



US00D596603S

(12) **United States Design Patent**  
**Tkachuk**

(10) **Patent No.:** **US D596,603 S**  
(45) **Date of Patent:** **\*\* Jul. 21, 2009**

(54) **MOBILE PHONE**

(75) Inventor: **Steven Tkachuk**, Los Angeles, CA (US)

(73) Assignee: **Samsung Electronics Co., Ltd.**,  
Suwon-Si (KR)

(\*\*) Term: **14 Years**

(21) Appl. No.: **29/318,914**

(22) Filed: **May 30, 2008**

(30) **Foreign Application Priority Data**

Feb. 4, 2008 (KR) ..... 30-2008-0005140

(51) **LOC (9) Cl.** ..... **14-03**

(52) **U.S. Cl.** ..... **D14/138 AA**

(58) **Field of Classification Search** ..... D14/137,  
D14/138 R, 138 AA, 138 AB, 138 AC, 138 AD,  
D14/138 C, 138 G, 147-148, 156, 191, 218,  
D14/247-248, 341-347, 390, 399, 455-456,  
D14/496; D26/208; D21/329, 331, 333,  
D21/517; 348/14.01-14.02; 361/814; 379/433.01-433.13;  
455/90.3, 556.1-556.2, 566, 575.1, 575.3,  
455/575.4; D13/164, 168; 439/165; 343/702;  
345/167, 168, 169; D10/65, 78, 104; D18/7

See application file for complete search history.

(56) **References Cited**

**U.S. PATENT DOCUMENTS**

D541,246 S \* 4/2007 Kim et al. .... D14/138 AA  
D552,584 S \* 10/2007 Lee ..... D14/138 AA  
D562,282 S \* 2/2008 Suk et al. .... D14/138 AA  
D573,573 S \* 7/2008 Jung et al. .... D14/138 AA  
D576,129 S \* 9/2008 Bjorninen ..... D14/138 AA  
D576,589 S \* 9/2008 Montin et al. .... D14/138 AA  
D576,993 S \* 9/2008 Park et al. .... D14/138 AA  
D578,101 S \* 10/2008 Park et al. .... D14/138 AA

D580,902 S \* 11/2008 Bolton et al. .... D14/138 R  
D581,893 S \* 12/2008 Kim et al. .... D14/138 AA  
D583,343 S \* 12/2008 Lee et al. .... D14/138 AA  
D584,712 S \* 1/2009 Okkonen ..... D14/138 AA  
2007/0294633 A1 \* 12/2007 Aarras et al. .... 715/781

**FOREIGN PATENT DOCUMENTS**

WO DM/069167 \* 7/2007

**OTHER PUBLICATIONS**

Nokia 3109, announced May 2007, <URL:http://www.gsmarena.com/nokia\_3109\_classic-pictures-1994.php>, retrieved from internet Mar. 3, 2009 5:39:31 PM.\*

Vodafone 226, announced Jul. 2007, <URL:http://www.gsmarena.com/vodafone\_226-pictures-2451.php>, retrieved from internet Mar. 3, 2009 5:43:10 PM.\*

\* cited by examiner

*Primary Examiner*—Ian Simmons

*Assistant Examiner*—Carla Wright

(74) *Attorney, Agent, or Firm*—Staas & Halsey LLP

(57) **CLAIM**

The ornamental design for a mobile phone, as shown and described.

**DESCRIPTION**

FIG. 1 is a perspective view of a mobile phone;  
FIG. 2 is a front view of the mobile phone of FIG. 1;  
FIG. 3 is a rear view of the mobile phone of FIG. 1;  
FIG. 4 is a left-side view of the mobile phone of FIG. 1;  
FIG. 5 is a right-side view of the mobile phone of FIG. 1;  
FIG. 6 is a top plan view of the mobile phone of FIG. 1; and,  
FIG. 7 is a bottom plan view of the mobile phone of FIG. 1.

**1 Claim, 4 Drawing Sheets**

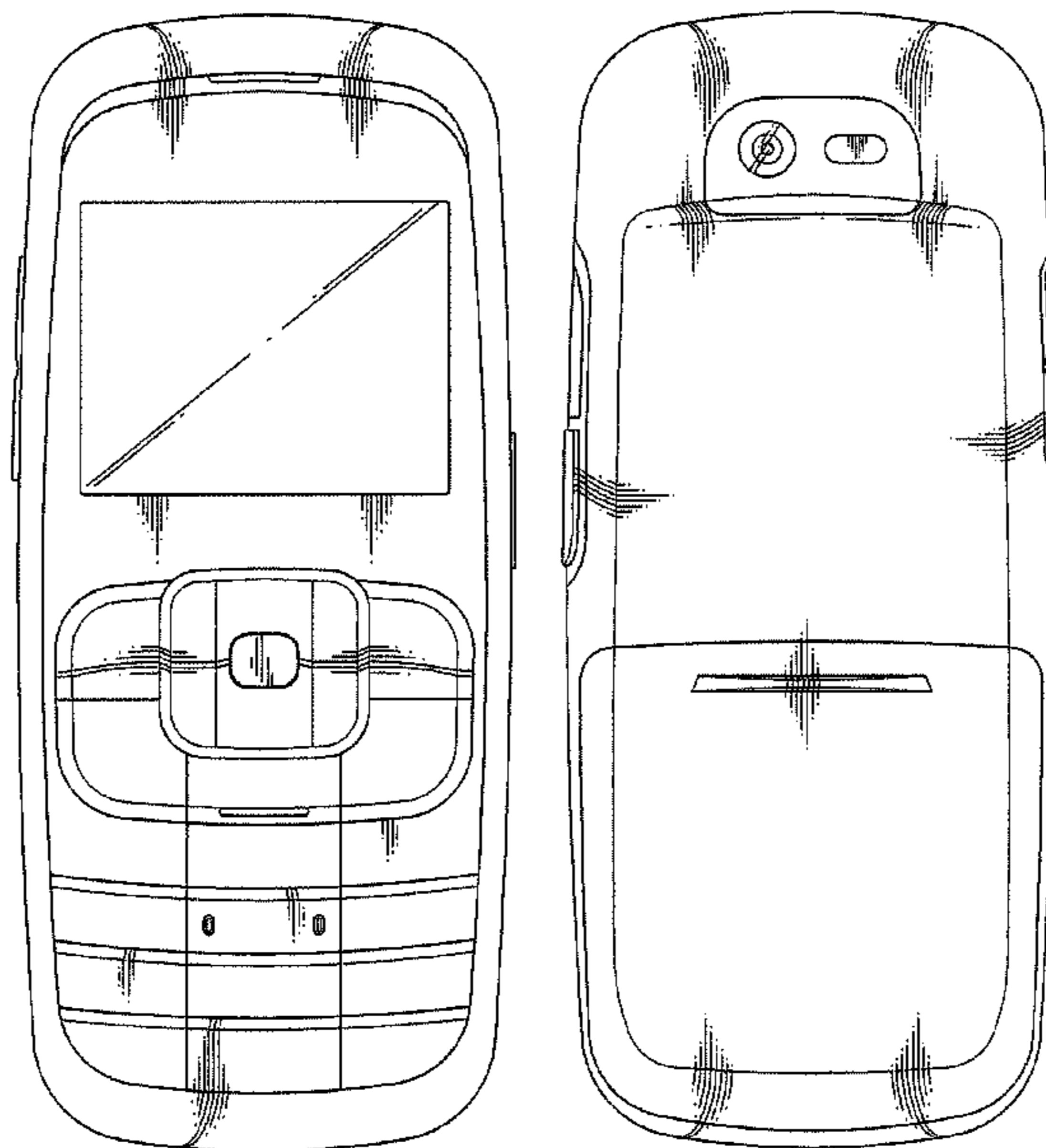


FIG. 1

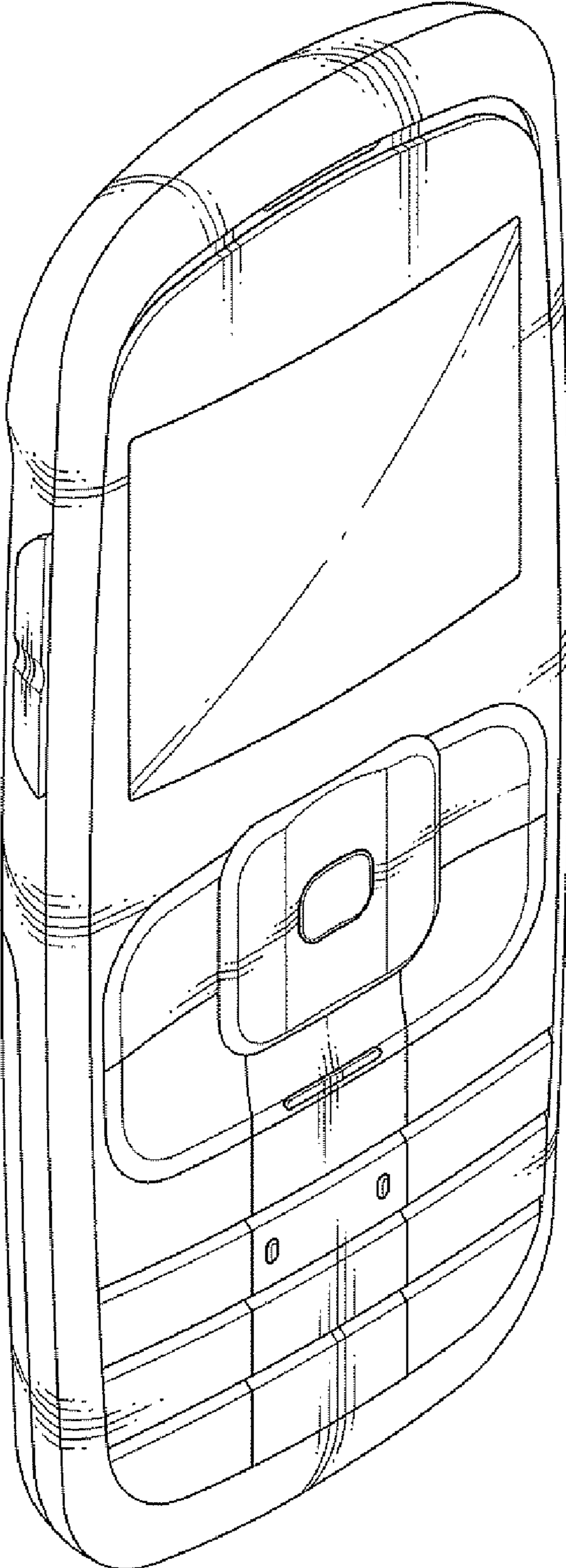


FIG. 2

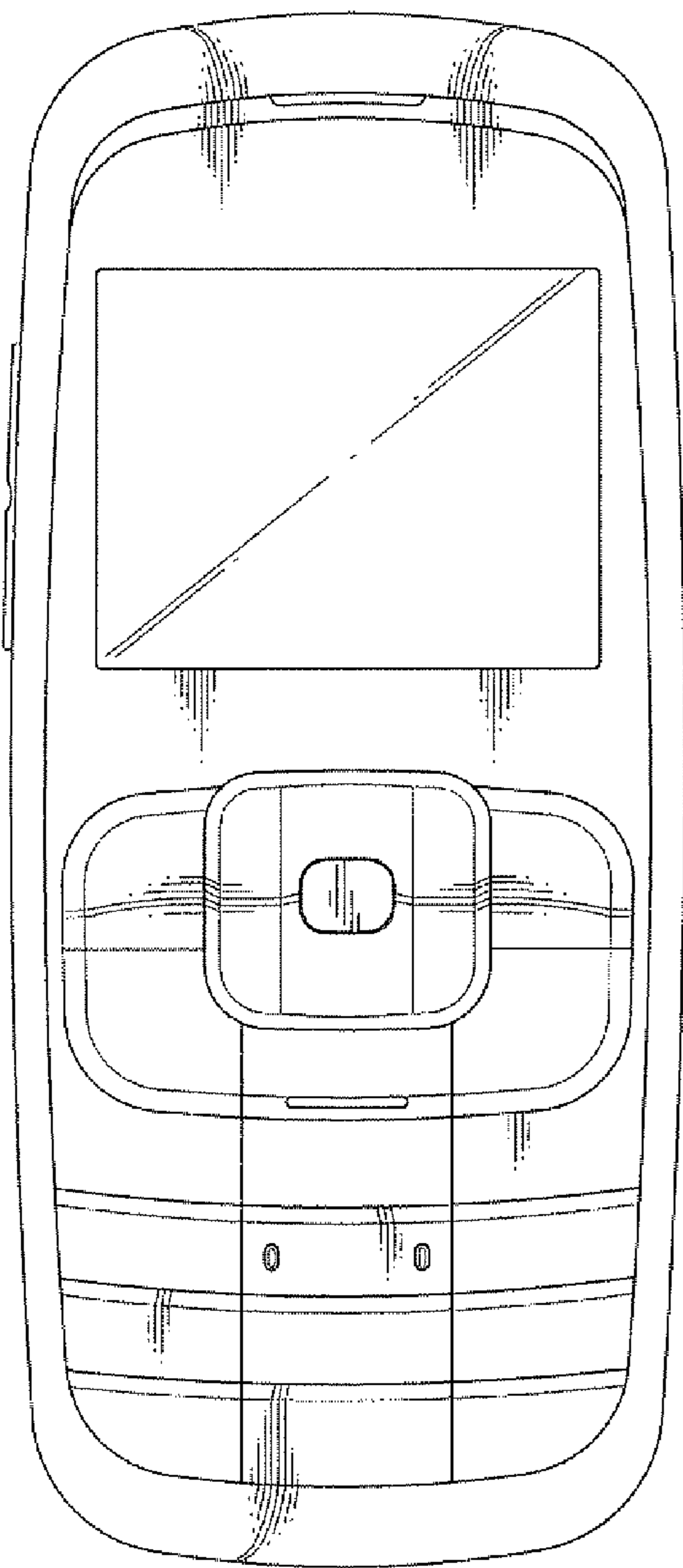


FIG. 3

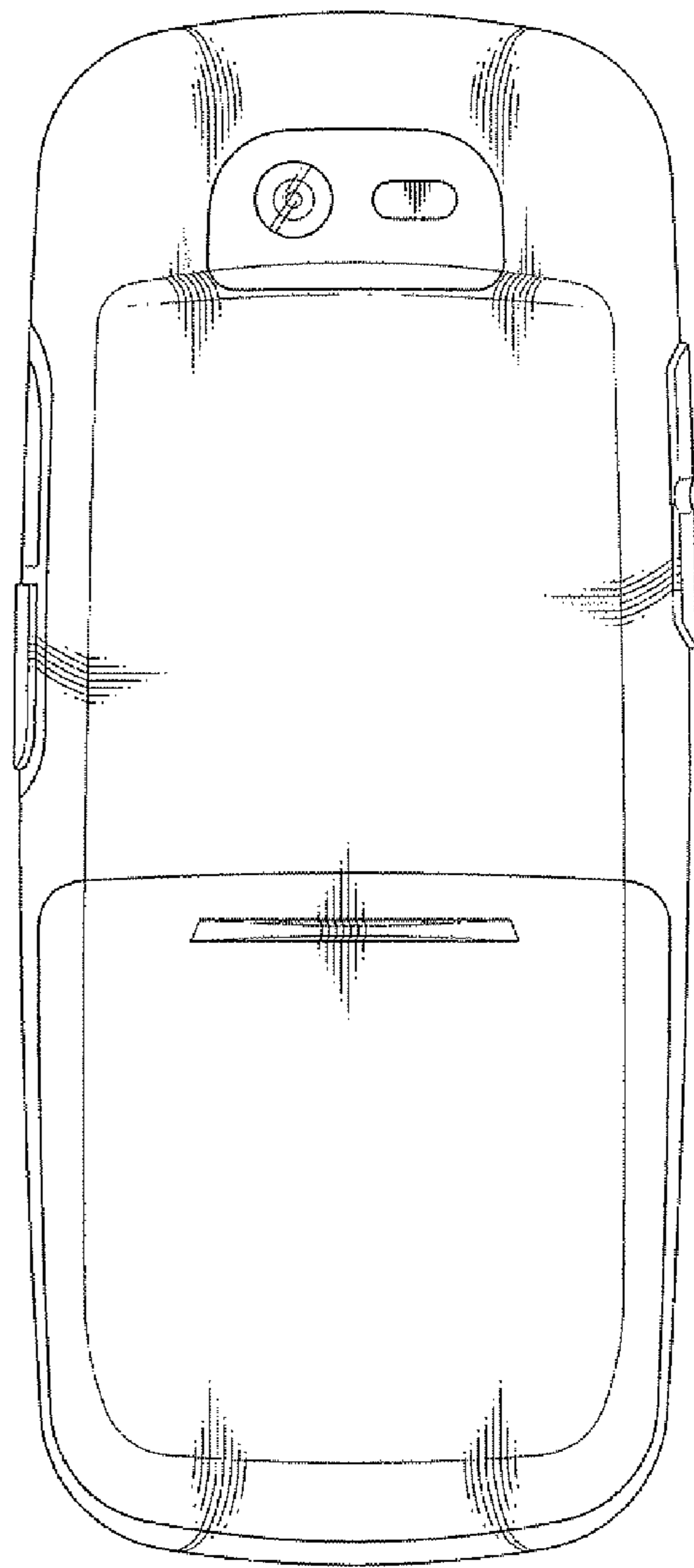


FIG. 4

FIG. 5

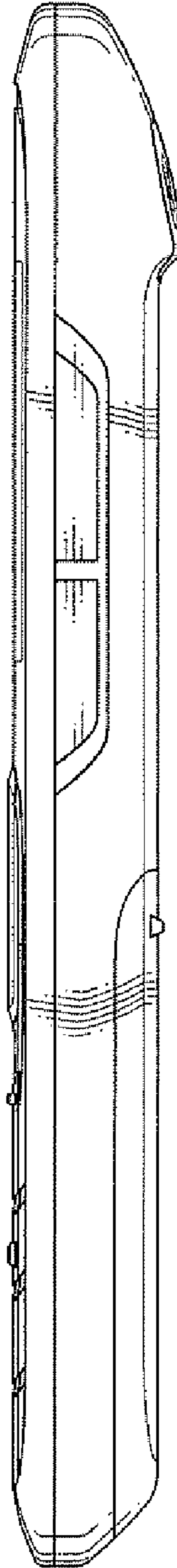


FIG. 6

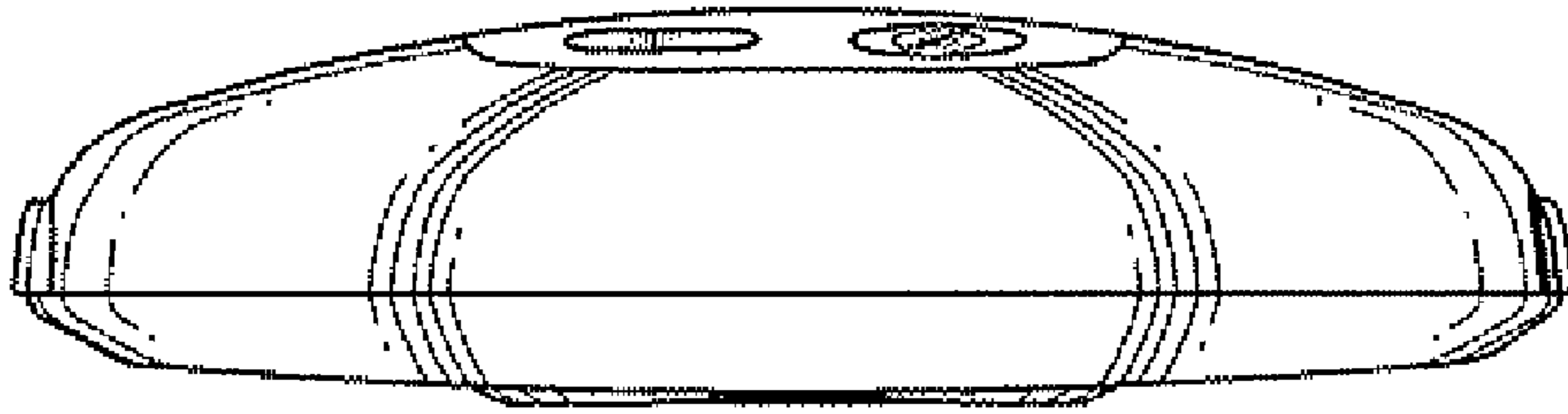


FIG. 7

