



US00D596600S

(12) **United States Design Patent**
Wun et al.

(10) **Patent No.:** **US D596,600 S**
(45) **Date of Patent:** **** Jul. 21, 2009**

(54) **DUAL DISPLAY HAND-HELD ELECTRONIC DEVICE**

D586,802 S * 2/2009 Wun et al. D14/345
D587,264 S * 2/2009 Griffin et al. D14/346
2008/0293459 A1* 11/2008 Wang 455/575.3

(75) Inventors: **Archer Chi Kwong Wun**, North York (CA); **Kwok Ching Leung**, Richmond Hill (CA); **Todd Andrew Wood**, Guelph (CA)

OTHER PUBLICATIONS

Samsung Z510 telephone, announced 4th quarter 2005, [online], [site visited Mar. 17, 2009]. Available from Internet ,<URL: <http://www.gsmarena.com>>.*

(73) Assignee: **Research In Motion Limited**, Waterloo (CA)

Blackberry Pearl Flip 8220 telephone, announced Sep. 2008, [online], [site visited Mar. 17, 2009]. Available from Internet ,<URL: <http://www.gsmarena.com>>.*

(**) Term: **14 Years**

Blackberry Pearl Flip 8100 telephone, announced Sep. 2006, [online], [site visited Mar. 17, 2009]. Available from Internet ,<URL: <http://www.gsmarena.com>>.*

(21) Appl. No.: **29/303,720**

NEC e373 telephone, announced May 2006, [online], [site visited Mar. 17, 2009]. Available from Internet ,<URL: <http://www.gsmarena.com>>.*

(22) Filed: **Feb. 15, 2008**

(51) **LOC (9) Cl.** **14-03**

(52) **U.S. Cl.** **D14/138 AB**

(58) **Field of Classification Search** D14/138 AB,
D14/138 R, 496, 203.1–203.7, 341–347,
D14/138 G, 138 AD; 455/575.3

i-mate Ultimate 9150 telephone, announced Feb. 2007, [online], [site visited Mar. 17, 2009]. Available from Internet ,<URL: <http://www.gsmarena.com>>.*

See application file for complete search history.

NEC e636 telephone, announced Feb. 2006, [online], [site visited Mar. 17, 2009]. Available from Internet ,<URL: <http://www.gsmarena.com>>.*

* cited by examiner

(56) **References Cited**

U.S. PATENT DOCUMENTS

Primary Examiner—Jeffrey D Asch

D516,547 S * 3/2006 Tyneski et al. D14/247
D523,007 S * 6/2006 Corley et al. D14/247
D536,689 S * 2/2007 Suzuki et al. D14/138 AB
D548,218 S * 8/2007 Hong et al. D14/138 AA
D554,094 S * 10/2007 Ribeiro et al. D14/138 AB
D556,749 S * 12/2007 Rak et al. D14/346
D560,634 S * 1/2008 Lee D14/138 AB
D561,717 S * 2/2008 Park et al. D14/138 AB
D563,351 S * 3/2008 Baik et al. D14/138 AB
D563,358 S * 3/2008 Baik et al. D14/138 AB
D566,082 S * 4/2008 Kim et al. D14/138 AB
D566,083 S * 4/2008 Kim et al. D14/138 AB
D569,826 S * 5/2008 Griffin et al. D14/138 AB
D574,352 S * 8/2008 Cha et al. D14/138 AB
D576,130 S * 9/2008 Kim et al. D14/138 AB
D576,137 S * 9/2008 Jeon et al. D14/138 AB
D579,895 S * 11/2008 Yoshihara et al. D14/138 R
D579,908 S * 11/2008 Chen D14/138 R
D585,410 S * 1/2009 Lee et al. D14/138 AB
D585,412 S * 1/2009 Kim et al. D14/138 AB
D586,313 S * 2/2009 Lu D14/138 AB
D586,775 S * 2/2009 Lu D14/138 AB

(57) **CLAIM**

We claim the ornamental design for a dual display hand-held electronic device, as shown and described.

DESCRIPTION

FIG. 1 is a front perspective view of a dual screen hand-held electronic device;

FIG. 2 is a back perspective view of a dual screen hand-held electronic device;

FIG. 3 is a front plan view thereof;

FIG. 4 is a back plan view thereof;

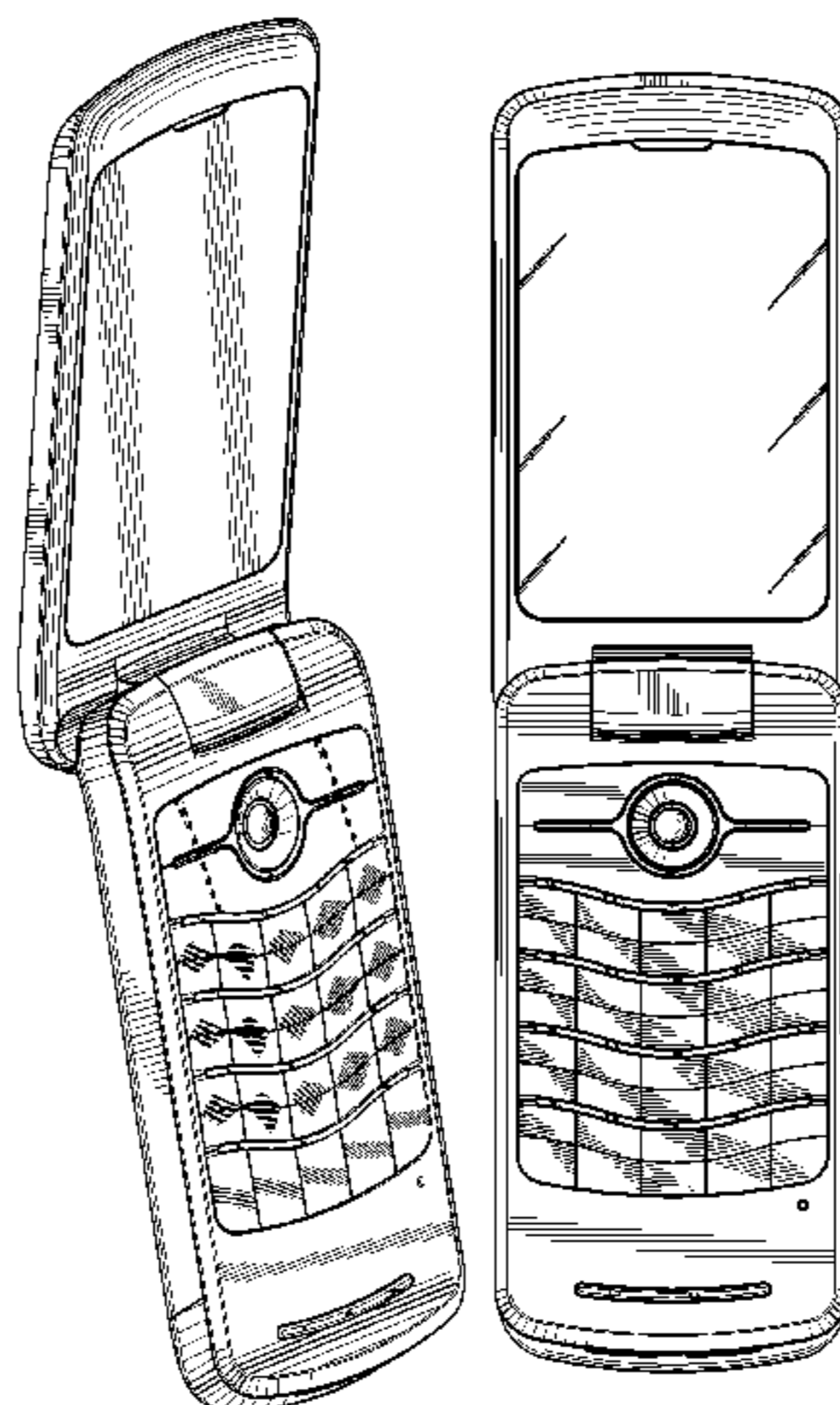
FIG. 5 is a right elevational view thereof;

FIG. 6 is a left elevational view thereof;

FIG. 7 is a bottom plan view thereof; and,

FIG. 8 is a top plan view thereof.

1 Claim, 6 Drawing Sheets



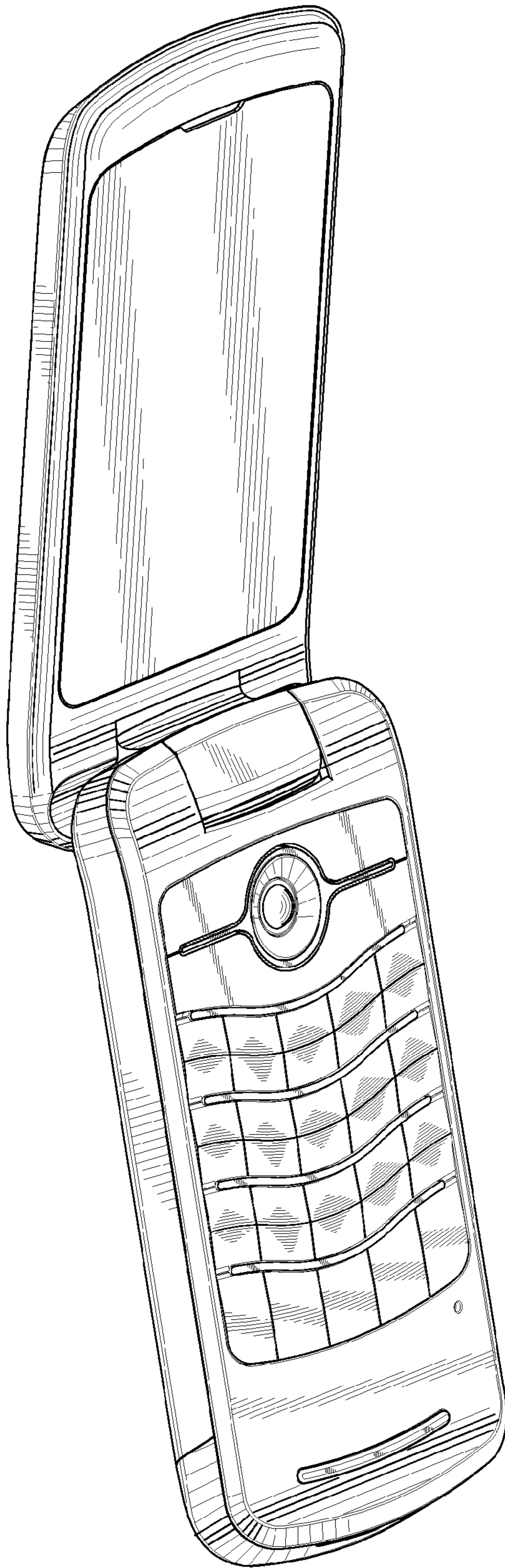


FIG.1

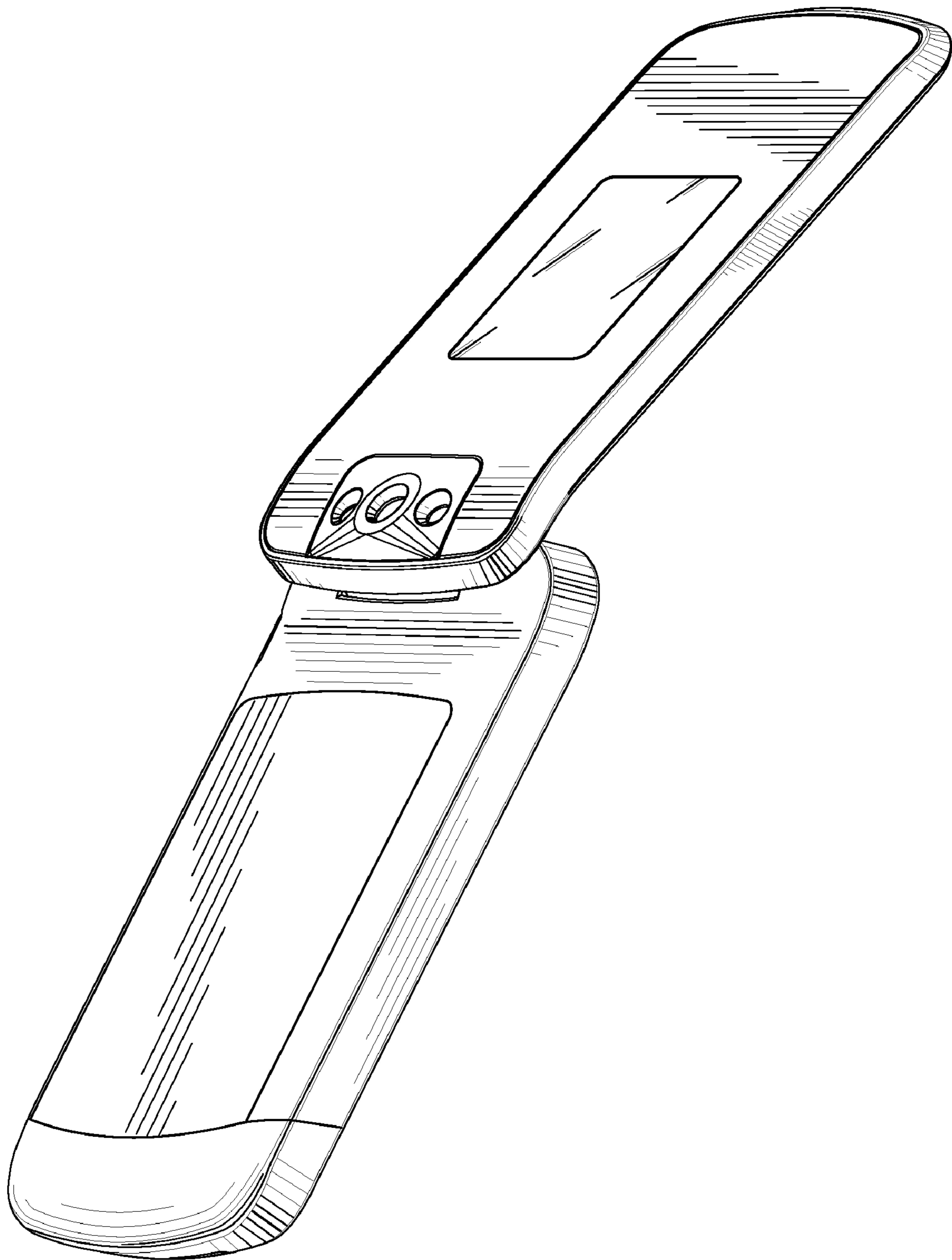


FIG.2

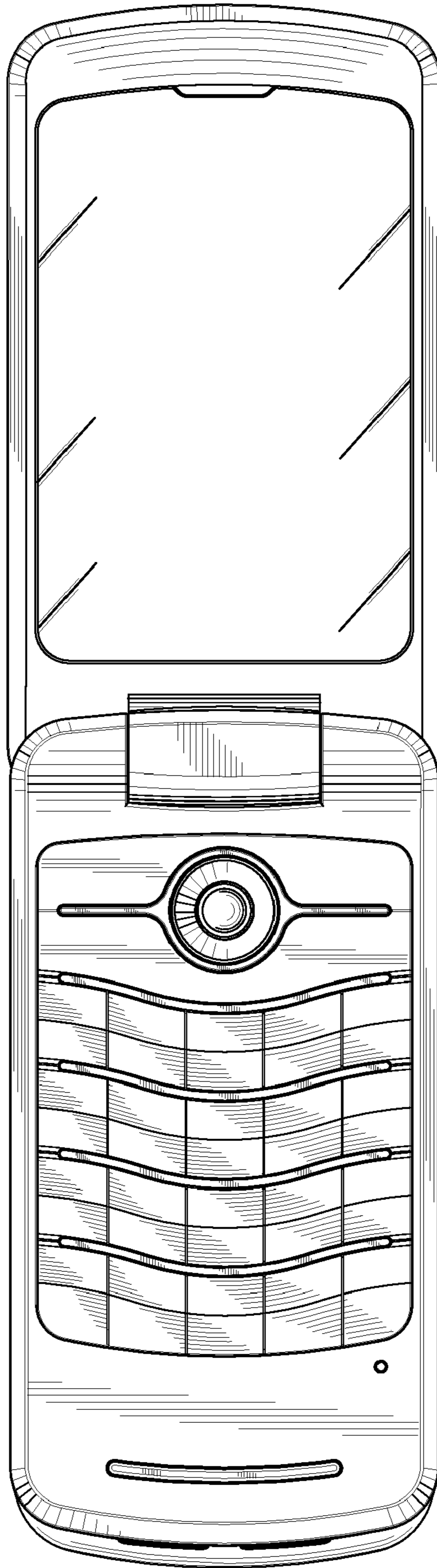


FIG.3

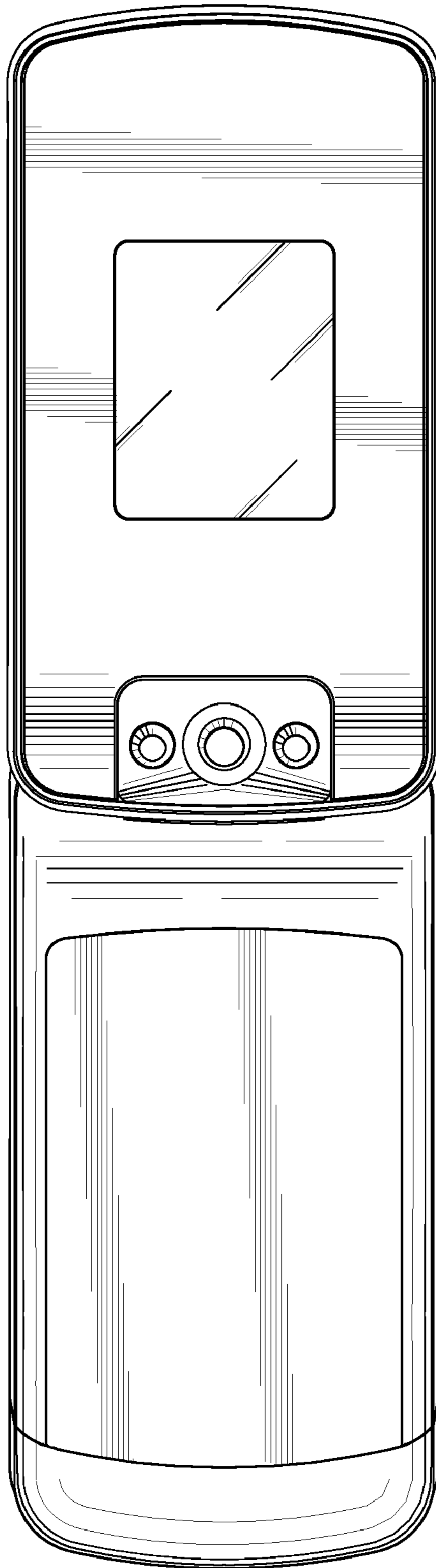


FIG.4

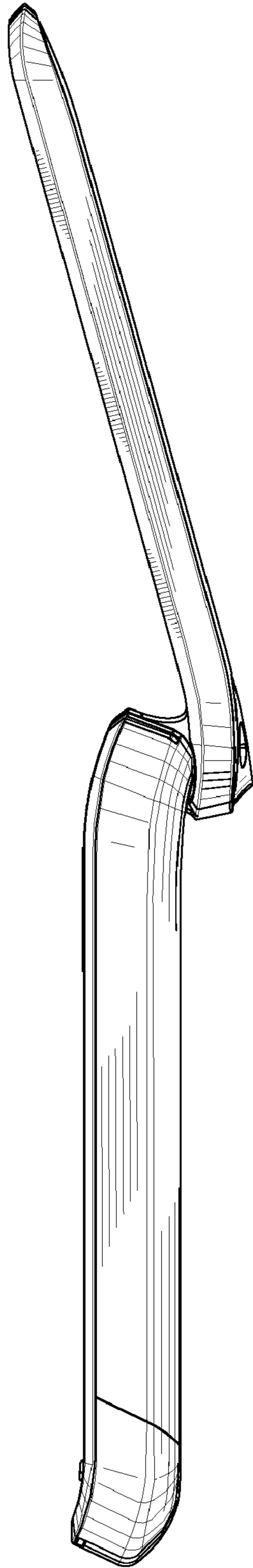


FIG. 5

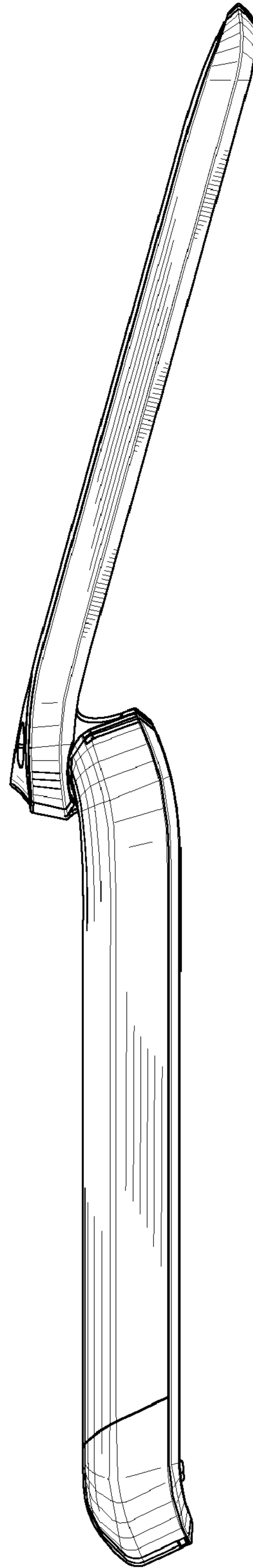


FIG. 6

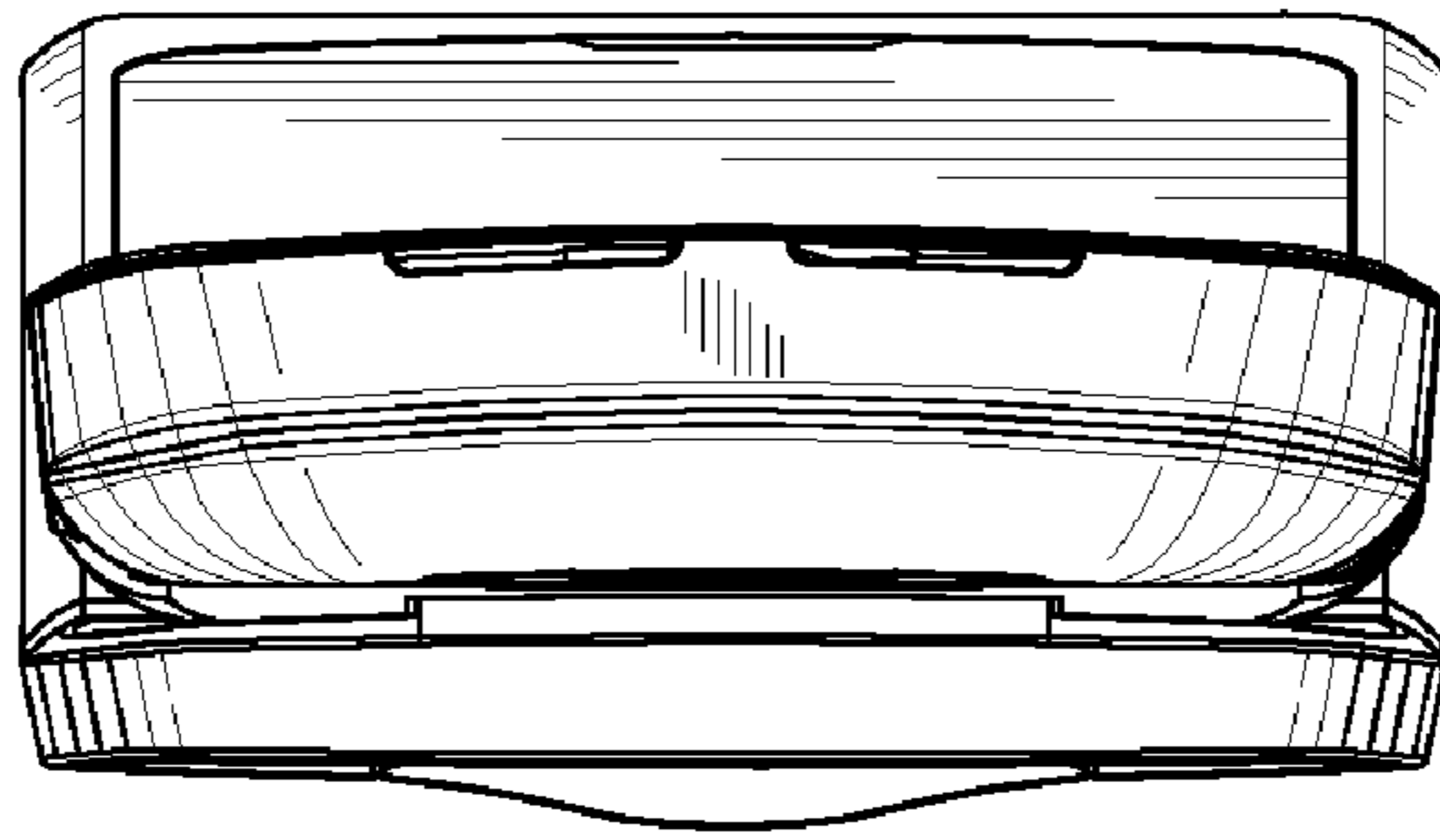


FIG. 7

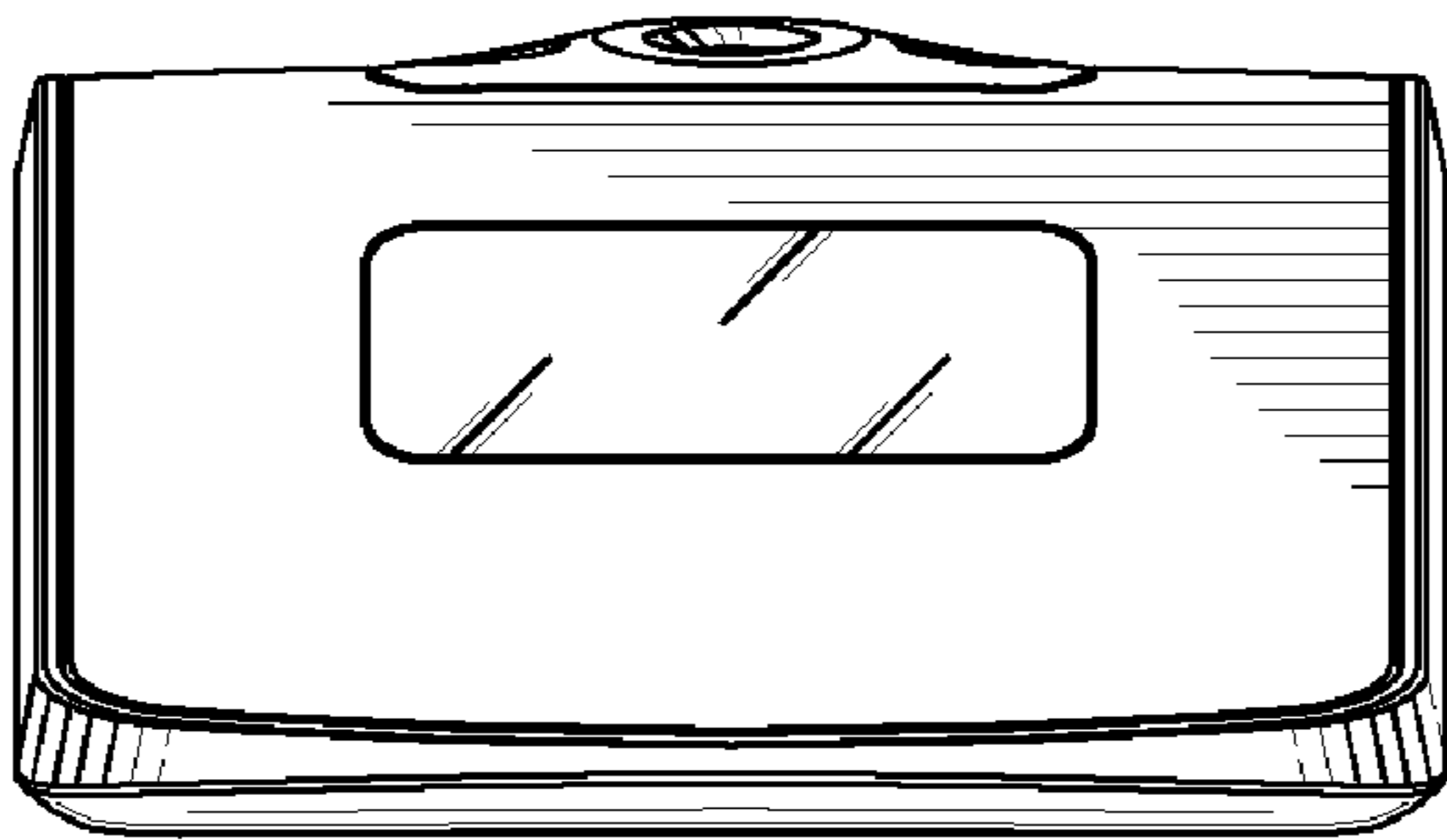


FIG. 8