

US00D596596S

(12) **United States Design Patent**
Honda

(10) **Patent No.:** **US D596,596 S**
(45) **Date of Patent:** **** Jul. 21, 2009**

(54) **TELEVISION SET**

(75) Inventor: **Tatsuya Honda**, Yokohama (JP)

(73) Assignee: **Kabushiki Kaisha Toshiba**, Tokyo (JP)

(**) Term: **14 Years**

(21) Appl. No.: **29/331,680**

(22) Filed: **Jan. 30, 2009**

(30) **Foreign Application Priority Data**

Nov. 21, 2008 (JP) 2008-030047

(51) **LOC (9) Cl.** **14-03**

(52) **U.S. Cl.** **D14/126**

(58) **Field of Classification Search** D14/125-134,
D14/239, 371, 136, 374-377, 440, 450, 448,
D14/336, 342; 312/7.2; 348/836, 838, 180,
348/184, 325, 739; 341/12; 248/917-924,
248/465; 345/104, 133, 156, 168, 87, 173;
720/605, 669, 600, 655; 369/99, 197; 455/344,
455/347; D21/329, 515, 577, 622, 333, 433,
D21/448, 452, 450, 331; D6/477, 479, 300;
273/148 B; 446/484, 175, 356; D10/15,
D10/26

See application file for complete search history.

(56) **References Cited**

U.S. PATENT DOCUMENTS

D432,103 S * 10/2000 Mitsuhashi et al. D14/126
D484,471 S * 12/2003 Lin et al. D14/126
D525,953 S * 8/2006 Anzures D14/126
D535,265 S * 1/2007 Inoue D14/126
D563,336 S * 3/2008 Shih et al. D14/126

D564,468 S * 3/2008 Yoshimura D14/126
D571,748 S * 6/2008 Ellison D14/126
D580,384 S * 11/2008 Katayama et al. D14/126
D581,378 S * 11/2008 Chiu D14/126
D584,258 S * 1/2009 Yang et al. D14/126
D586,769 S * 2/2009 Kita D14/126

FOREIGN PATENT DOCUMENTS

CN ZL200730132218.3 2/2008
JP 1007923 4/1998
JP D1221062 10/2004
JP D1294130 2/2007
JP D1332407 6/2008
KR 30-0410248 3/2006
KR 30-0426073 9/2006

* cited by examiner

Primary Examiner—Raphael Barkai

(74) *Attorney, Agent, or Firm*—Banner & Witcoff, Ltd.

(57) **CLAIM**

The ornamental design for a television set, as shown and described.

DESCRIPTION

FIG. 1 is a front, top and right side perspective view of a television set, showing my new design;

FIG. 2 is a front elevational view thereof;

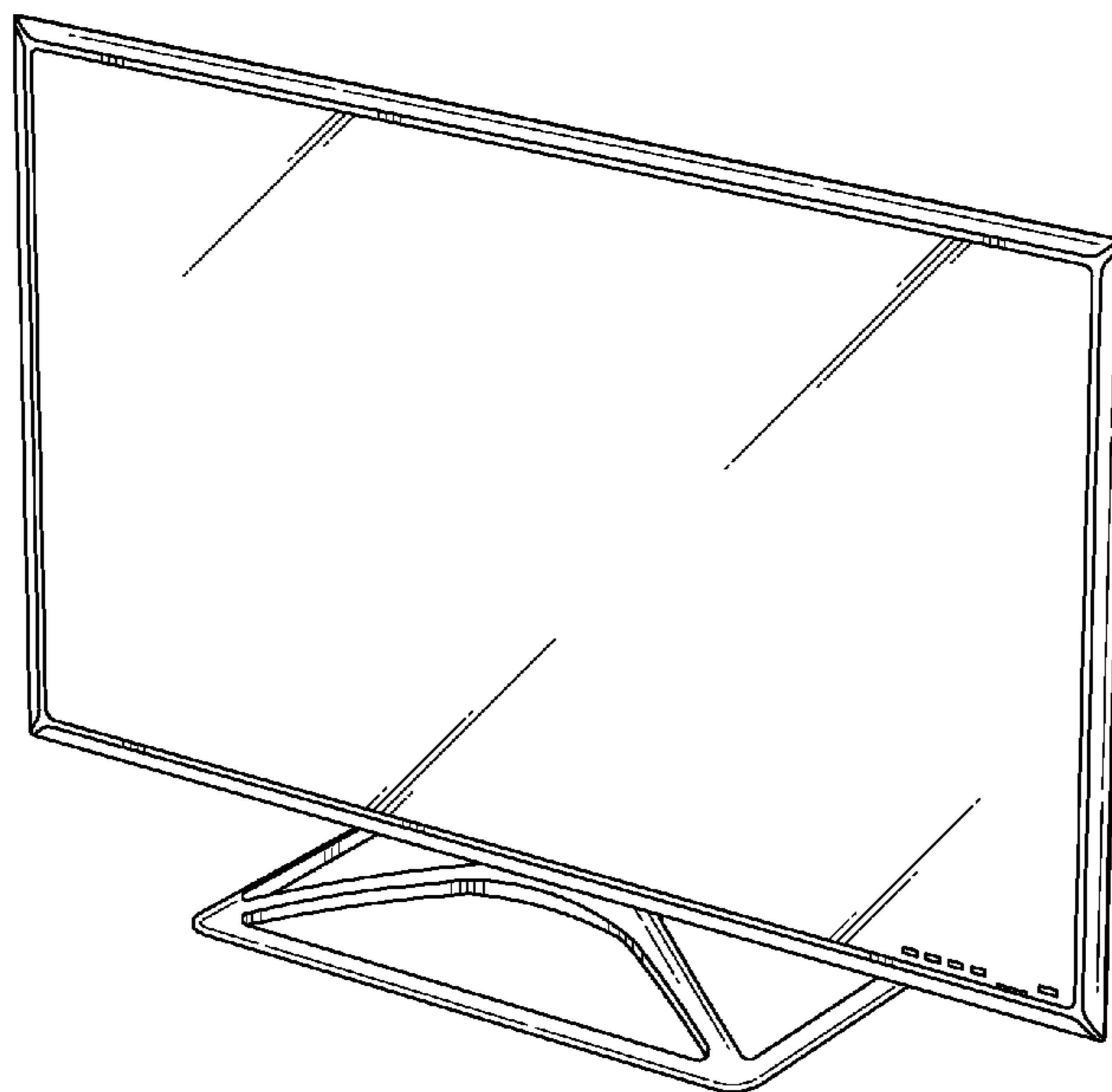
FIG. 3 is a rear elevational view thereof;

FIG. 4 is a top plan view thereof;

FIG. 5 is a bottom plan view thereof; and,

FIG. 6 is a right side elevational view thereof; and the opposite side being a mirror image thereof.

1 Claim, 3 Drawing Sheets



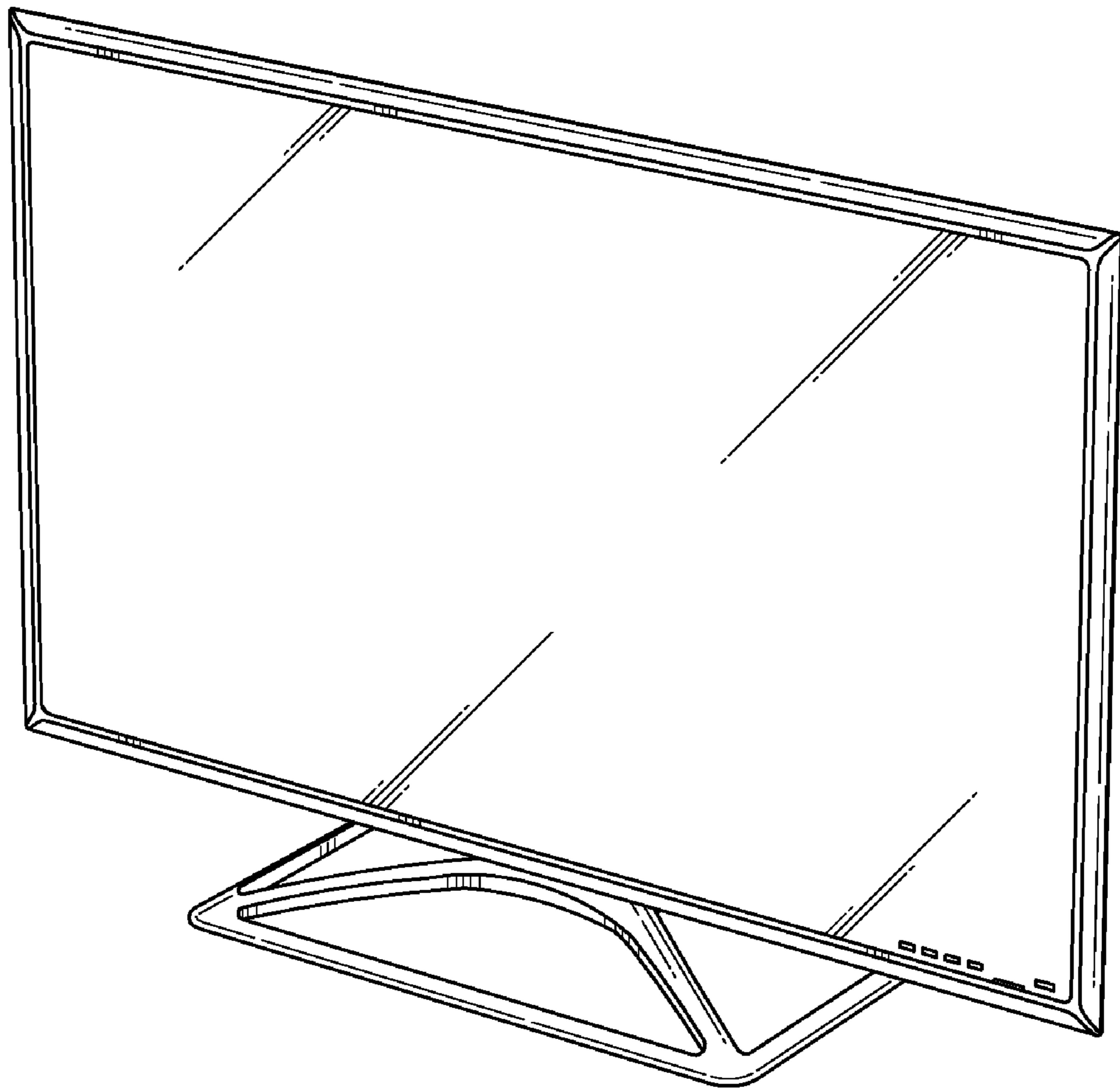


FIG.1

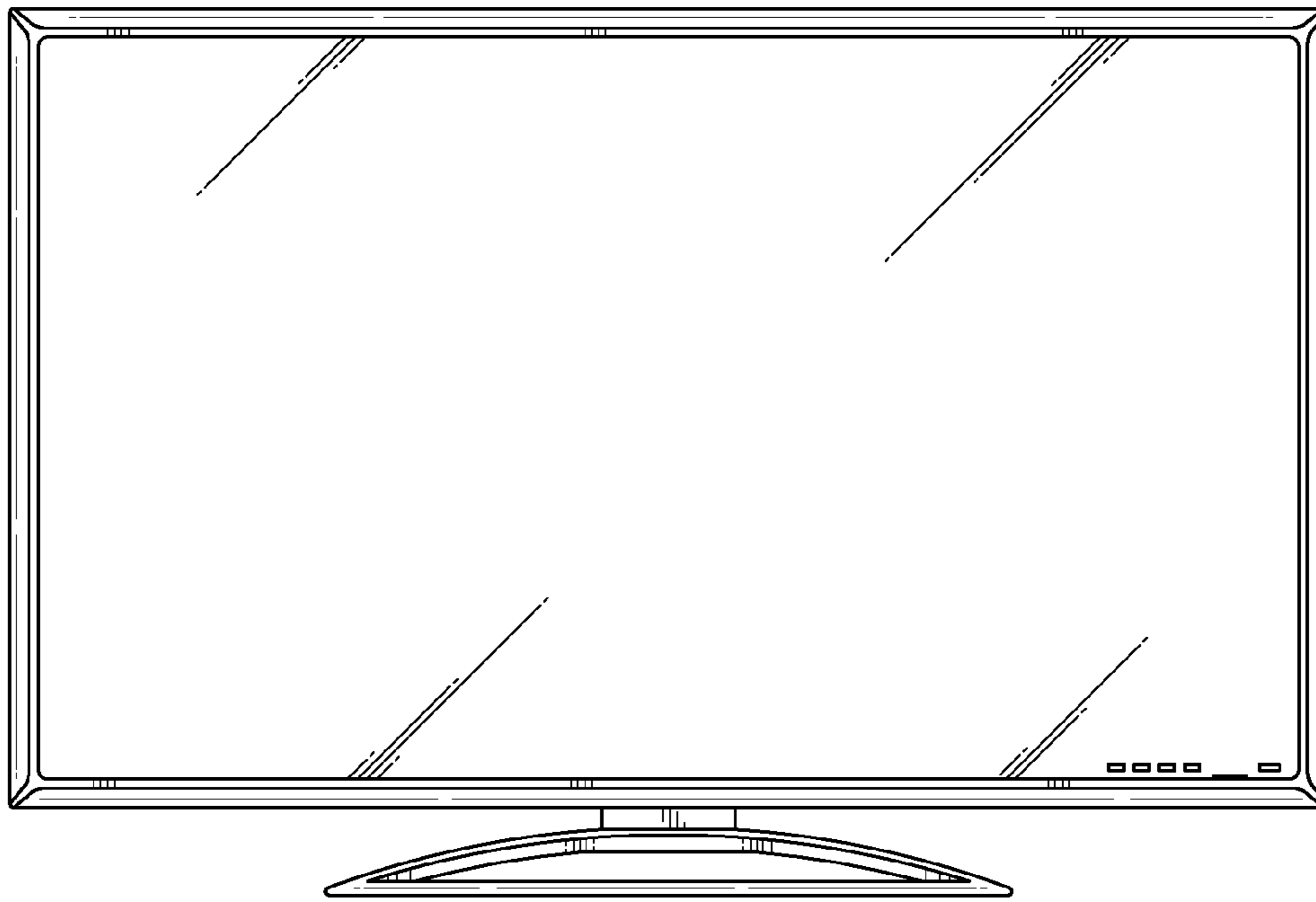


FIG.2

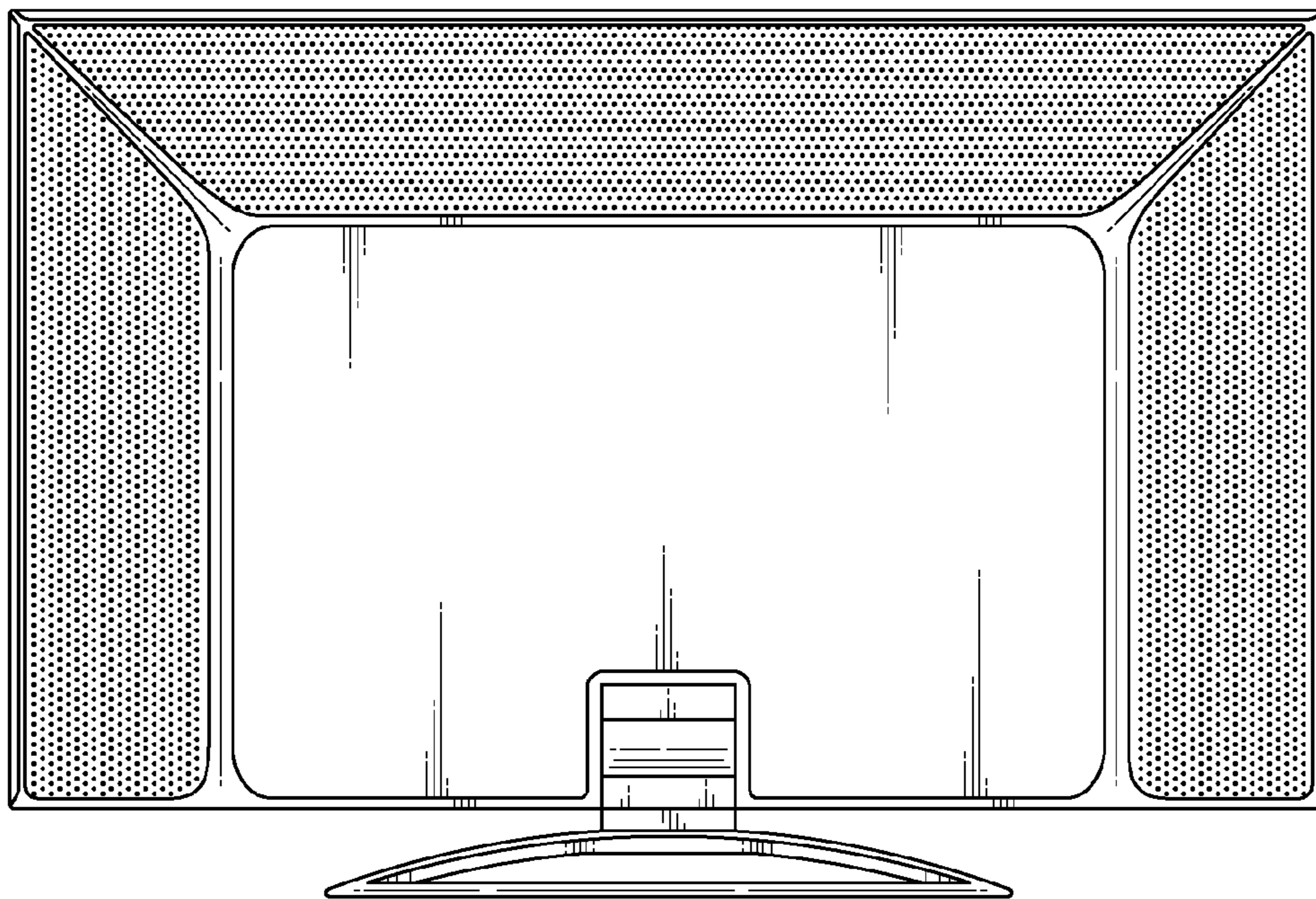


FIG.3

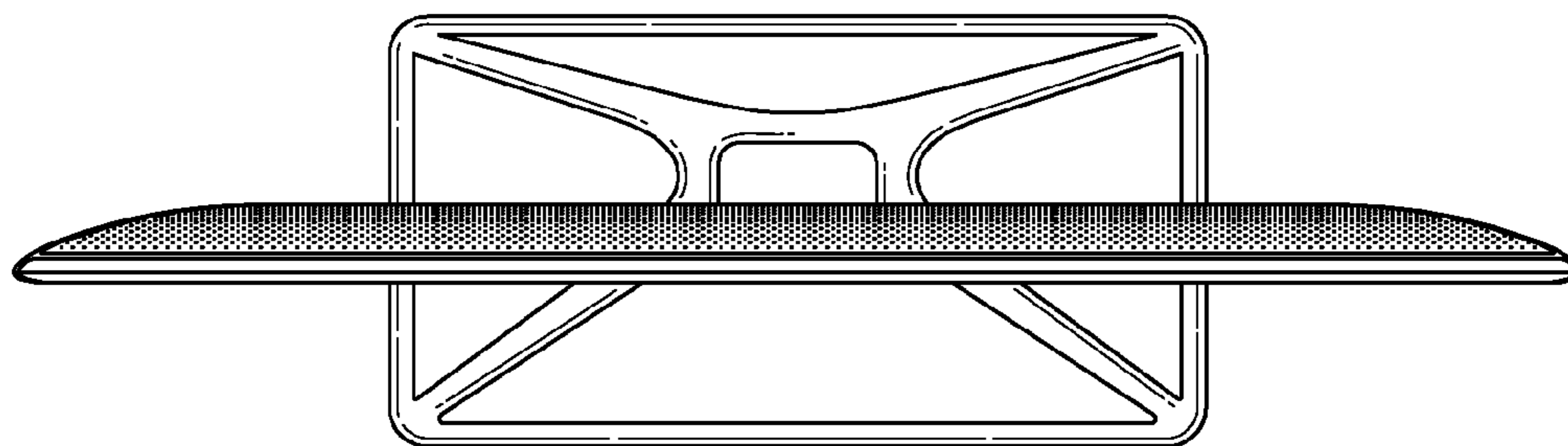


FIG. 4

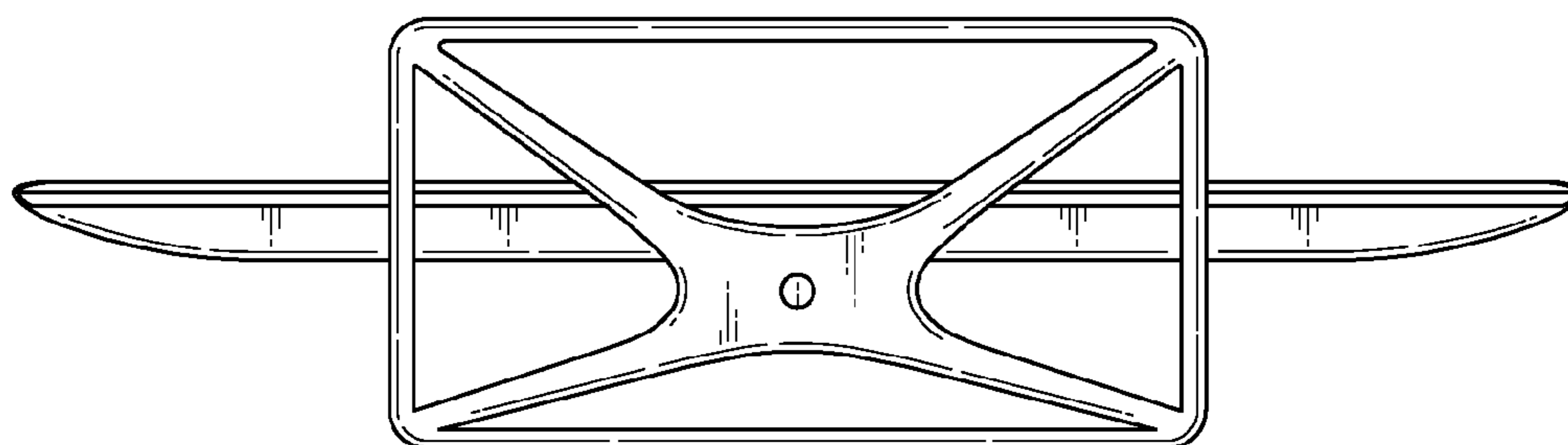


FIG. 5

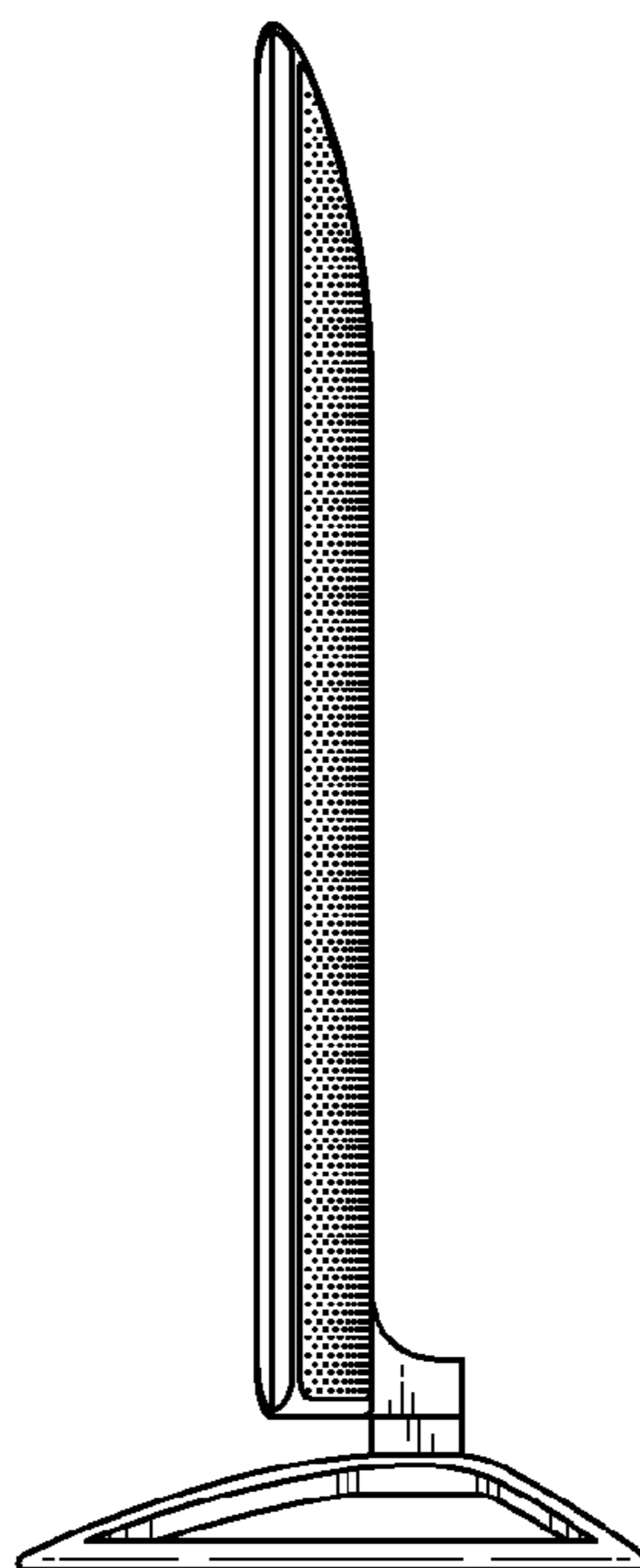


FIG. 6