



US00D596593S

(12) **United States Design Patent**
Yong et al.

(10) **Patent No.:** **US D596,593 S**
(45) **Date of Patent:** **** Jul. 21, 2009**

(54) **LIGHT EMITTING DIODE**

(75) Inventors: **Lig Yi Yong**, Penang (MY); **Kum Soon Wong**, Kuala Lumpur (MY); **Kean Loo Keh**, Gelugor (MY)

(73) Assignee: **Avago Technologies ECBU IP (Singapore) Pte. Ltd.**, Singapore (SG)

(**) Term: **14 Years**

(21) Appl. No.: **29/324,114**

(22) Filed: **Sep. 5, 2008**

(51) **LOC (9) Cl.** **13-03**

(52) **U.S. Cl.** **D13/180**

(58) **Field of Classification Search** D13/180;
D26/2; 257/79, 80, 81, 88, 89, 95, 98, 99,
257/100; 313/483, 498, 500; 362/555, 800
See application file for complete search history.

(56) **References Cited**

U.S. PATENT DOCUMENTS

D491,897 S * 6/2004 Kamada D13/180
D534,504 S * 1/2007 Kim et al. D13/180
7,262,438 B2 * 8/2007 Mok et al. 257/98
7,321,161 B2 * 1/2008 Teixeira et al. 257/675
D576,569 S * 9/2008 Chen et al. D13/180

D579,424 S * 10/2008 Kim et al. D13/180
2007/0063321 A1 * 3/2007 Han et al. 257/675
2007/0262328 A1 * 11/2007 Bando 257/79
2008/0001160 A1 * 1/2008 Andrews 257/79
2008/0099775 A1 * 5/2008 Yu et al. 257/98
2008/0203412 A1 * 8/2008 Shyu et al. 257/98
2008/0266869 A1 * 10/2008 Tai et al. 362/294

* cited by examiner

Primary Examiner—Selina Sikder

(57) **CLAIM**

The ornamental design of a light emitting diode, as shown and described.

DESCRIPTION

FIG. 1 is a top, front, right isometric view of a light emitting diode showing an embodiment of our new design;

FIG. 2 is a bottom, front, left isometric view thereof;

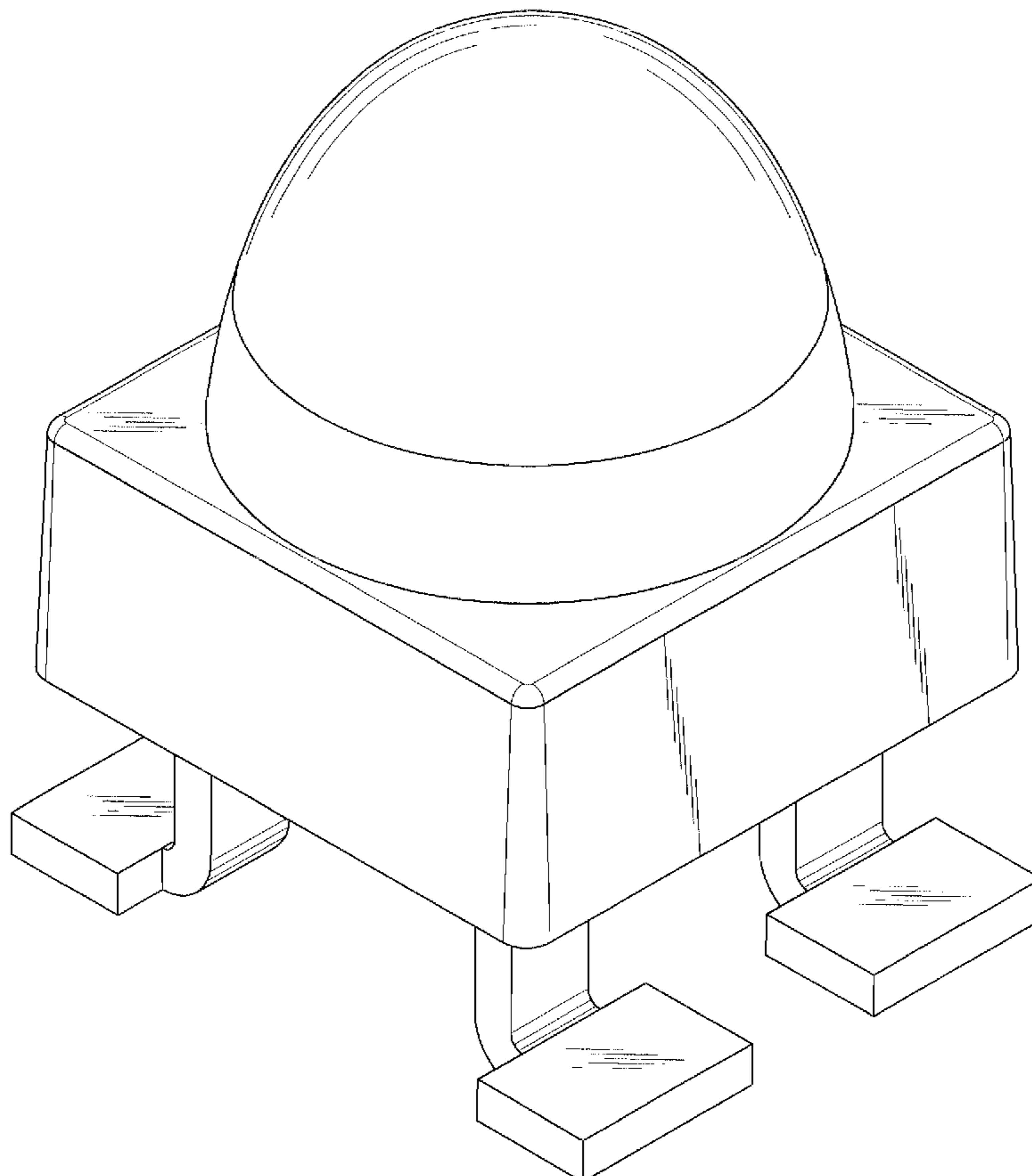
FIG. 3 is a top plan view thereof;

FIG. 4 is a bottom plan view thereof;

FIG. 5 is a front elevation view thereof, the rear elevation view being identical thereto; and,

FIG. 6 is a left elevation view thereof, the right elevation view being a mirror image thereof.

1 Claim, 6 Drawing Sheets



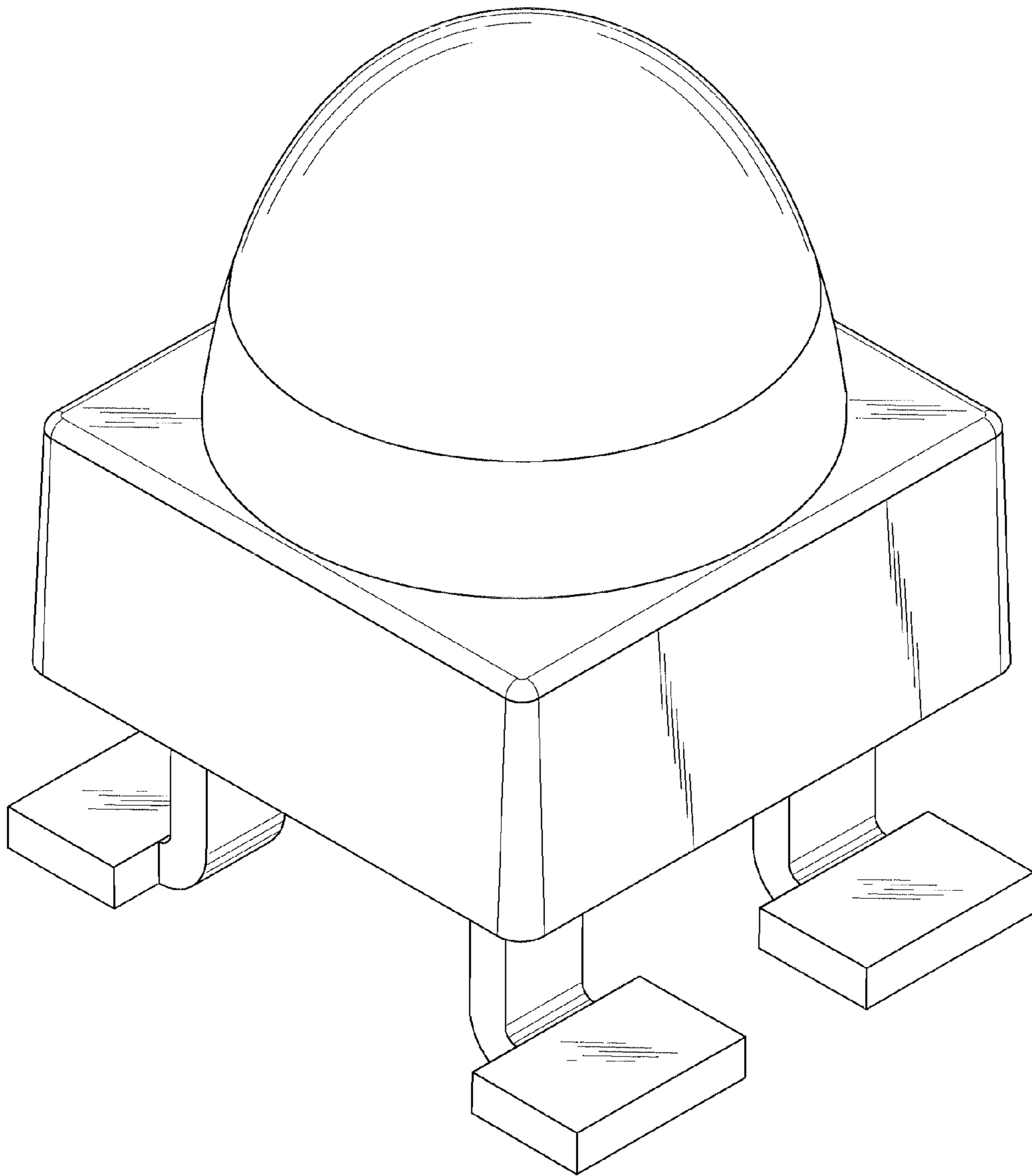


FIG. 1

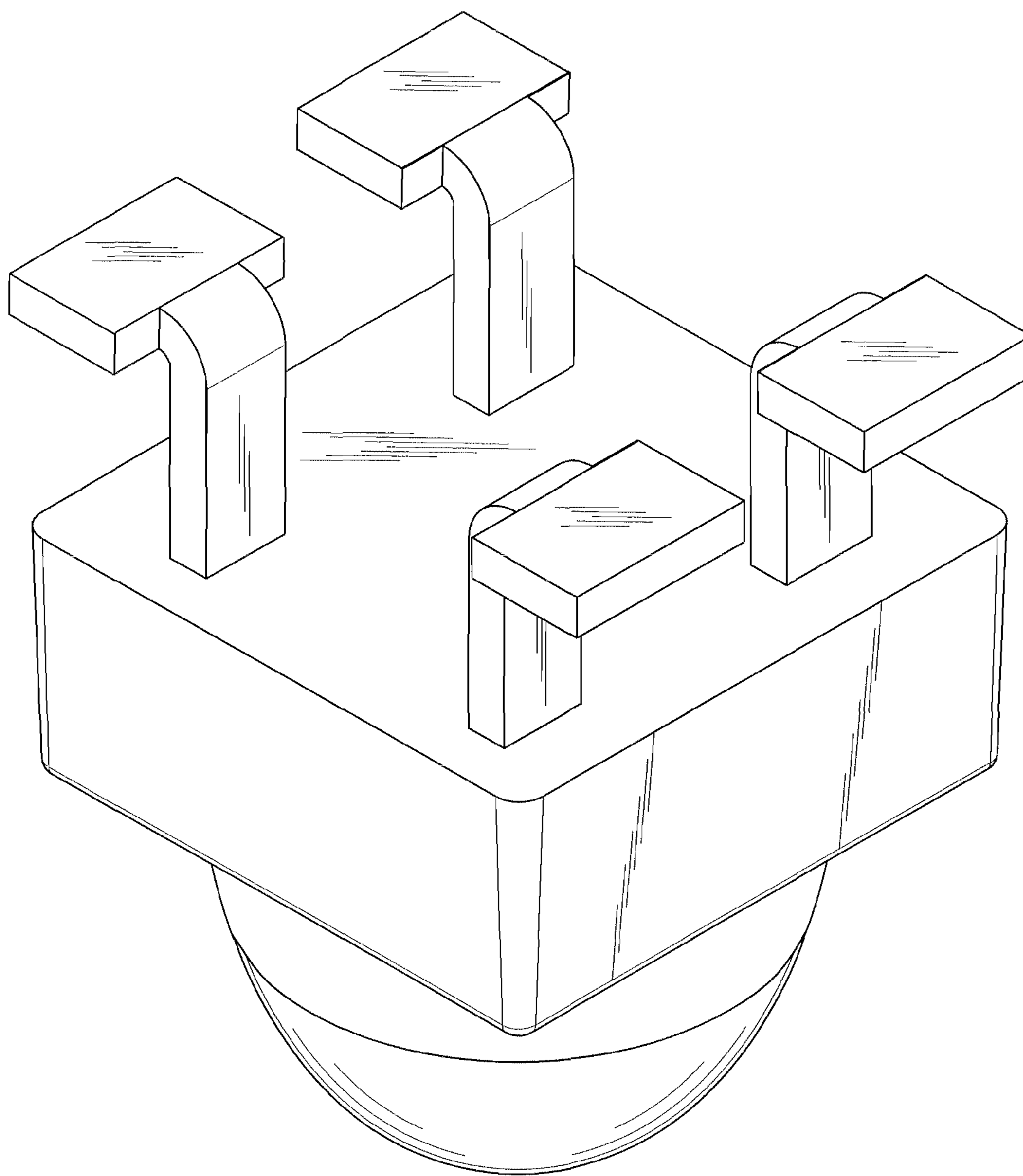


FIG. 2

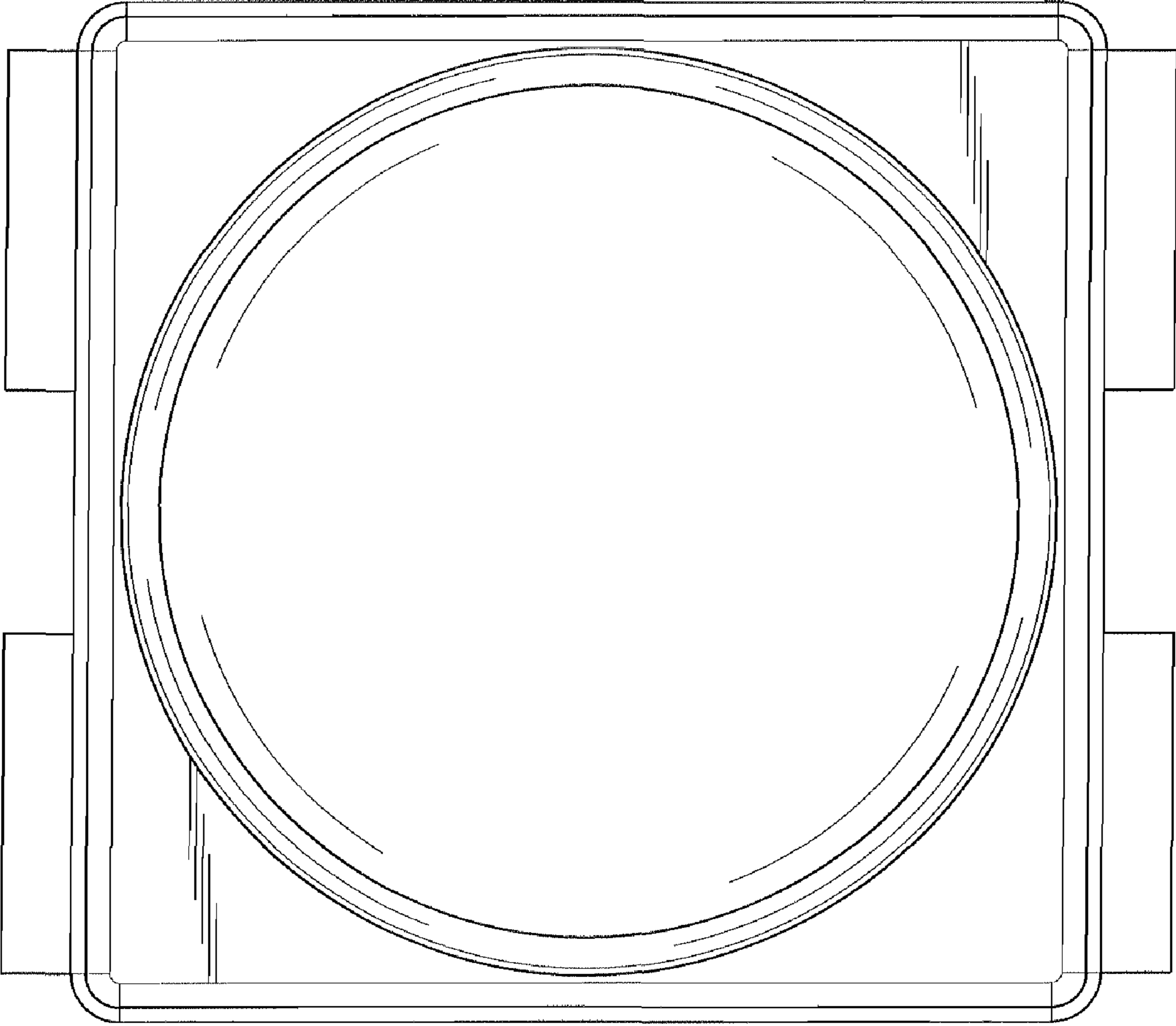


FIG. 3

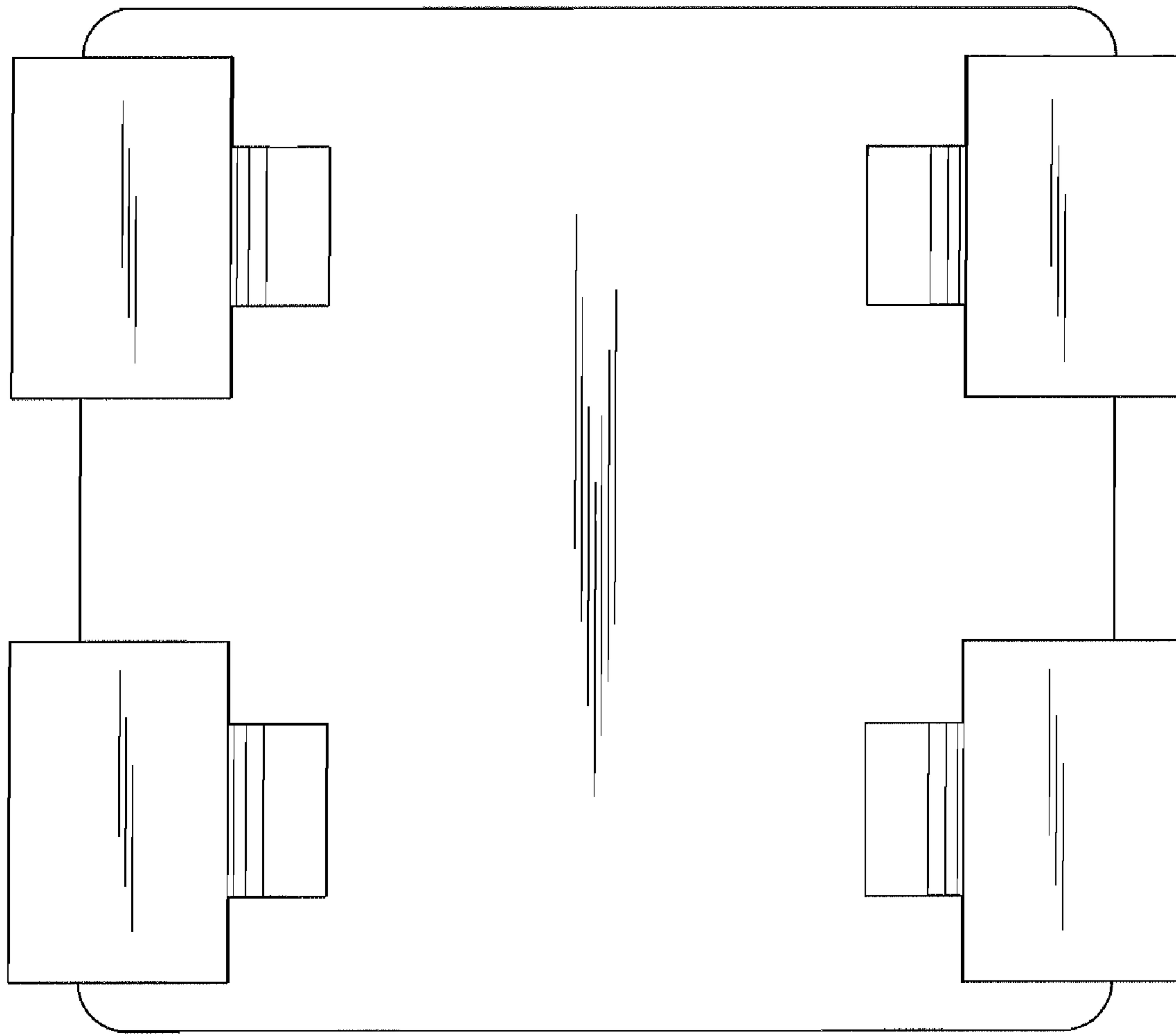


FIG. 4

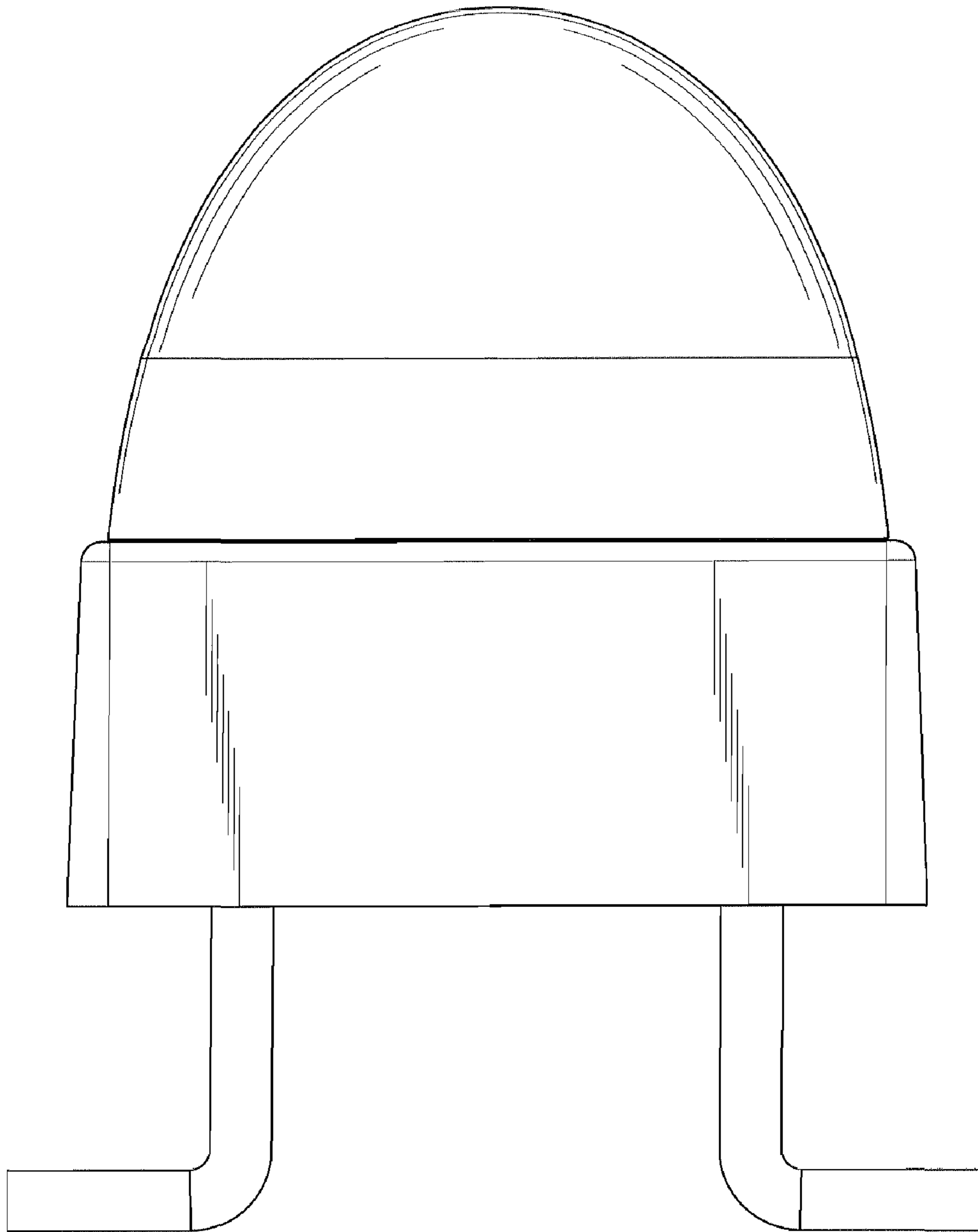


FIG. 5

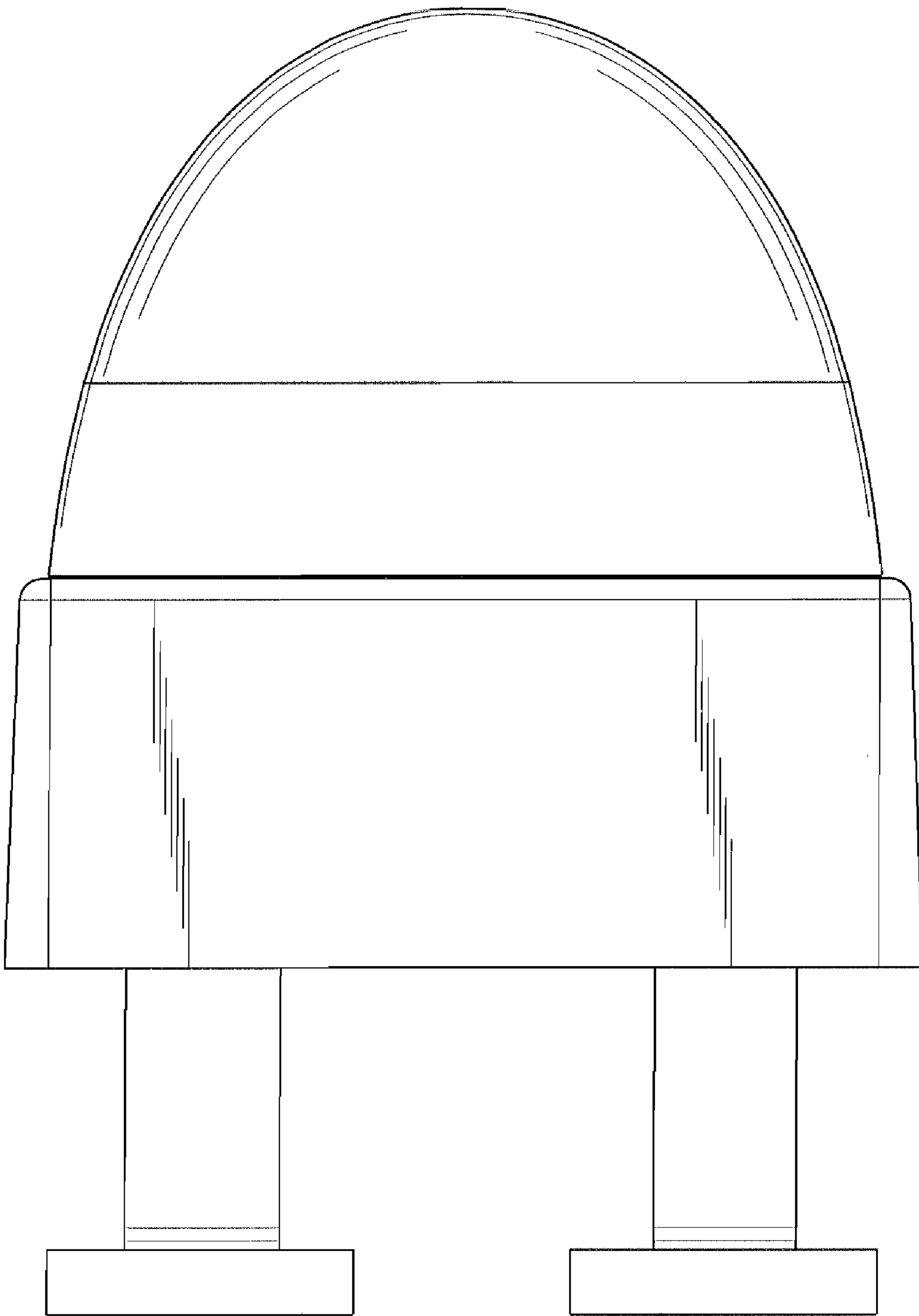


FIG. 6