



US00D596592S

(12) **United States Design Patent**
Yong et al.

(10) **Patent No.:** **US D596,592 S**
(45) **Date of Patent:** **** Jul. 21, 2009**

(54) **LIGHT EMITTING DIODE**

(75) Inventors: **Lig Yi Yong**, Penang (MY); **Siang Ling Oon**, Bukit Mertajam (MY); **Kean Loo Keh**, Gelugor (MY)

(73) Assignee: **Avago Technologies ECBU IP (Singapore) Pte. Ltd.**, Singapore (SG)

(**) Term: **14 Years**

(21) Appl. No.: **29/323,789**

(22) Filed: **Aug. 29, 2008**

(51) **LOC (9) Cl.** **13-03**

(52) **U.S. Cl.** **D13/180**

(58) **Field of Classification Search** D13/180;
D26/2; 257/79, 80, 81, 88, 89, 95, 98, 99,
257/100; 313/483, 498, 500; 362/555, 800
See application file for complete search history.

(56) **References Cited**

U.S. PATENT DOCUMENTS

D491,897 S *	6/2004	Kamada	D13/180
D534,504 S *	1/2007	Kim et al.	D13/180
7,262,438 B2 *	8/2007	Mok et al.	257/98
7,321,161 B2 *	1/2008	Teixeira et al.	257/675
D576,569 S *	9/2008	Chen et al.	D13/180
D579,424 S *	10/2008	Kim et al.	D13/180
2007/0063321 A1 *	3/2007	Han et al.	257/675
2007/0262328 A1 *	11/2007	Bando	257/79
2008/0001160 A1 *	1/2008	Andrews	257/79
2008/0099775 A1 *	5/2008	Yu et al.	257/98
2008/0203412 A1 *	8/2008	Shyu et al.	257/98

2008/0266869 A1* 10/2008 Tai et al. 362/294

* cited by examiner

Primary Examiner—Selina Sikder

(57) **CLAIM**

The ornamental design of a light emitting diode, as shown and described.

DESCRIPTION

FIG. 1 is a top, front, right isometric view of a light emitting diode showing an embodiment of our new design;

FIG. 2 is a bottom, front, left isometric view thereof;

FIG. 3 is a top plan view thereof;

FIG. 4 is a bottom plan view thereof;

FIG. 5 is a front elevation view thereof;

FIG. 6 is a rear elevation view thereof;

FIG. 7 is a left elevation view thereof, the right elevation view thereof being identical thereto;

FIG. 8 is a top, front, right isometric view of a light emitting diode showing another embodiment of our new design;

FIG. 9 is a bottom, front, left isometric view thereof;

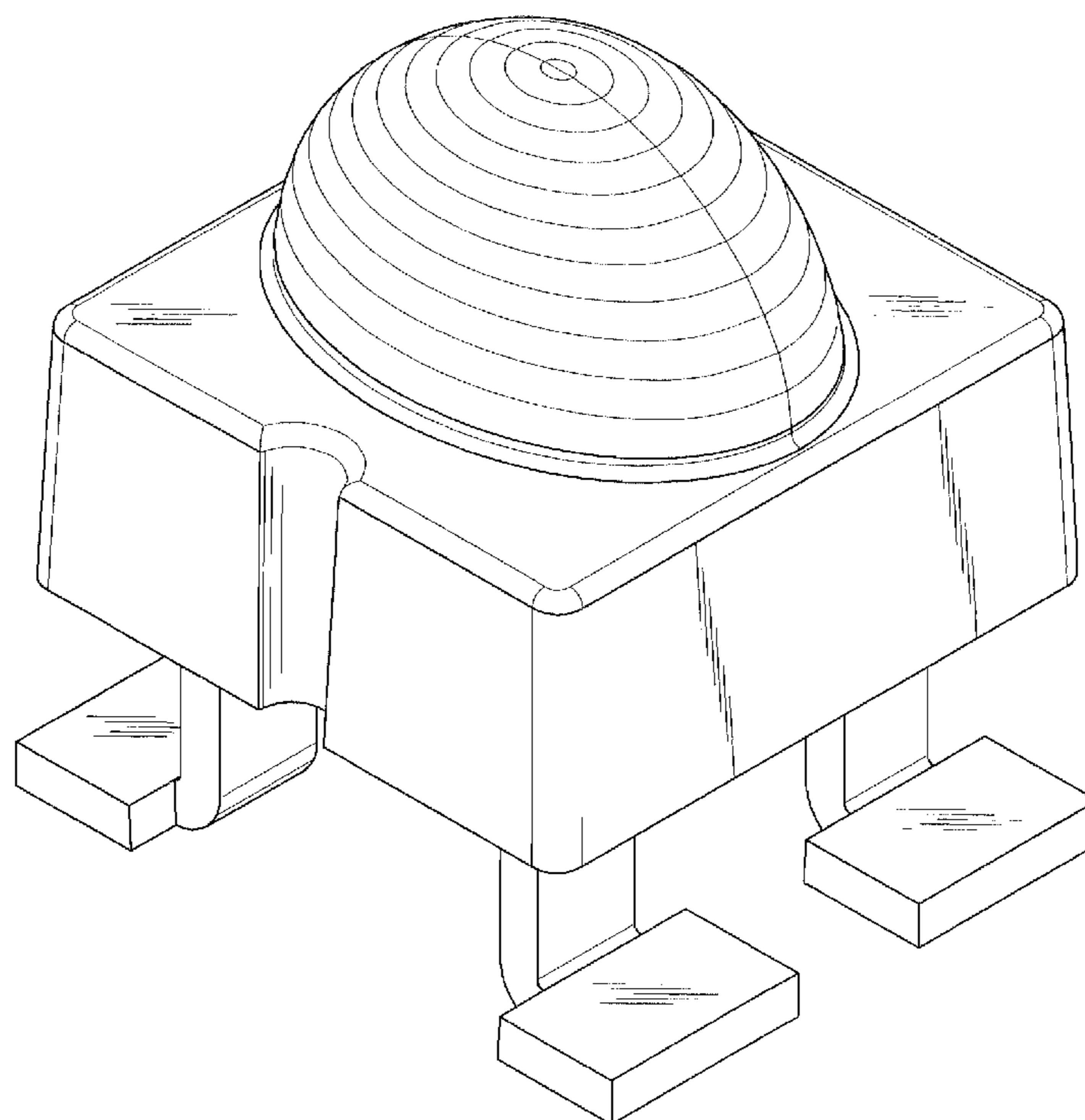
FIG. 10 is a top plan view thereof, the bottom plan view thereof being identical to FIG. 4 described above;

FIG. 11 is a front elevation view thereof;

FIG. 12 is a rear elevation view thereof; and,

FIG. 13 is a left elevation view thereof, the right elevation view being identical thereto.

1 Claim, 13 Drawing Sheets



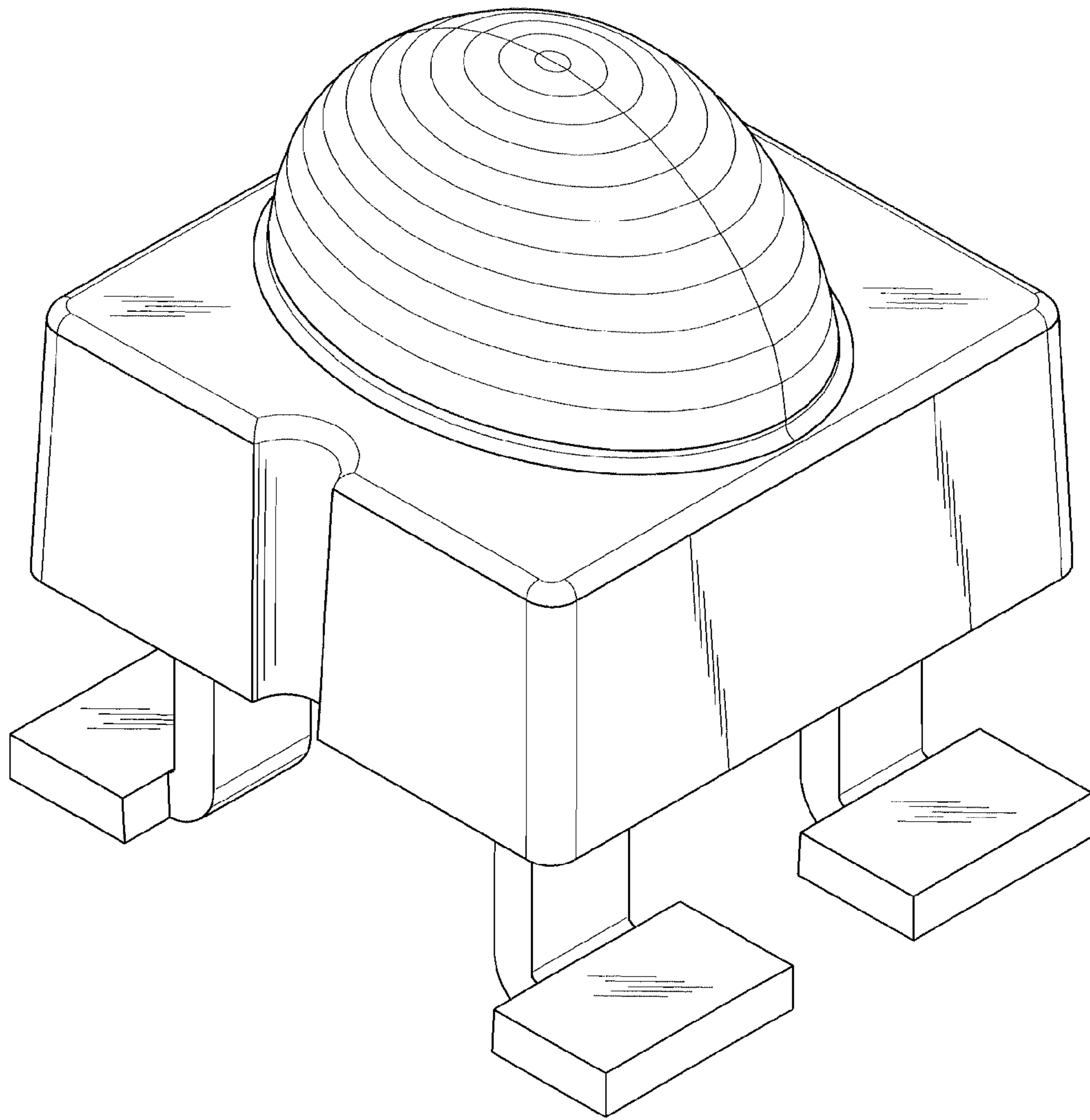


FIG. 1

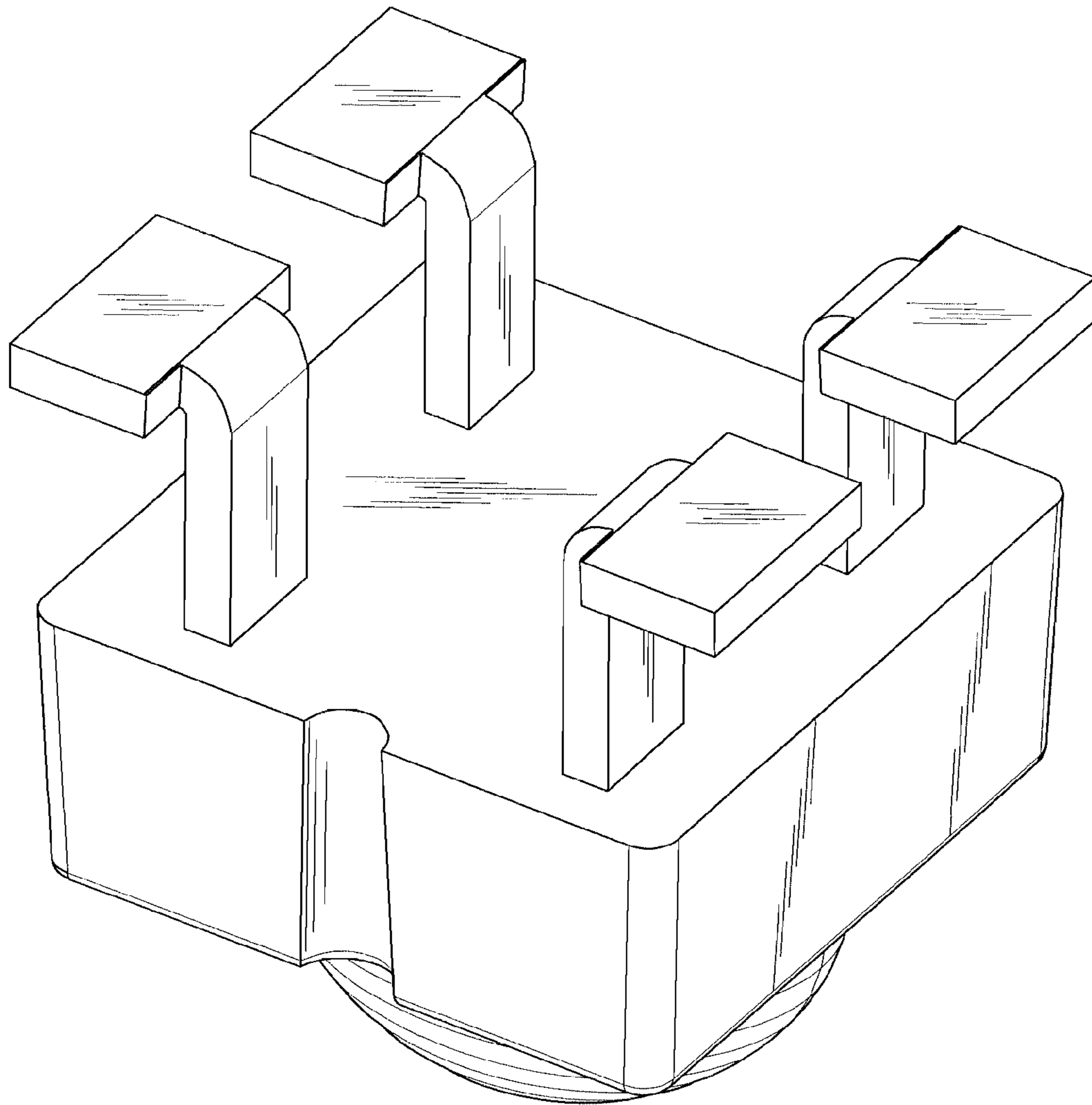


FIG. 2

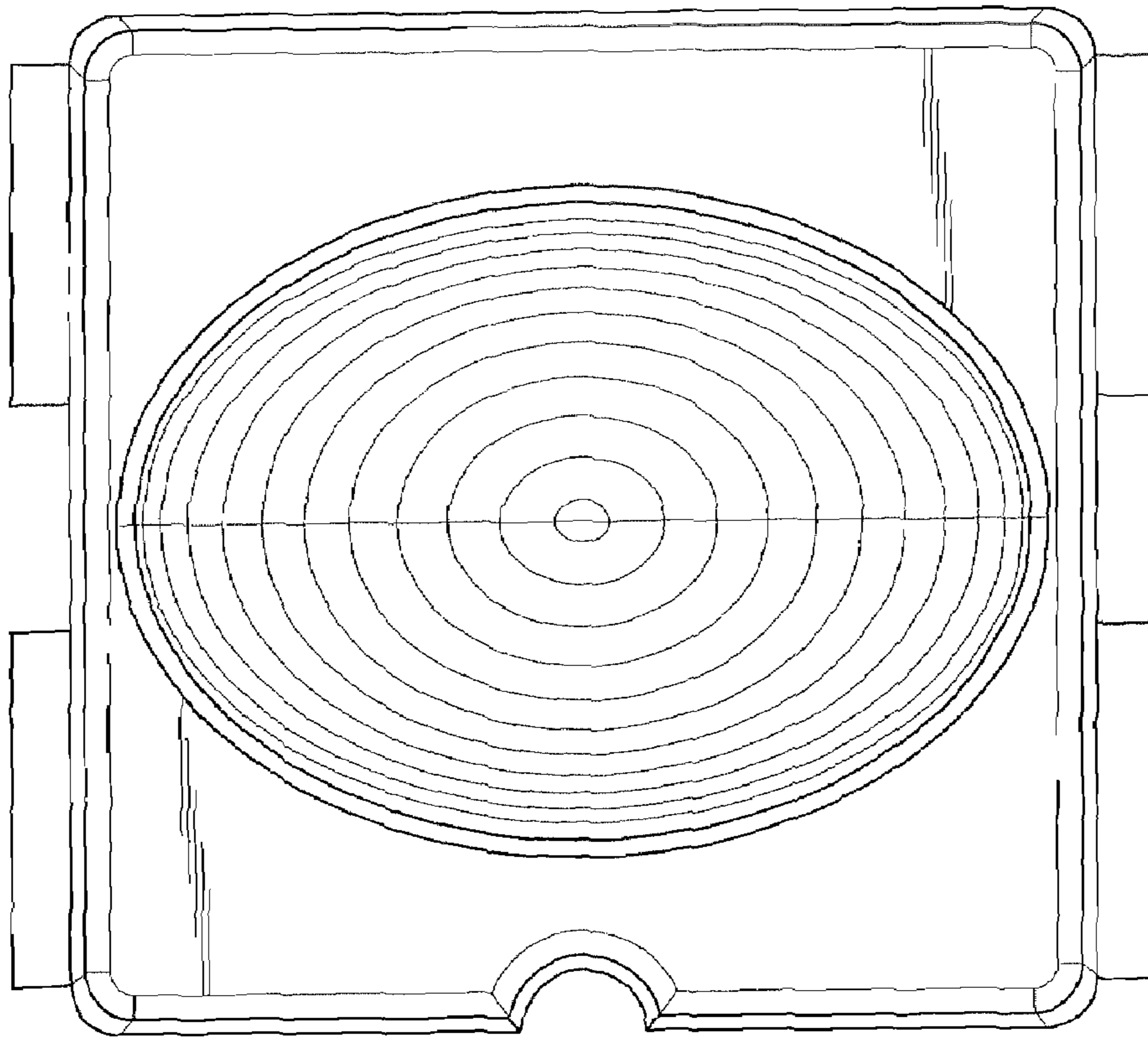


FIG. 3

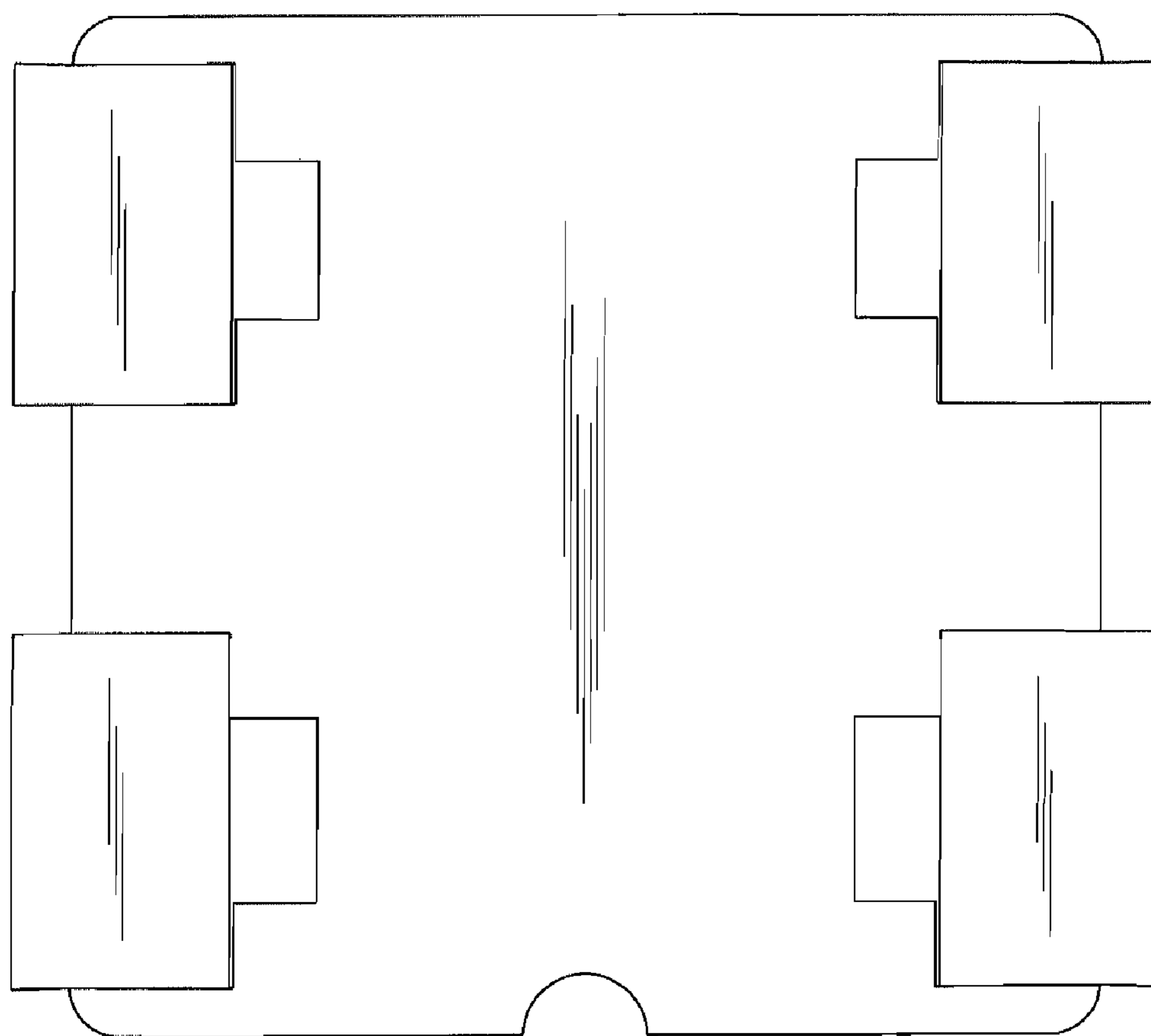


FIG. 4

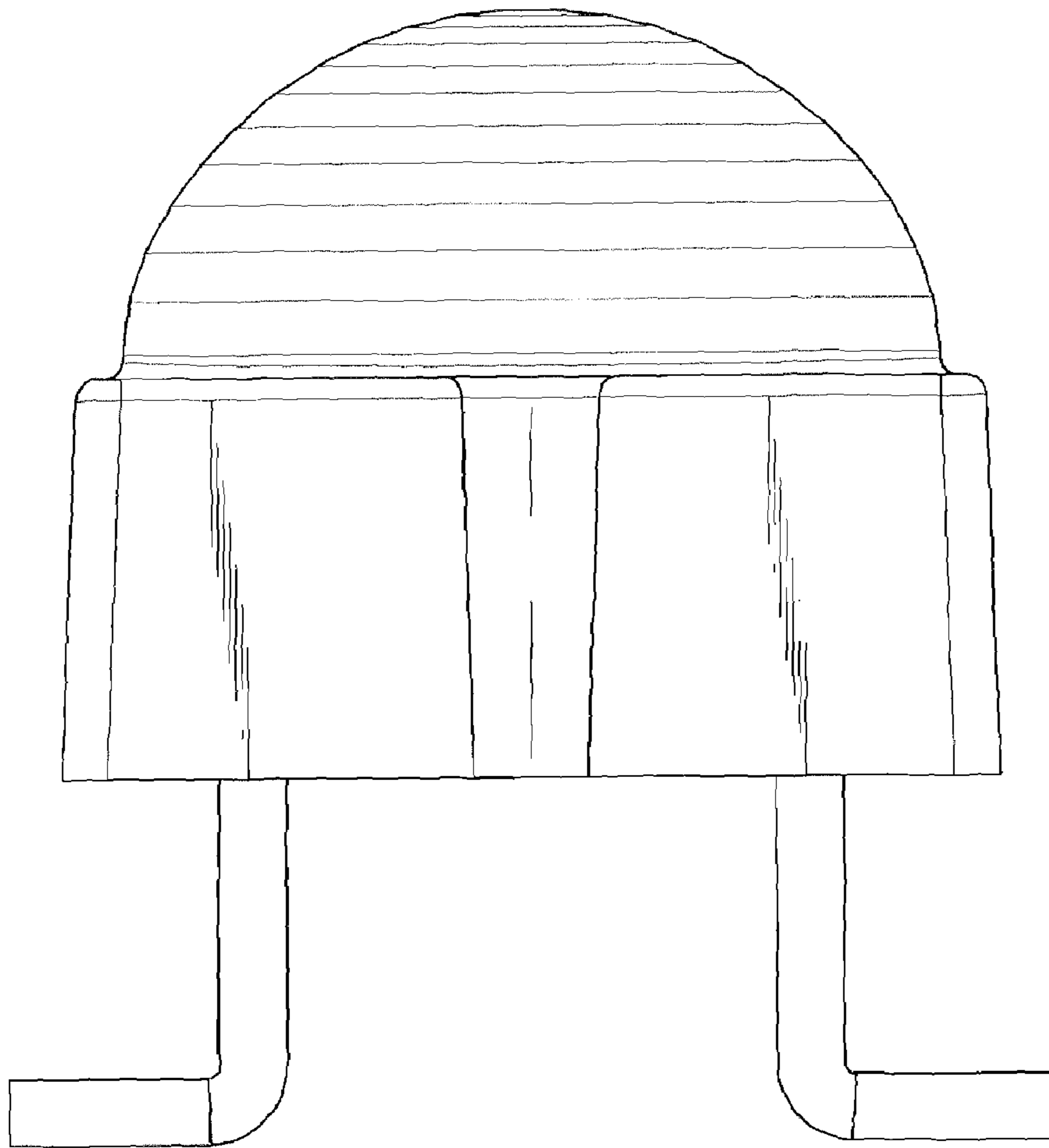


FIG. 5

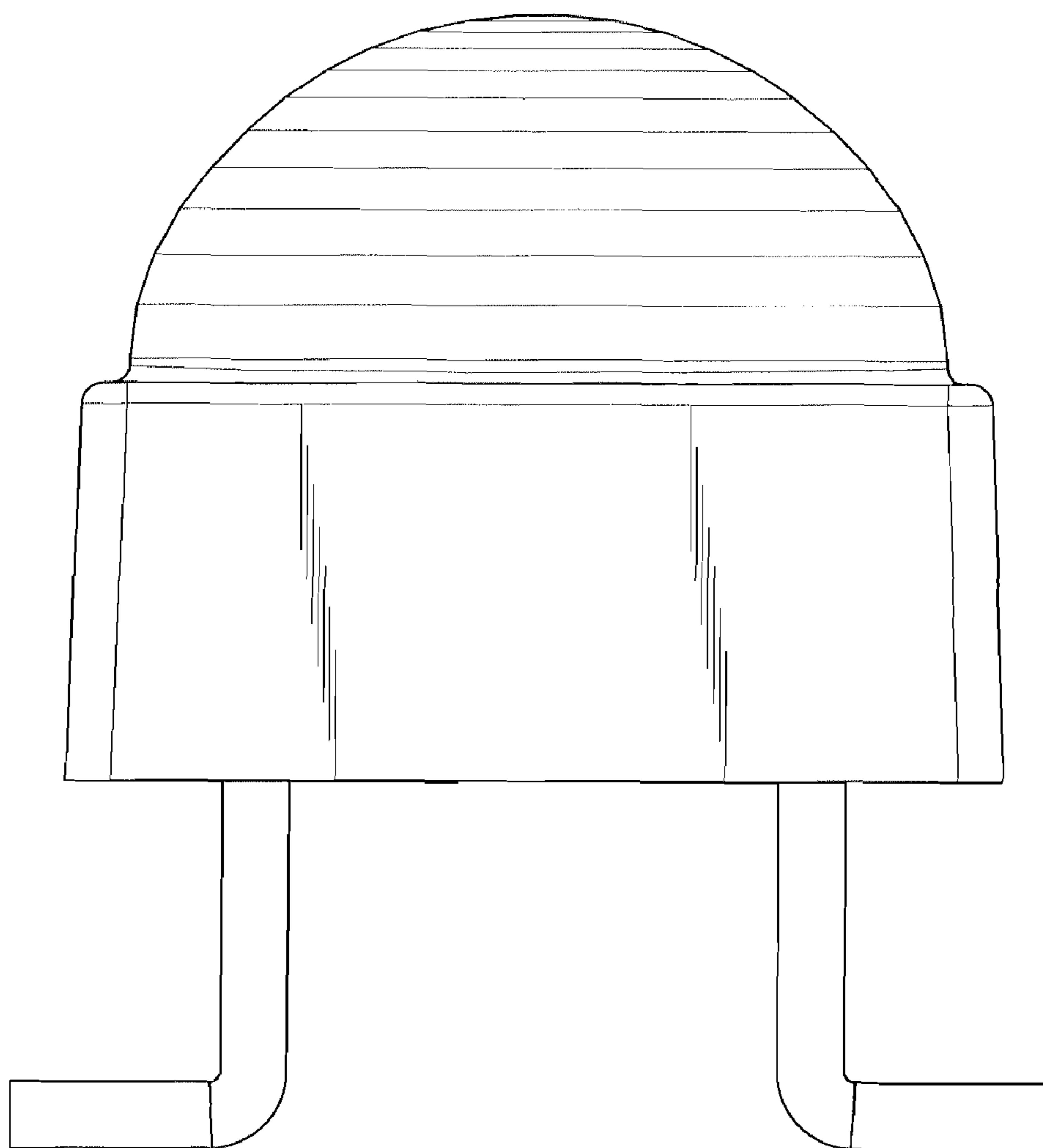


FIG. 6

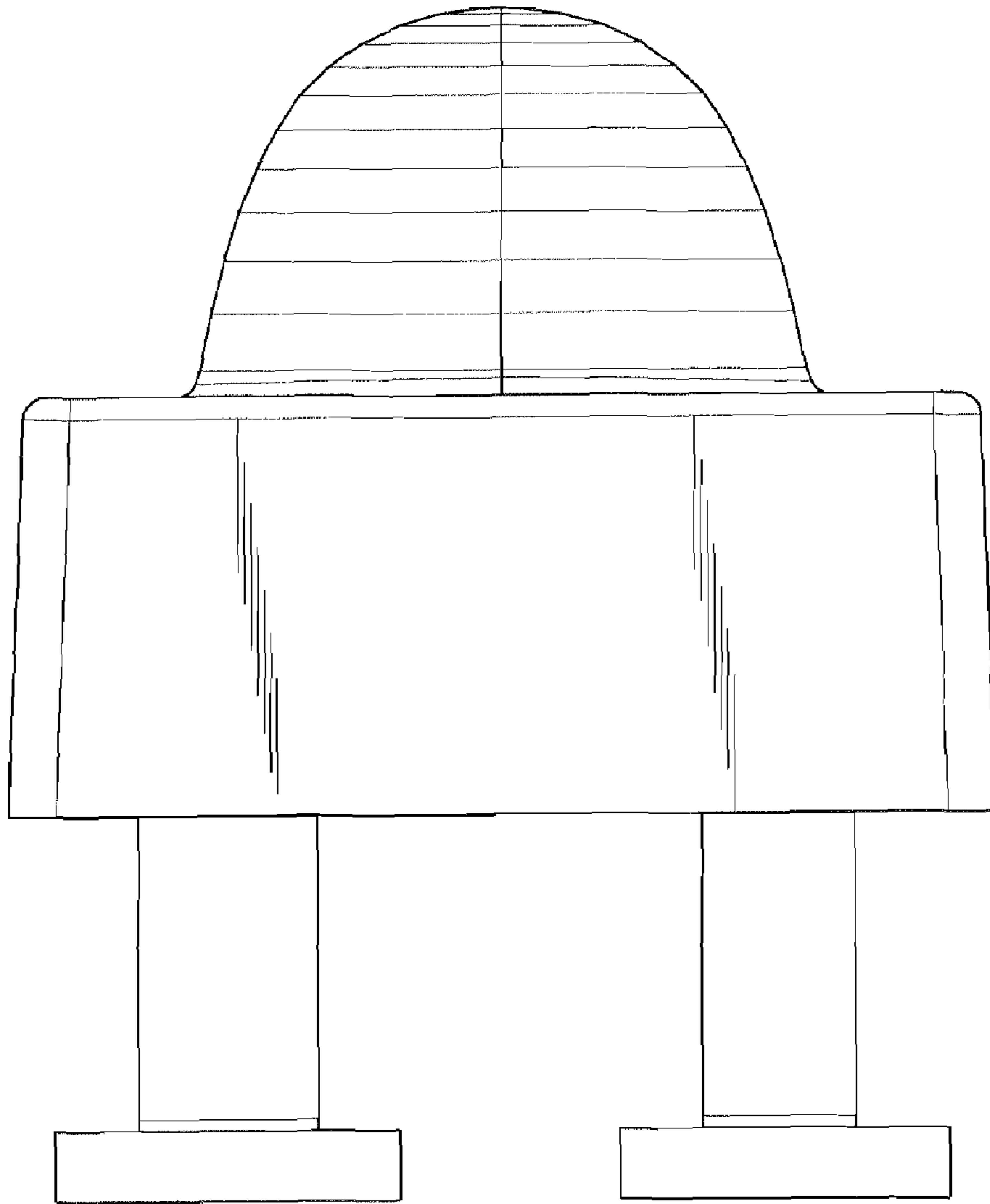


FIG. 7

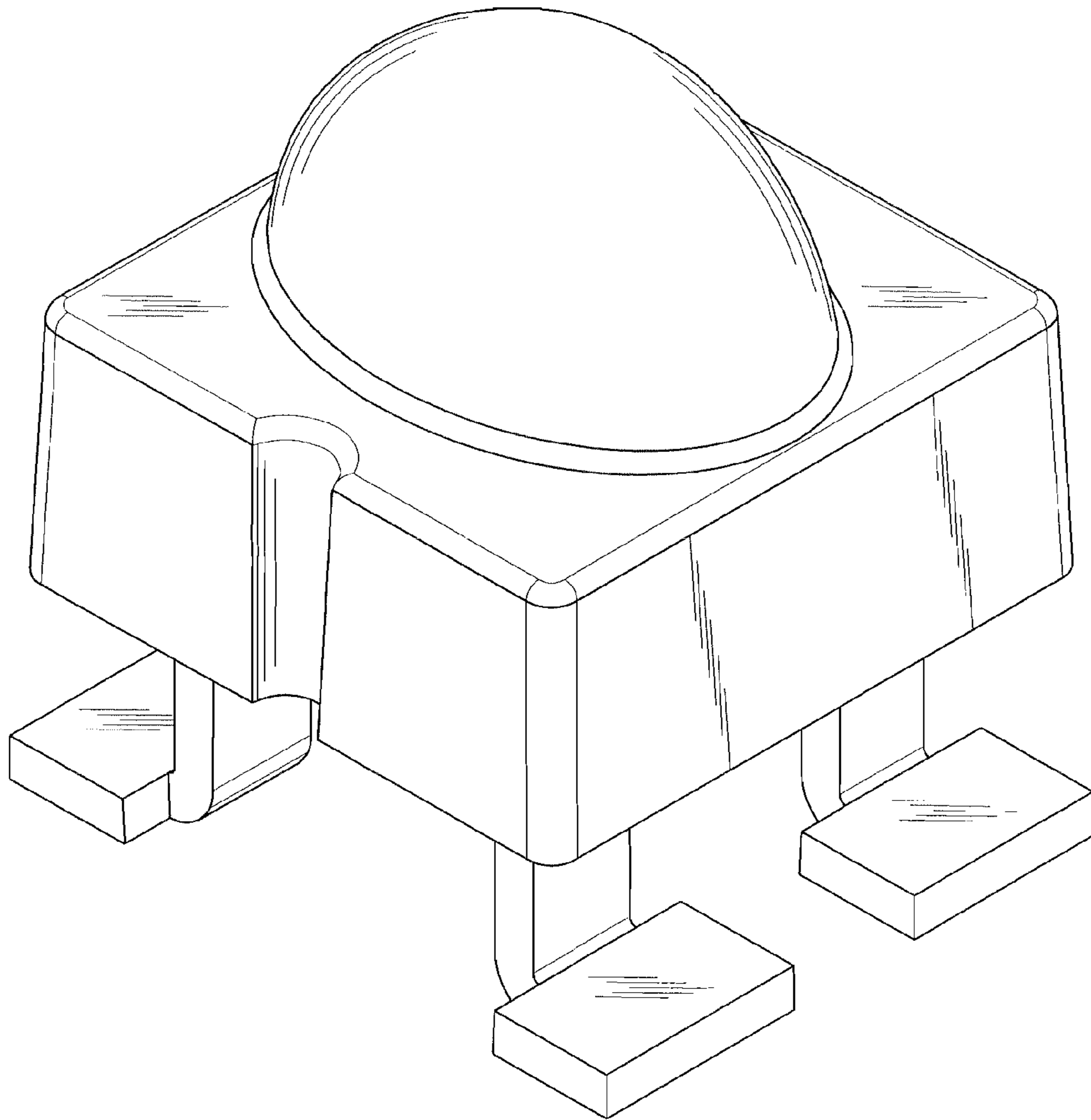


FIG. 8

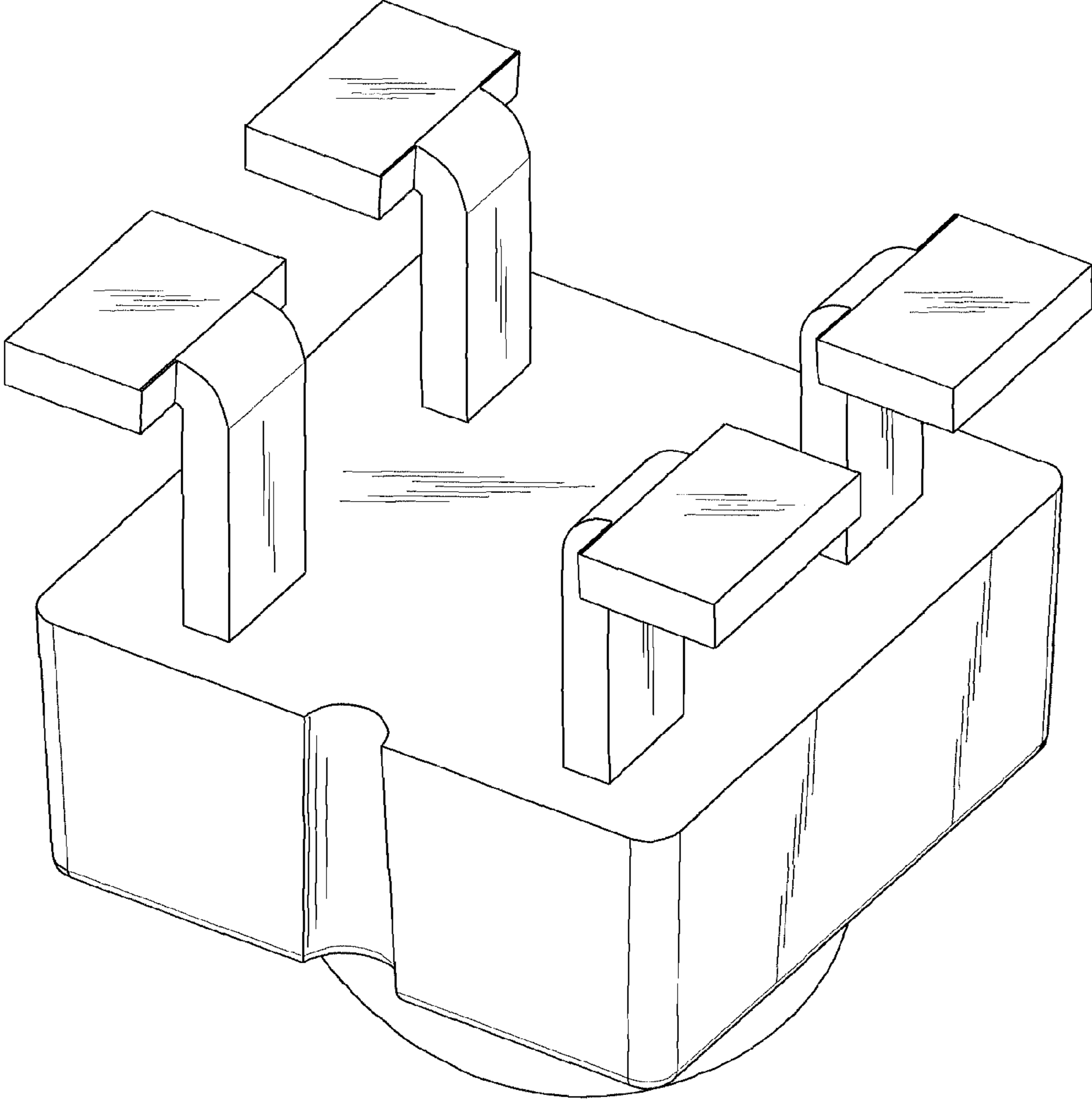


FIG. 9

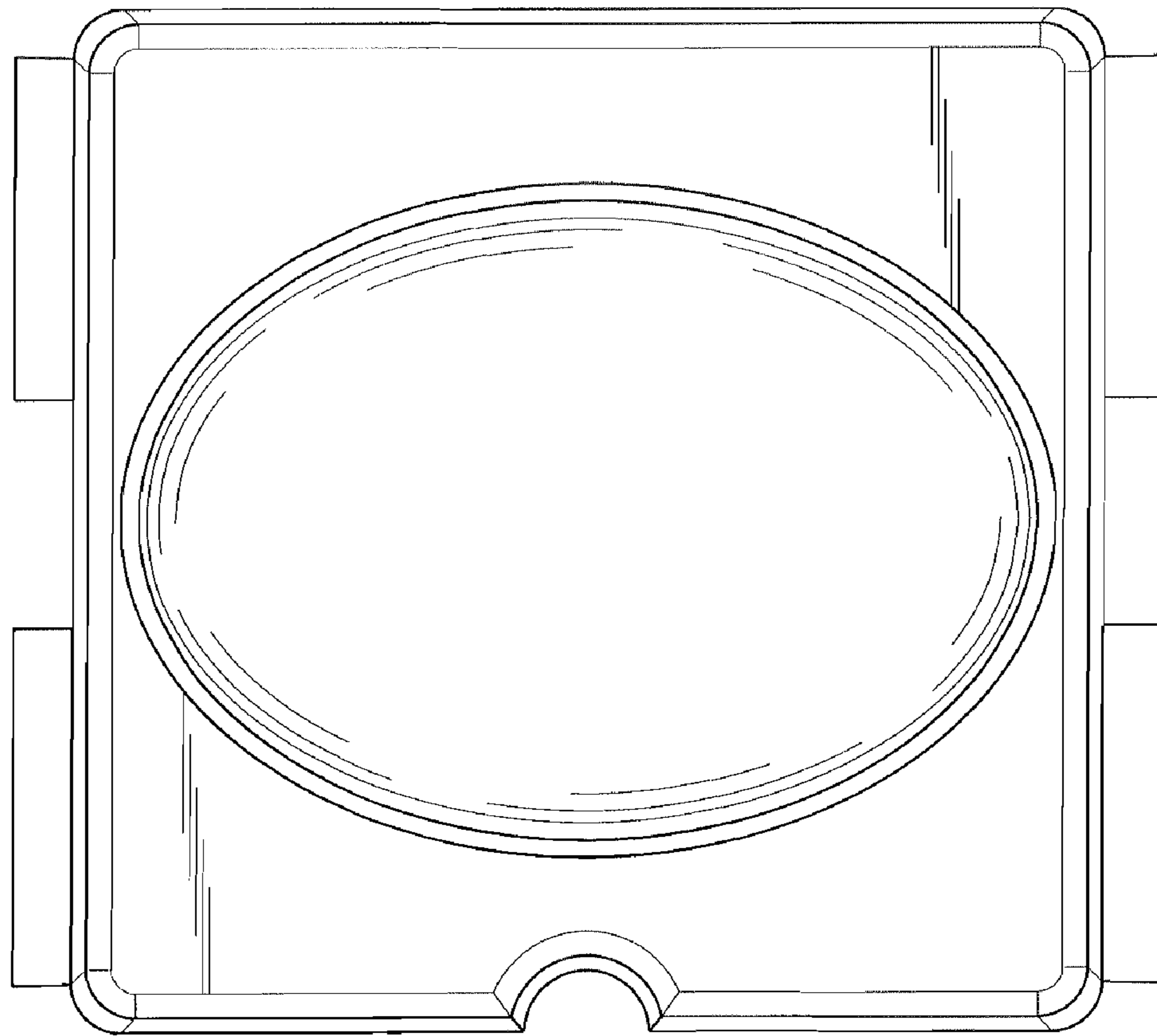


FIG. 10

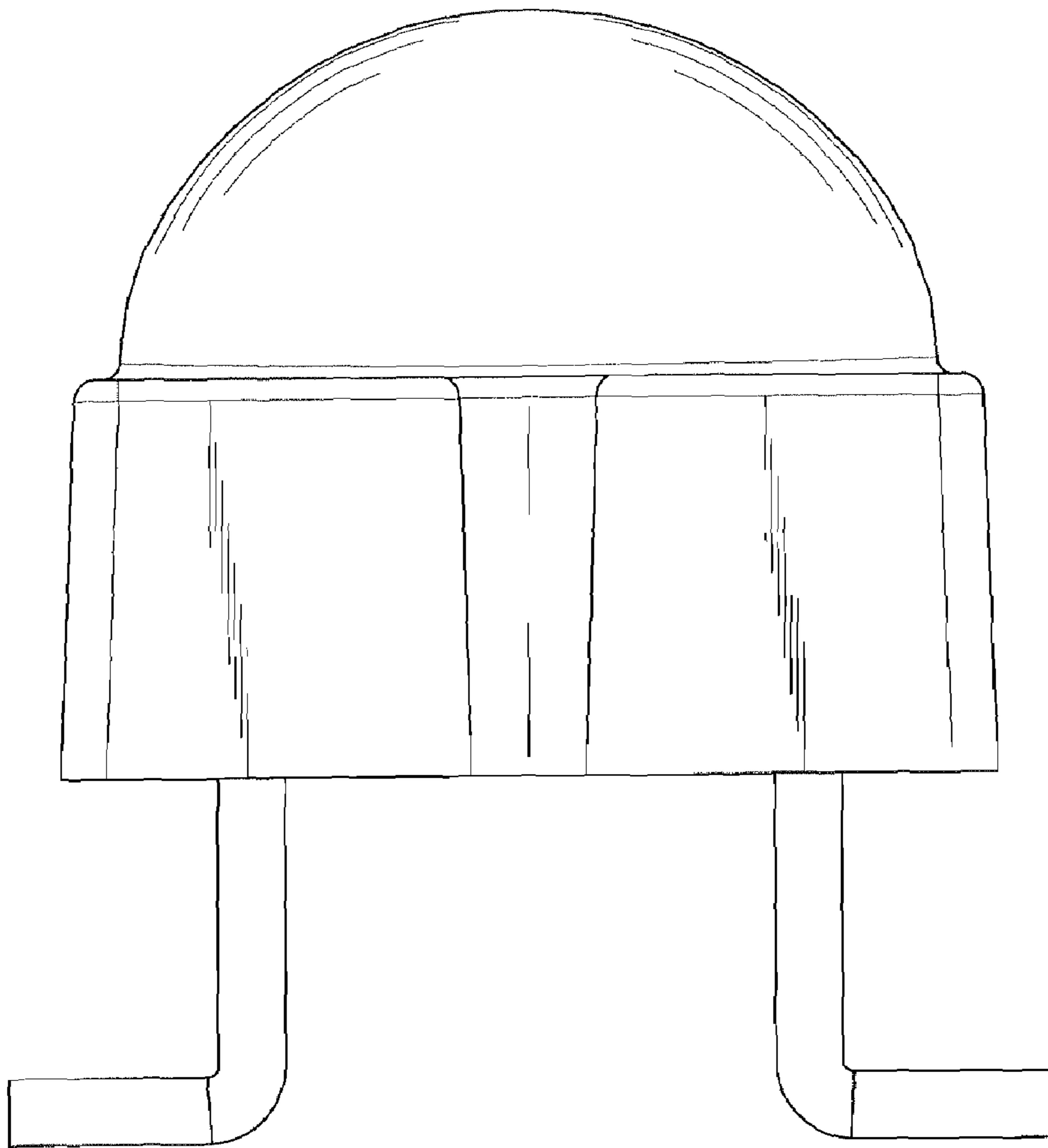


FIG. 11

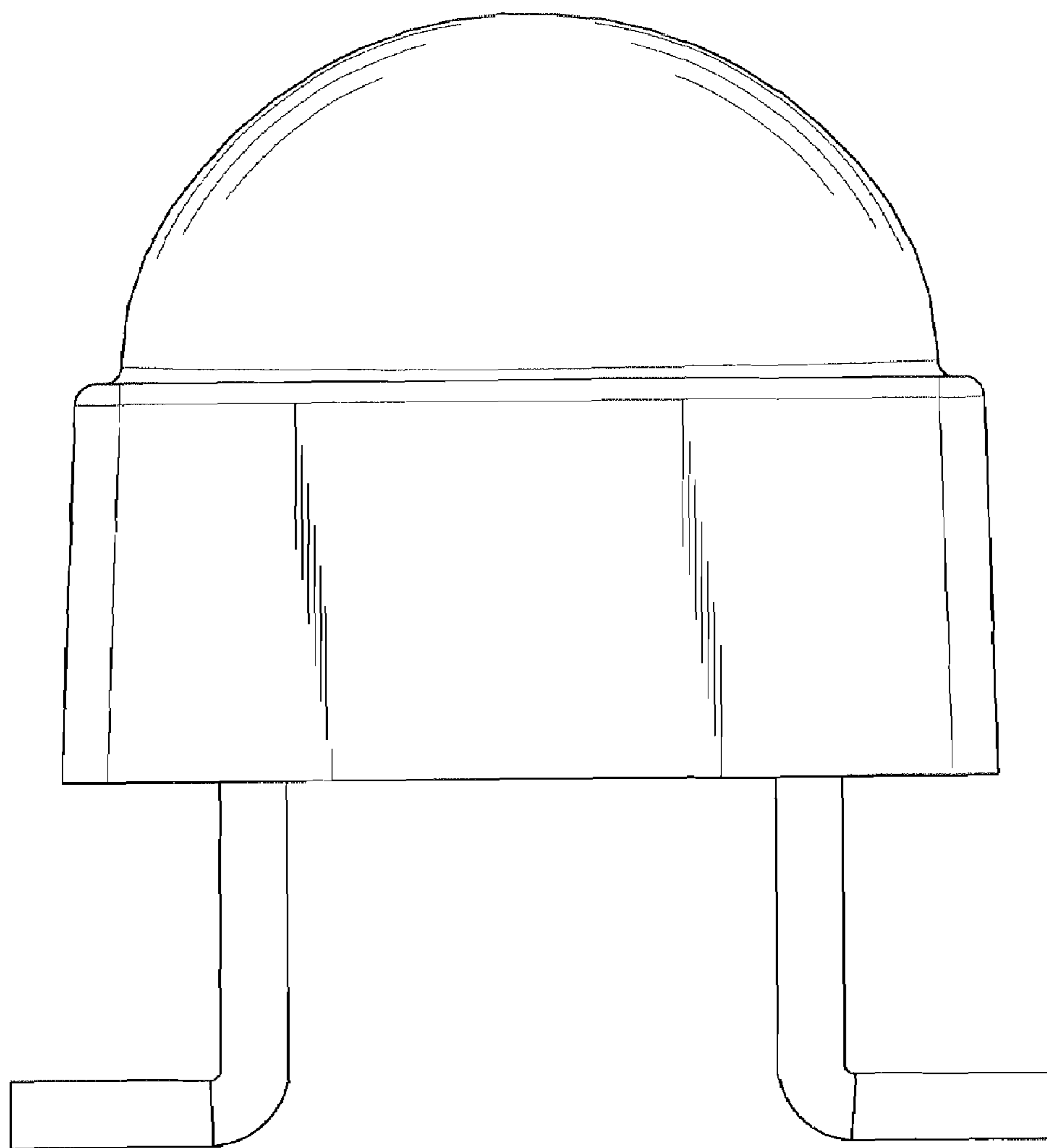


FIG. 12

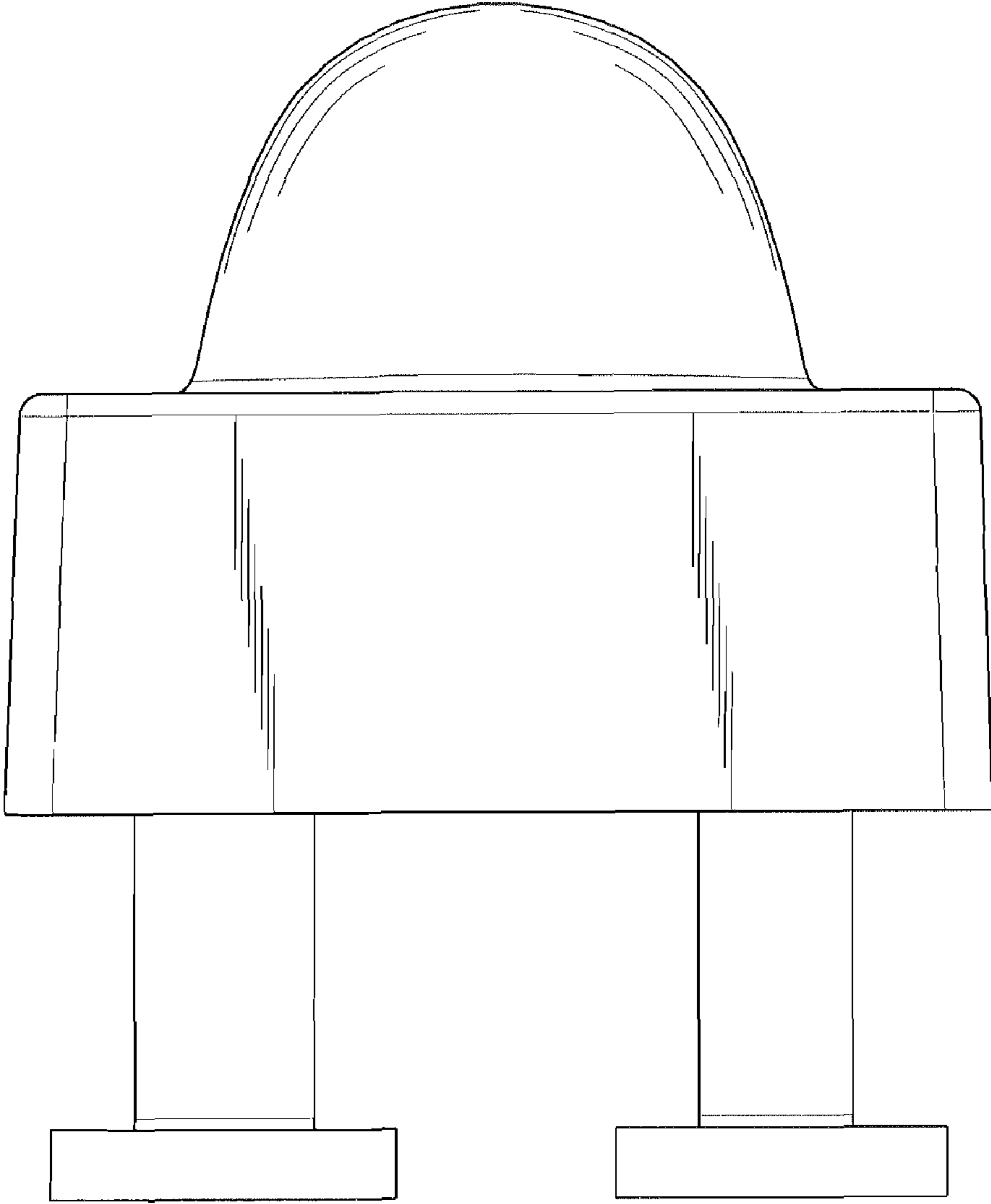


FIG. 13