



US00D596590S

(12) **United States Design Patent**
Plonski et al.

(10) **Patent No.:** **US D596,590 S**
(45) **Date of Patent:** **** Jul. 21, 2009**

(54) **LED SOURCE FOR A LIGHT FIXTURE**

(75) Inventors: **Eran Plonski**, Québec (CA); **Sharath Kumar**, Québec (CA); **Eihab Baqui**, Québec (CA)

(73) Assignee: **4187318 Canada Inc.** (CA)

(**) Term: **14 Years**

(21) Appl. No.: **29/320,009**

(22) Filed: **Jun. 18, 2008**

(51) **LOC (9) Cl.** **13-03**

(52) **U.S. Cl.** **D13/180**

(58) **Field of Classification Search** D13/180;
D26/2; 257/79, 80, 81, 88, 89, 95, 98, 99,
257/100; 313/483, 498, 500; 362/555, 294,
362/800

See application file for complete search history.

(56) **References Cited**

U.S. PATENT DOCUMENTS

| | | | | | |
|--------------|------|---------|------------------|-------|---------|
| 5,278,432 | A * | 1/1994 | Ignatius et al. | | 257/88 |
| 6,371,637 | B1 * | 4/2002 | Atchinson et al. | | 362/555 |
| 6,654,172 | B2 * | 11/2003 | Pond et al. | | 359/619 |
| 6,726,502 | B1 * | 4/2004 | Hayes | | 439/422 |
| D505,396 | S * | 5/2005 | Hoshiba | | D13/180 |
| 6,932,495 | B2 * | 8/2005 | Sloan et al. | | 362/294 |
| 6,988,819 | B2 * | 1/2006 | Siktberg et al. | | 362/545 |
| 7,044,620 | B2 * | 5/2006 | Van Duyn | | 362/294 |
| D530,288 | S * | 10/2006 | Nagai | | D13/180 |
| D532,383 | S * | 11/2006 | Nagai et al. | | D13/180 |
| 7,135,034 | B2 * | 11/2006 | Friedman et al. | | 607/88 |
| 7,140,751 | B2 * | 11/2006 | Lin | | 362/250 |
| D576,569 | S * | 9/2008 | Chen et al. | | D13/180 |
| D578,492 | S * | 10/2008 | Xu | | D13/180 |
| D585,847 | S * | 2/2009 | Roberts et al. | | D13/180 |
| 2006/0092637 | A1 * | 5/2006 | Yeh | | 362/249 |

* cited by examiner

Primary Examiner—Selina Sikder

(74) *Attorney, Agent, or Firm*—SAIDMAN DesignLaw Group

(57) **CLAIM**

The ornamental design for an LED source for a light fixture, as shown and described.

DESCRIPTION

FIG. 1 is a top view of a first LED source for a light fixture of the present design;

FIG. 2 is a front view of the LED source for a light fixture of FIG. 1;

FIG. 3 is a right view of the LED source for a light fixture of FIG. 1;

FIG. 4 is a rear view of the LED arrangement of FIG. 1;

FIG. 5 is a left view of the LED source for a light fixture of FIG. 1;

FIG. 6 is a bottom view of the LED source for a light fixture of FIG. 1;

FIG. 7 is a top view of a second LED source for a light fixture of the present design;

FIG. 8 is a front view of the LED source for a light fixture of FIG. 7;

FIG. 9 is a right view of the LED source for a light fixture of FIG. 7;

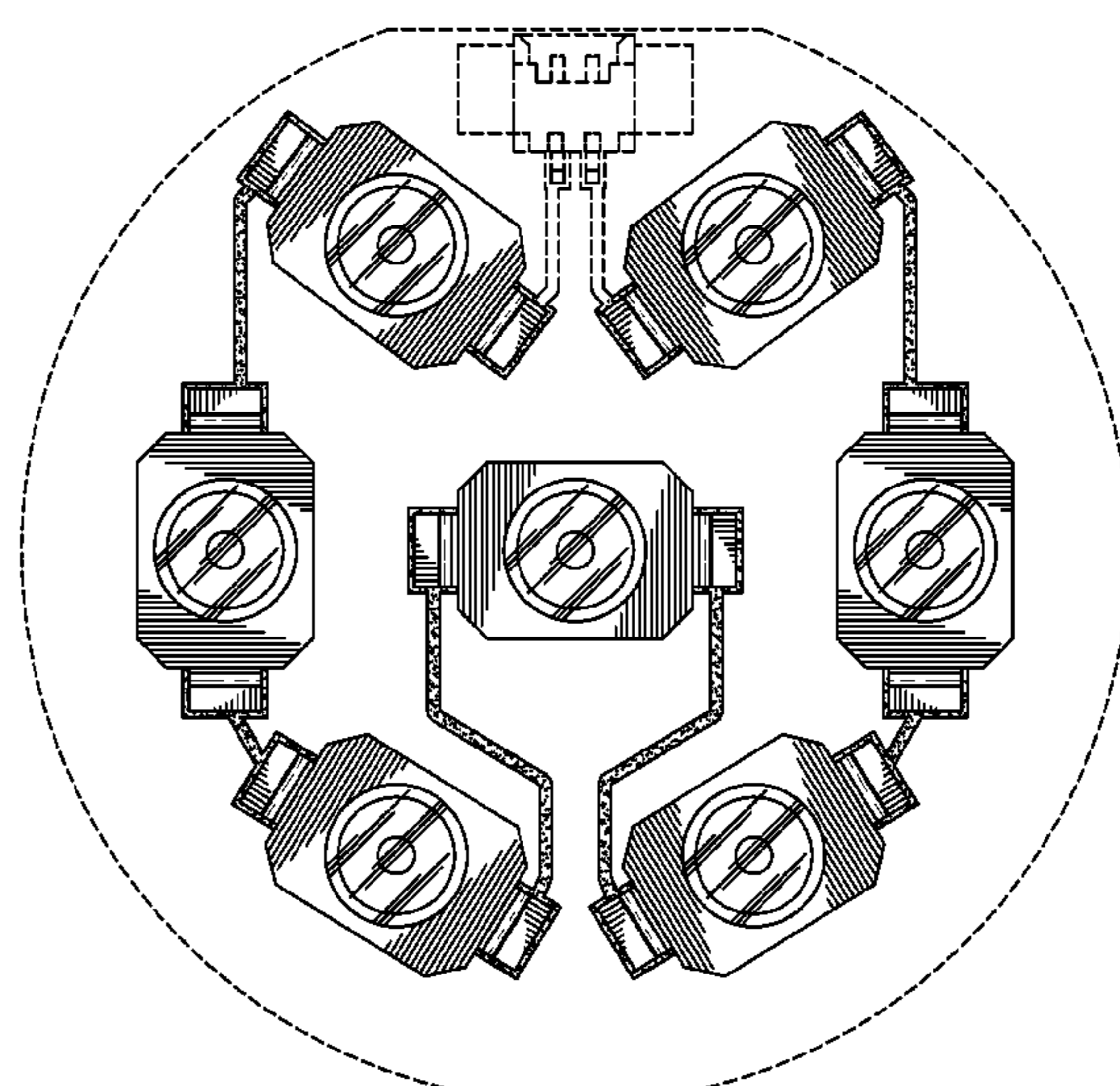
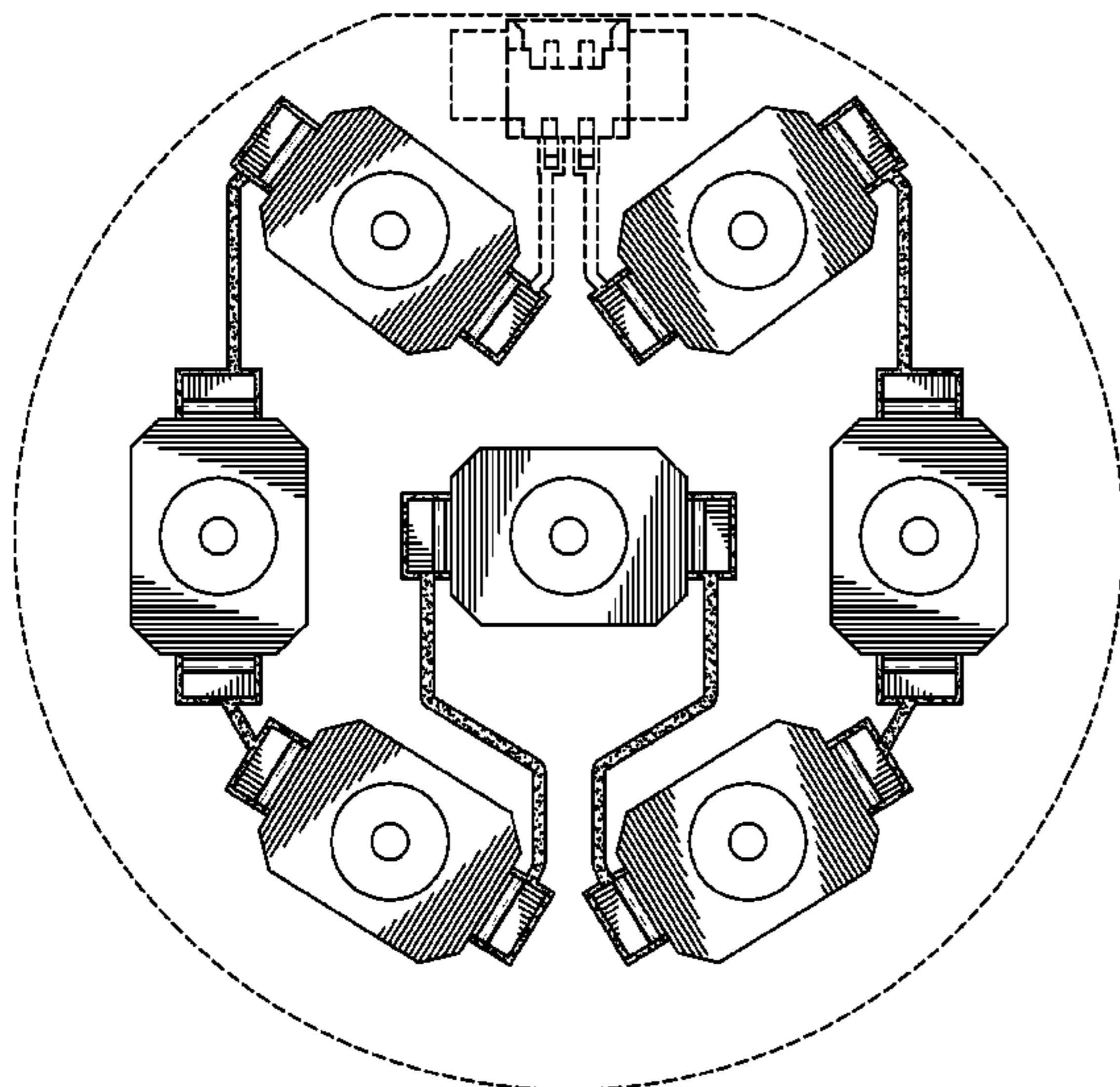
FIG. 10 is a rear view of the LED arrangement of FIG. 7;

FIG. 11 is a left view of the LED source for a light fixture of FIG. 7; and,

FIG. 12 is a bottom view of the LED source for a light fixture of FIG. 7.

Any parts shown in broken lines form no part of the claimed design.

1 Claim, 6 Drawing Sheets



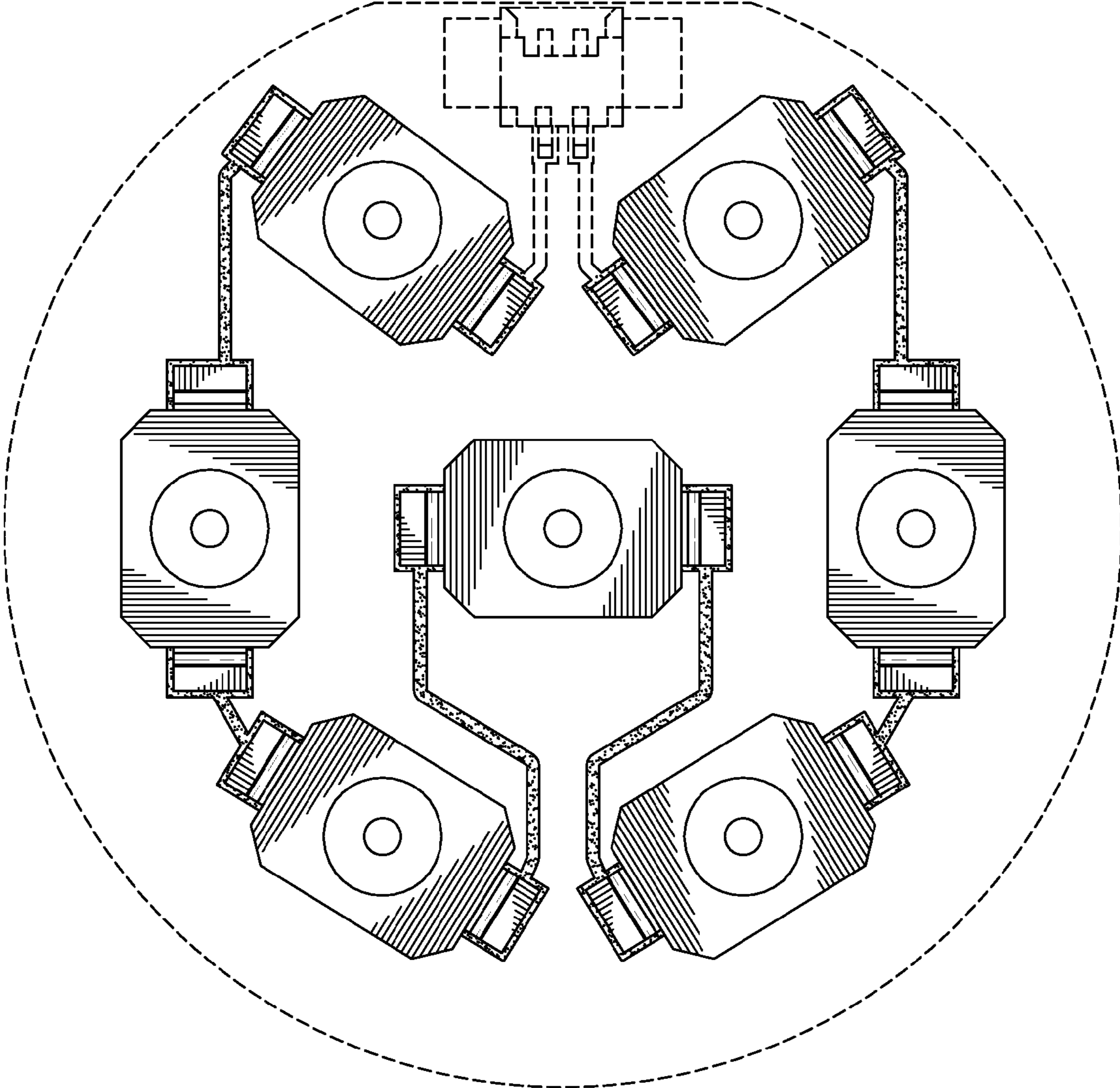


Fig-1

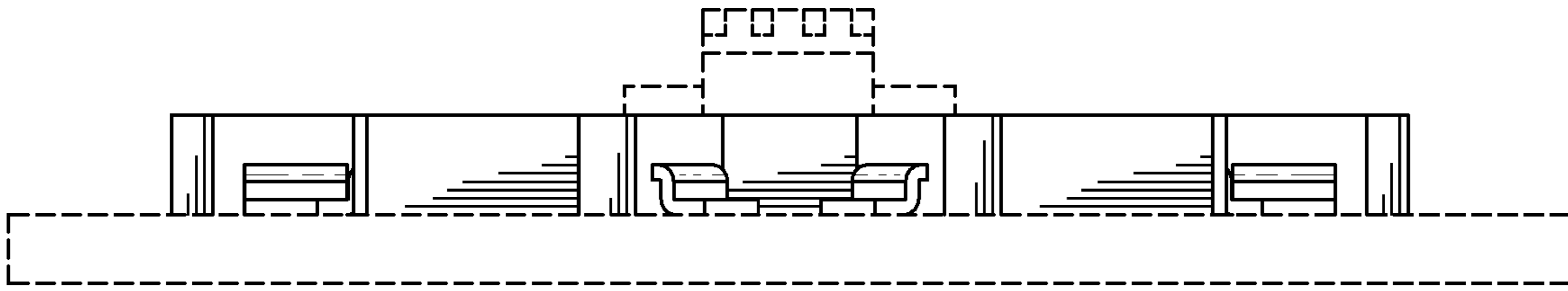


Fig-2



Fig-3

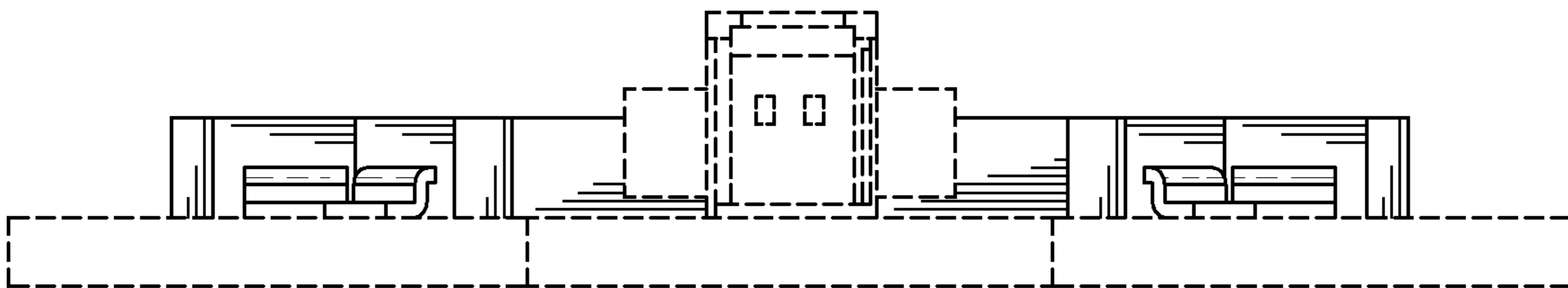


Fig-4

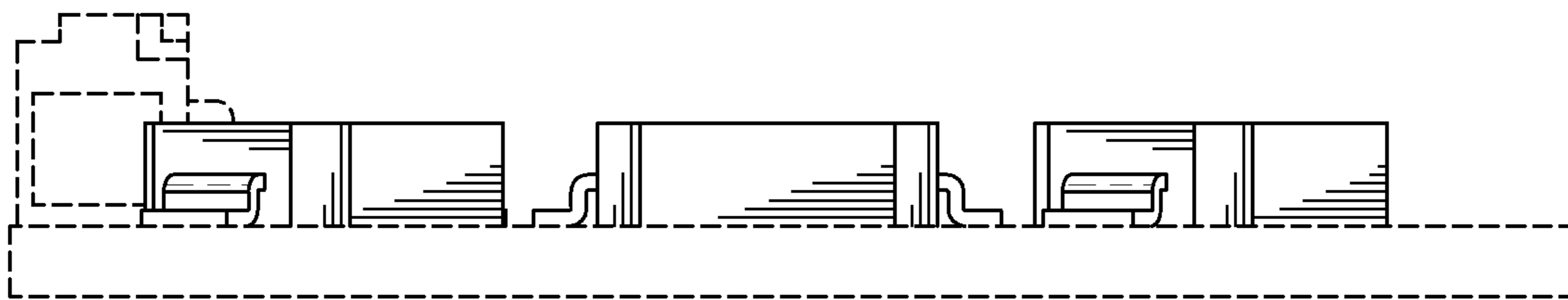


Fig-5

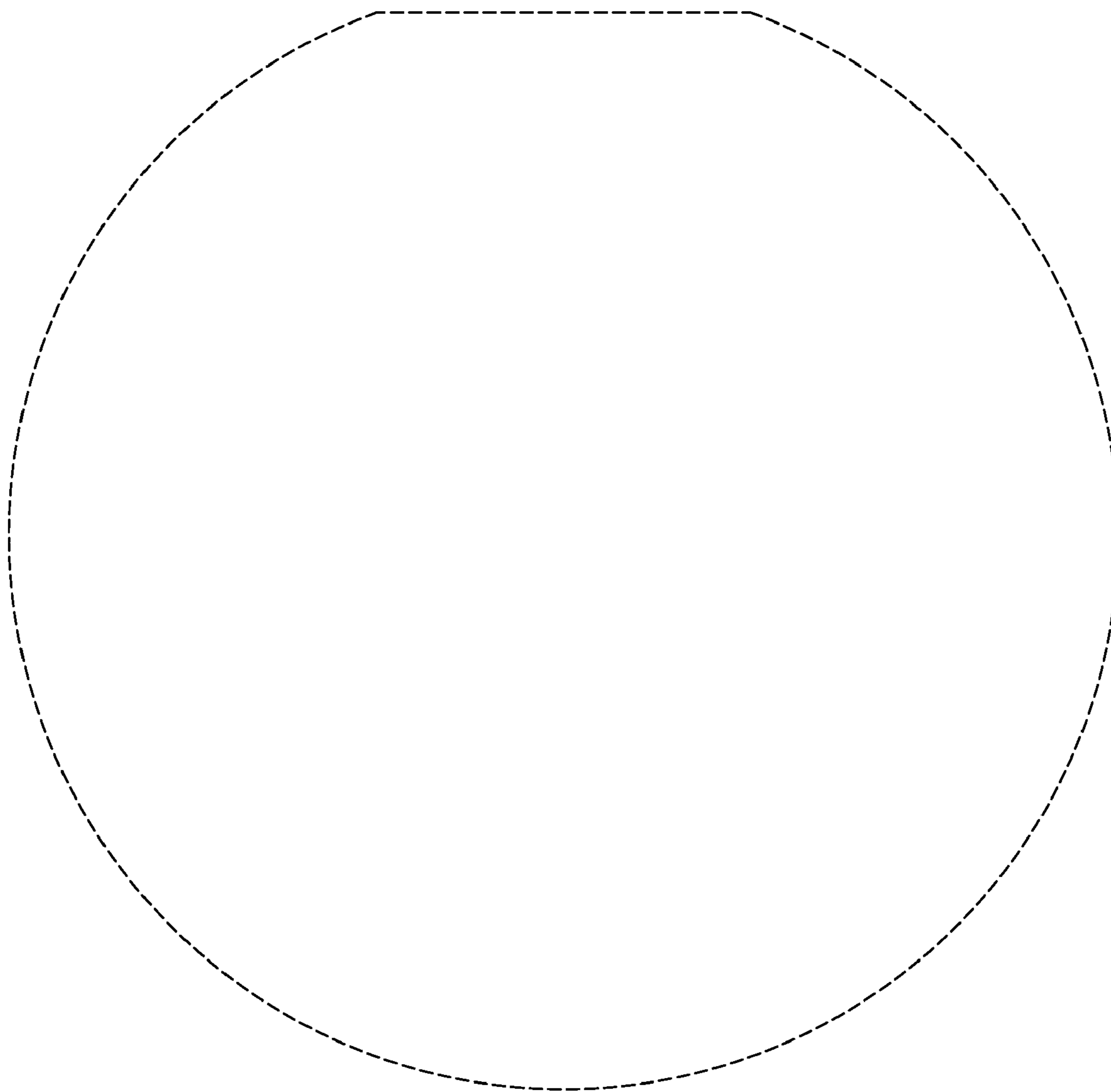


Fig. 6

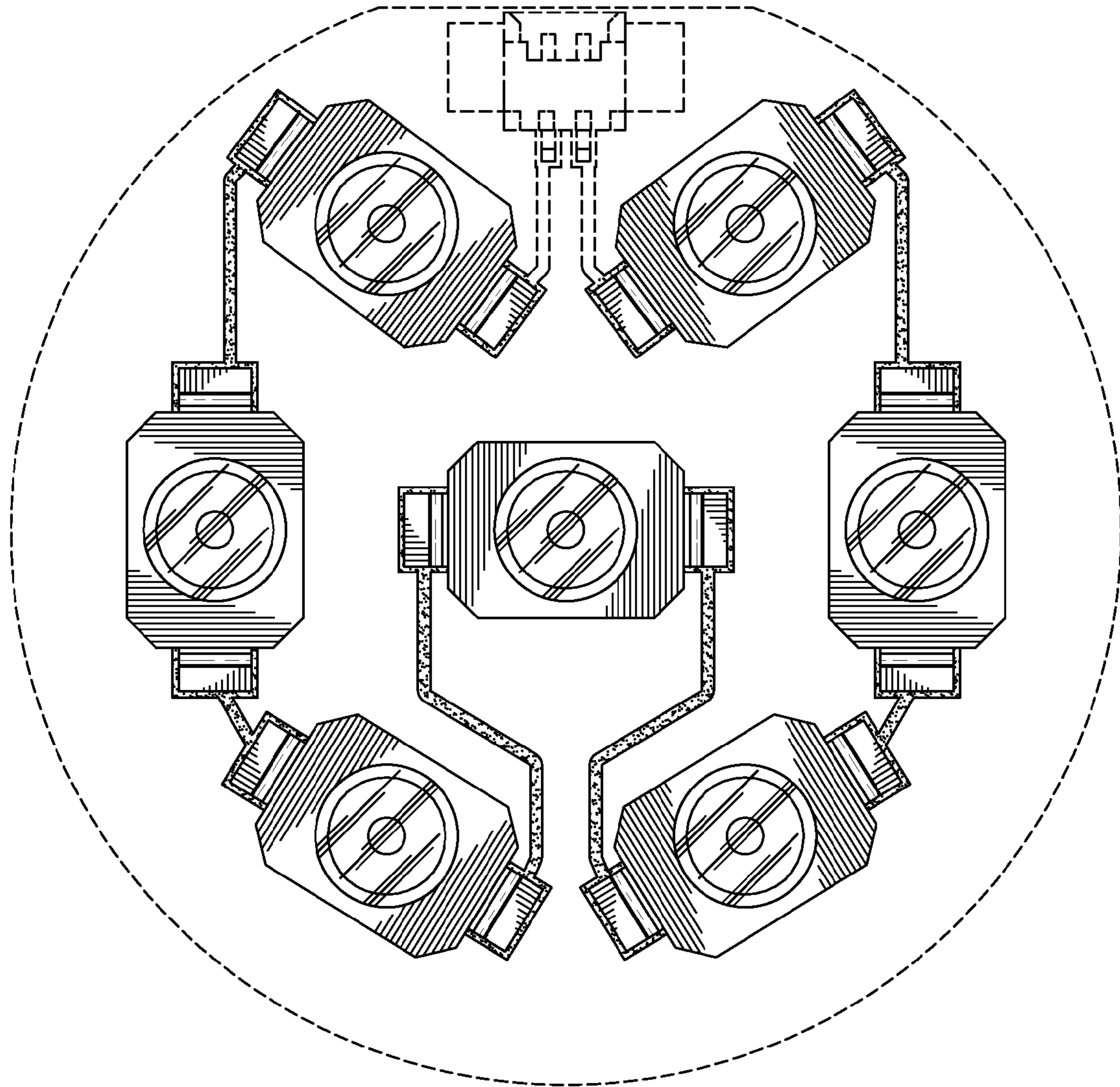


Fig-7

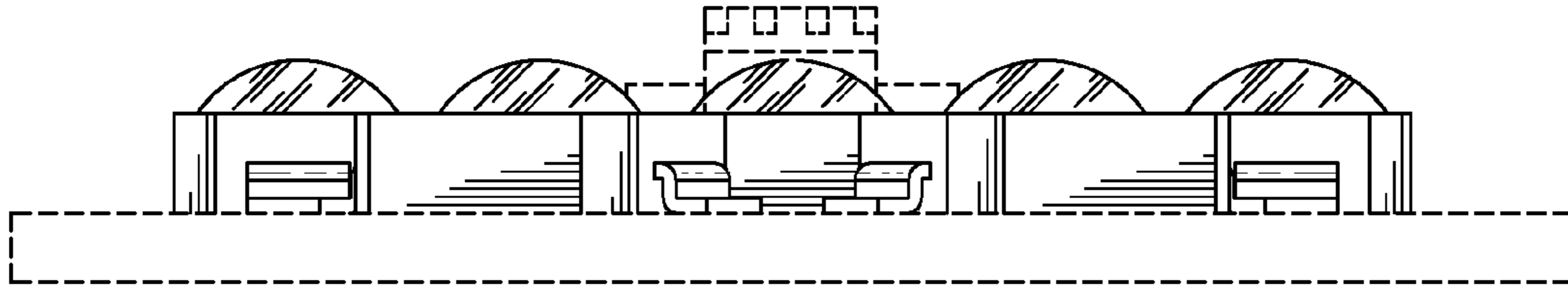


Fig-8

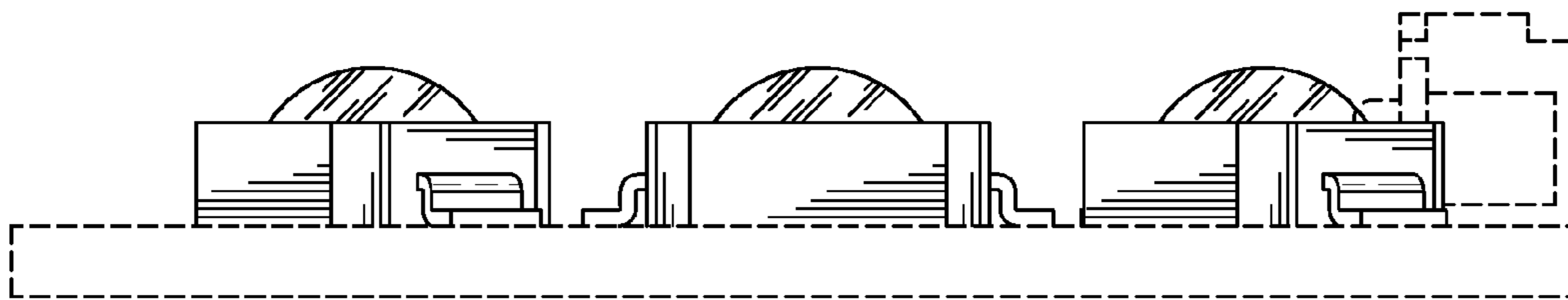


Fig-9

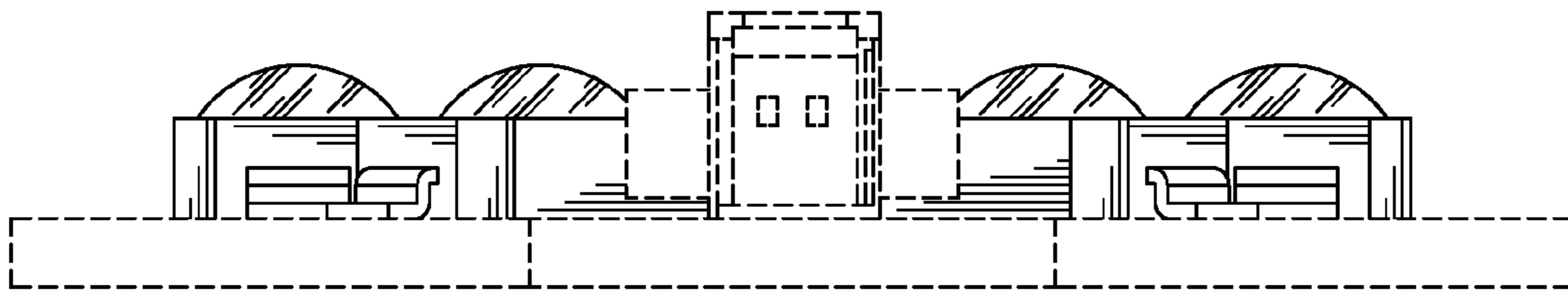


Fig-10

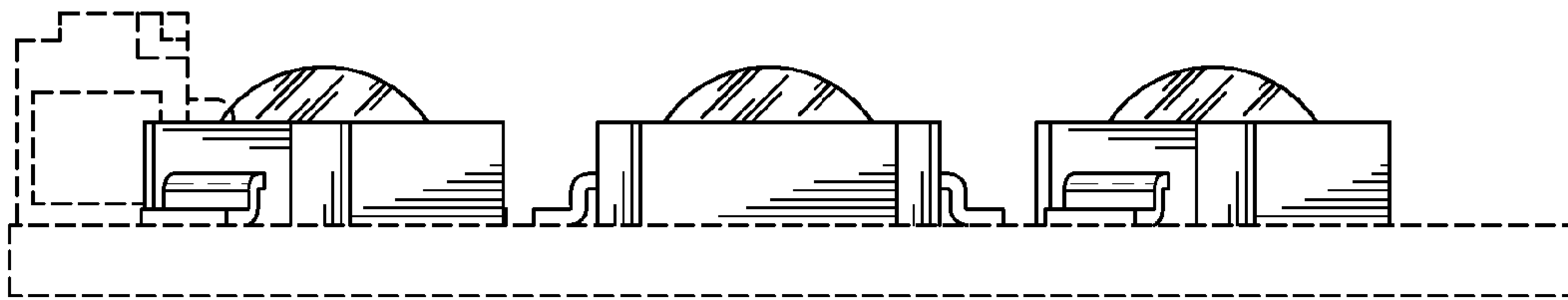


Fig-11

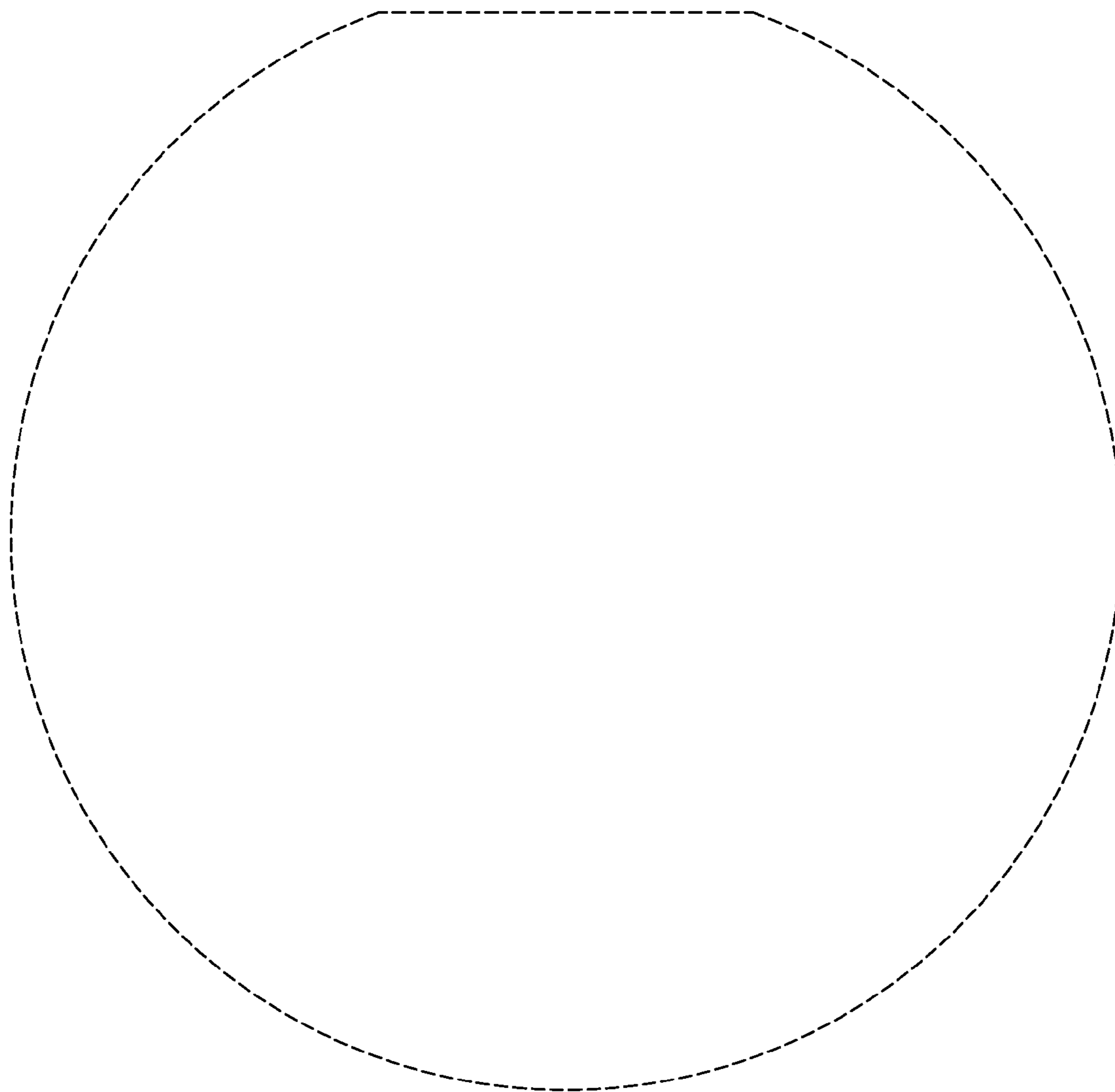


FIG. 12