



US00D596589S

(12) **United States Design Patent**
Yoshida et al.

(10) **Patent No.:** **US D596,589 S**
(45) **Date of Patent:** **** Jul. 21, 2009**

(54) **SWITCH**

(75) Inventors: **Haruo Yoshida**, Tokyo (JP); **Yuichi Kato**, Tokyo (JP); **Yosuke Sakai**, Tokyo (JP)

(73) Assignee: **SMK Corporation**, Tokyo (JP)

(**) Term: **14 Years**

(21) Appl. No.: **29/331,100**

(22) Filed: **Jan. 20, 2009**

Related U.S. Application Data

(62) Division of application No. 29/297,641, filed on Nov. 15, 2007, now Pat. No. Des. 589,641.

(30) **Foreign Application Priority Data**

May 21, 2007 (JP) D2007-13340
May 21, 2007 (JP) D2007-13341
May 21, 2007 (JP) D2007-13342

(51) **LOC (9) Cl.** **13-03**

(52) **U.S. Cl.** **D13/174; D13/158**

(58) **Field of Classification Search** D13/158,
D13/169, 171, 174, 184, 199; 200/1 B, 5 A,
200/6 R, 293-297, 314, 315, 341, 344, 406,
200/513, 520, 523, 530

See application file for complete search history.

(56) **References Cited**

U.S. PATENT DOCUMENTS

5,245,147 A 9/1993 Kobayashi et al.
5,760,352 A 6/1998 Ishihara et al.
D533,144 S 12/2006 Asada et al.
D535,617 S 1/2007 Yoneyama et al.

D537,797 S 3/2007 Yanai et al.
7,199,321 B1 4/2007 Huang et al.
7,250,581 B2 7/2007 Asada et al.
D565,513 S 4/2008 Biondo et al.
D568,256 S 5/2008 Asada et al.

Primary Examiner—Daniel D Bui

Assistant Examiner—Thomas J Johannes

(74) *Attorney, Agent, or Firm*—Darby & Darby PC

(57) **CLAIM**

The ornamental design for a switch, as shown and described.

DESCRIPTION

FIG. 1 is a front view of a switch, showing our new design;

FIG. 2 is a back view thereof;

FIG. 3 is a top view thereof;

FIG. 4 is a right side view thereof;

FIG. 5 is a left side view thereof;

FIG. 6 is a bottom view thereof;

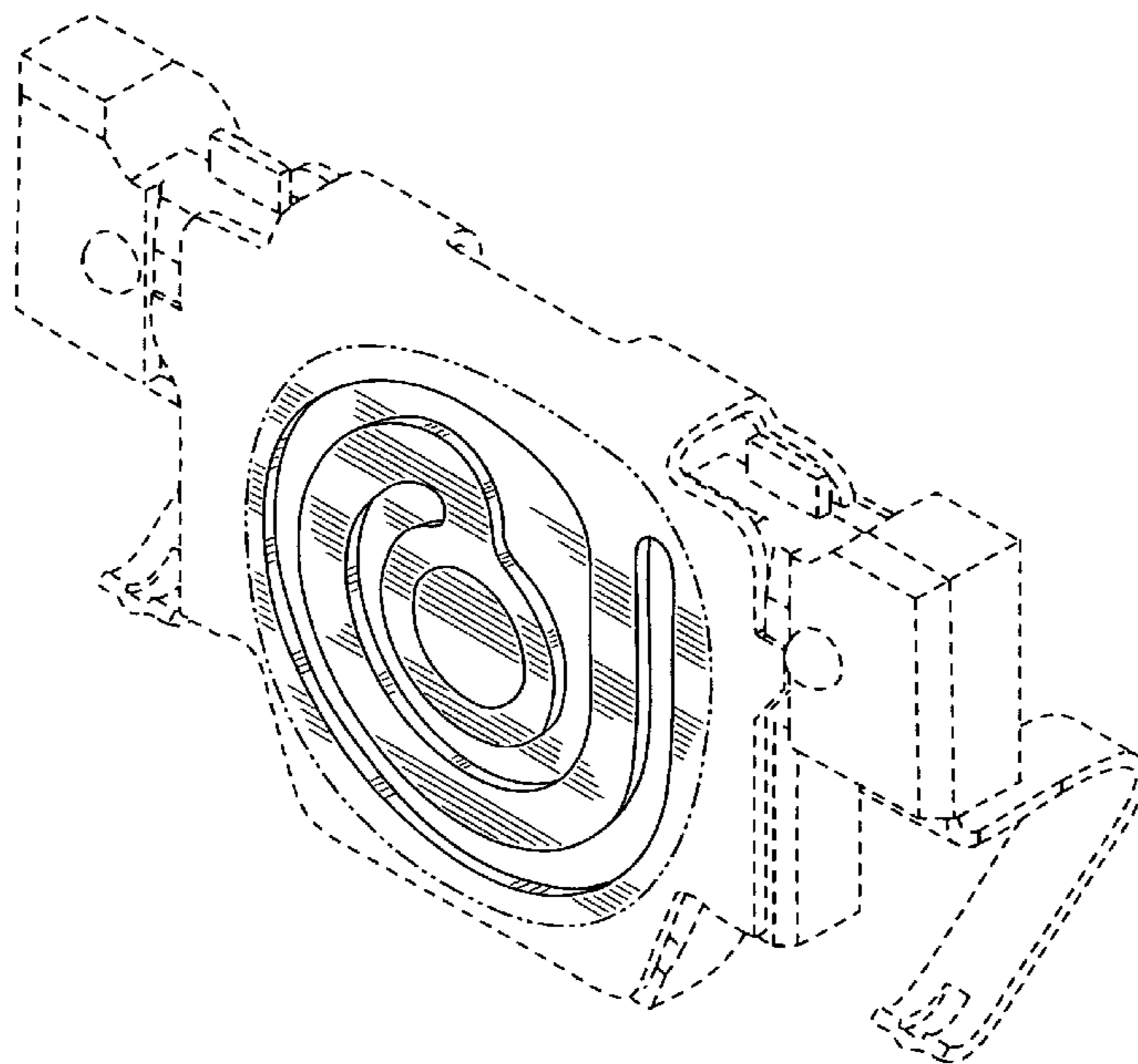
FIG. 7 is a perspective view thereof, as seen from the top, front, and right sides; and,

FIG. 8 is a perspective view thereof, as seen from the top, rear, and left sides.

In each of FIGS. 1 through 8, the broken lines illustrating other portions of the switch are for illustrative purposes only, and form no part of the claimed design.

The dash-dash broken line portion of the figure drawings is included to show unclaimed subject matter only and forms no part of the claimed design; and, the special dot-dot-dash broken line that circumscribes the shaded, claimed area is intended to show the bounds of the claimed design and, itself, forms no part thereof.

1 Claim, 5 Drawing Sheets



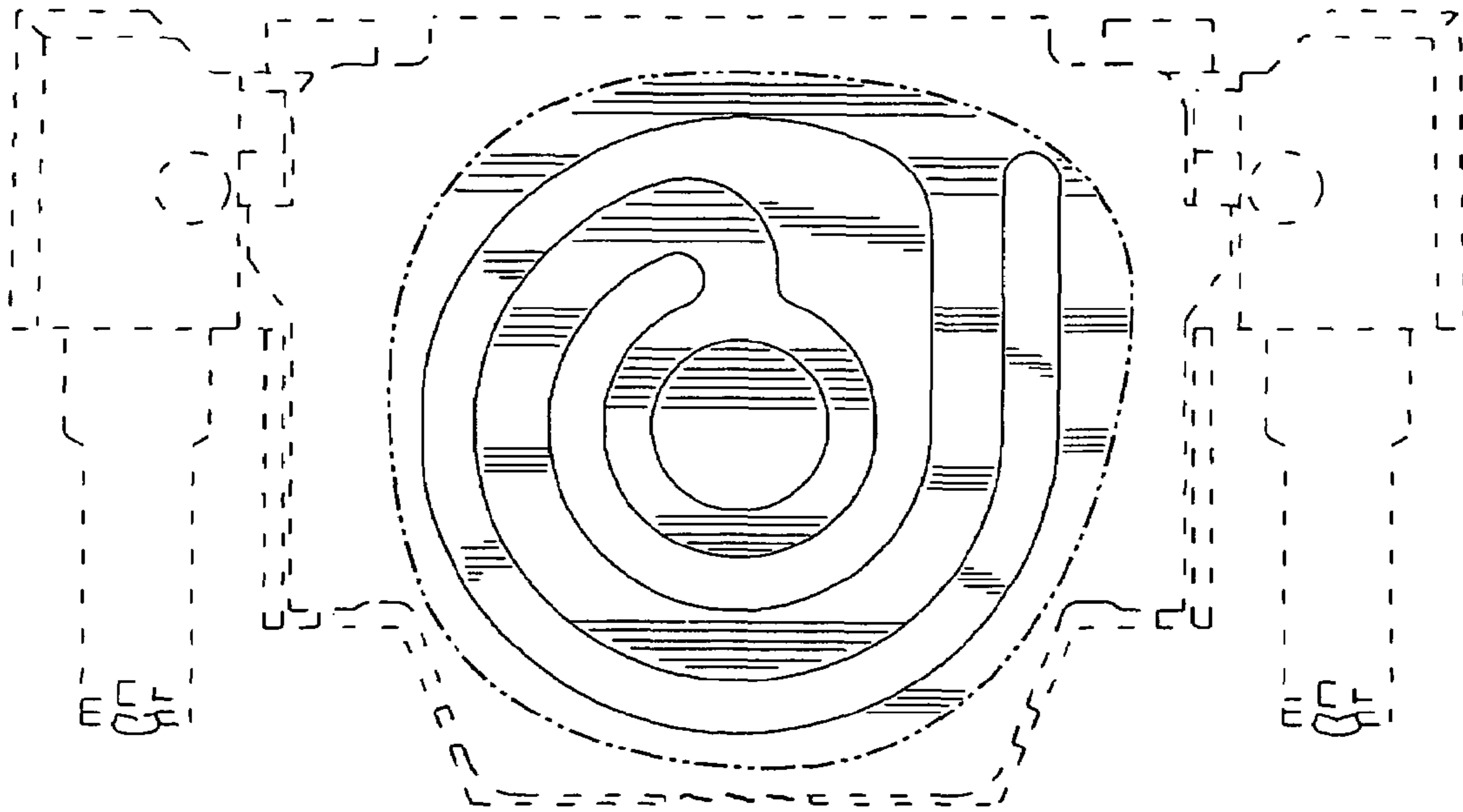


FIG. 1

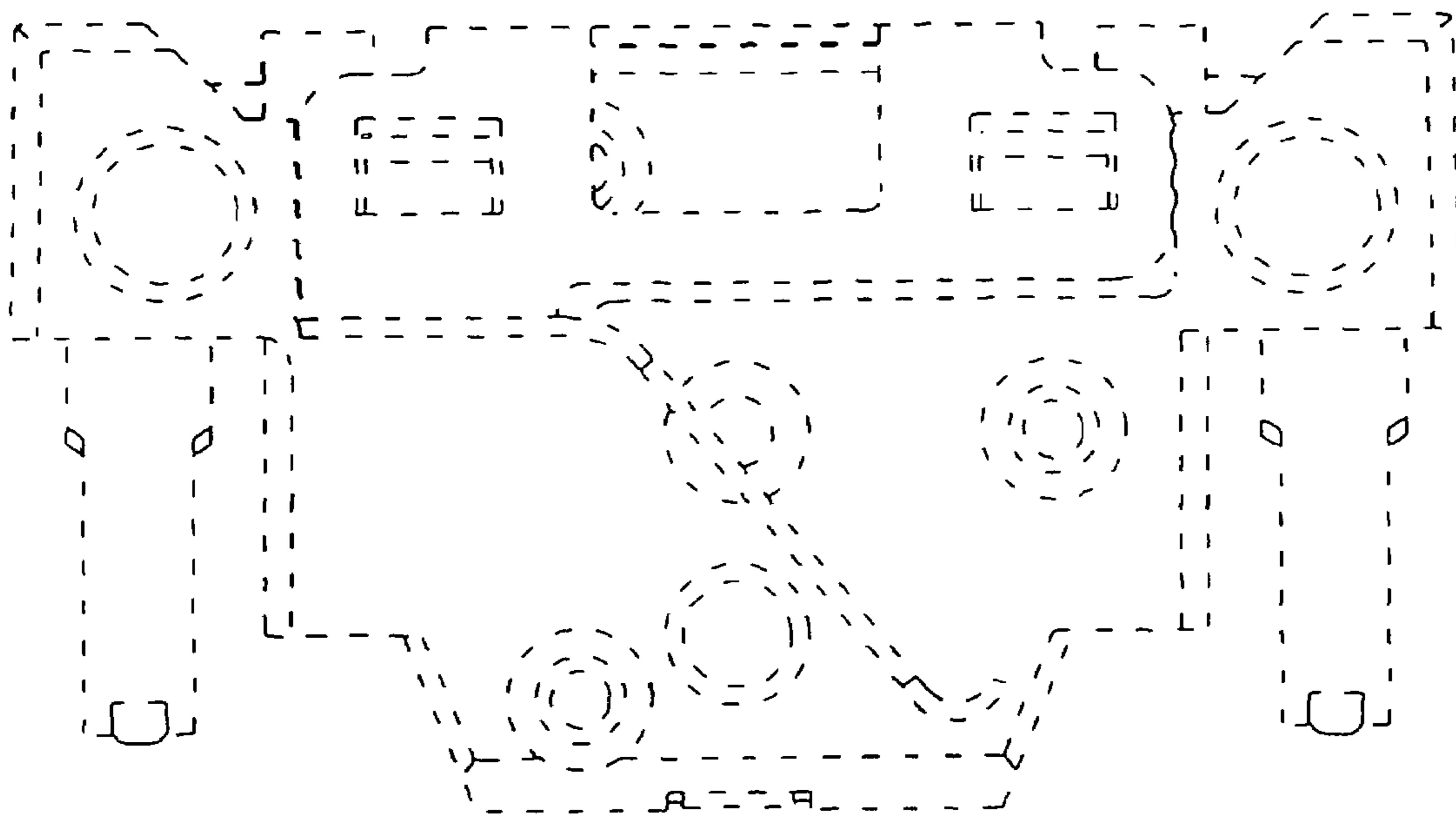


FIG. 2

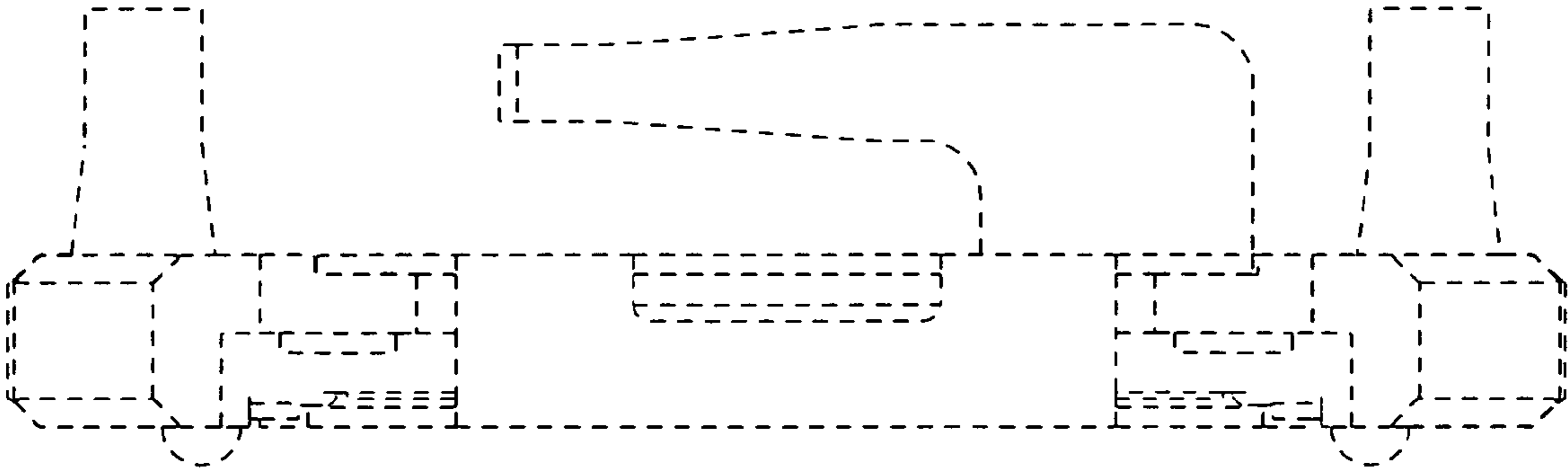


Fig. 3

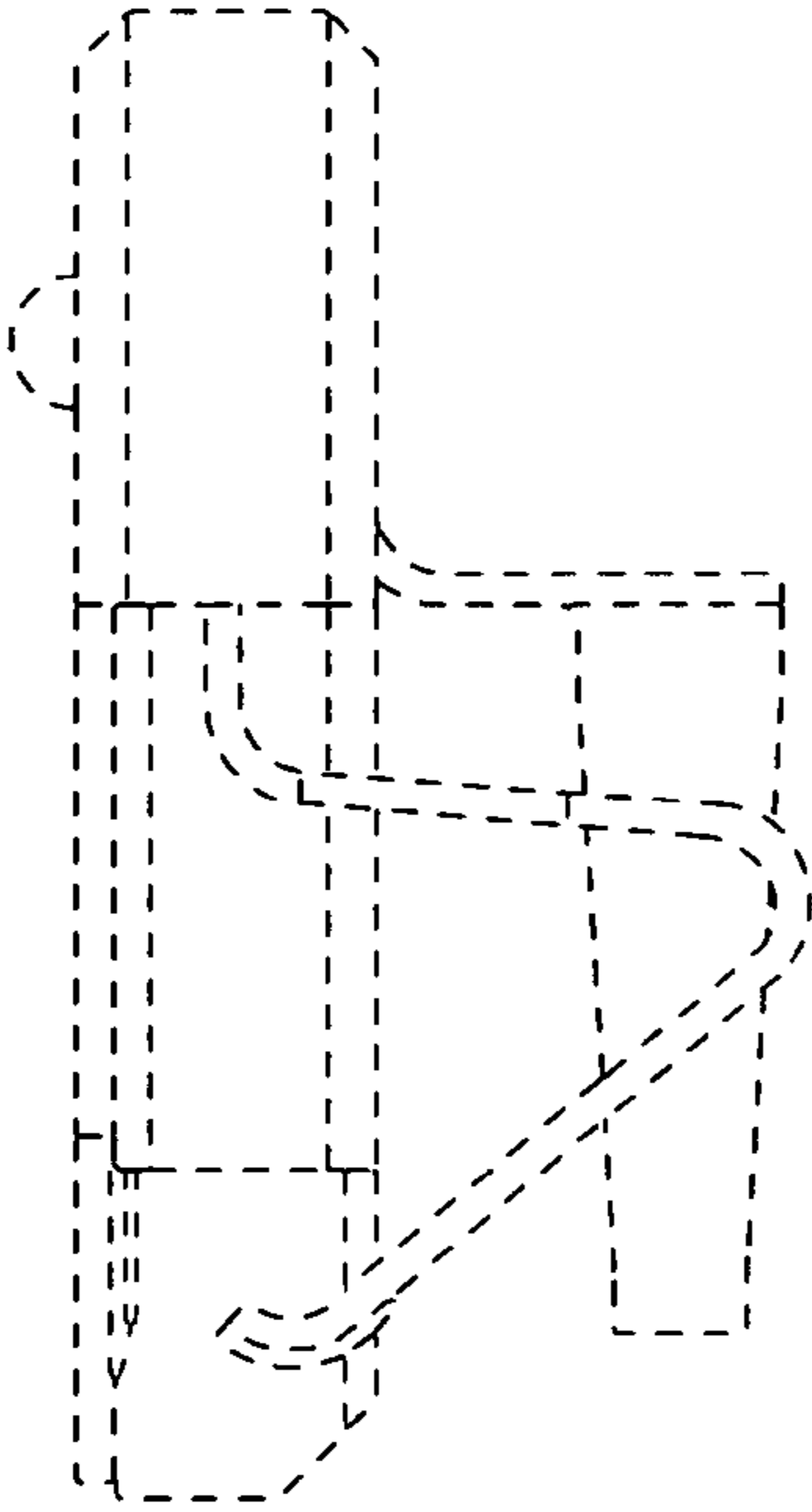


Fig. 4

Fig. 5

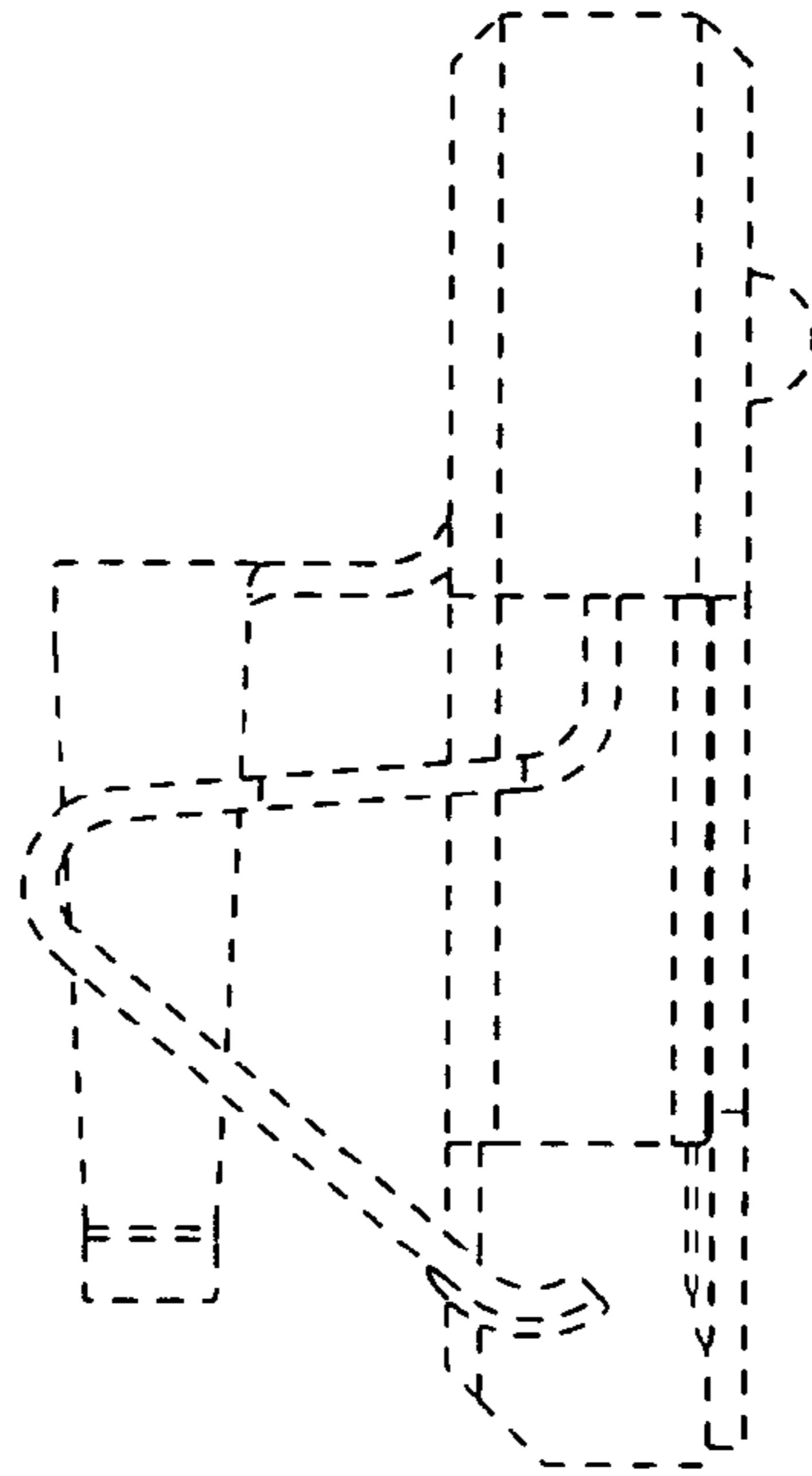


Fig. 6

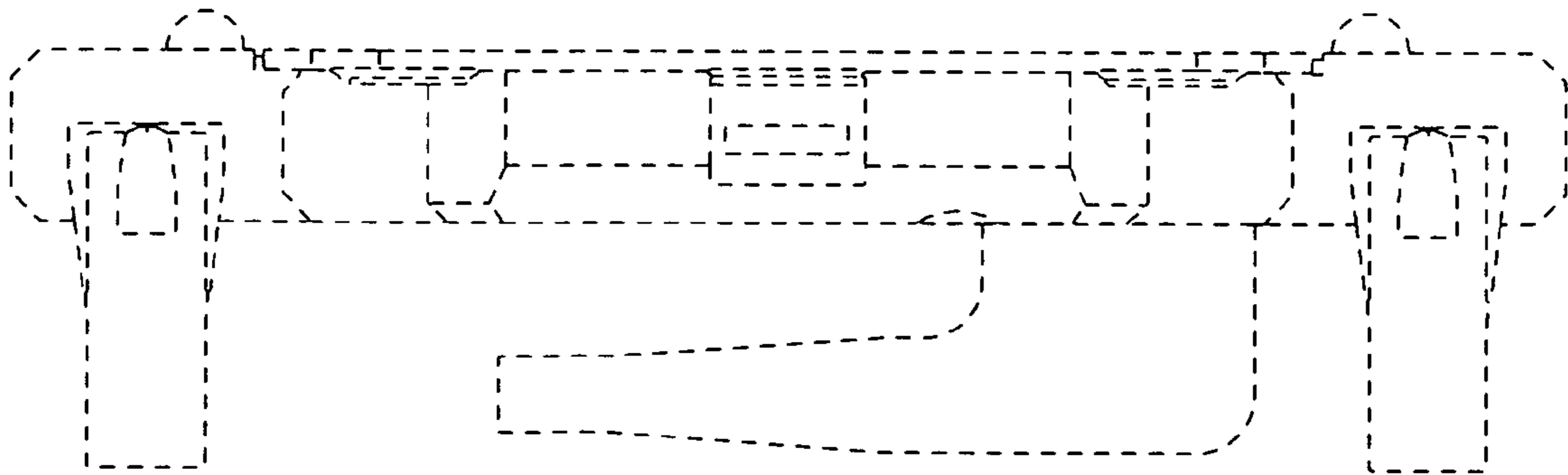


Fig. 7

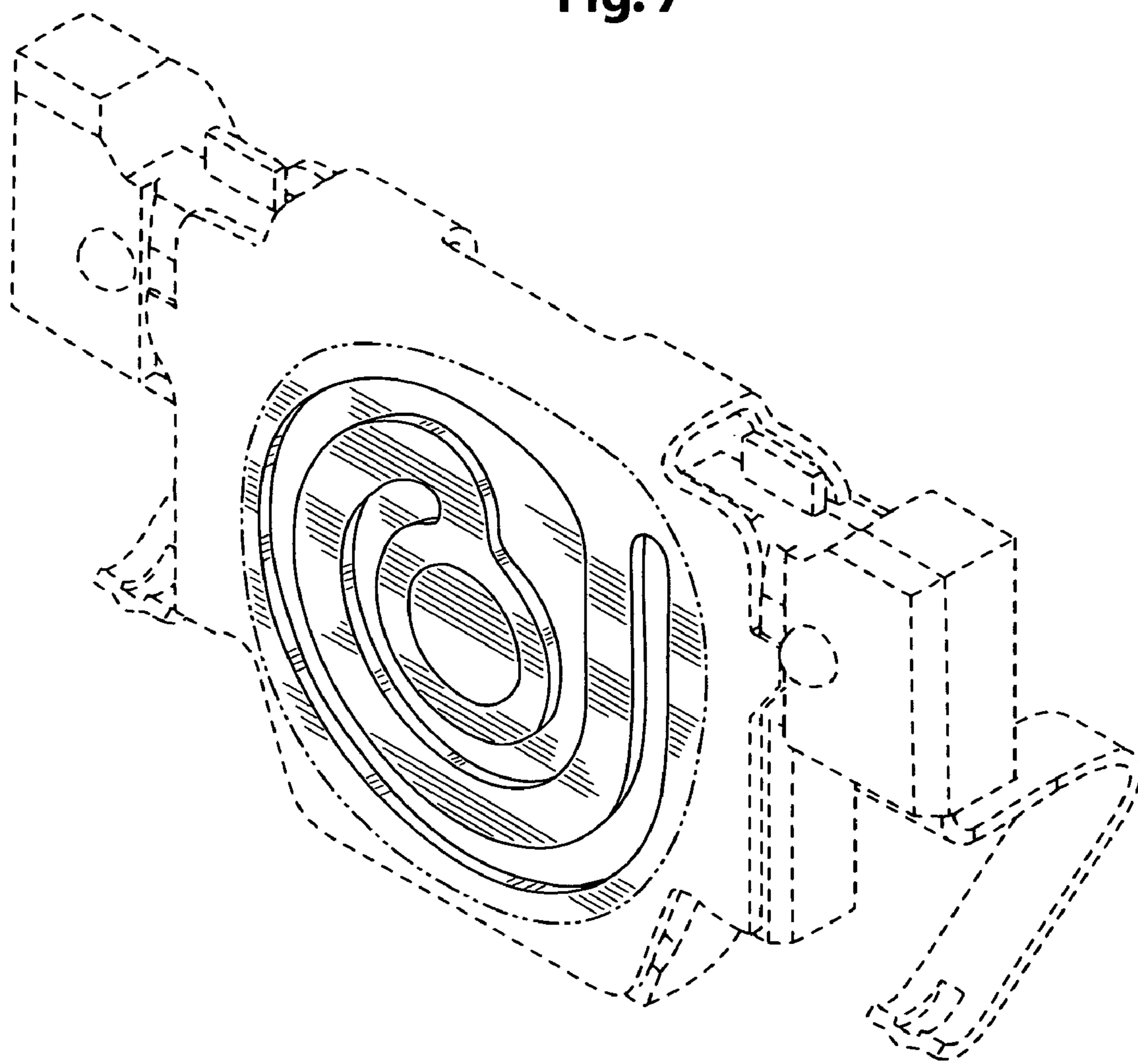


Fig. 8

