



US00D596586S

(12) **United States Design Patent**  
**Mace et al.**

(10) **Patent No.:** **US D596,586 S**  
(45) **Date of Patent:** **\*\* Jul. 21, 2009**

(54) **DIMMER SWITCH**

**DESCRIPTION**

- (75) Inventors: **Eric Johnathan Mace**, Allentown, PA (US); **Elliot G. Jacoby**, Glenside, PA (US)
- (73) Assignee: **Lutron Electronics Co., Inc.**, Coopersburg, PA (US)
- (\* ) Notice: This patent is subject to a terminal disclaimer.
- (\*\*) Term: **14 Years**
- (21) Appl. No.: **29/278,494**
- (22) Filed: **Mar. 30, 2007**
- (51) **LOC (9) Cl.** ..... **13-03**
- (52) **U.S. Cl.** ..... **D13/162; D13/171**
- (58) **Field of Classification Search** ..... D13/162, D13/169, 170; 174/66; 200/530, 531, 536, 200/252, 293, 333, 335, 329; 338/128, 176; D8/353; 307/116, 125, 139  
See application file for complete search history.

(56) **References Cited**

**U.S. PATENT DOCUMENTS**

5,248,919 A 9/1993 Hanna et al.

(Continued)

**OTHER PUBLICATIONS**

U.S. Appl. No. 29/256,275, filed Mar. 17, 2006 to Mayo et al.

(Continued)

*Primary Examiner*—Selina Sikder

(74) *Attorney, Agent, or Firm*—Ostrolenk Faber LLP

(57) **CLAIM**

We claim the ornamental design for a dimmer switch, as shown and described.

FIG. 1 is a perspective view of a dimmer switch according to a first embodiment of our new design.

FIG. 2 is a front view thereof.

FIG. 3 is a left side view thereof.

FIG. 4 is a right side view thereof.

FIG. 5 is a top view thereof.

FIG. 6 is a bottom view thereof.

FIG. 7 is a perspective view of a dimmer switch according to a second embodiment of our new design.

FIG. 8 is a front view thereof.

FIG. 9 is a left side view thereof.

FIG. 10 is a right side view thereof.

FIG. 11 is a top view thereof.

FIG. 12 is a bottom view thereof.

FIG. 13 is a perspective view of a dimmer switch according to a third embodiment of our new design.

FIG. 14 is a front view thereof.

FIG. 15 is a left side view thereof.

FIG. 16 is a right side view thereof.

FIG. 17 is a top view thereof.

FIG. 18 is a bottom view thereof.

FIG. 19 is a perspective view of a dimmer switch according to a fourth embodiment of our new design.

FIG. 20 is a front view thereof.

FIG. 21 is a left side view thereof.

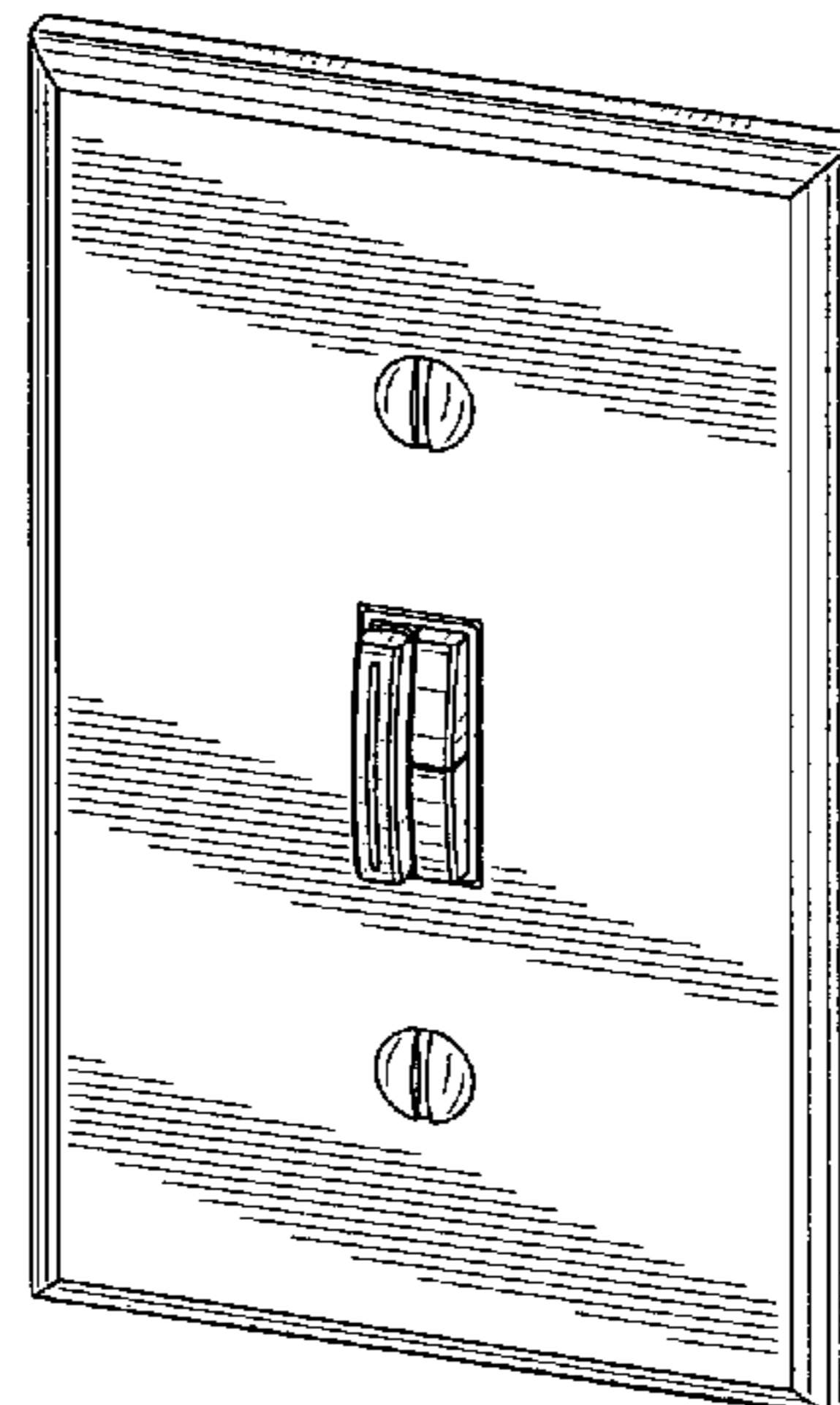
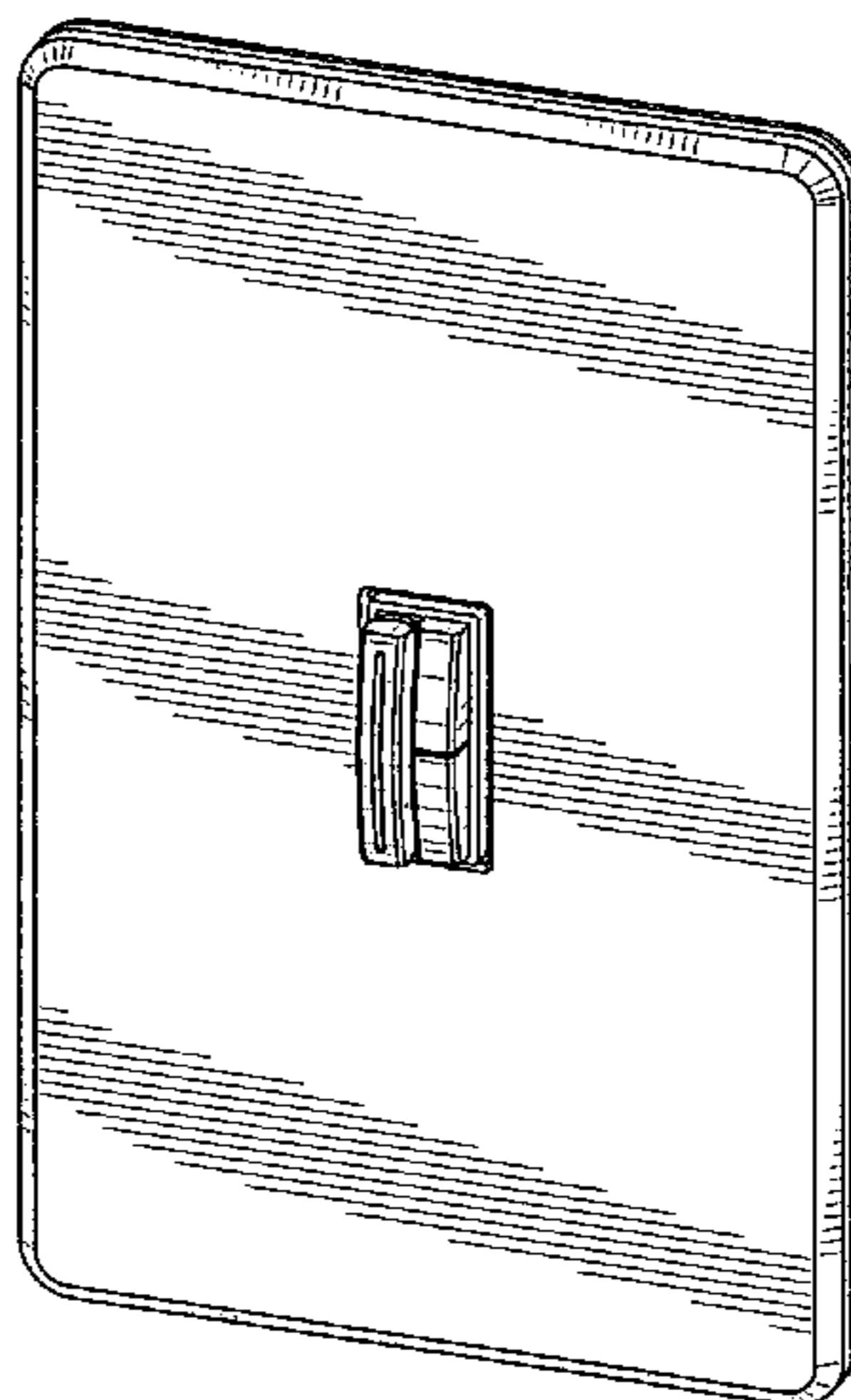
FIG. 22 is a right side view thereof.

FIG. 23 is a top view thereof; and,

FIG. 24 is a bottom view thereof.

The rear views form no part of the design and are omitted. The portions of the drawings appearing in broken line are for environment only and do not form a part of the design.

**1 Claim, 16 Drawing Sheets**



# US D596,586 S

Page 2

## U.S. PATENT DOCUMENTS

D353,798 S 12/1994 Bryde et al.  
5,637,930 A \* 6/1997 Rowen et al. .... 307/112  
D436,930 S 1/2001 Butler  
D471,880 S 3/2003 Mayo et al.  
D472,527 S 4/2003 Mayo et al.  
D477,290 S 7/2003 Mayo et al.  
D477,573 S 7/2003 Mayo et al.  
D477,574 S \* 7/2003 Mayo et al. .... D13/171  
D477,578 S 7/2003 Mayo et al.  
D478,554 S 8/2003 Mayo et al.  
D479,206 S 9/2003 Mayo et al.  
D479,207 S 9/2003 Mayo et al.  
6,727,446 B1 4/2004 Mayo et al.  
6,734,381 B2 5/2004 Mayo et al.  
D526,969 S 8/2006 Spira  
D534,872 S 1/2007 Spira  
D538,759 S 3/2007 Spira et al.  
D541,222 S 4/2007 Mayo et al.  
D542,742 S 5/2007 Spira  
D543,511 S 5/2007 Altonen et al.  
D547,735 S \* 7/2007 Altonen et al. .... D13/170

D559,791 S \* 1/2008 Mayo et al. .... D13/162  
D566,048 S \* 4/2008 Mace et al. .... D13/162  
D566,052 S \* 4/2008 Ochs et al. .... D13/170  
D568,828 S \* 5/2008 Mayo et al. .... D13/171  
2006/0273970 A1 12/2006 Mosebrook et al.  
2006/0284734 A1 12/2006 Newman, Jr.  
2007/0007826 A1 1/2007 Mosebrook et al.

## OTHER PUBLICATIONS

U.S. Appl. No. 29/267,348, filed Oct. 11, 2006 to Altonen et al.

U.S. Appl. No. 29/267,915, filed Oct. 25, 2006 to Mace et al.

U.S. Appl. No. 29/267,916, filed Oct. 25, 2006 to Ochs et al.

Lutron Electronics, Switching Systems Technical Guide, Aug. 2004, pp. front cover, 51, rear cover.

Lutron Electronics, Adeo Digital Fade Dimmers Brochure, Oct. 2006, 4 pages.

Lutron Electronics, Sungem Dimmers & Switches Brochure, Oct. 2006, 4 pages.

\* cited by examiner

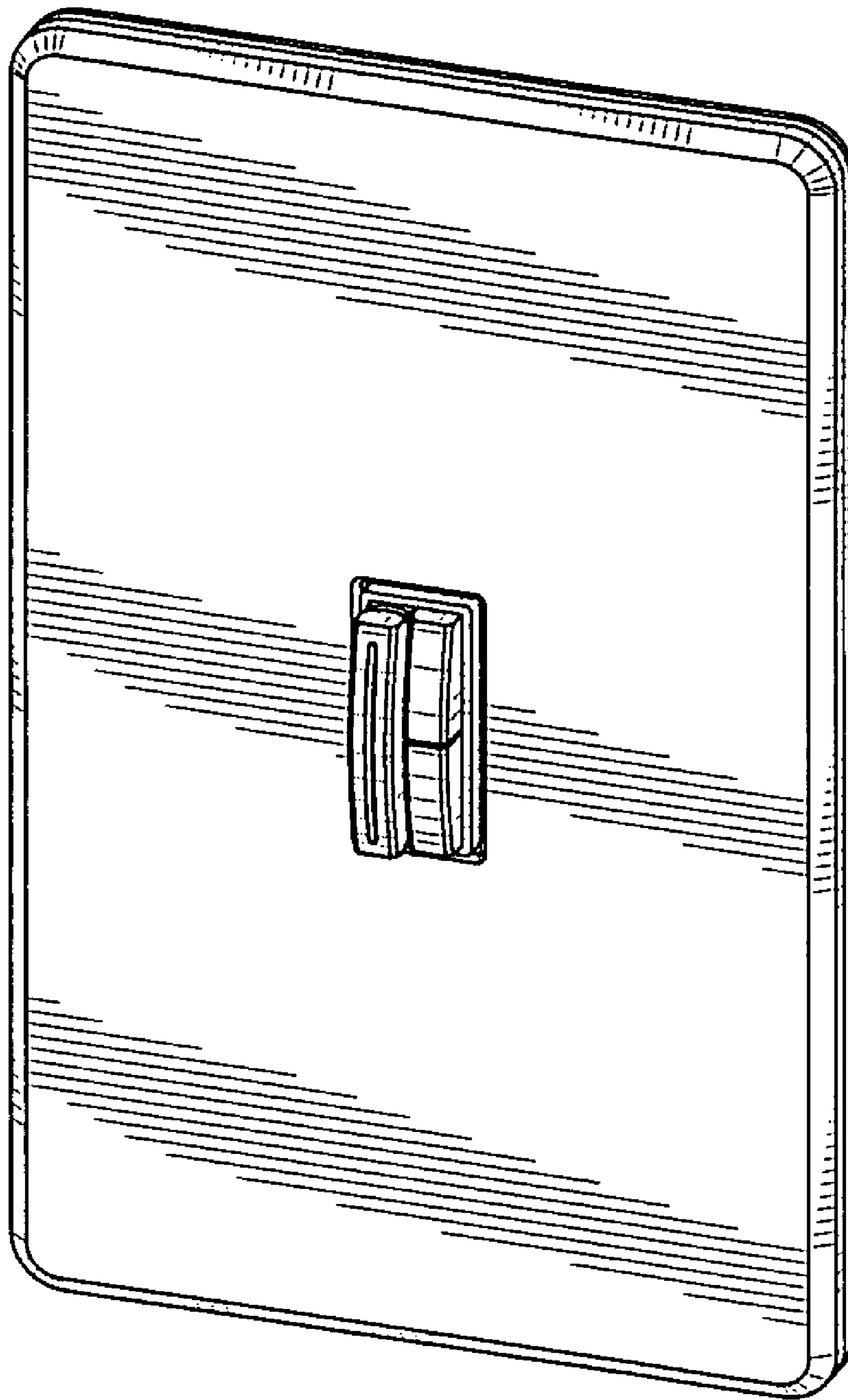


Fig. 1

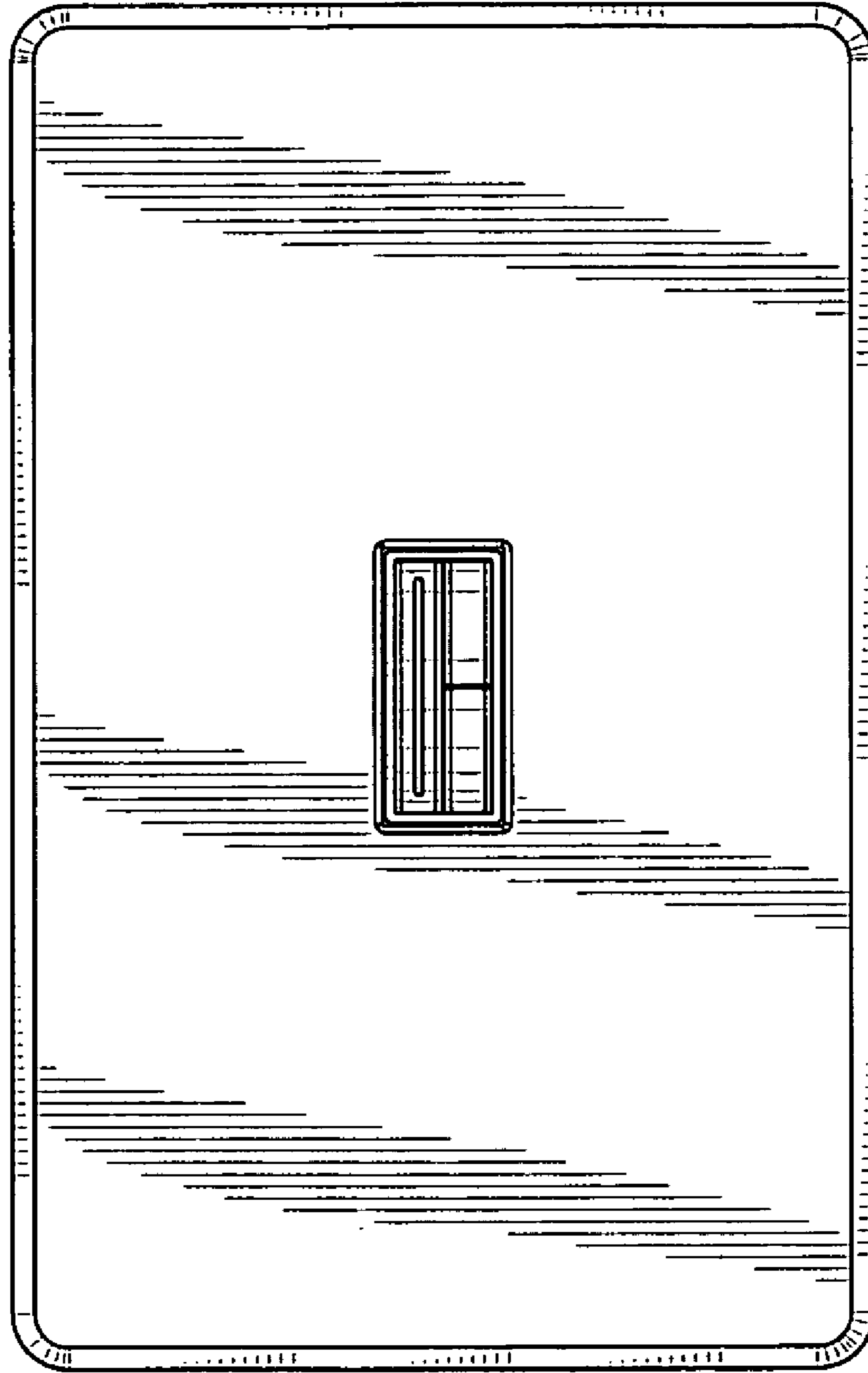


Fig. 2

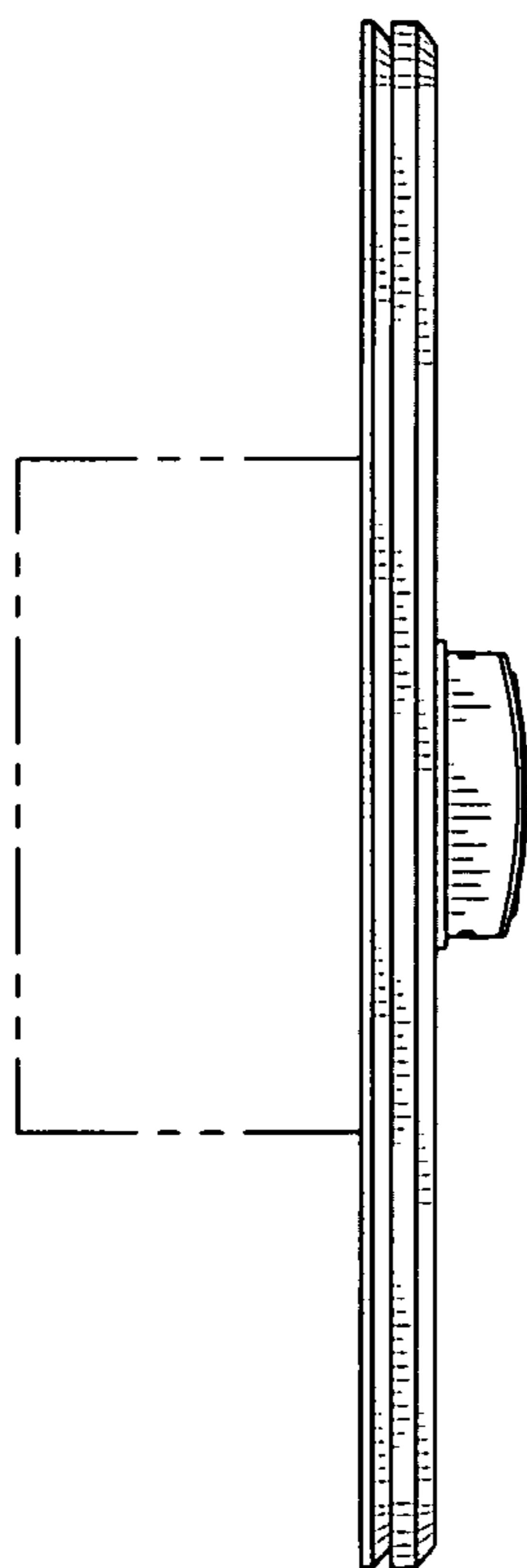


Fig. 3

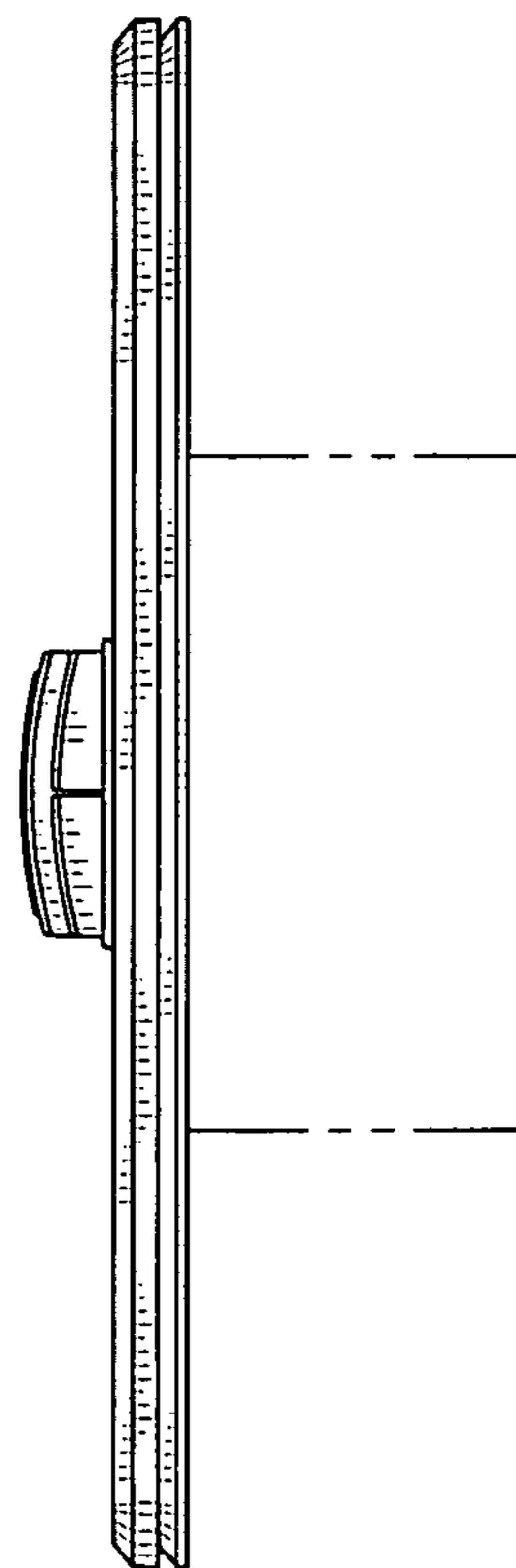


Fig. 4

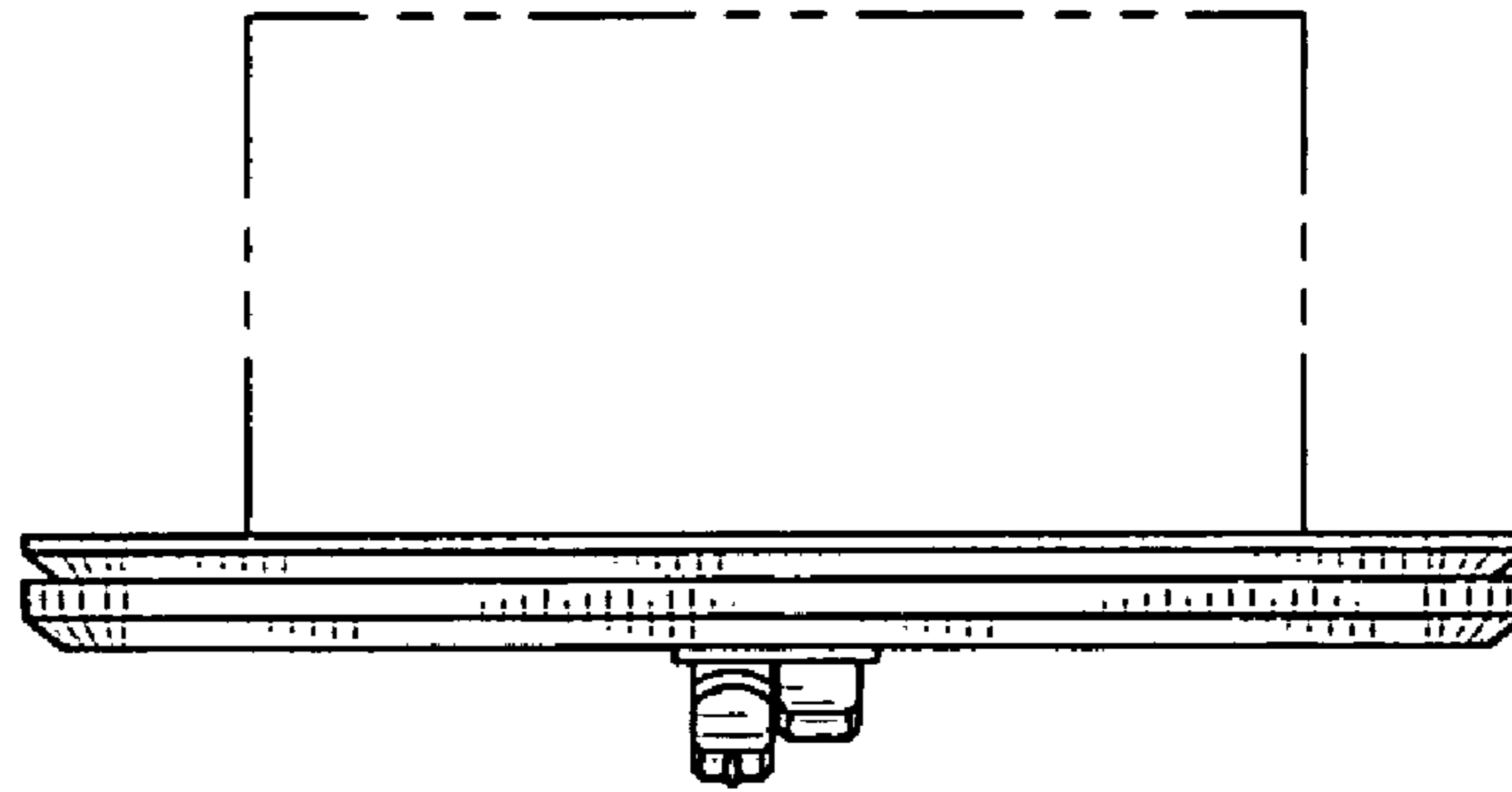


Fig. 5

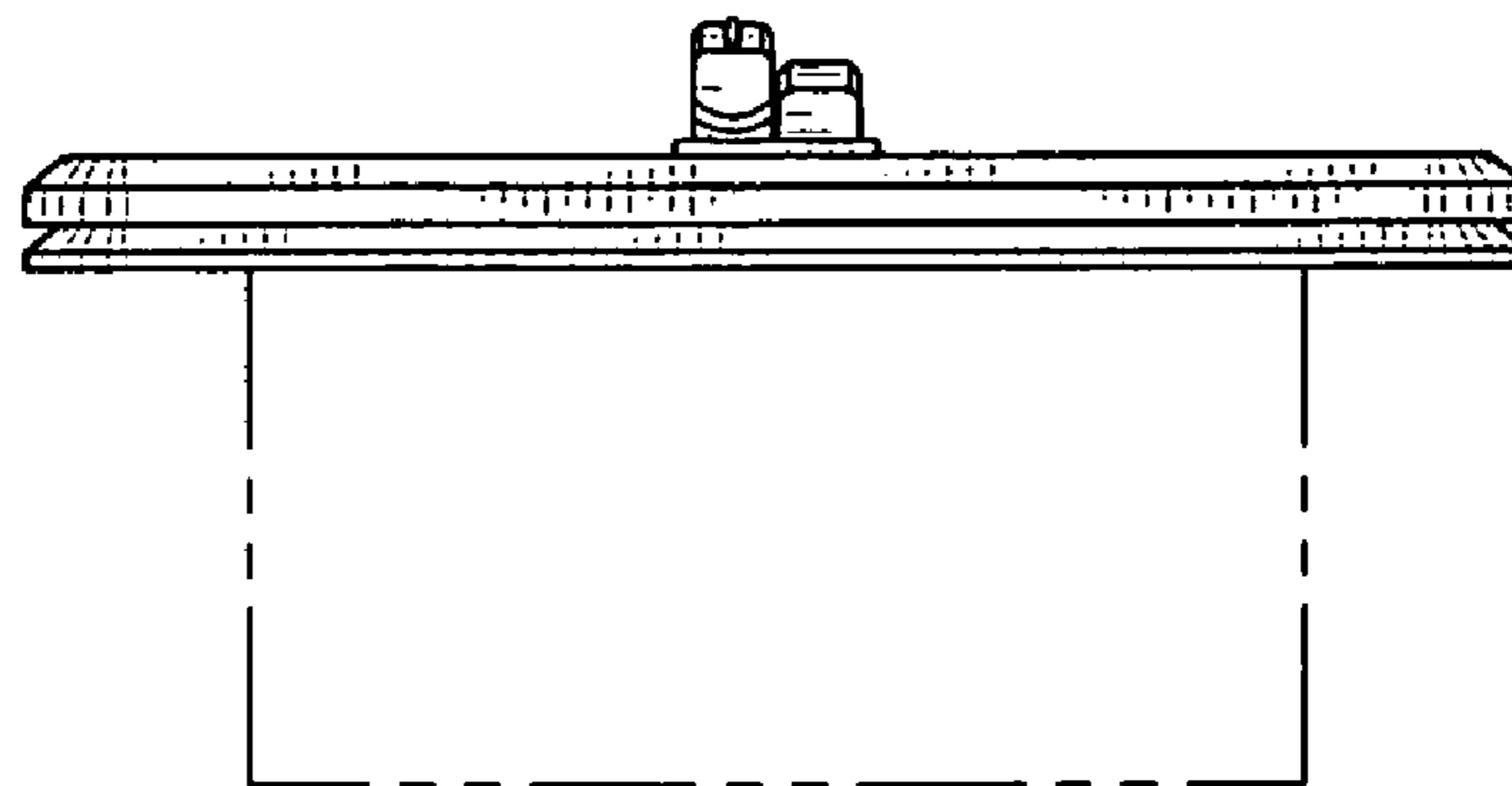


Fig. 6

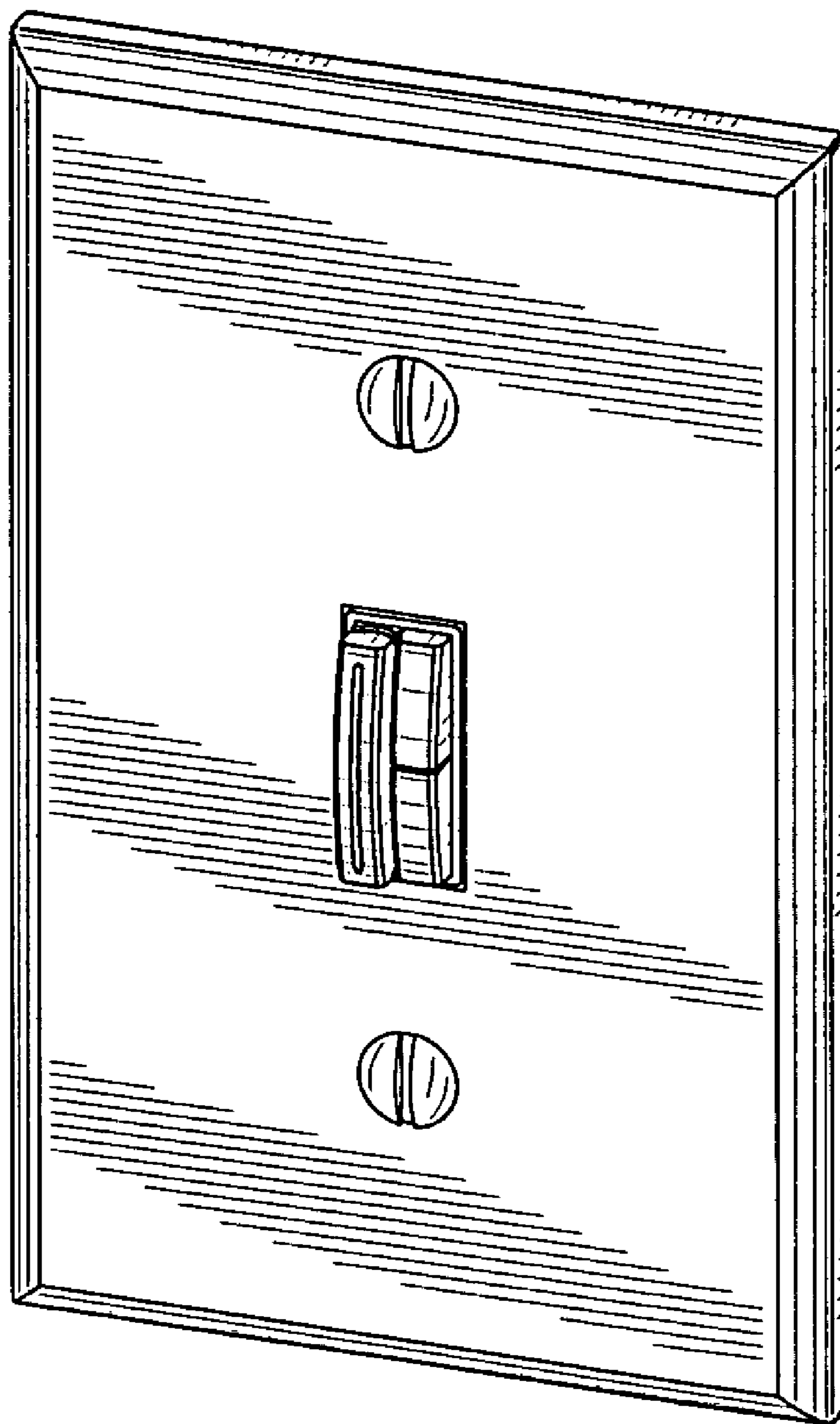


Fig. 7

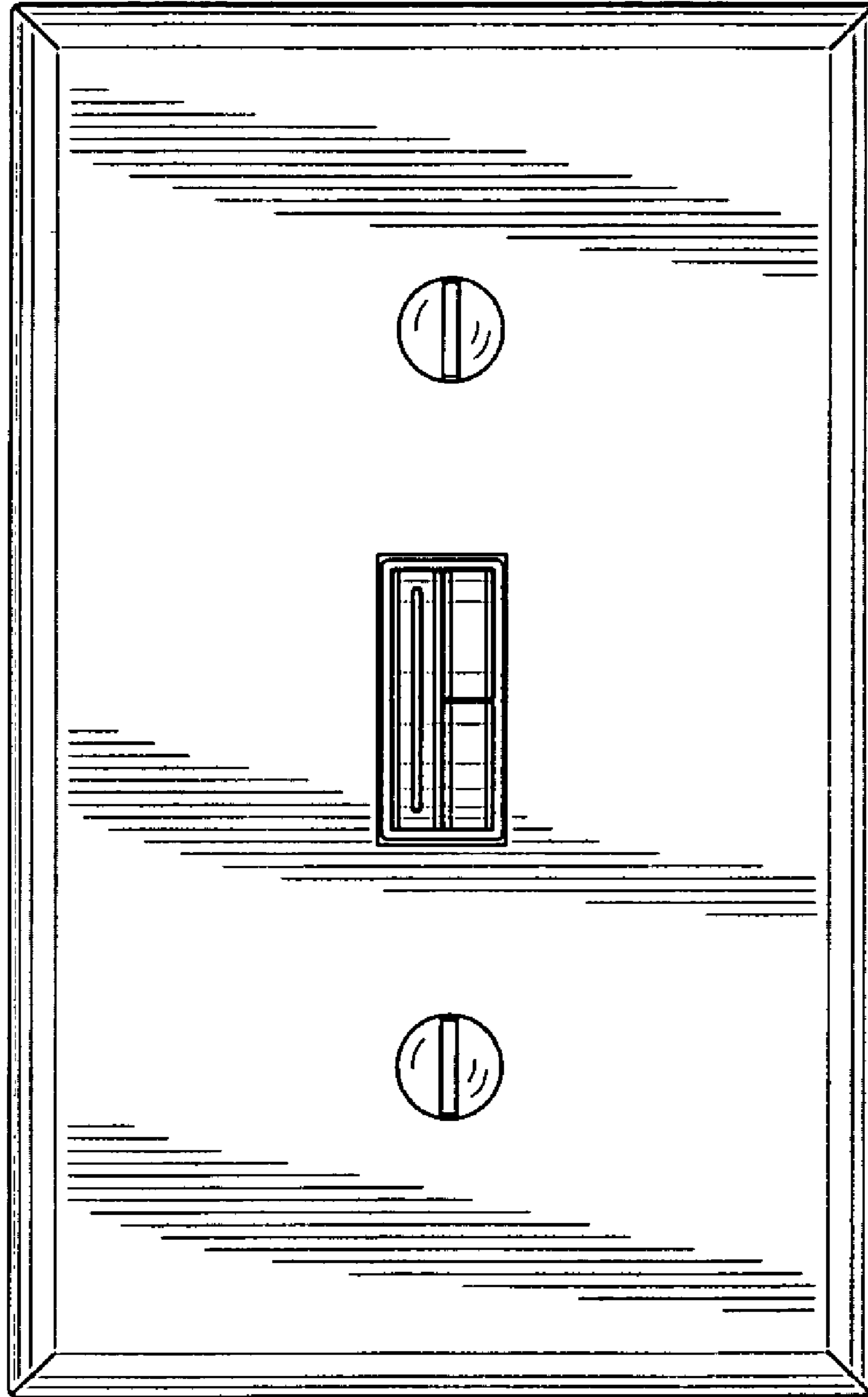


Fig. 8



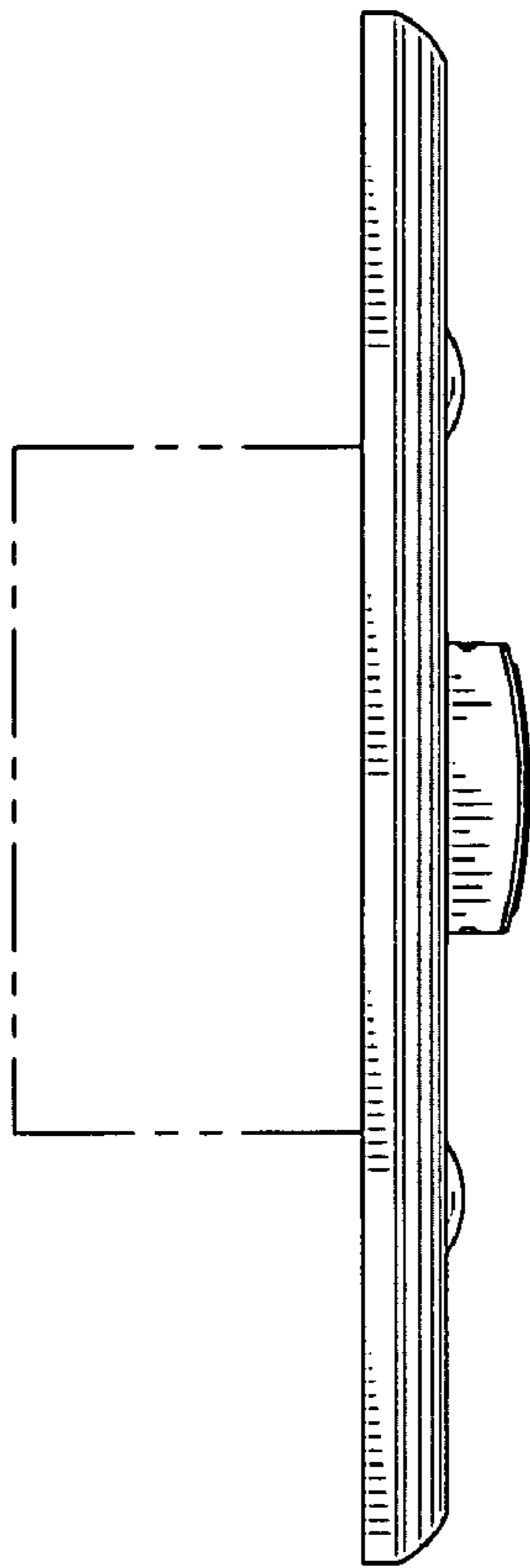


Fig. 9

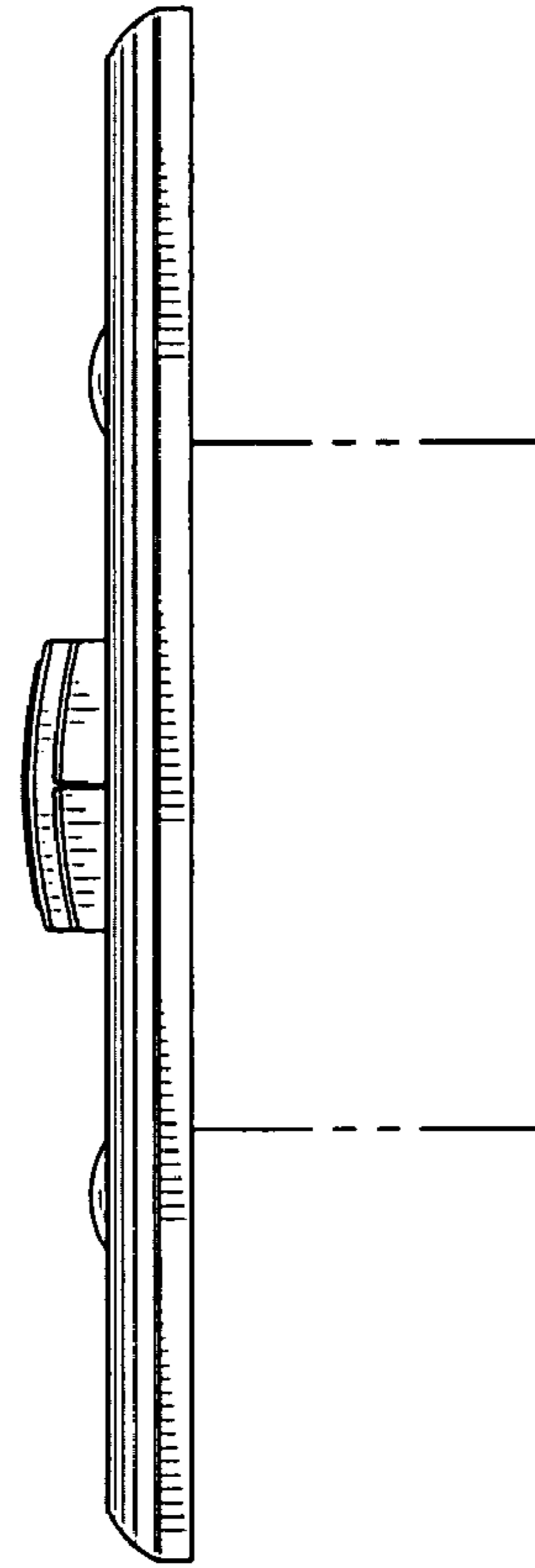


Fig. 10

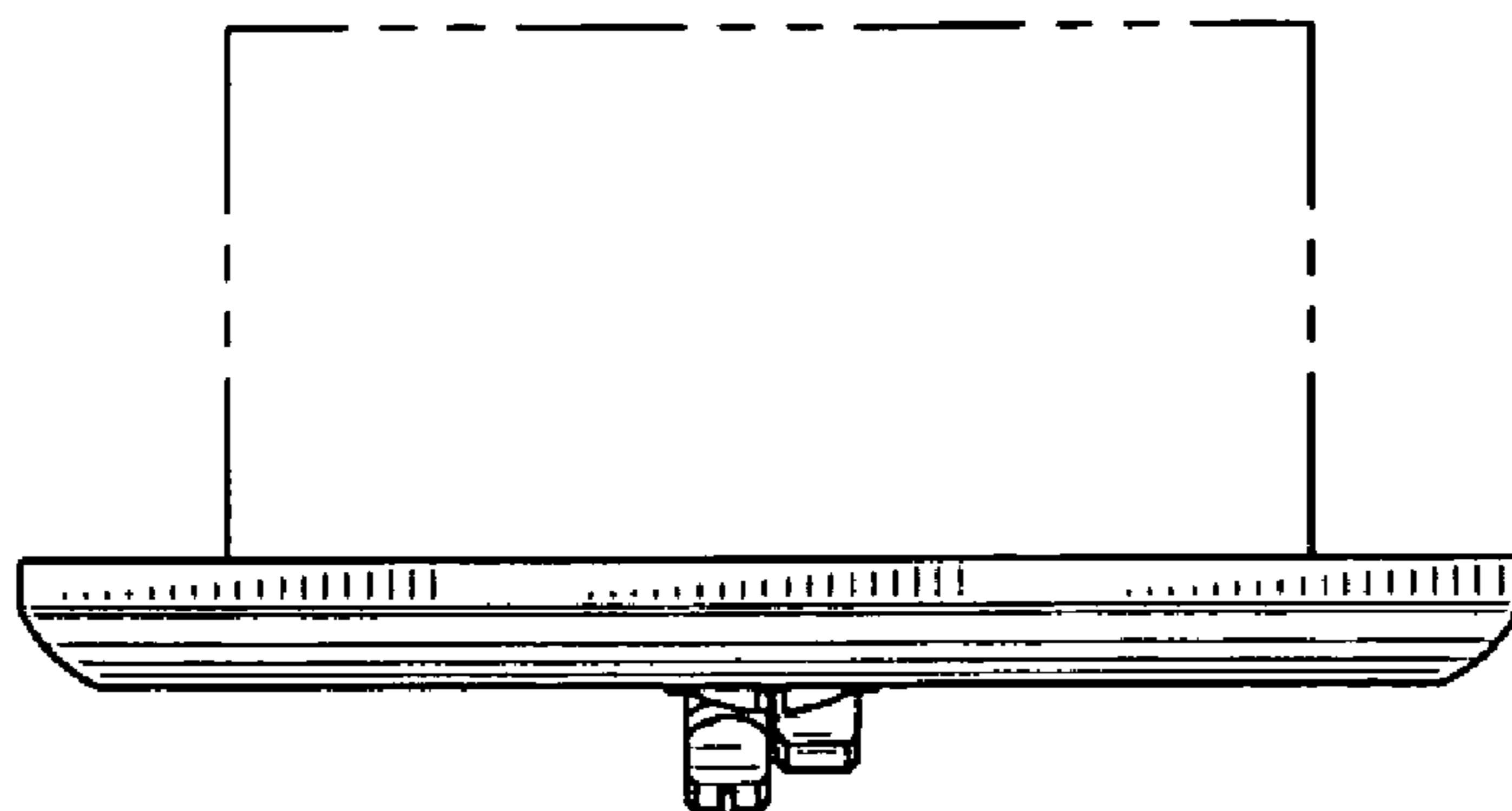


Fig. 11

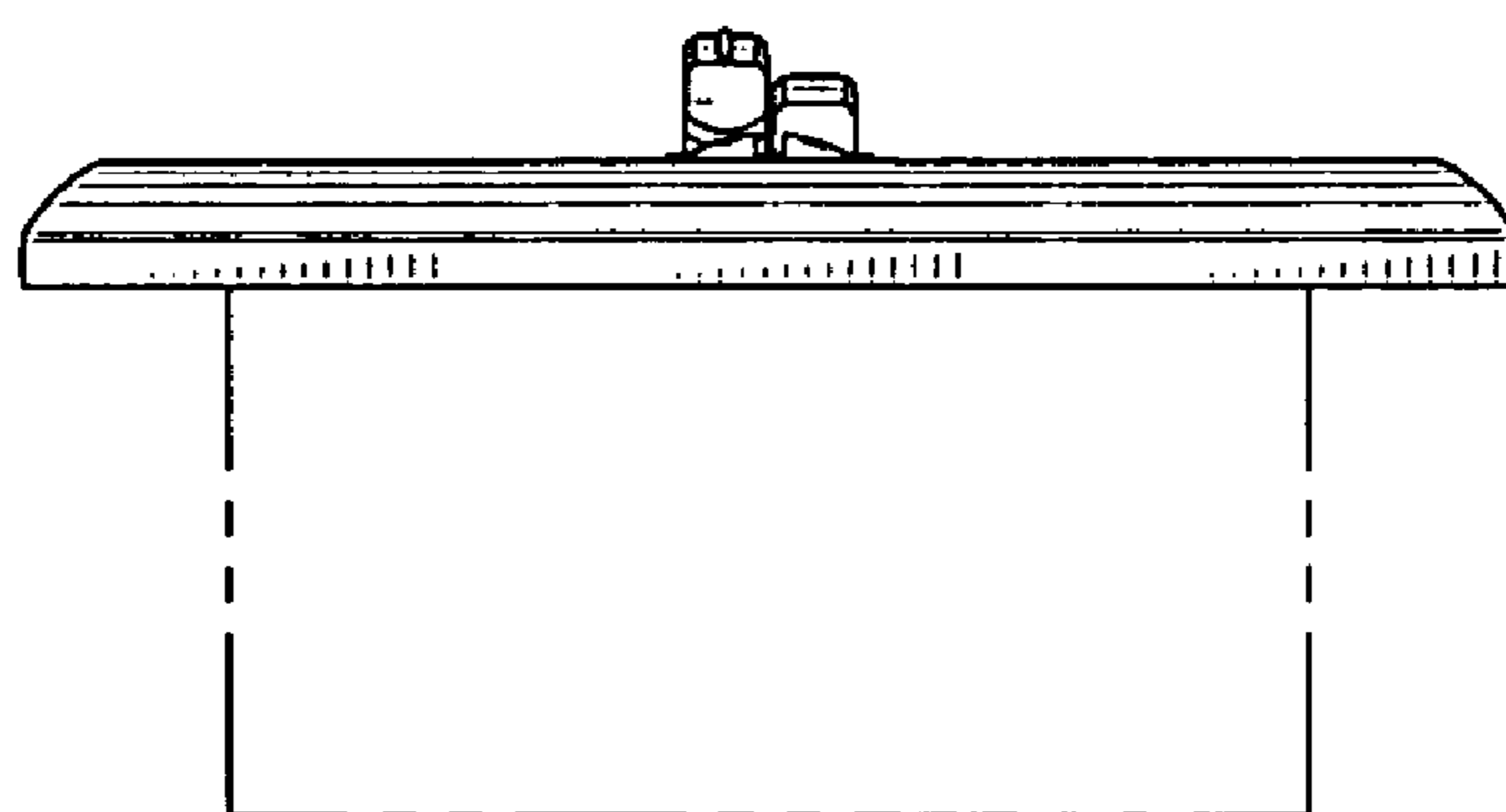


Fig. 12

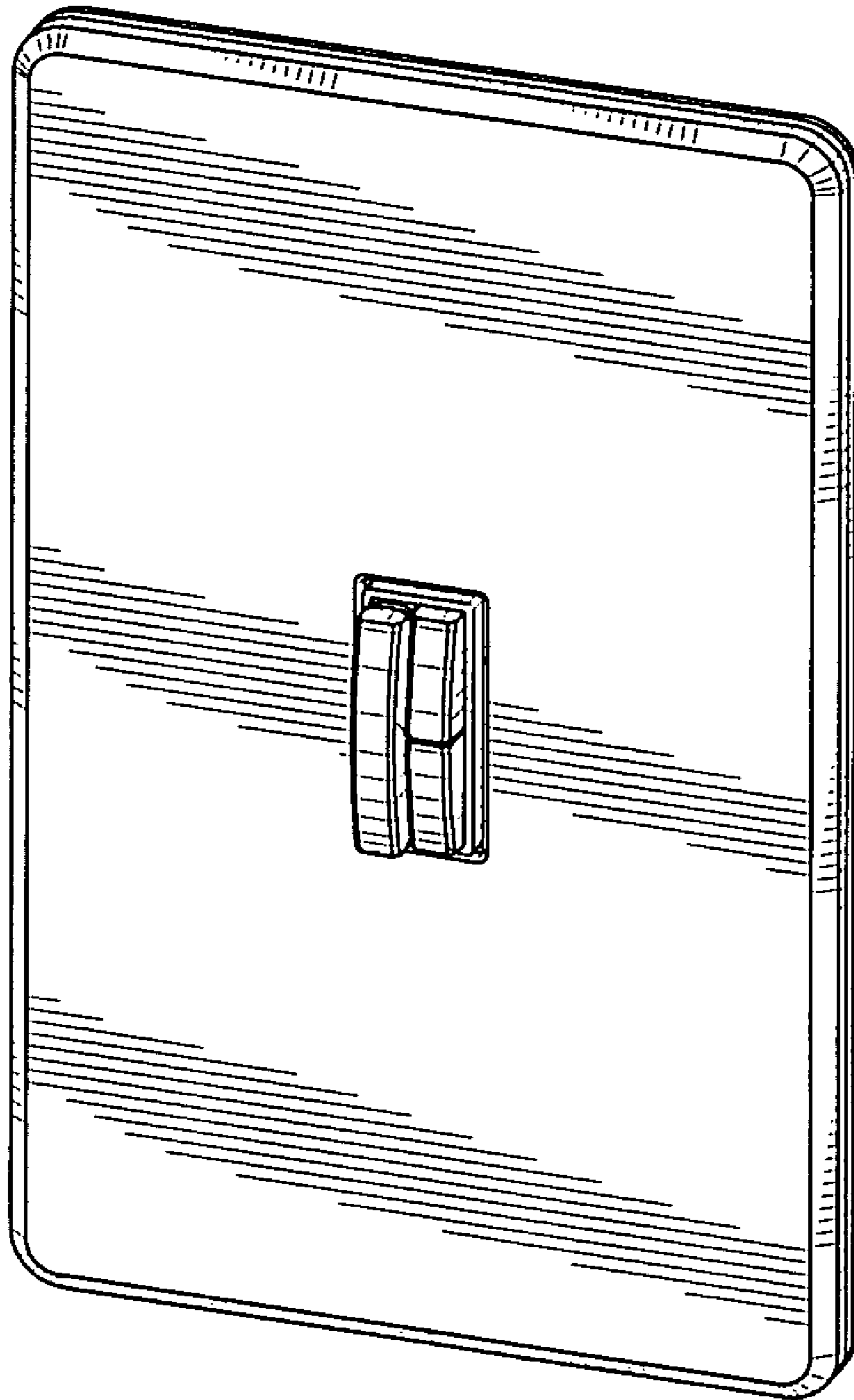


Fig. 13

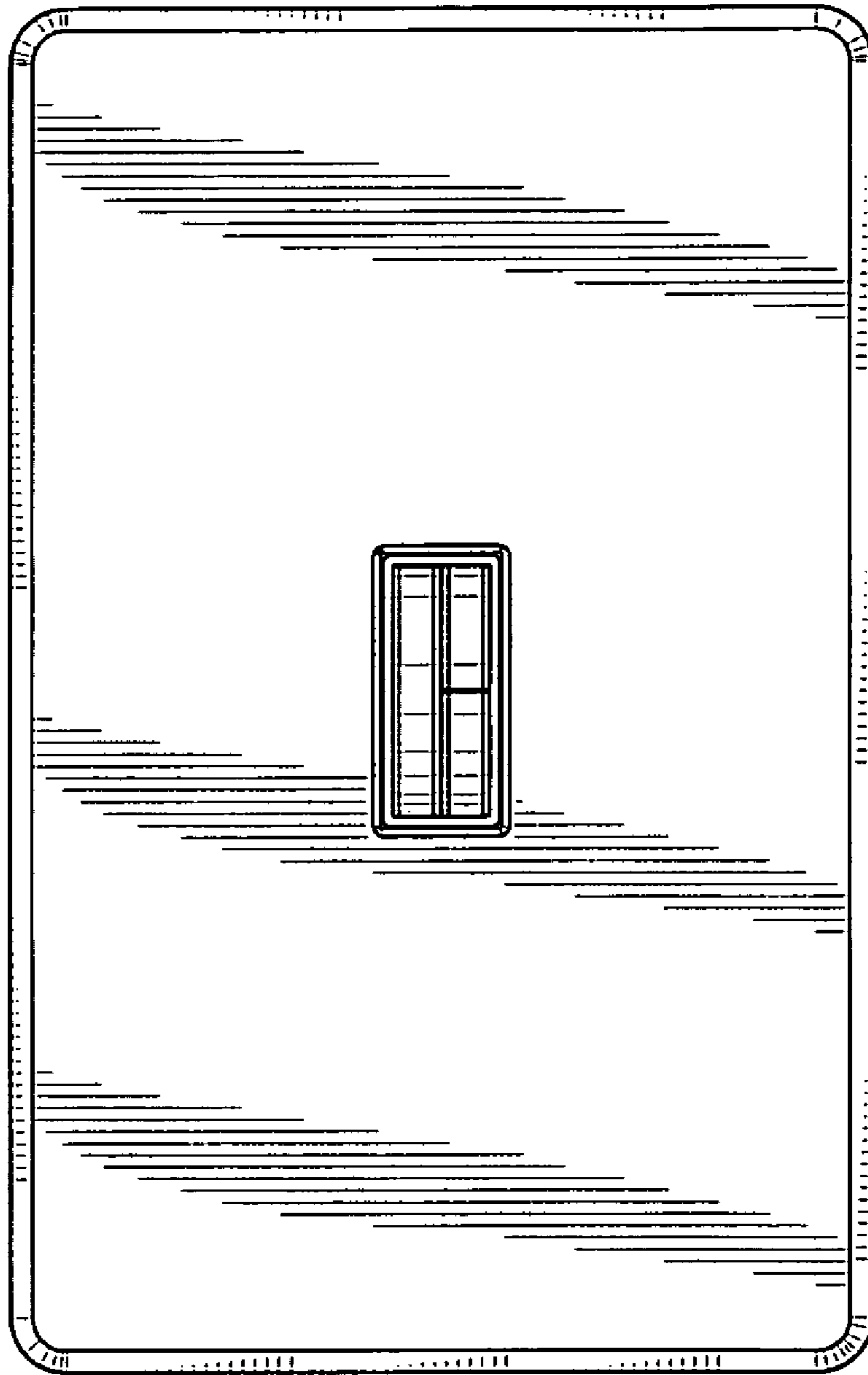


Fig. 14

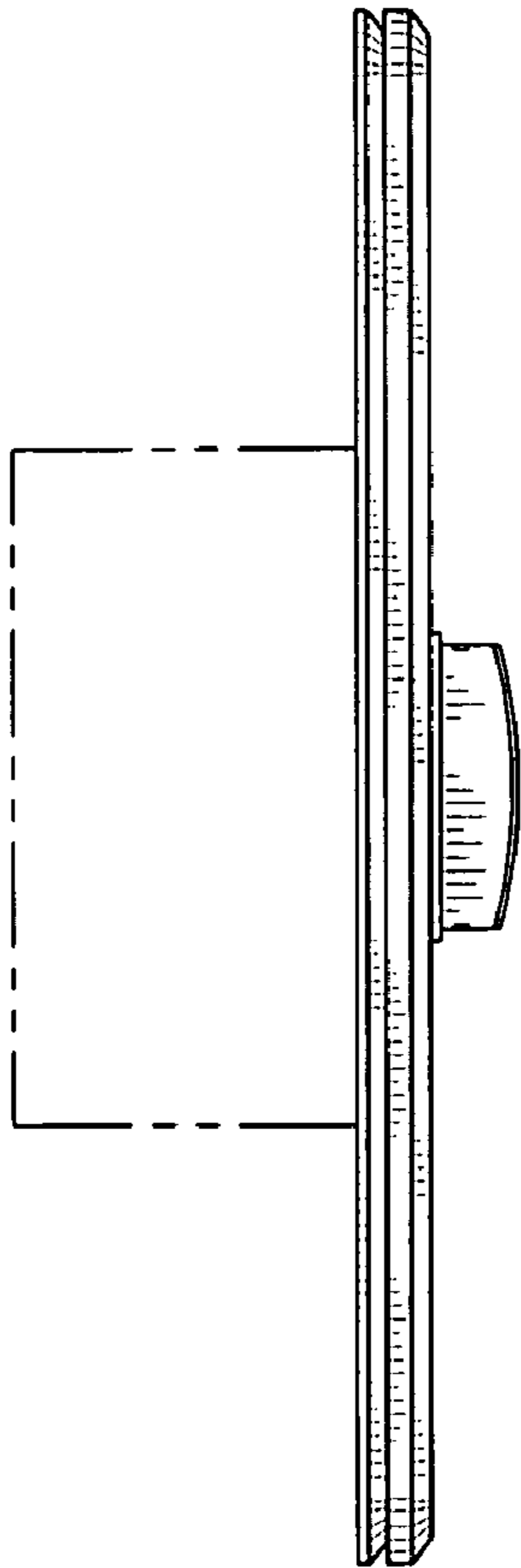


Fig. 15

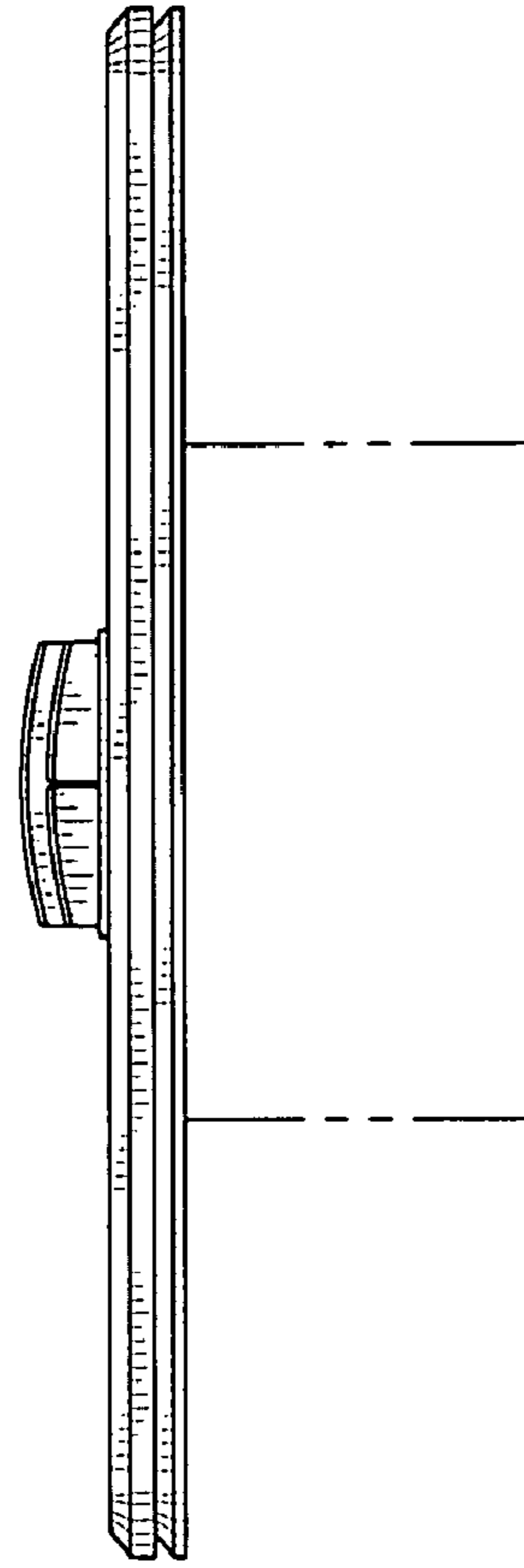


Fig. 16

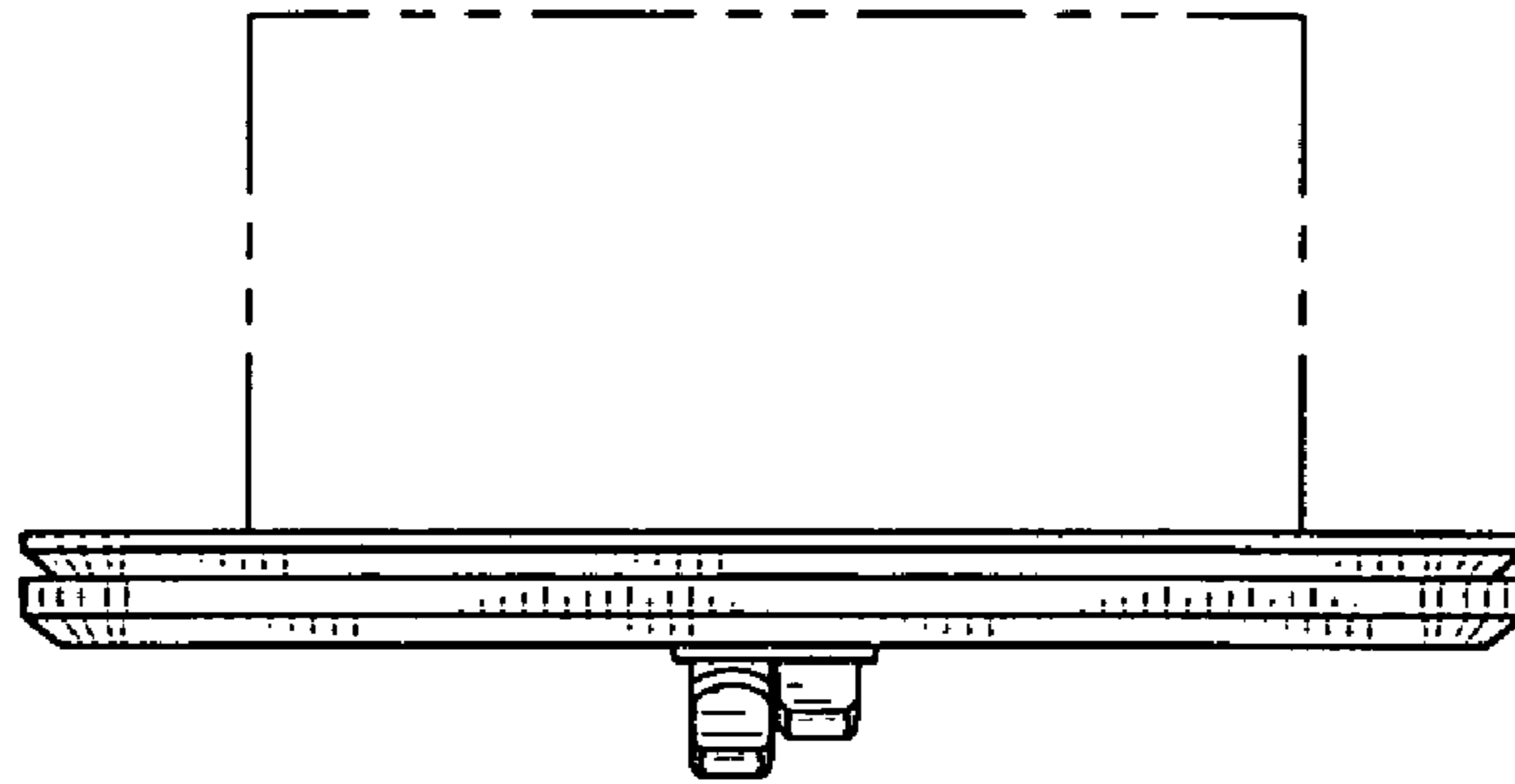


Fig. 17

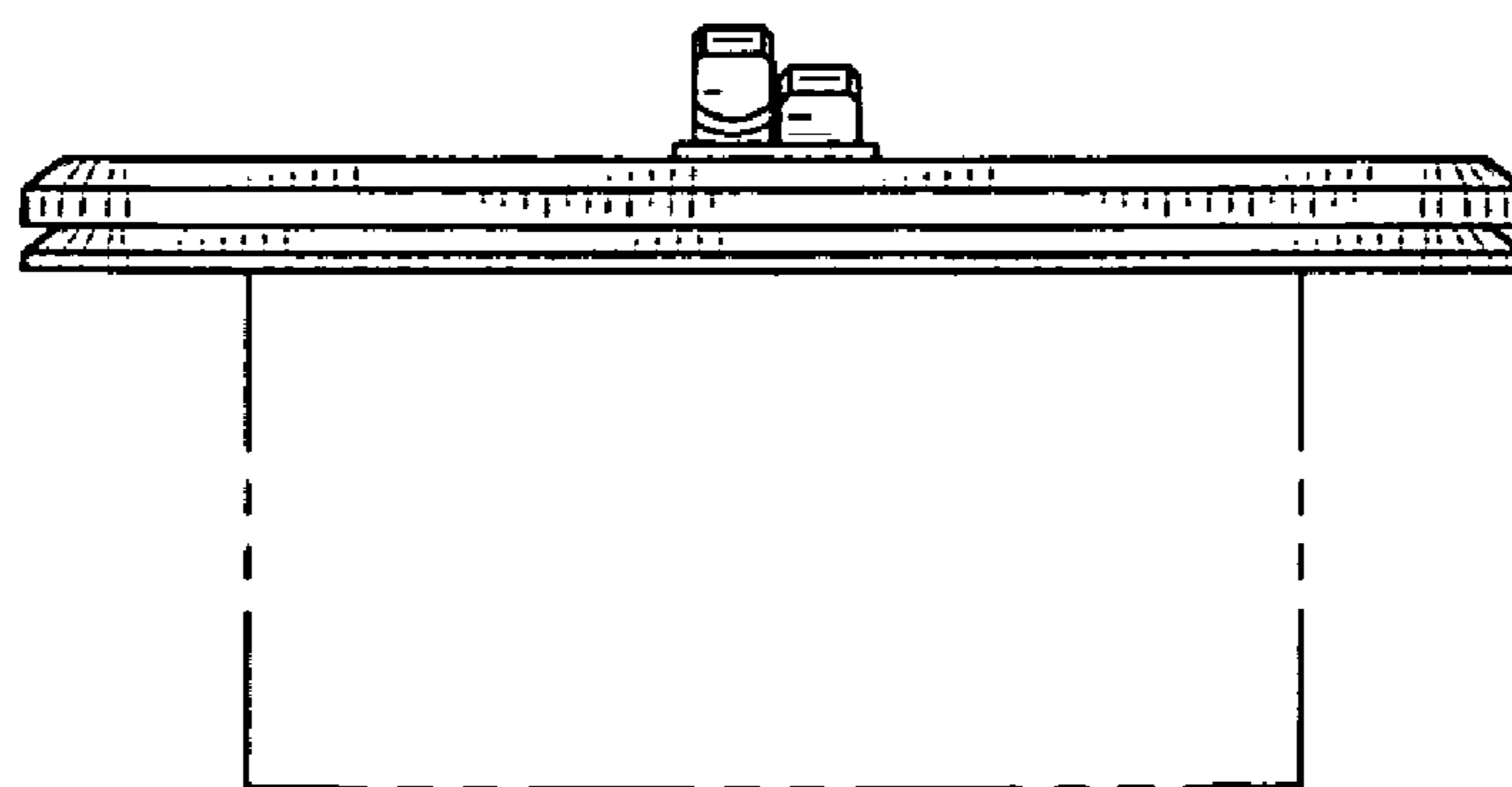


Fig. 18

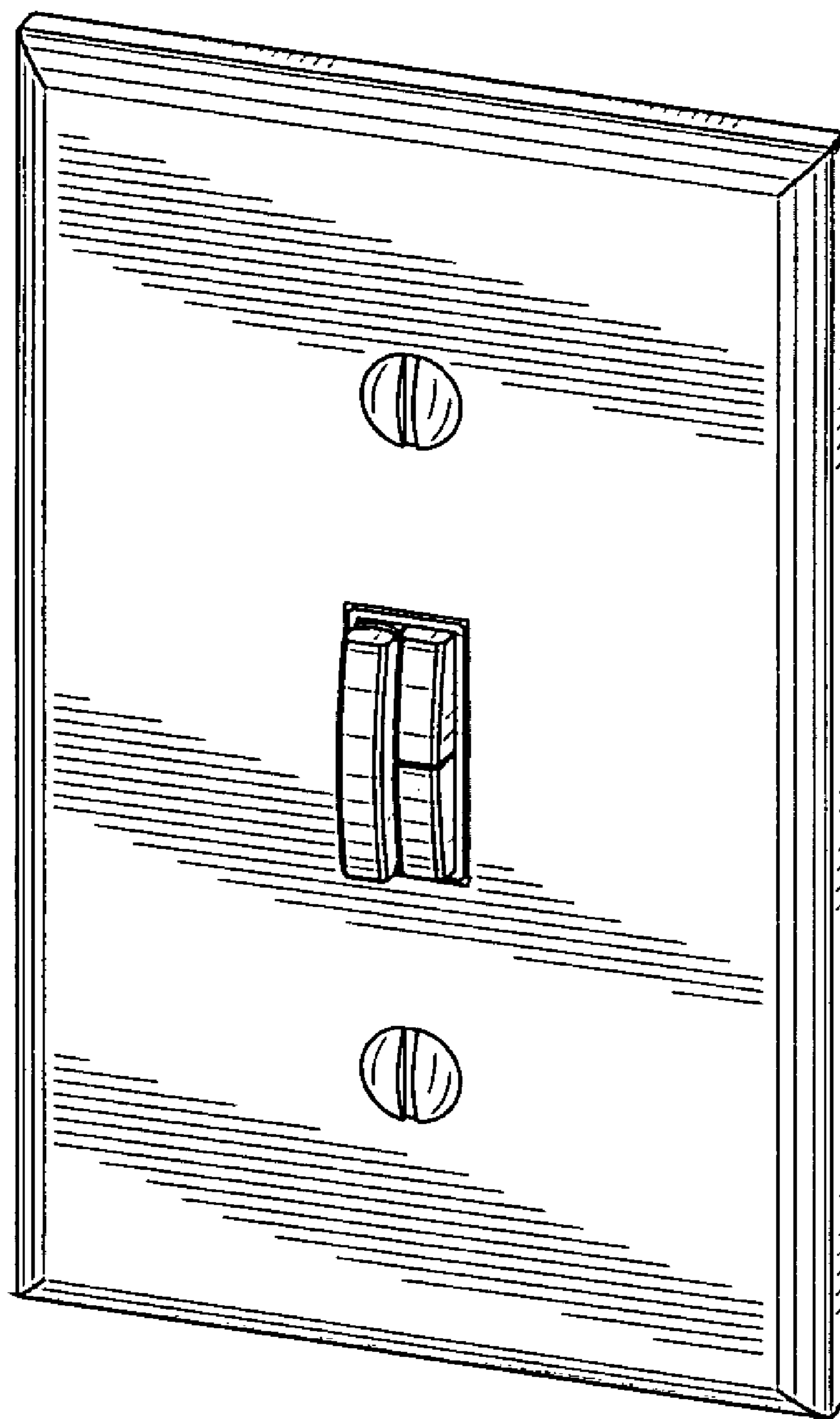


Fig. 19

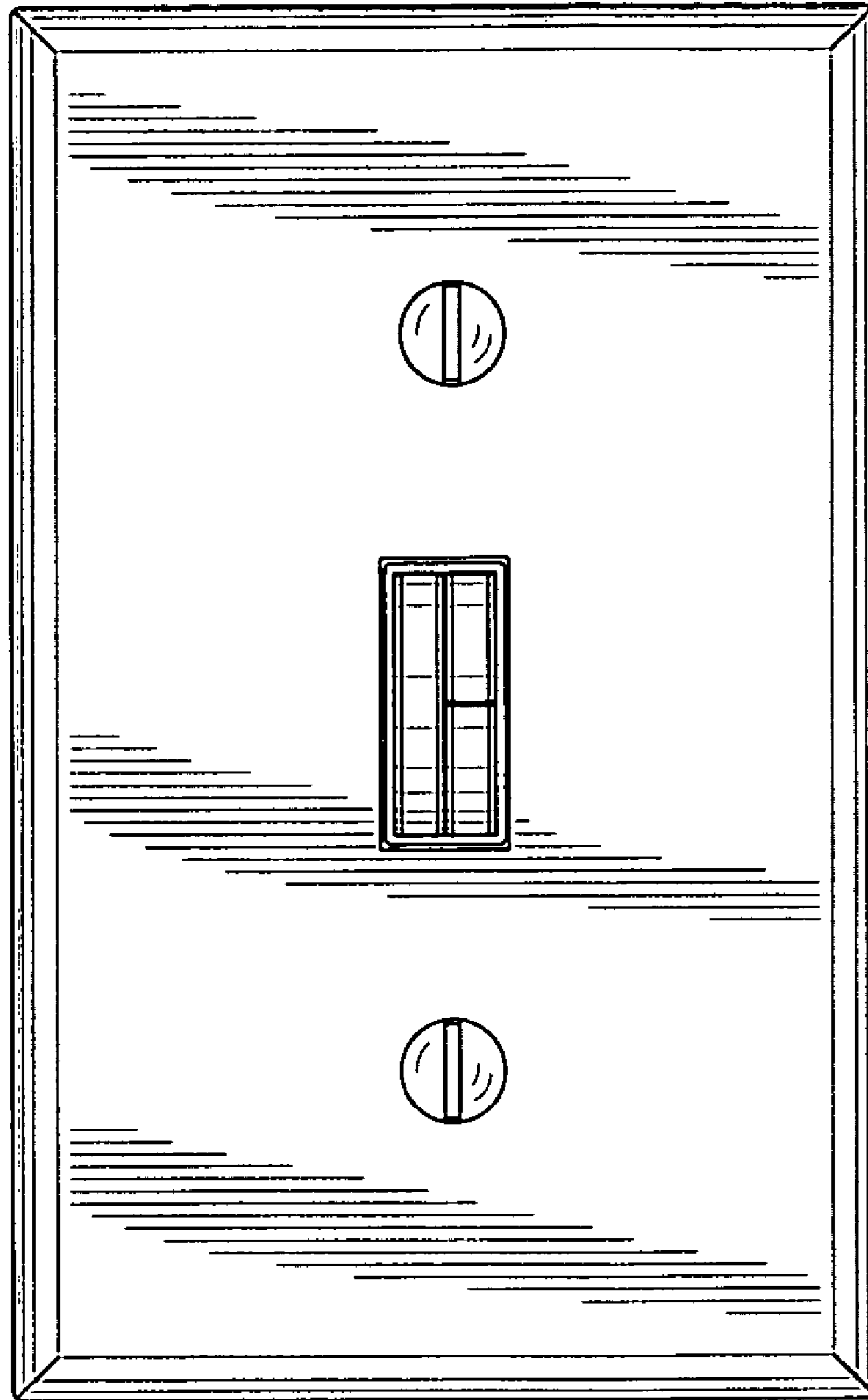


Fig. 20



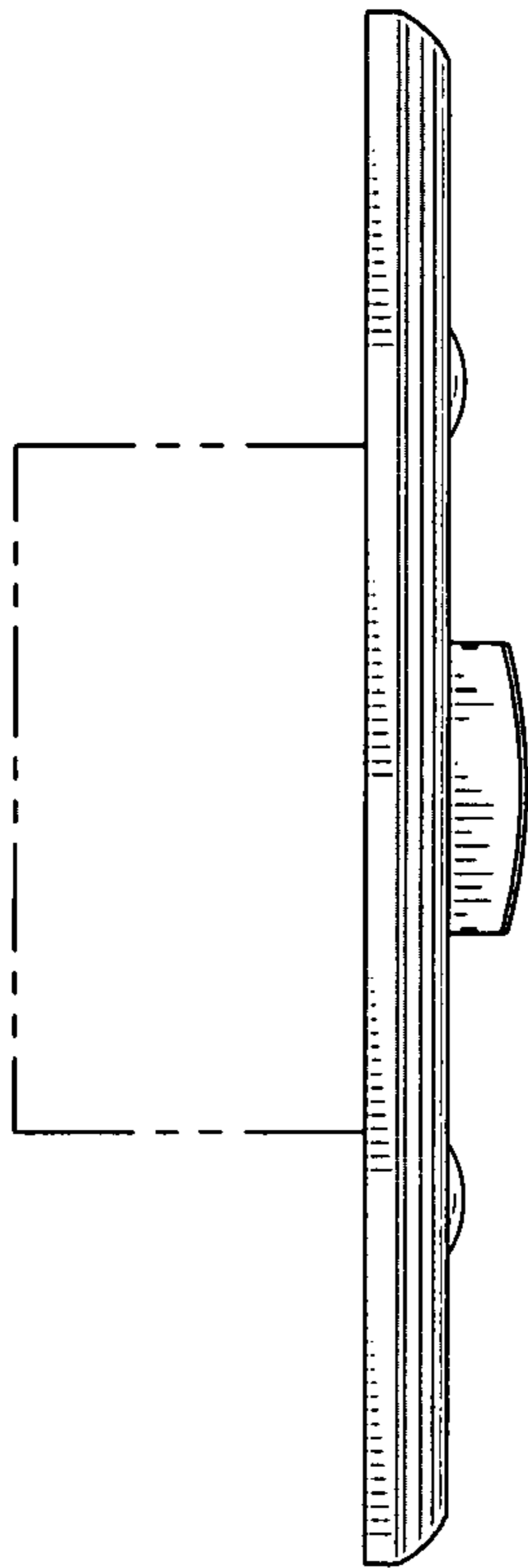


Fig. 21

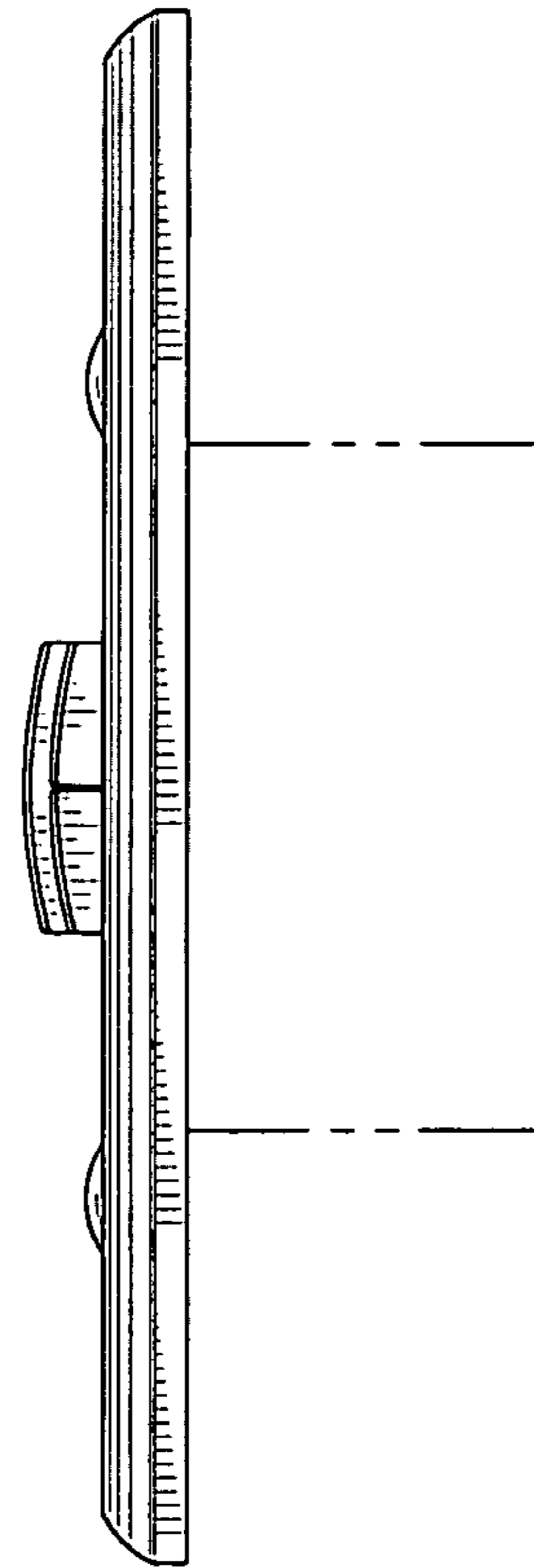


Fig. 22

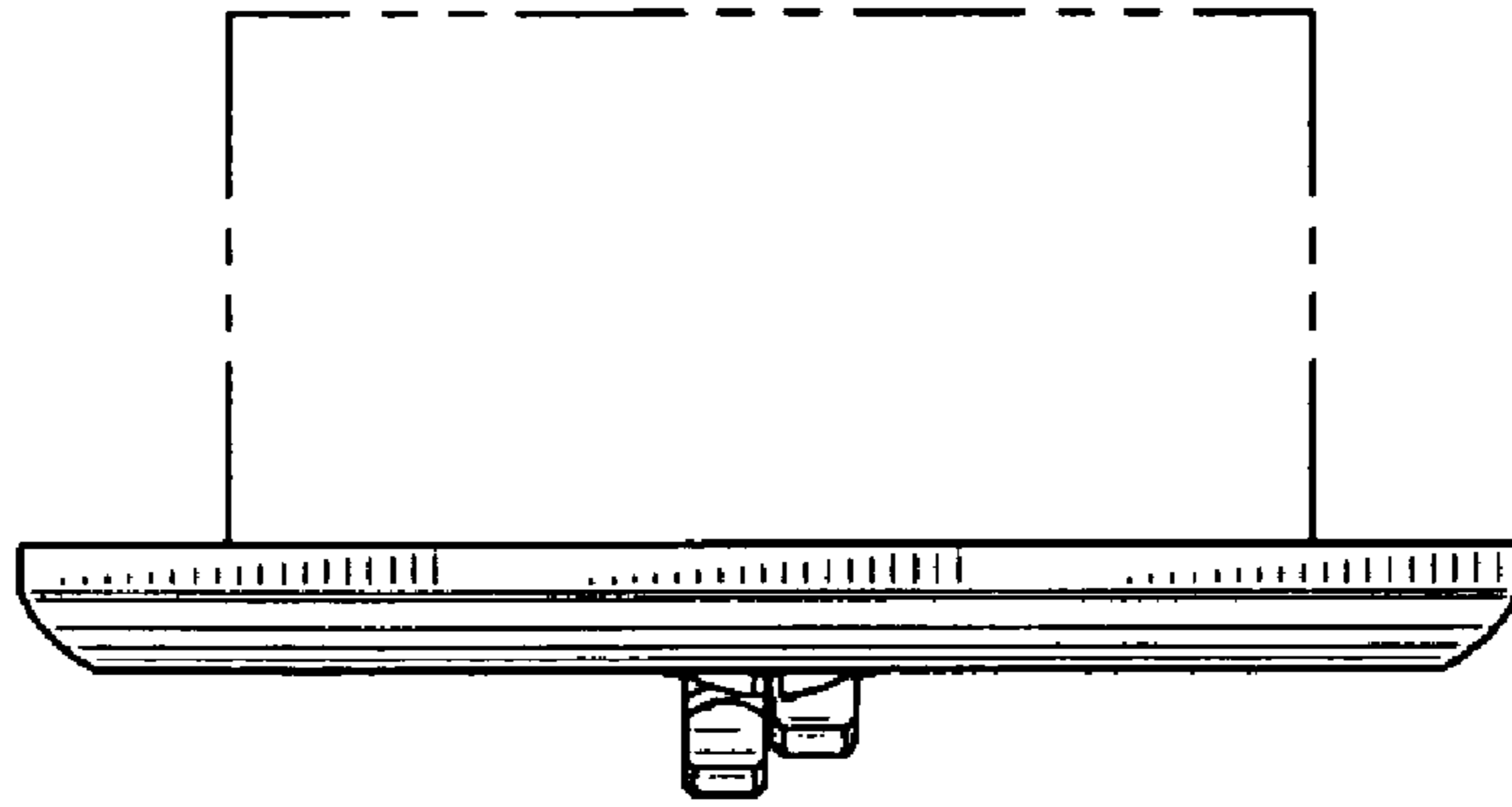


Fig. 23

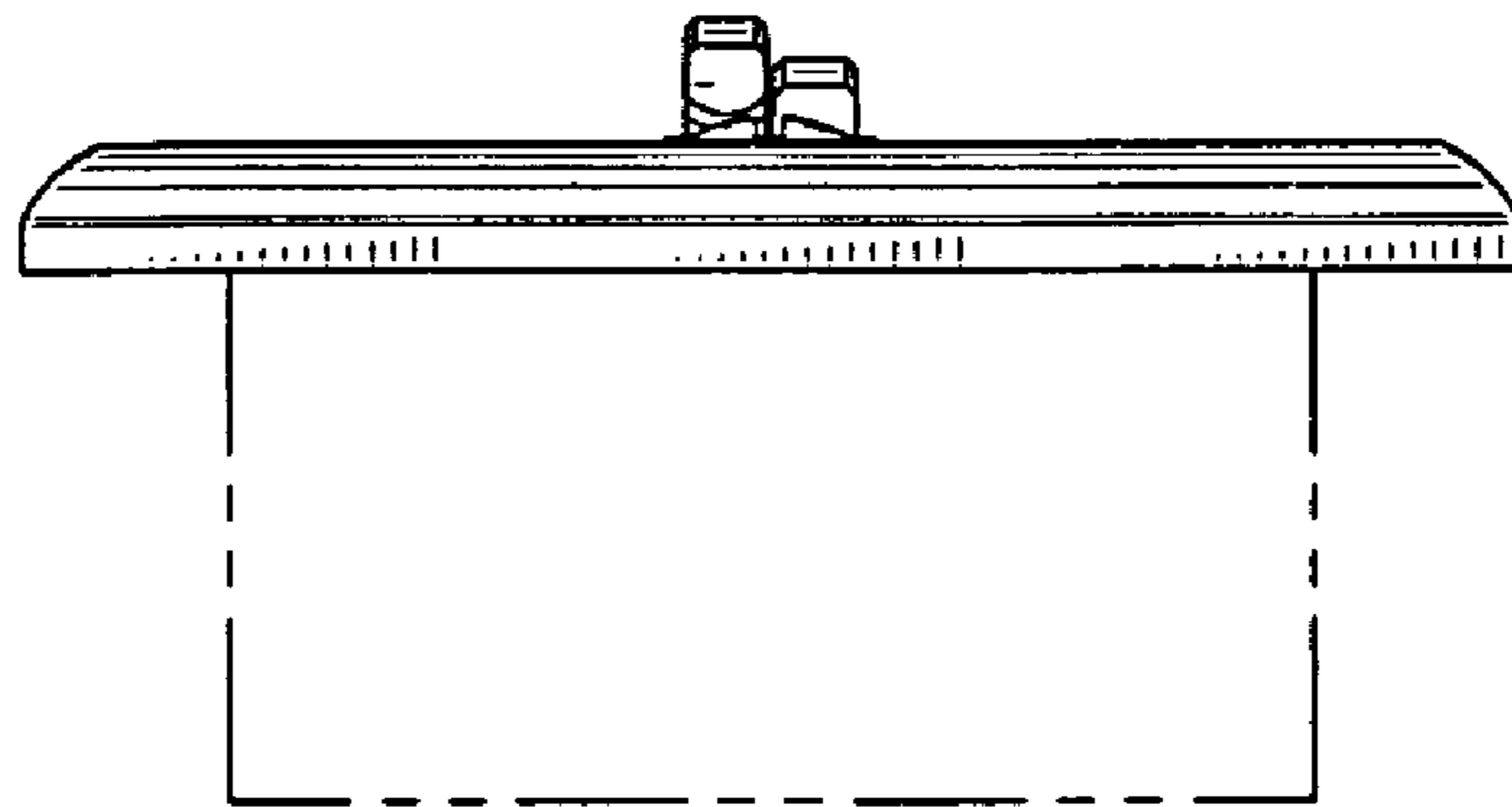


Fig. 24