



US00D596585S

(12) **United States Design Patent**  
**Yoshida et al.**

(10) **Patent No.:** **US D596,585 S**  
(45) **Date of Patent:** **\*\* Jul. 21, 2009**

(54) **SWITCH**

(75) Inventors: **Haruo Yoshida**, Tokyo (JP); **Yuichi Kato**, Tokyo (JP); **Yosuke Sakai**, Tokyo (JP)

(73) Assignee: **SMK Corporation**, Tokyo (JP)

(\*\*) Term: **14 Years**

(21) Appl. No.: **29/331,107**

(22) Filed: **Jan. 20, 2009**

**Related U.S. Application Data**

(62) Division of application No. 29/297,641, filed on Nov. 15, 2007, now Pat. No. Des. 589,904.

(30) **Foreign Application Priority Data**

May 21, 2007 (JP) ..... D2007-13340  
May 21, 2007 (JP) ..... D2007-13341  
May 21, 2007 (JP) ..... D2007-13342

(51) **LOC (9) Cl.** ..... **13-03**

(52) **U.S. Cl.** ..... **D13/158; D13/171**

(58) **Field of Classification Search** ..... D13/158,  
D13/169, 171, 174, 184, 199; 200/1 B, 5 A,  
200/6 R, 293-297, 314, 315, 341, 344, 406,  
200/513, 520, 523, 530

See application file for complete search history.

(56) **References Cited**

**U.S. PATENT DOCUMENTS**

5,245,147 A 9/1993 Kobayashi et al.

5,760,352 A 6/1998 Ishihara et al.  
D533,144 S 12/2006 Asada et al.  
D535,617 S 1/2007 Yoneyama et al.  
D537,797 S 3/2007 Yanai et al.  
7,199,321 B1 4/2007 Huang et al.  
7,250,581 B2 7/2007 Asada et al.  
D565,513 S 4/2008 Biondo et al.  
D568,256 S 5/2008 Asada et al.

*Primary Examiner*—Daniel D Bui  
*Assistant Examiner*—Thomas J Johannes  
(74) *Attorney, Agent, or Firm*—Darby & Darby PC

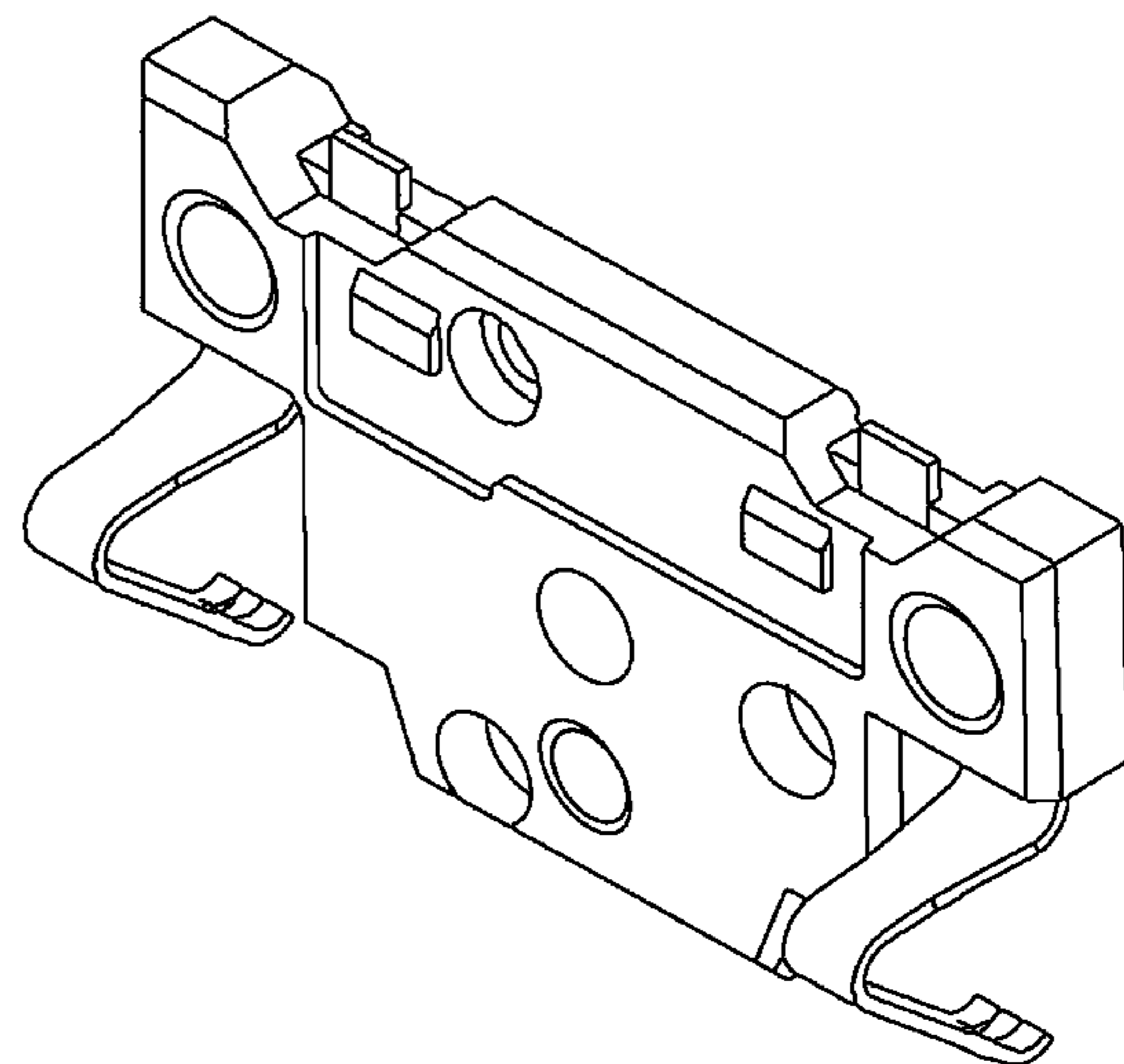
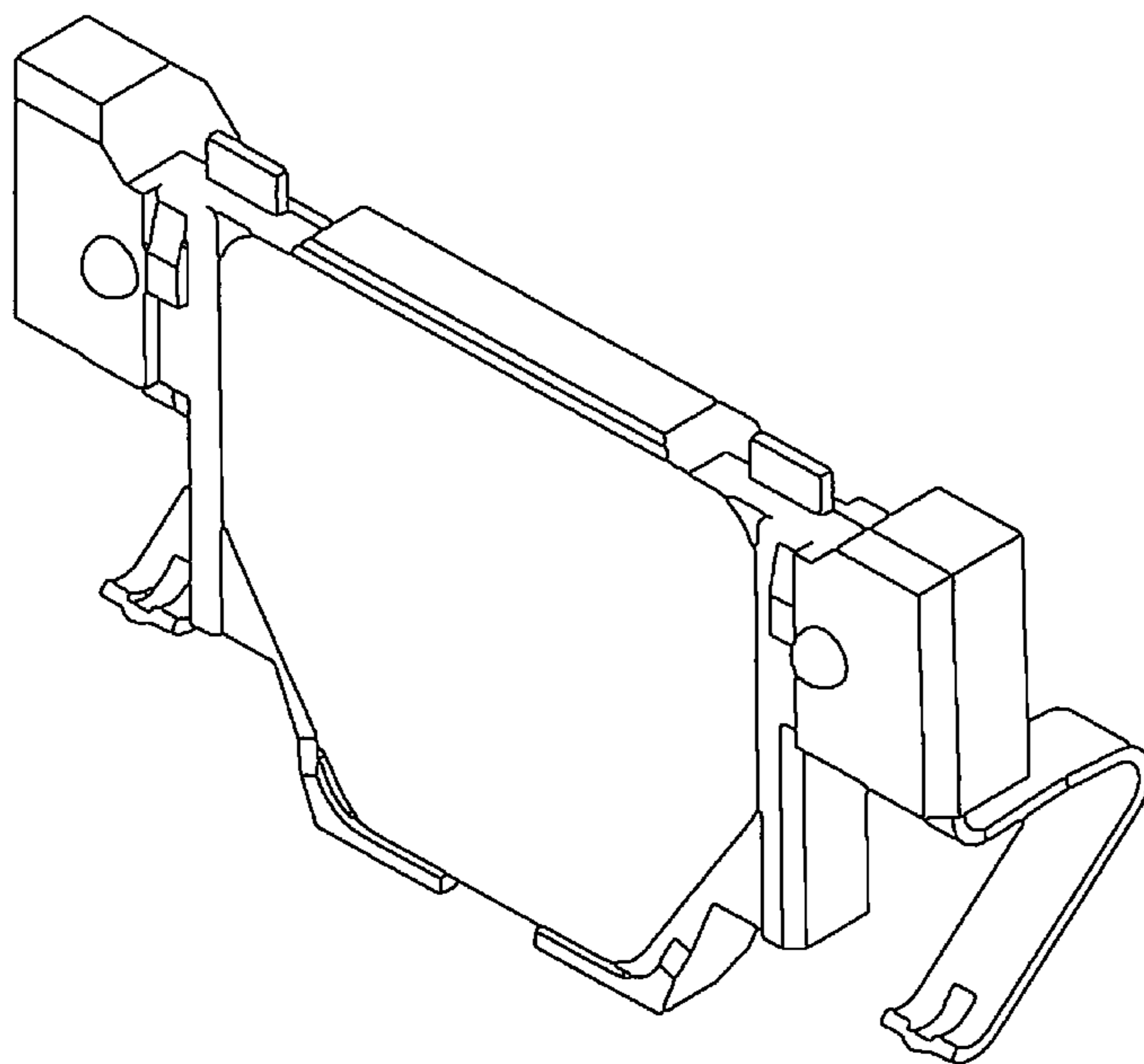
(57) **CLAIM**

The ornamental design for a switch, as shown and described.

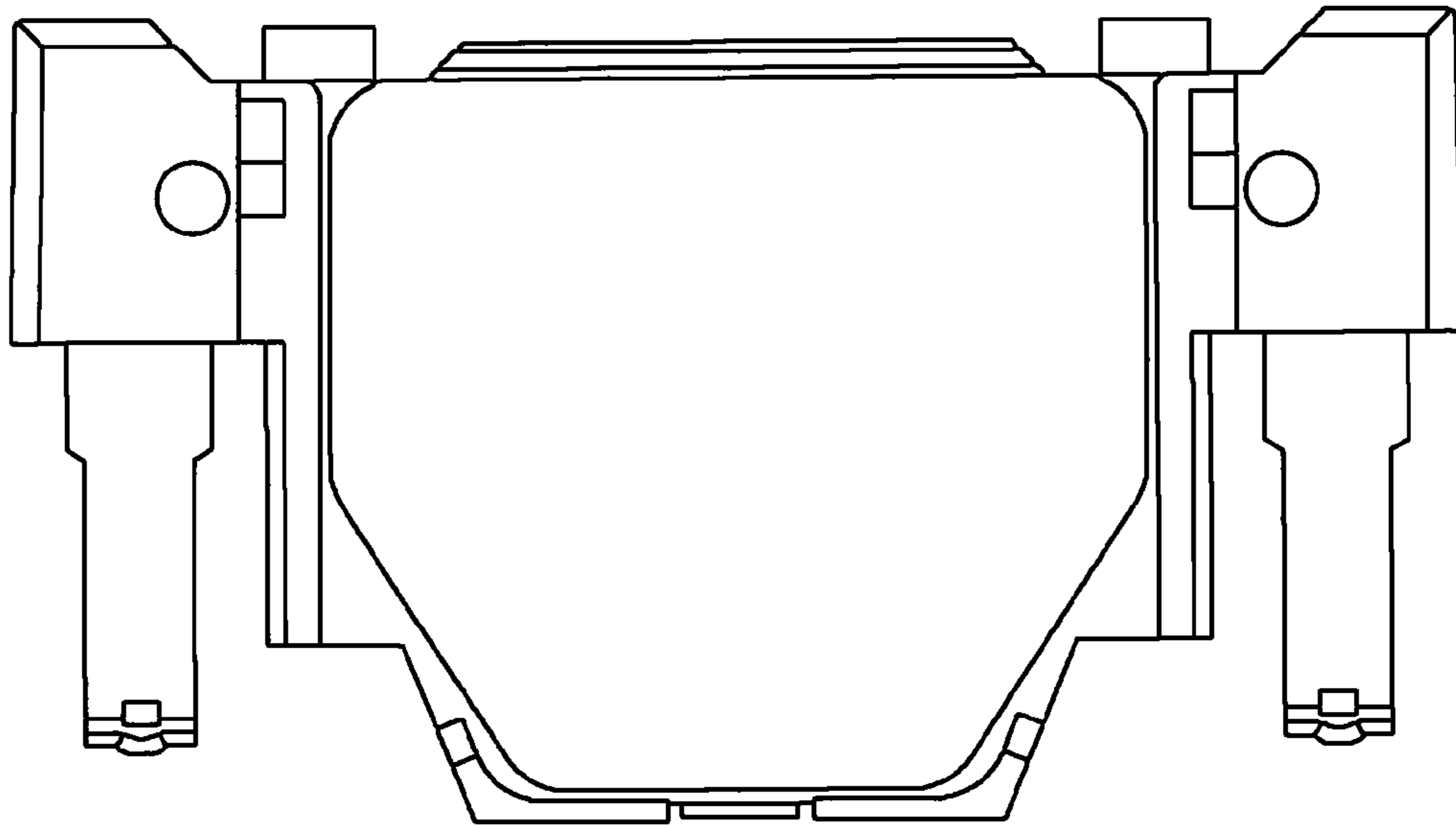
**DESCRIPTION**

FIG. 1 is a front view of a switch, showing our new design;  
FIG. 2 is a back view thereof;  
FIG. 3 is a top view thereof;  
FIG. 4 is a right side view thereof;  
FIG. 5 is a left side view thereof;  
FIG. 6 is a bottom view thereof;  
FIG. 7 is a perspective view thereof, as seen from the top, front and right sides; and,  
FIG. 8 is a back left perspective view thereof, as seen from the top, rear and left sides.

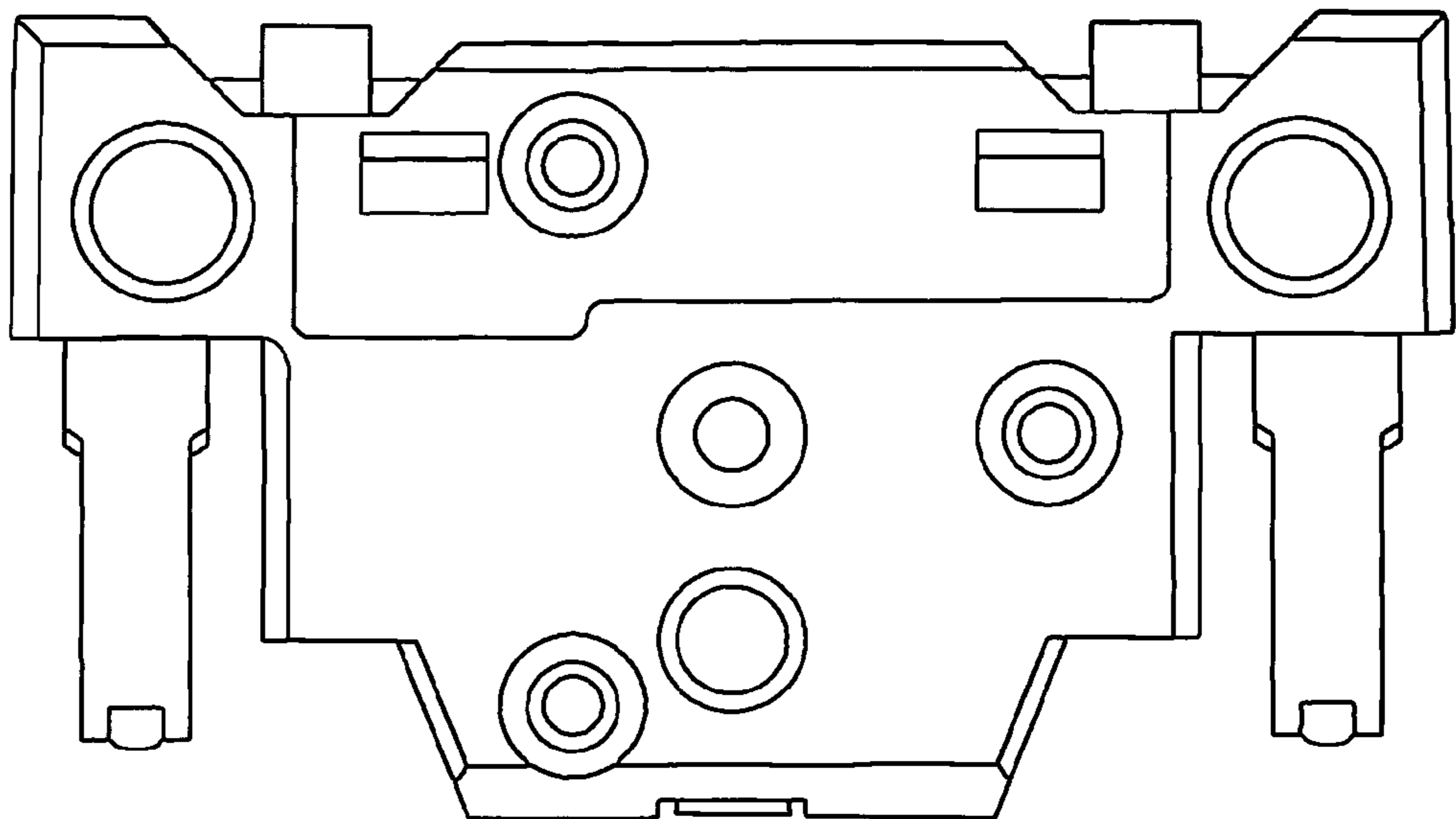
**1 Claim, 5 Drawing Sheets**



**Fig. 1**



**Fig. 2**



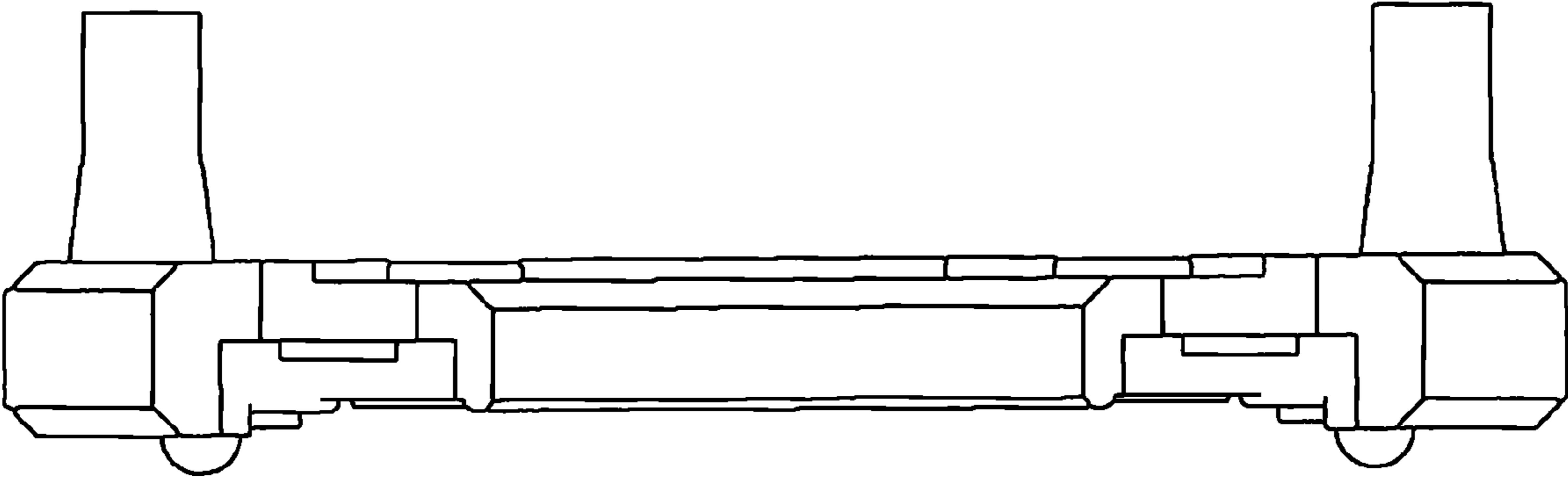


Fig. 3

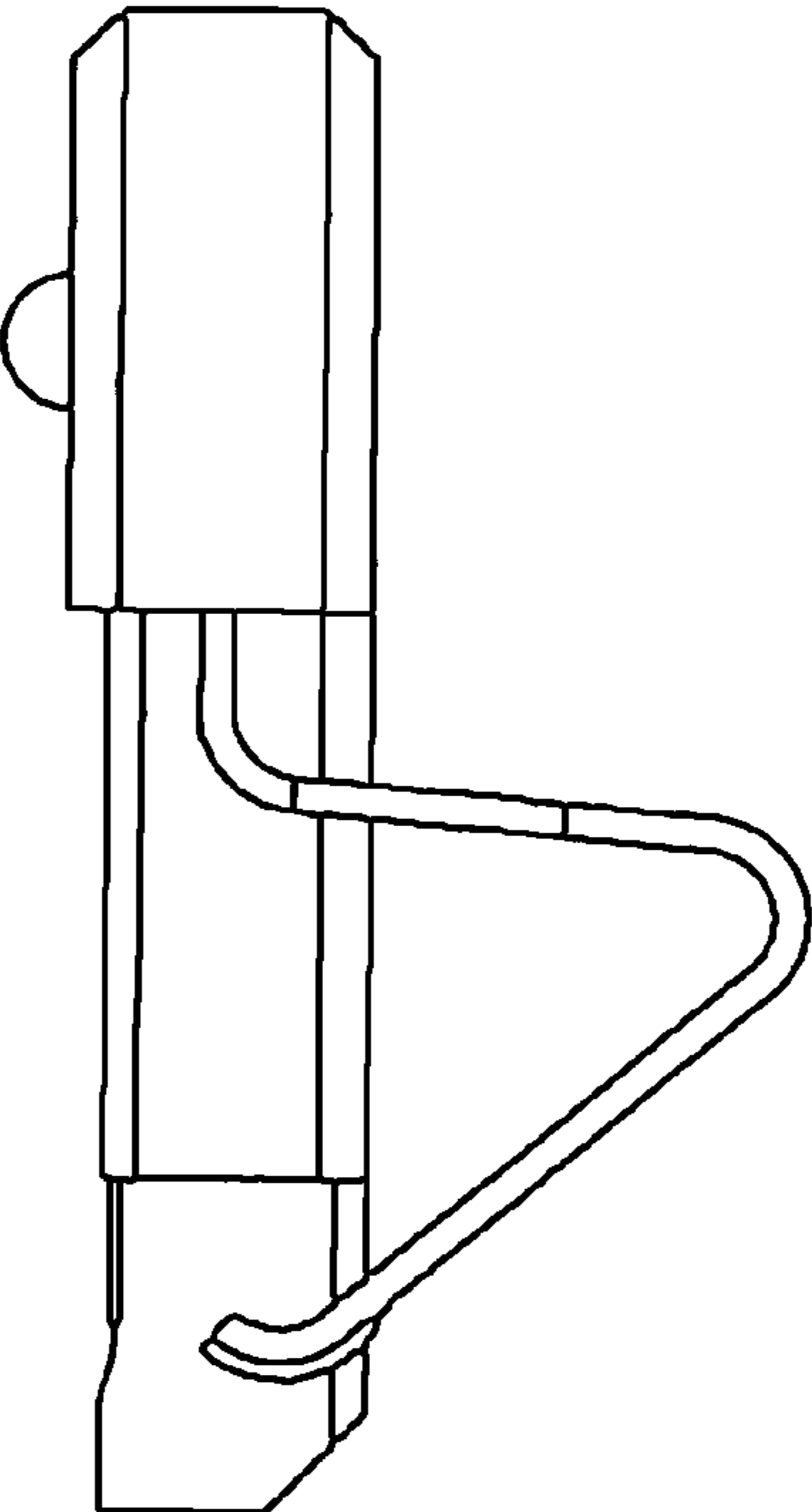
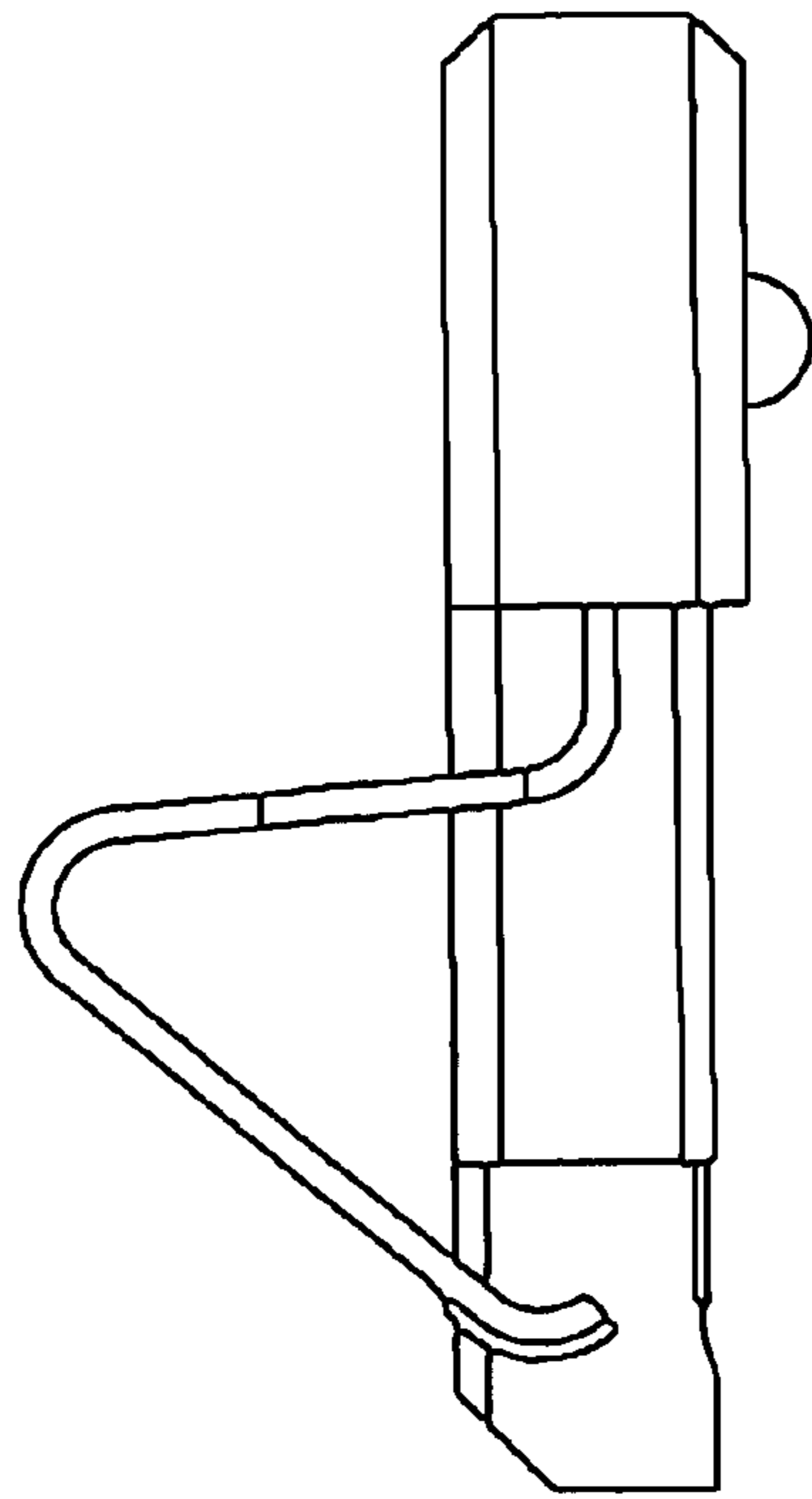
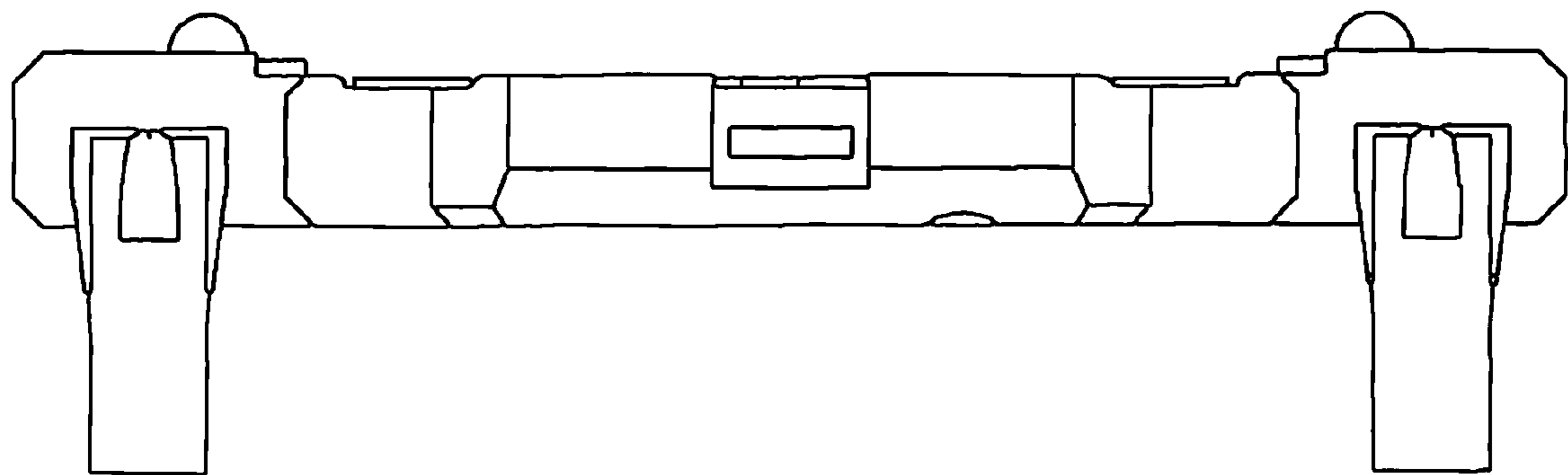


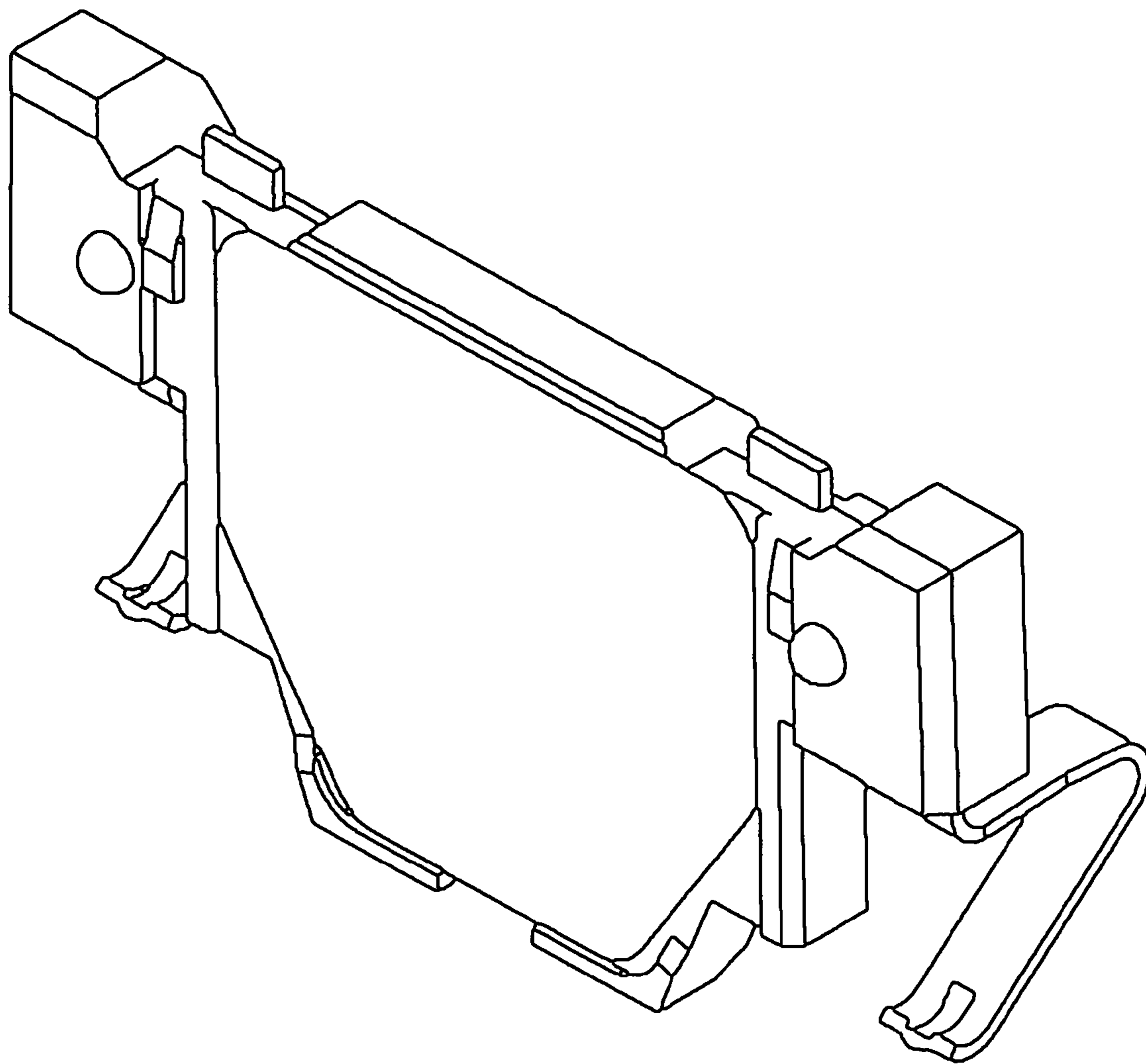
Fig. 4



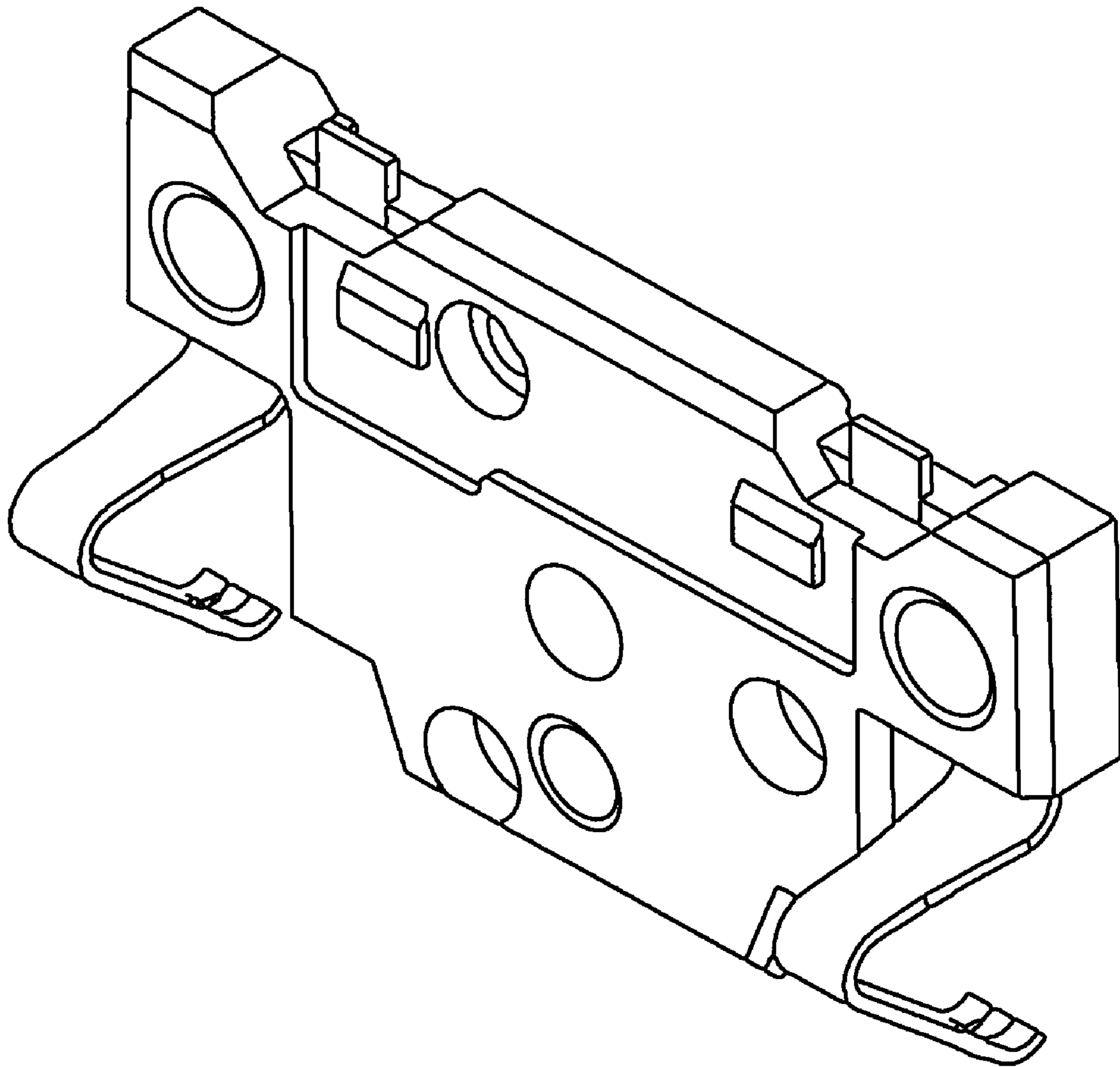
**Fig. 5**



**Fig. 6**



**Fig. 7**



**Fig. 8**