



US00D596584S

(12) **United States Design Patent**
Bedggood

(10) **Patent No.:** **US D596,584 S**

(45) **Date of Patent:** **** Jul. 21, 2009**

(54) **SWITCH**

(75) Inventor: **Nigel Bedggood**, Surbiton (GB)

(73) Assignee: **Albright International Ltd.** (GB)

(**) Term: **14 Years**

(21) Appl. No.: **29/320,811**

(22) Filed: **Jul. 3, 2008**

(30) **Foreign Application Priority Data**

Jan. 3, 2008 (EM) 000855796-0002

(51) **LOC (9) Cl.** **13-03**

(52) **U.S. Cl.** **D13/158**

(58) **Field of Classification Search** D13/158,
D13/171; 200/302.1, 341; 335/126

See application file for complete search history.

(56) **References Cited**

U.S. PATENT DOCUMENTS

- 3,130,282 A * 4/1964 Hanaway 335/126
- 3,740,501 A * 6/1973 Kiessling et al. 200/16 R
- 4,644,179 A * 2/1987 Pointout et al. 335/131
- 5,521,566 A * 5/1996 Krubsack et al. 335/126
- 6,360,707 B1 * 3/2002 Boegner 123/179.25

- 7,157,996 B2 * 1/2007 Enomoto et al. 335/132
- D573,543 S * 7/2008 Bedggood D13/158
- D573,954 S * 7/2008 Bedggood D13/158
- D574,331 S * 8/2008 Bedggood D13/158
- 2006/0109070 A1 * 5/2006 Hirabayashi et al. 335/126
- 2007/0069840 A1 * 3/2007 Masaki 335/126

* cited by examiner

Primary Examiner—Selina Sikder

(74) *Attorney, Agent, or Firm*—Fish & Richardson P.C.

(57) **CLAIM**

The ornamental design for a switch, as shown and described.

DESCRIPTION

FIG. 1 is a front right perspective view of a switch;

FIG. 2 is a front view taken from FIG. 1;

FIG. 3 is a back view taken from FIG. 1;

FIG. 4 is a left view taken from FIG. 1;

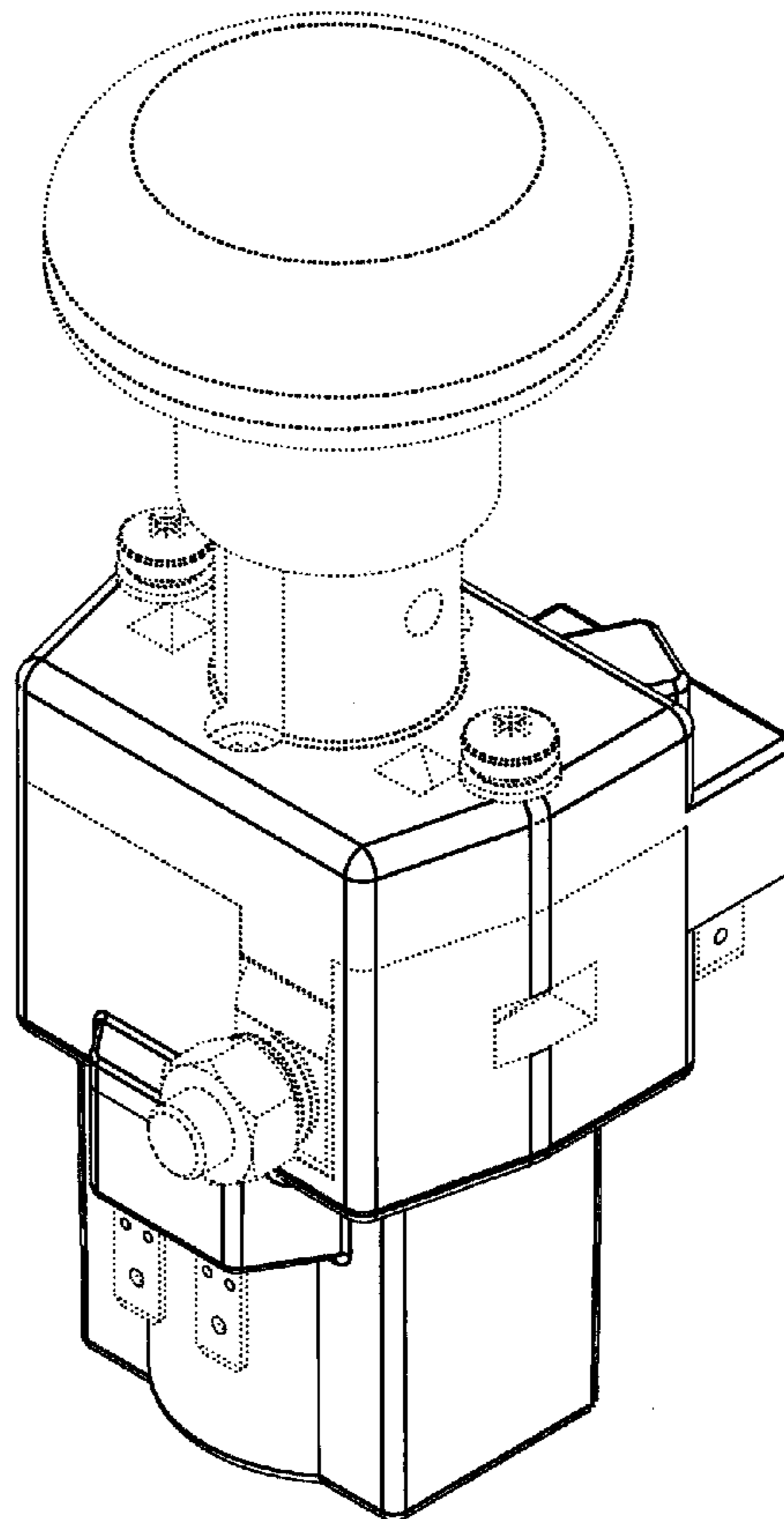
FIG. 5 is a right view taken from FIG. 1;

FIG. 6 is a top view taken from FIG. 1; and,

FIG. 7 is a bottom view taken from FIG. 1.

The broken lines are for illustrative purposes only and form no part of the claimed design.

1 Claim, 7 Drawing Sheets



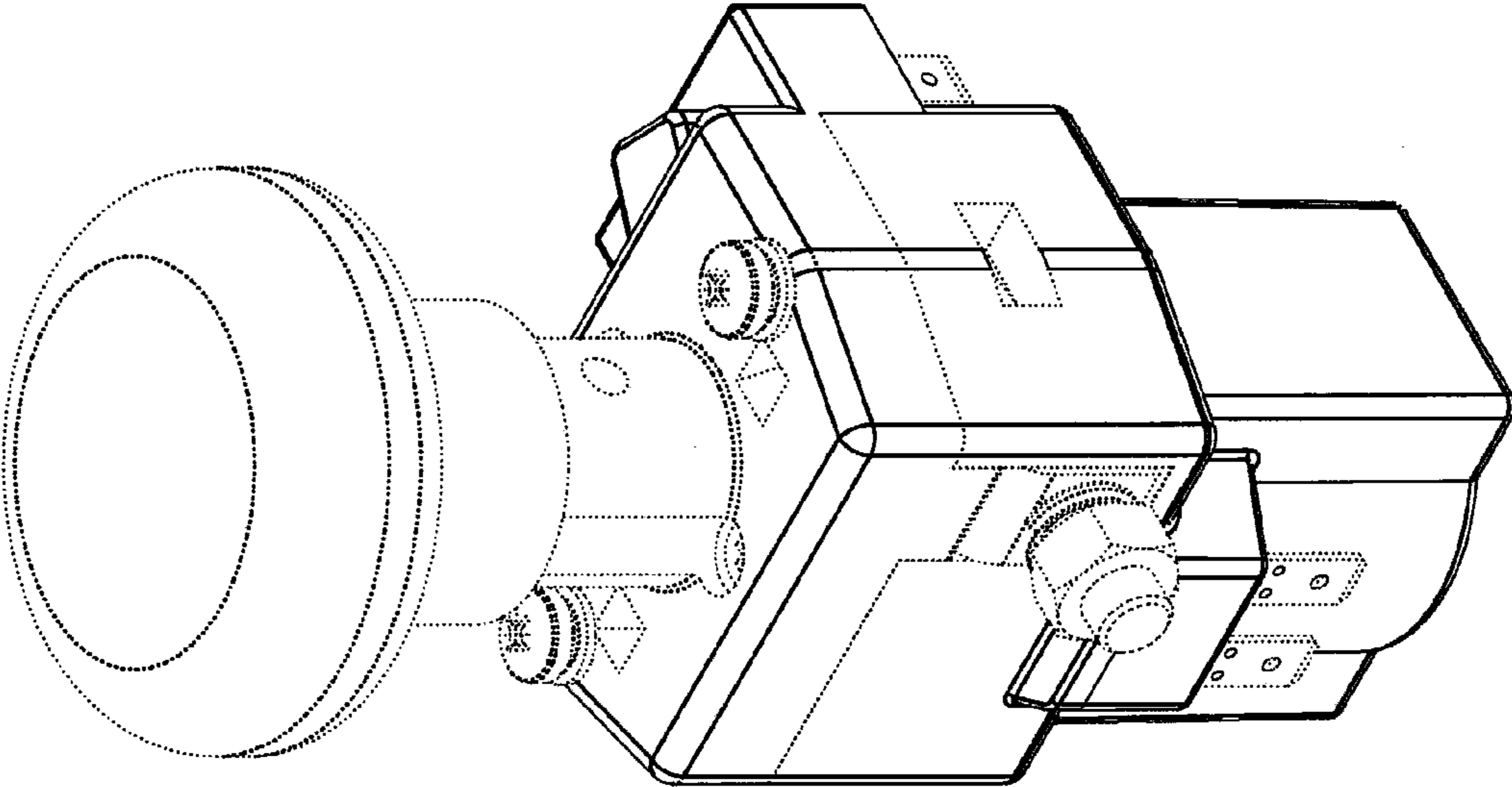


FIG 1

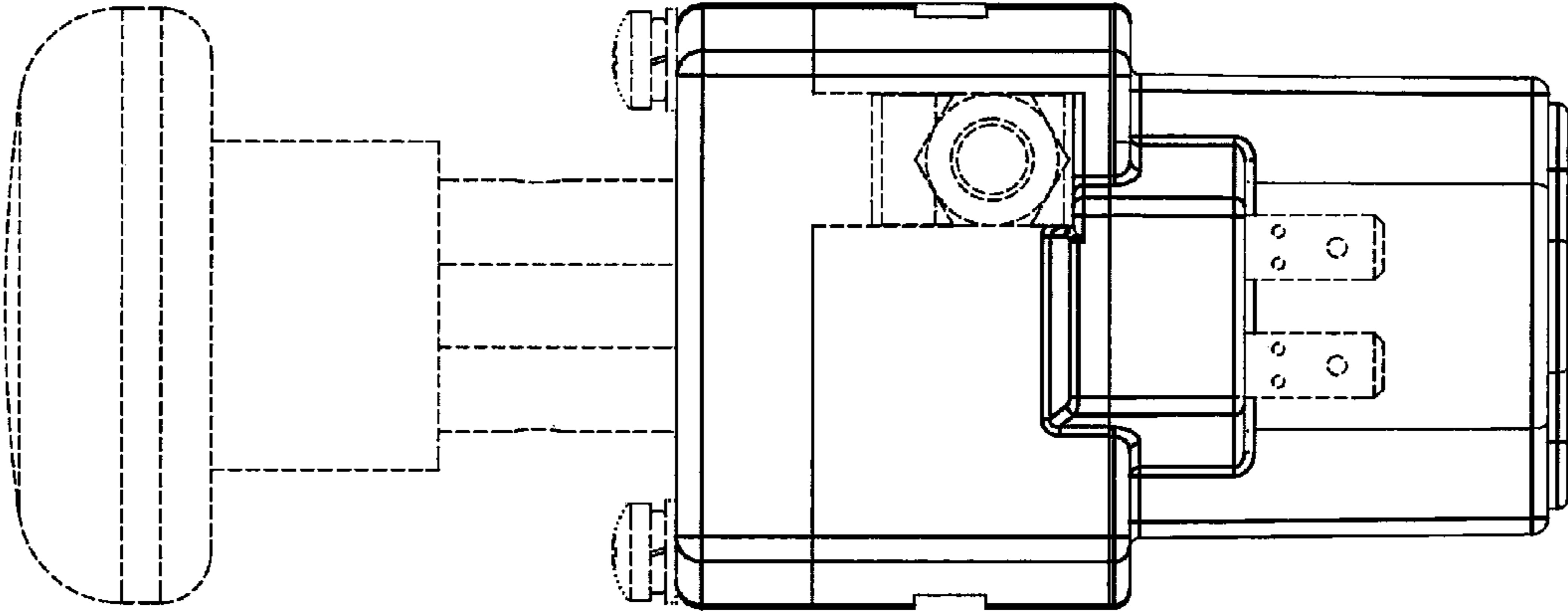


FIG 2

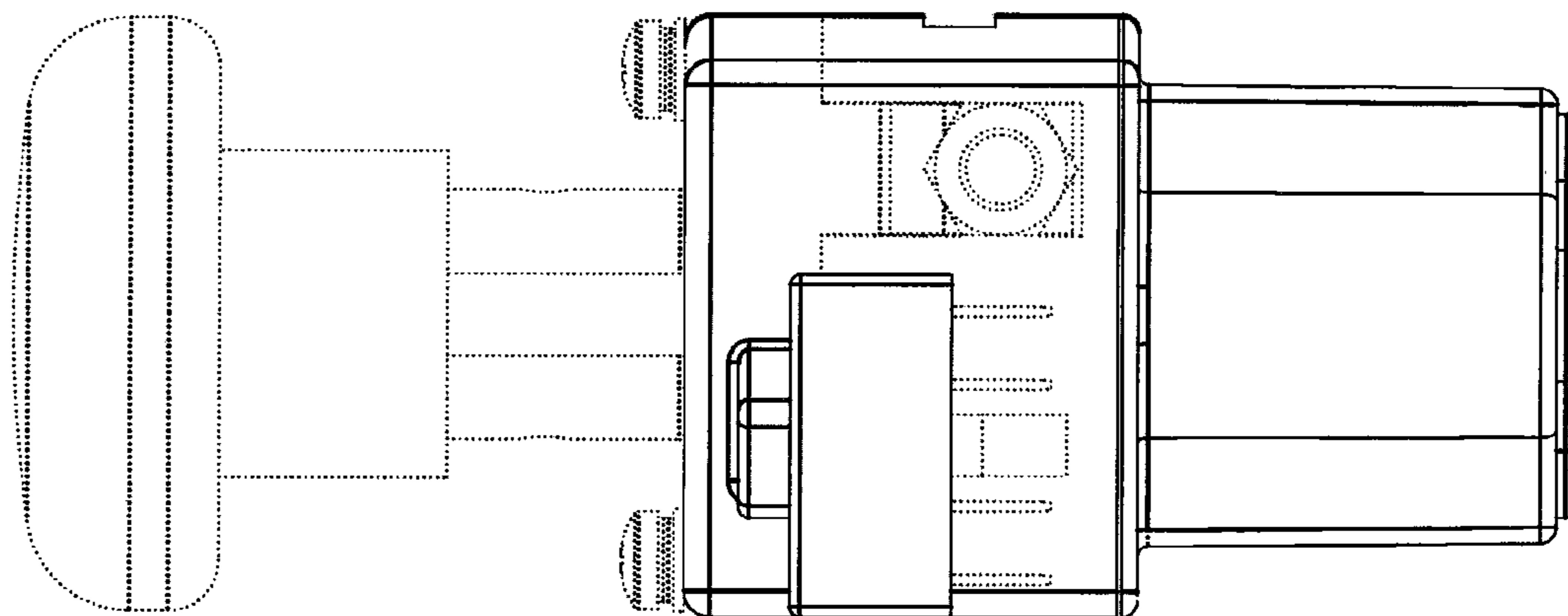


FIG 3

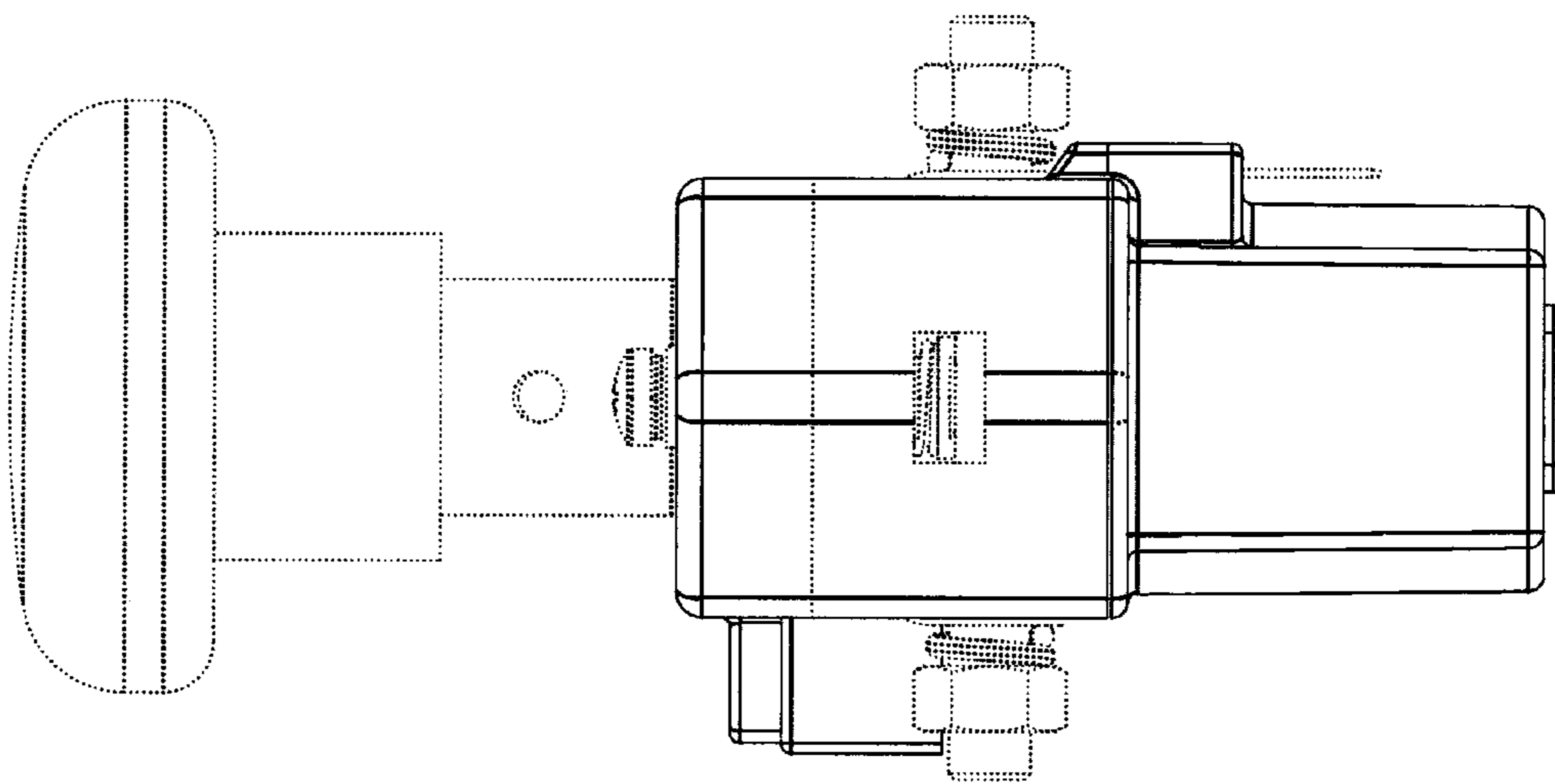


FIG 4

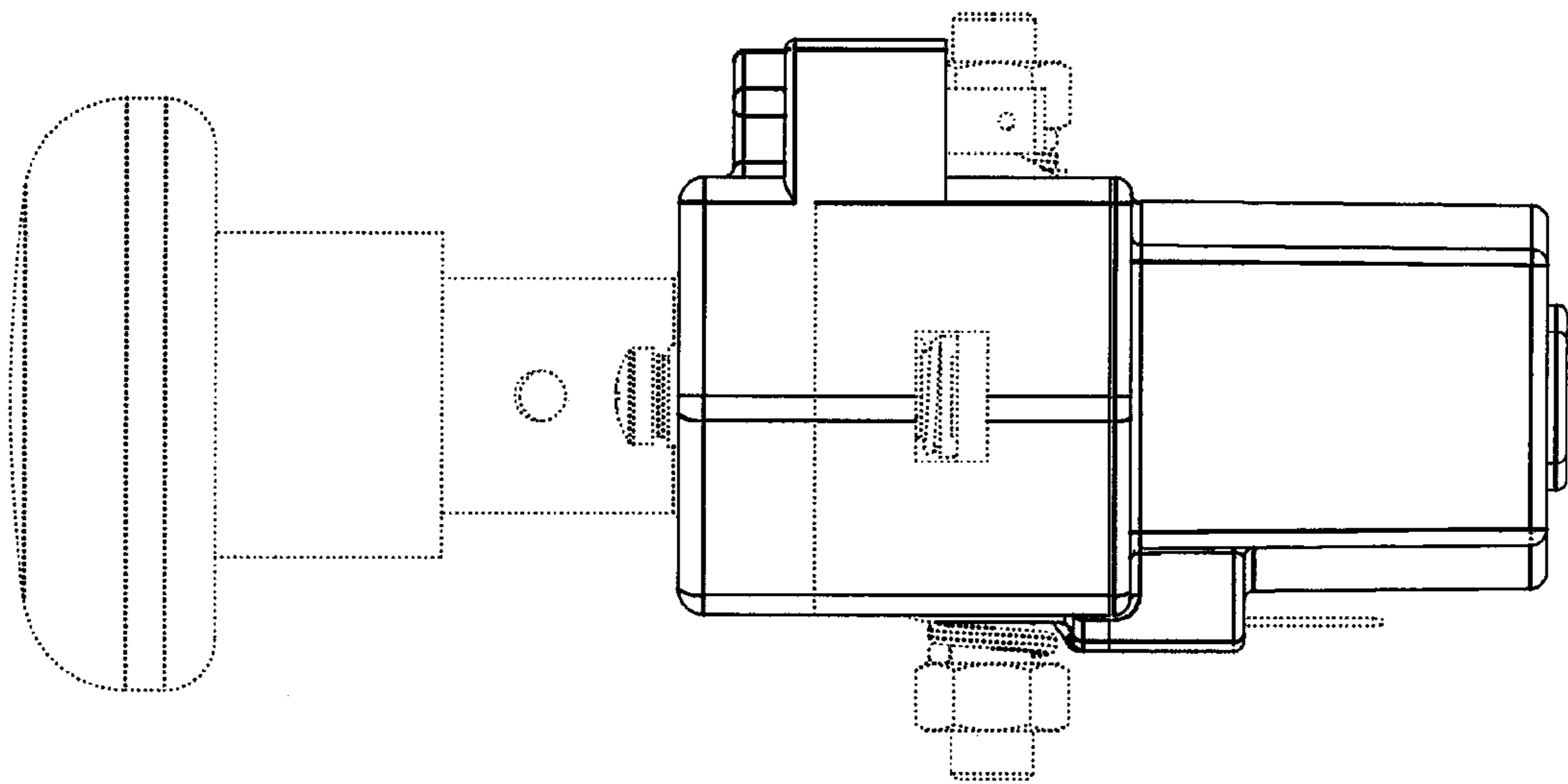


FIG 5

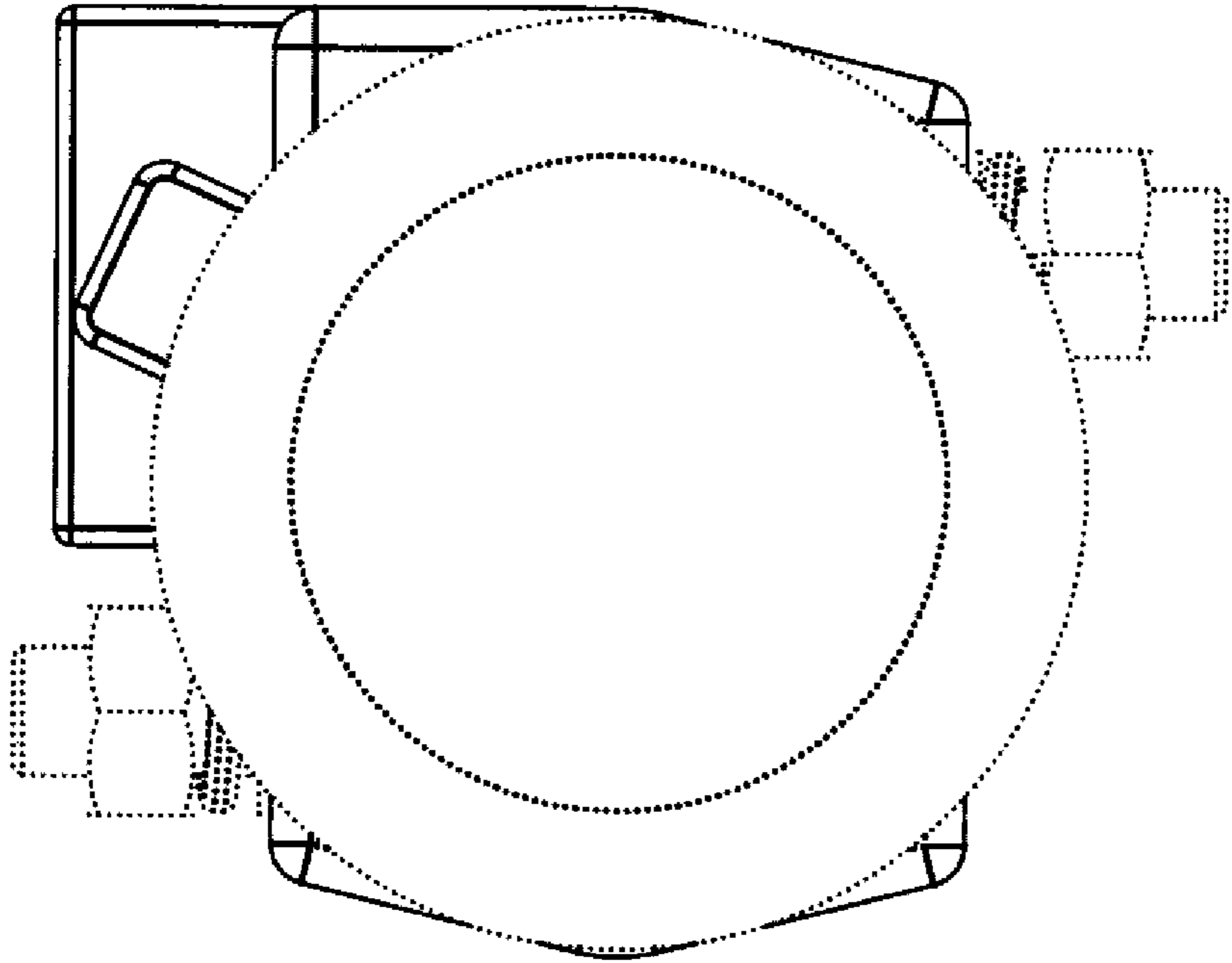


FIG 6

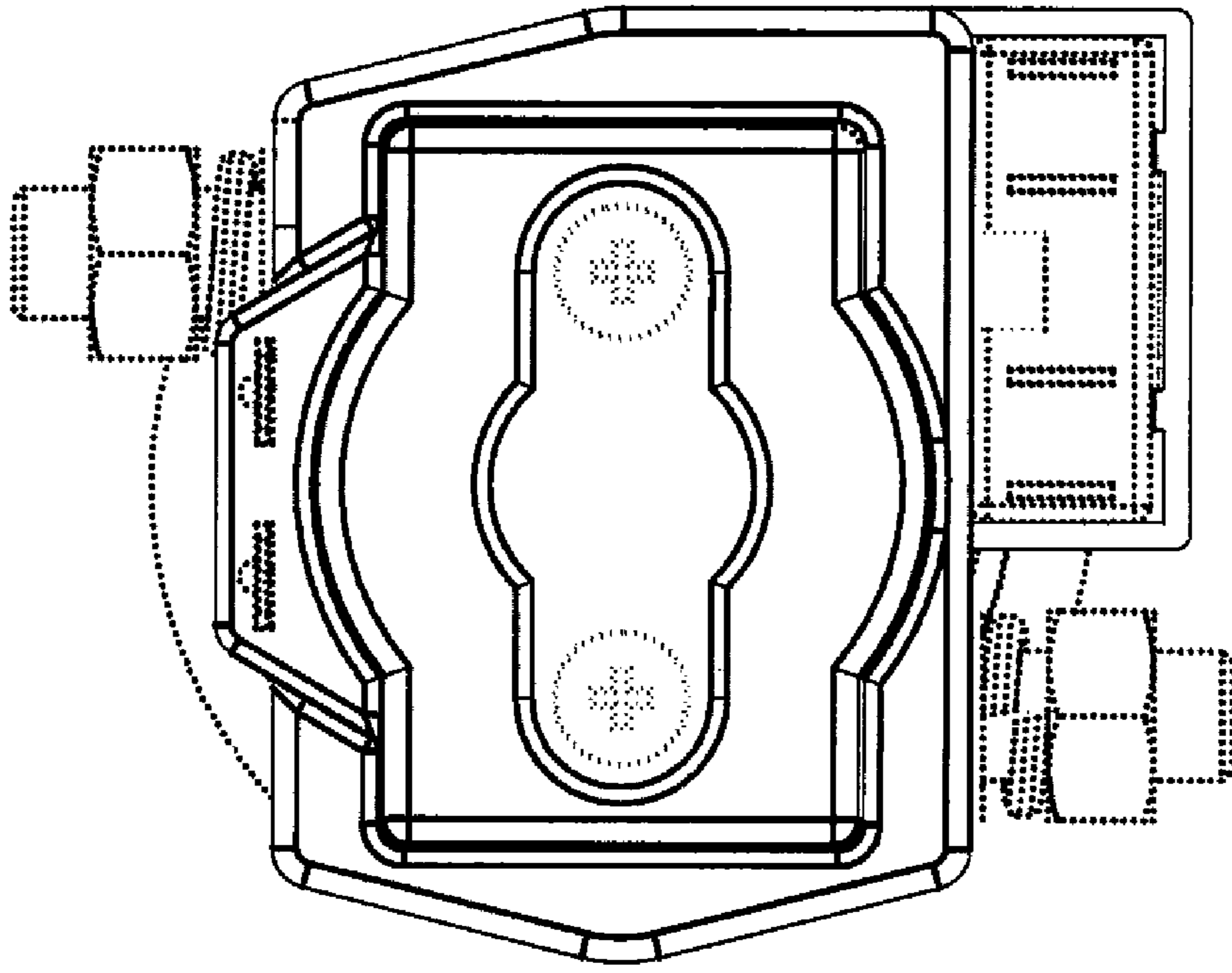


FIG 7