



US00D596583S

(12) **United States Design Patent**  
**Teranishi et al.**

(10) **Patent No.:** **US D596,583 S**  
(45) **Date of Patent:** **\*\* Jul. 21, 2009**

(54) **CONNECTOR PIN**

7,435,122 B2 \* 10/2008 Suzuki et al. .... 439/260  
7,452,227 B2 \* 11/2008 Matoba et al. .... 439/260

(75) Inventors: **Hirotda Teranishi**, Kyoto (JP);  
**Yoshinobu Hemmi**, Kyoto (JP);  
**Masahiro Ono**, Kyoto (JP)

\* cited by examiner

(73) Assignee: **OMRON Corporation**, Kyoto (JP)

*Primary Examiner*—Daniel D Bui  
(74) *Attorney, Agent, or Firm*—Harness, Dickey & Pierce,  
P.L.C.

(\*\*) Term: **14 Years**

(57) **CLAIM**

(21) Appl. No.: **29/326,647**

The ornamental design for a connector pin, as shown and described.

(22) Filed: **Oct. 22, 2008**

(30) **Foreign Application Priority Data**

**DESCRIPTION**

Apr. 23, 2008 (JP) ..... D 2008-010428

FIG. 1 is a top, front and left side perspective view of a connector pin showing our new design;

(51) **LOC (9) Cl.** ..... **13-03**

FIG. 2 is a bottom, front and left side perspective view thereof;

(52) **U.S. Cl.** ..... **D13/154**

FIG. 3 is a front elevational view thereof;

(58) **Field of Classification Search** ..... D13/133,  
D13/146, 147, 154, 184; 439/834, 845, 849–850,  
439/862, 884–885, 887

FIG. 4 is a rear elevational view thereof;

See application file for complete search history.

FIG. 5 is a left side elevational view thereof;

FIG. 6 is a right side elevational view thereof;

(56) **References Cited**

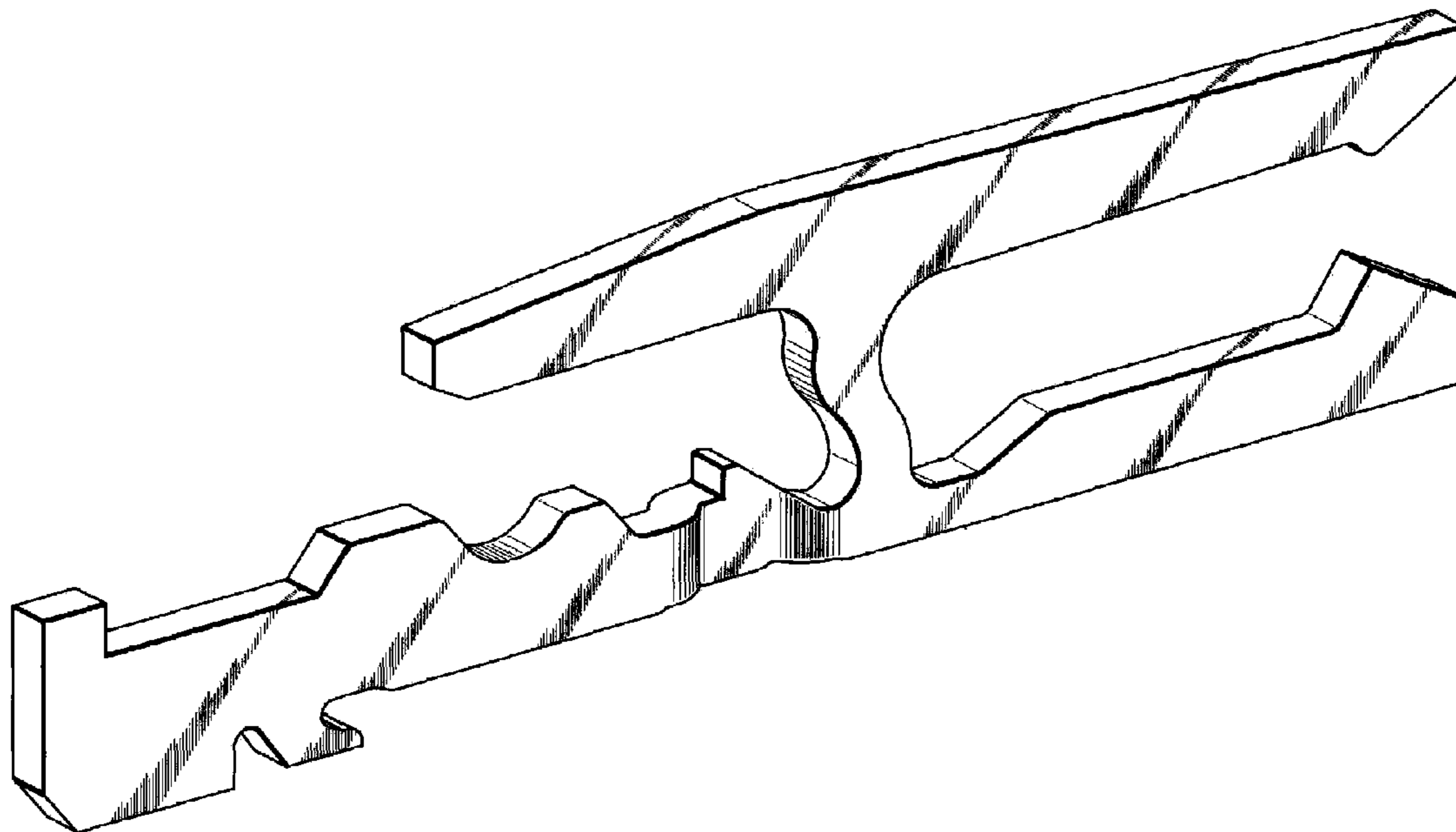
**U.S. PATENT DOCUMENTS**

D504,665 S \* 5/2005 Lai et al. .... D13/154  
D568,247 S \* 5/2008 Ho et al. .... D13/133

FIG. 7 is a top plan view thereof; and,

FIG. 8 is a bottom plan view thereof.

**1 Claim, 4 Drawing Sheets**



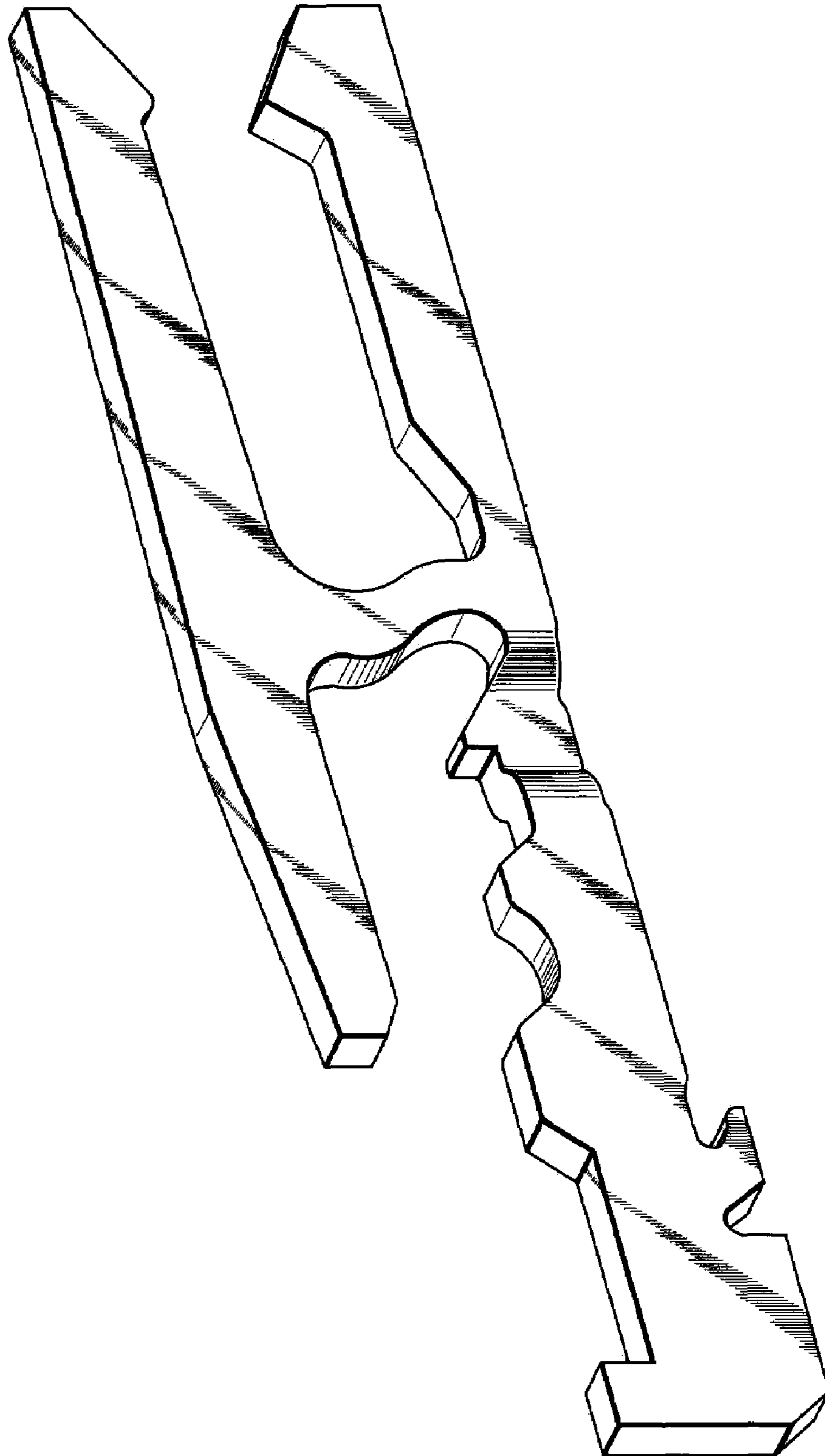


Fig. 1

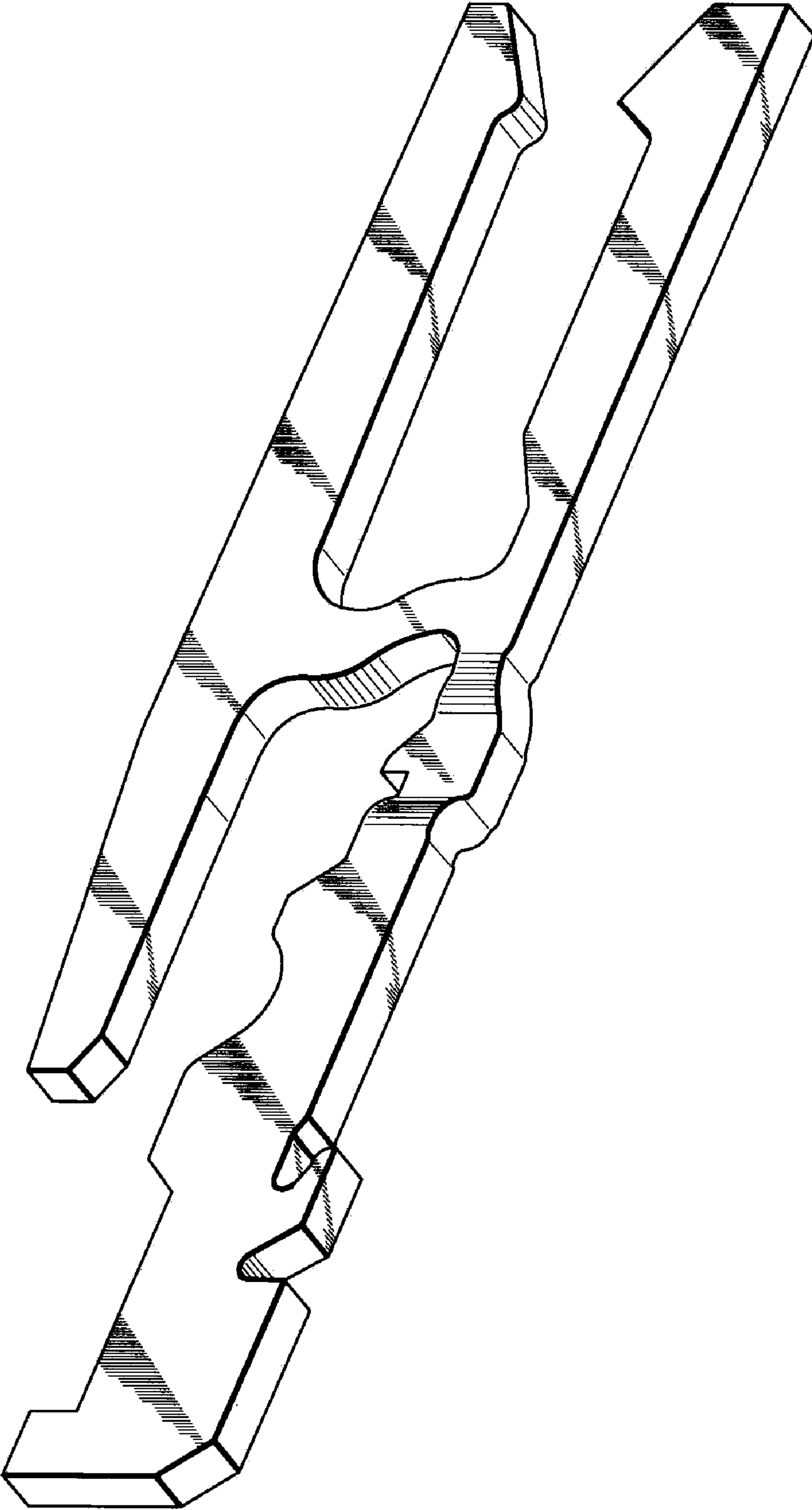


Fig. 2

Fig. 3

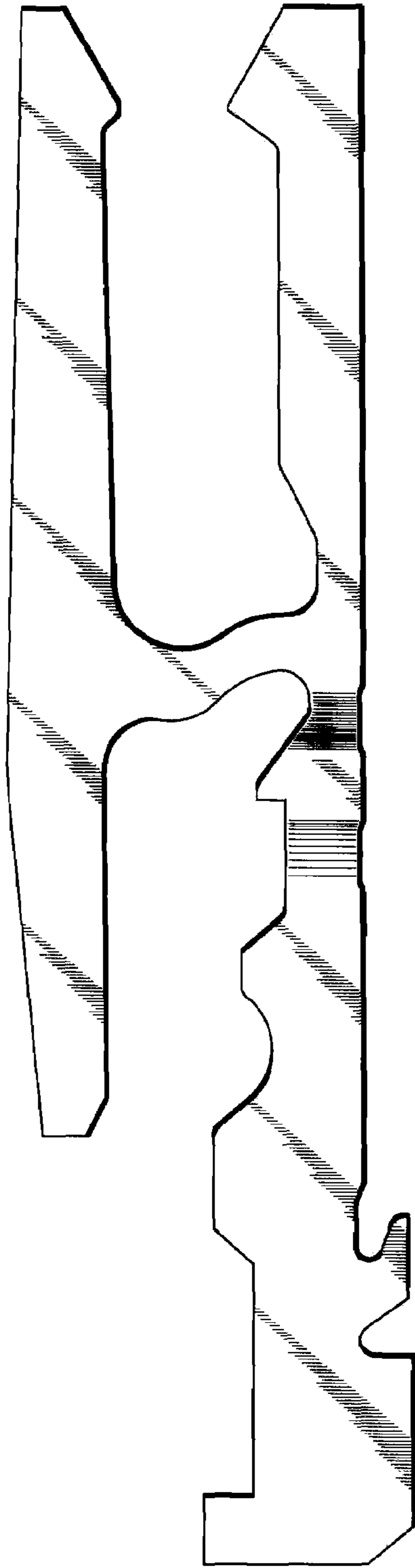
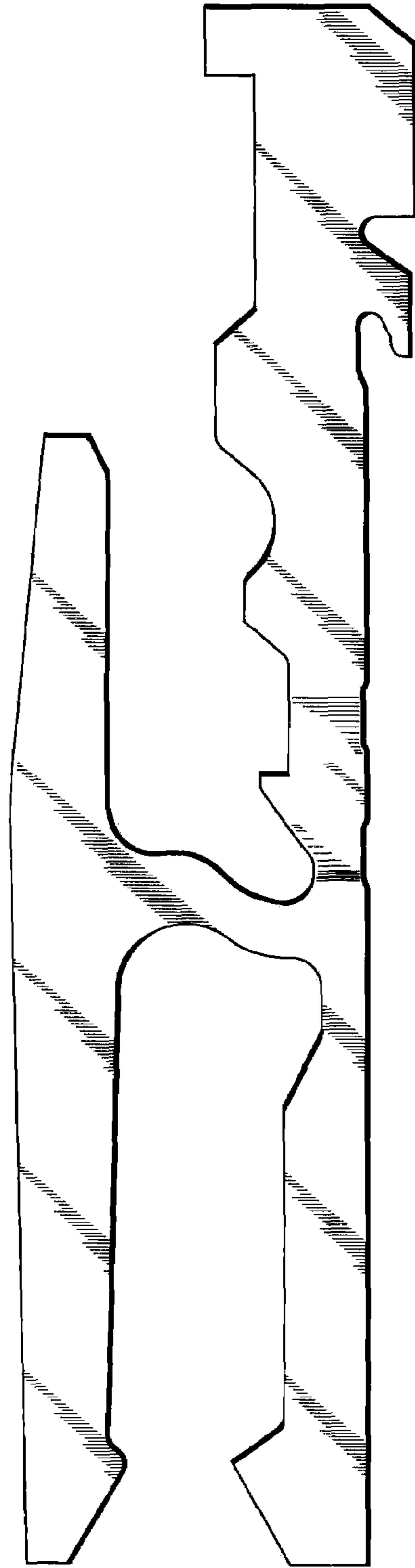


Fig. 4



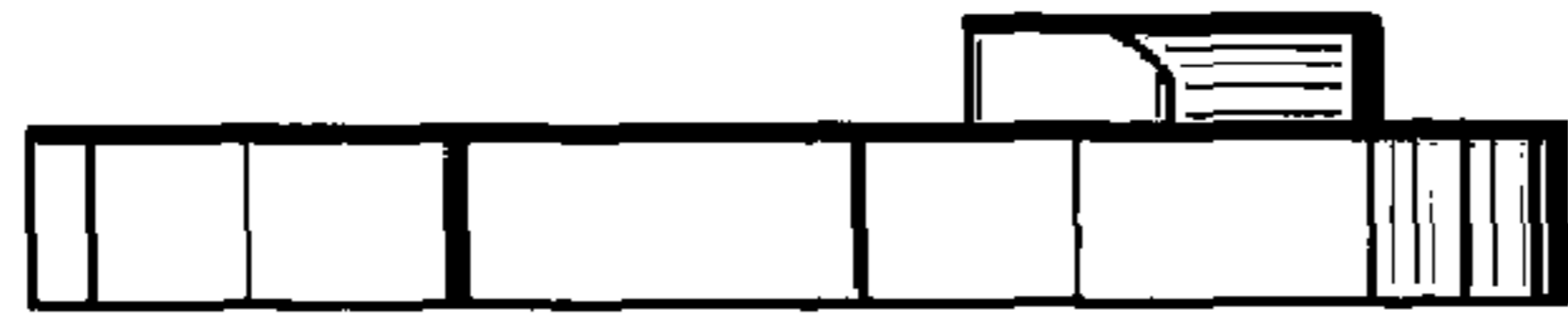


Fig. 6

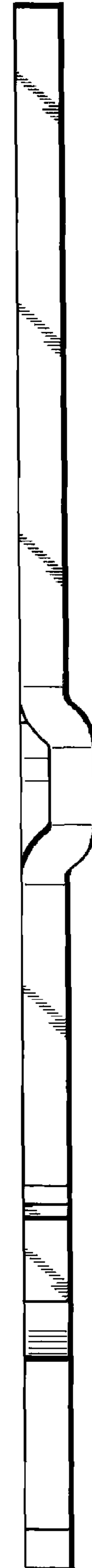
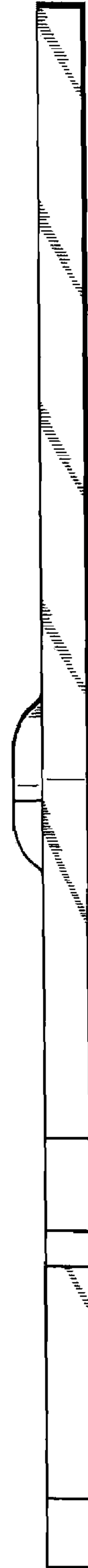


Fig. 5

Fig. 7

Fig. 8