

US00D596582S

(12) **United States Design Patent**
Stuckmann et al.

(10) **Patent No.:** **US D596,582 S**
(45) **Date of Patent:** **** Jul. 21, 2009**

(54) **HOUSING FOR ELECTRICAL CONNECTORS**

(75) Inventors: **Peter Stuckmann**, Lage (DE); **Uwe Arlitt**, Leopoldshoehe (DE); **Paulo Russo**, Lage (DE); **John Witt**, Detmold (DE); **Guenter Lucht**, Horn-Bad Meinberg (DE); **Joachim Bury**, Detmold (DE); **Torsten Diekmann**, Leopoldshoehe (DE); **Andreas Wedler**, Detmold (DE); **Thomas Salomon**, Guetersloh (DE); **Thomas Pieper**, Geseke (DE)

D405,421 S 2/1999 Tennefoss et al.
6,194,657 B1 2/2001 Gretz
D461,455 S 8/2002 Forbes
D467,229 S 12/2002 Heggem
D478,553 S 8/2003 Heggem
D523,818 S 6/2006 Roesch et al.
D532,380 S 11/2006 Castaldo et al.
D539,751 S 4/2007 Kiely
D553,574 S 10/2007 Neveu
D559,789 S 1/2008 Dinh
D563,896 S 3/2008 Greenslate

(73) Assignee: **Weidmueller Interface GmbH & Co. KG**, Detmold (DE)

(**) Term: **14 Years**

Primary Examiner—Brian N Vinson
(74) *Attorney, Agent, or Firm*—Crowell & Moring LLP

(21) Appl. No.: **29/326,337**

(22) Filed: **Oct. 16, 2008**

(57) **CLAIM**

The ornamental design for a housing for electrical connectors, as shown and described.

Related U.S. Application Data

(62) Division of application No. 29/274,992, filed on Jun. 15, 2007, now Pat. No. Des. 581,365.

DESCRIPTION

(51) **LOC (9) Cl.** **13-03**
(52) **U.S. Cl.** **D13/152**
(58) **Field of Classification Search** D13/152, D13/156, 184; 174/50, 53-60, 66-67; 220/3.2, 220/3.3, 3.7, 3.8, 3.9, 241-244; 439/135-138, 439/142, 367, 373, 535-537, 541, 892, 938
See application file for complete search history.

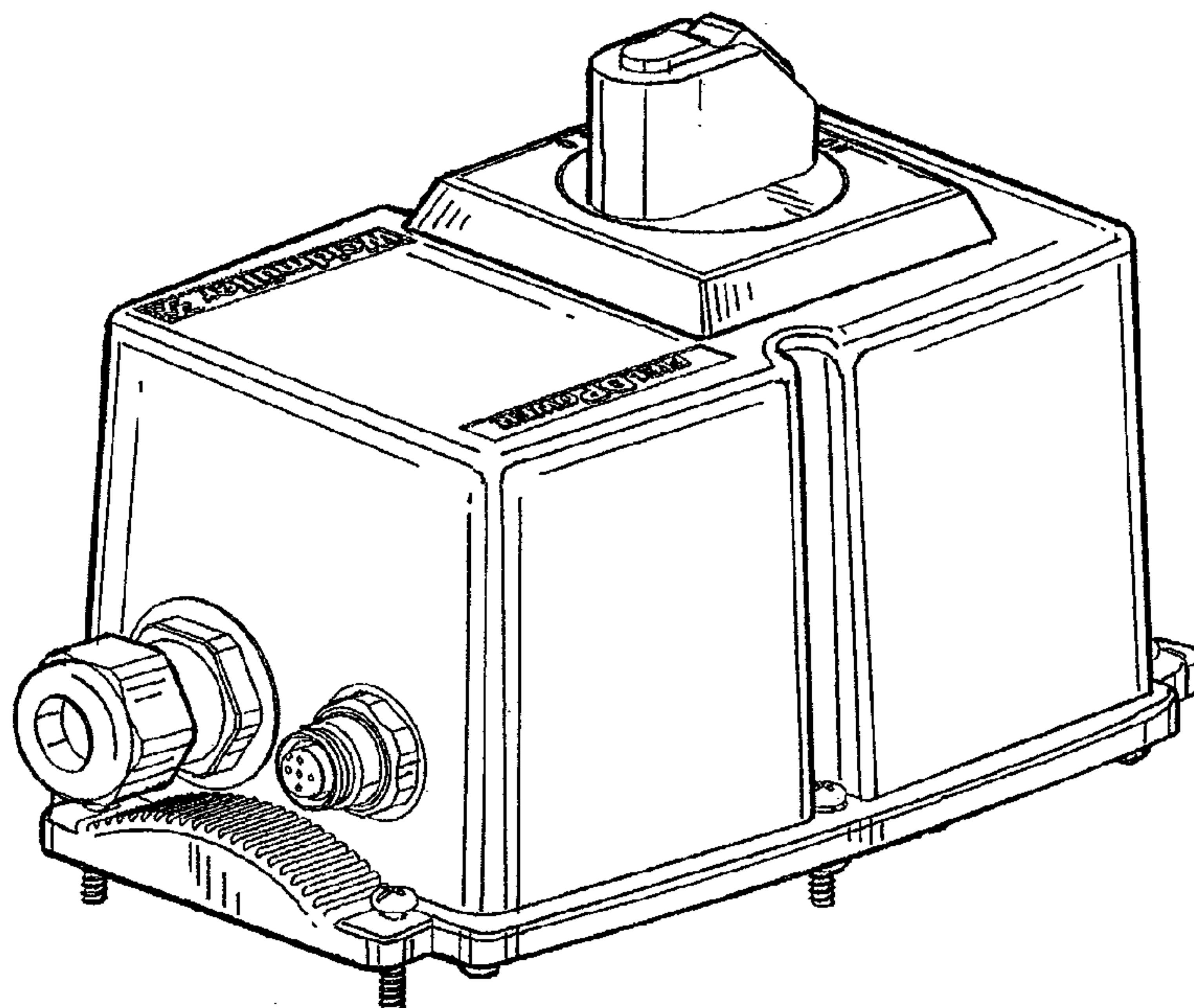
FIG. 1 is a front perspective view of a housing for electrical connectors according to our novel design;
FIG. 2 is a front view thereof;
FIG. 3 is a rear view thereof;
FIG. 4 is a left side view thereof;
FIG. 5 is a right side view thereof; and,
FIG. 6 is a top view thereof.

(56) **References Cited**

U.S. PATENT DOCUMENTS

4,988,832 A 1/1991 Shotey

1 Claim, 3 Drawing Sheets



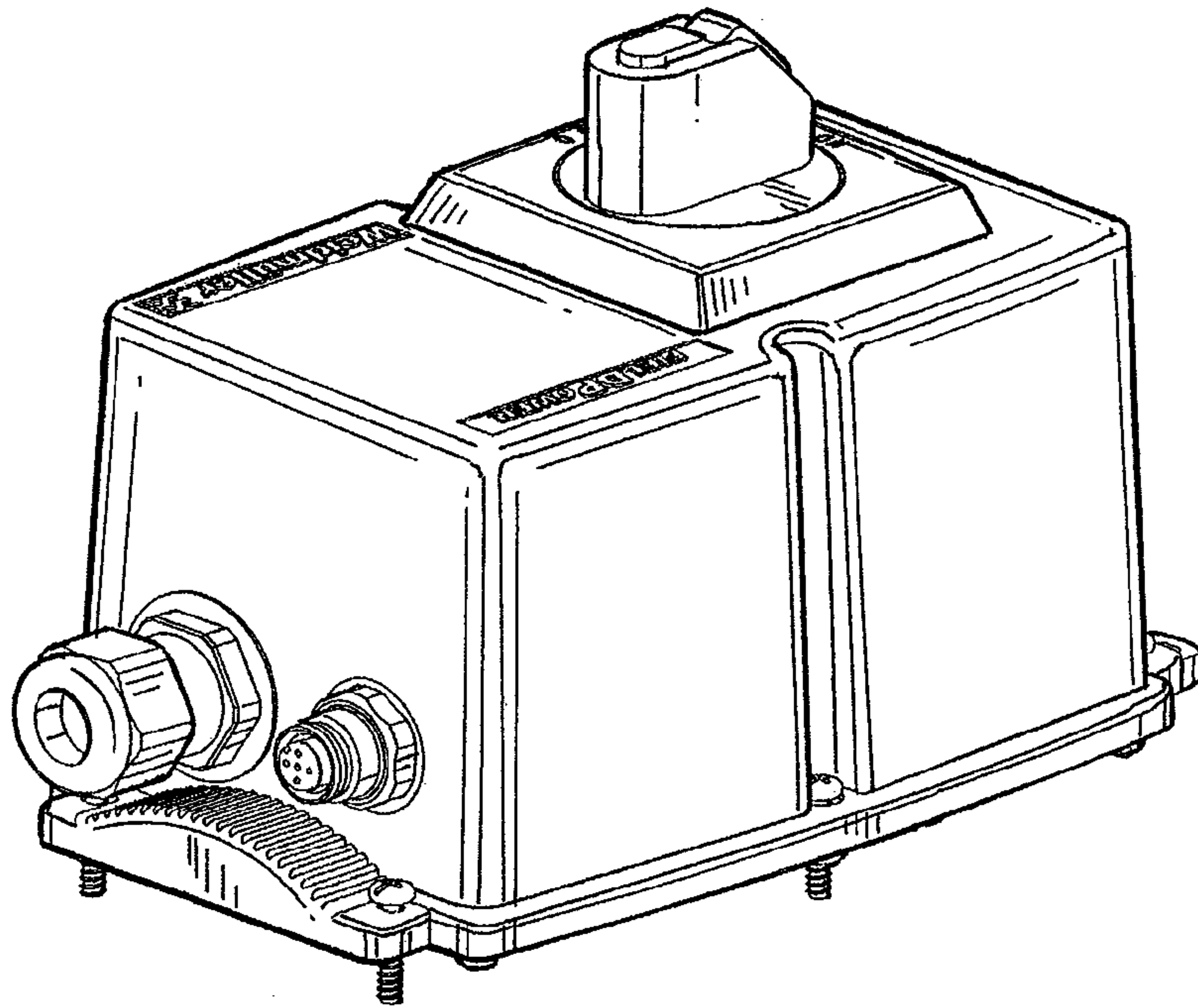


FIG. 1

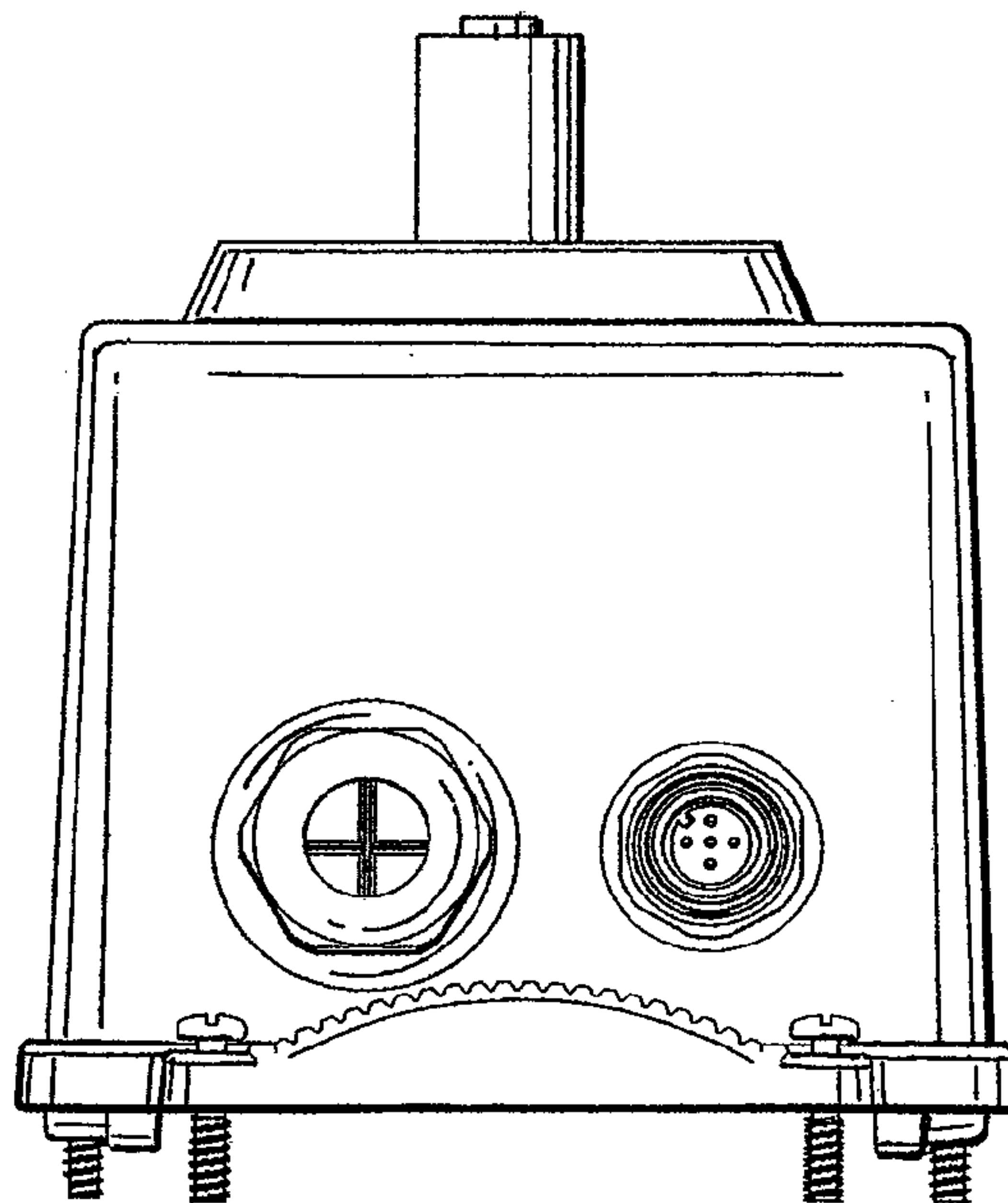


FIG. 2

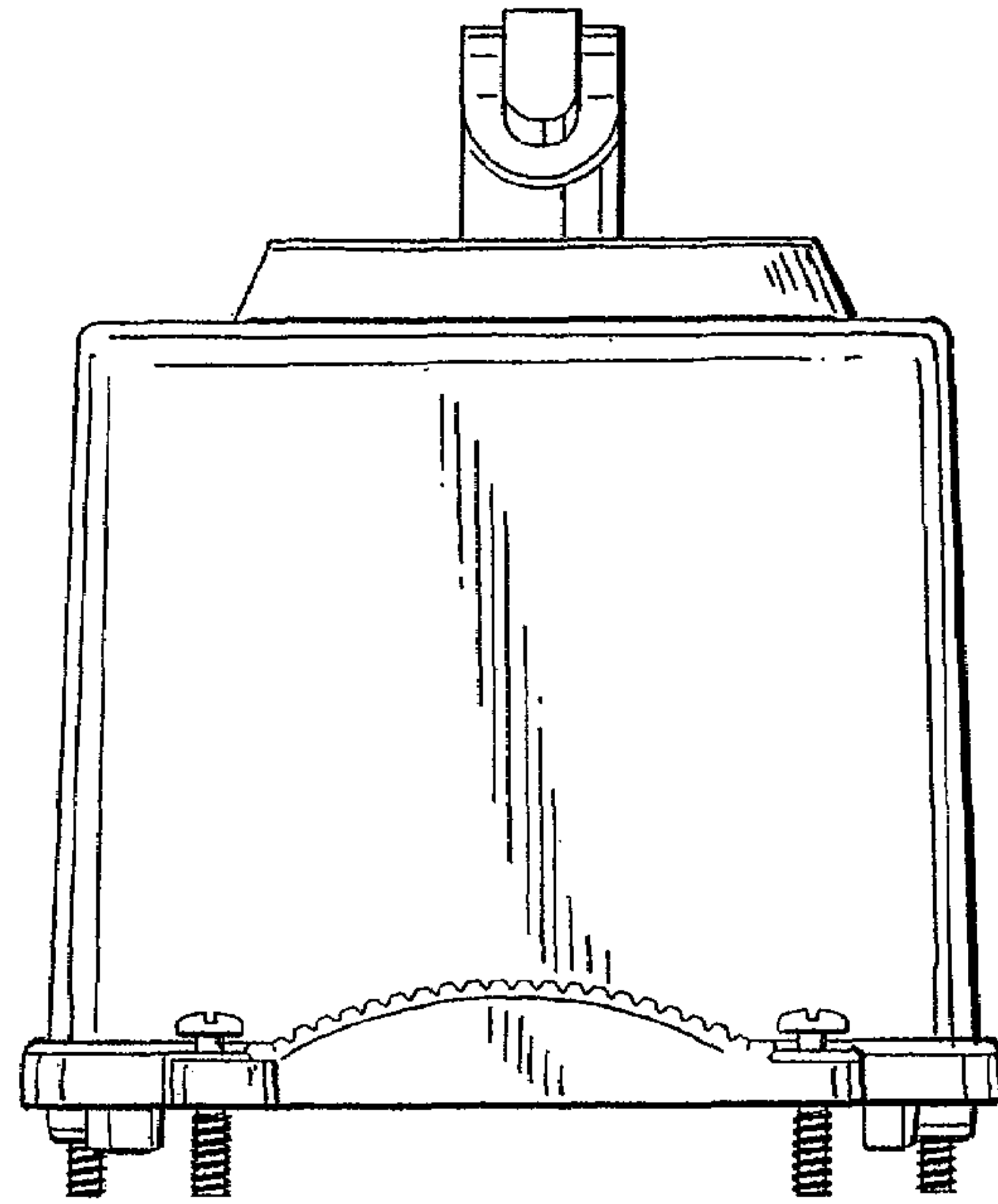


FIG. 3

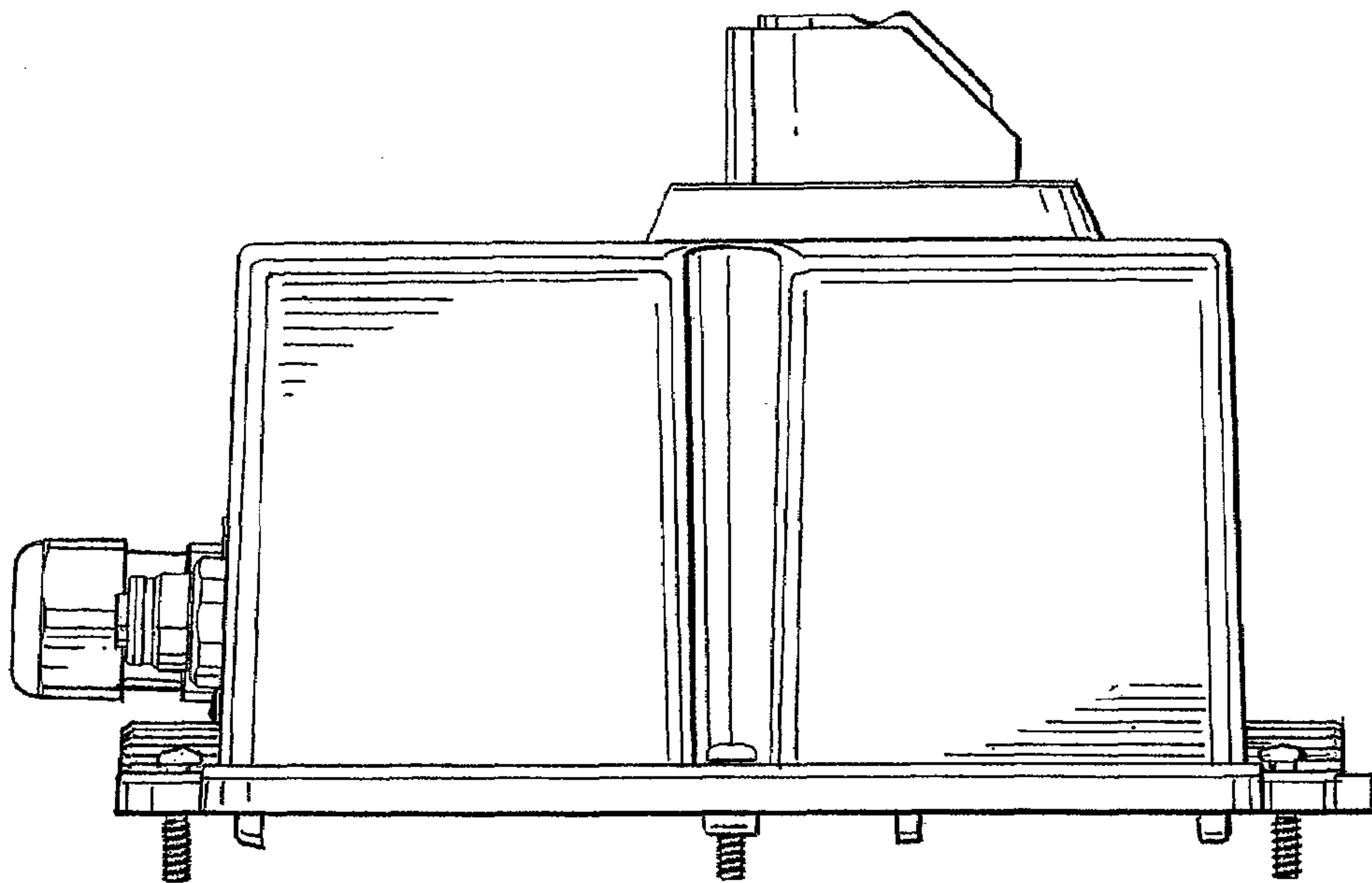


FIG. 4

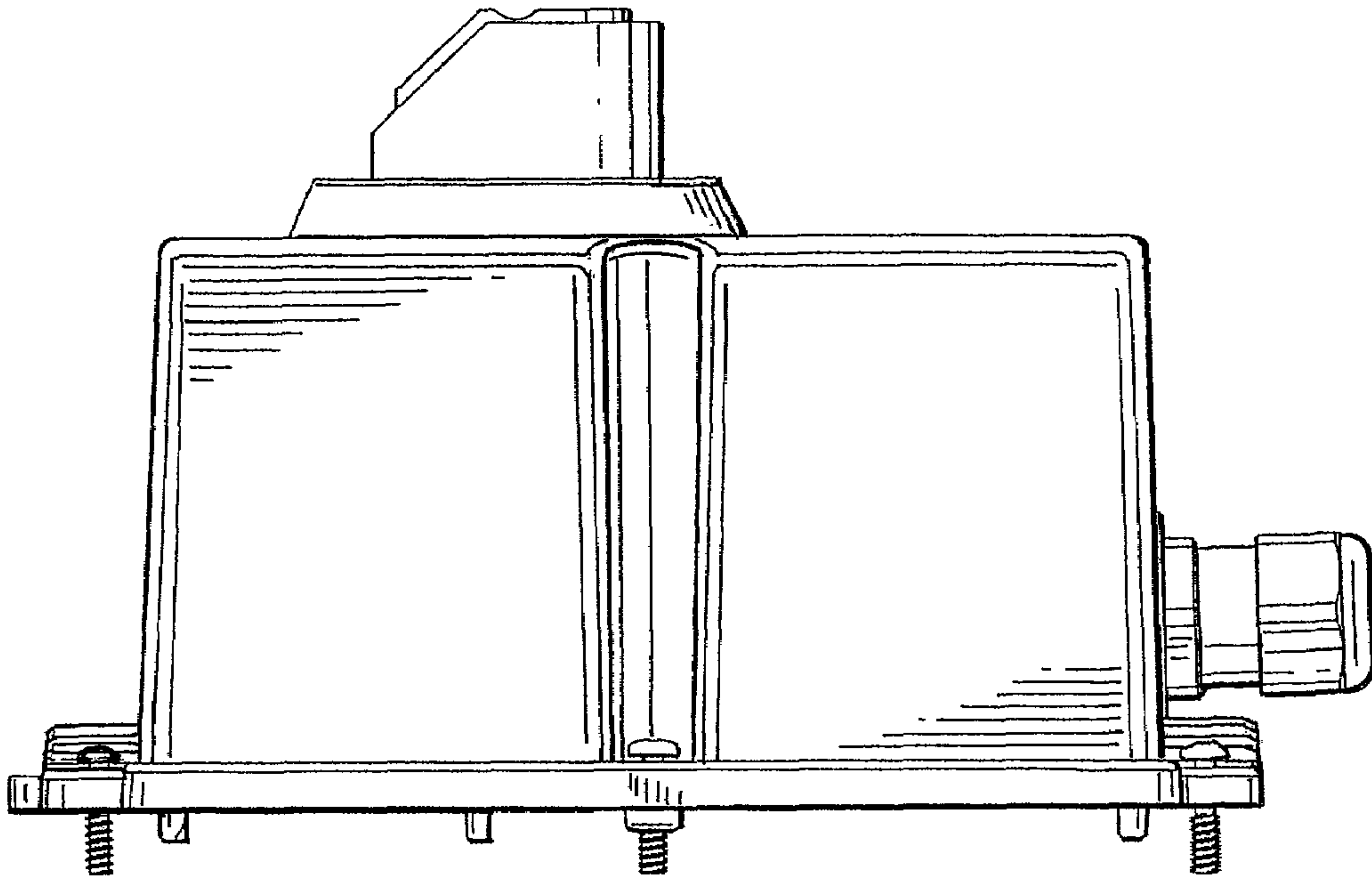


FIG. 5

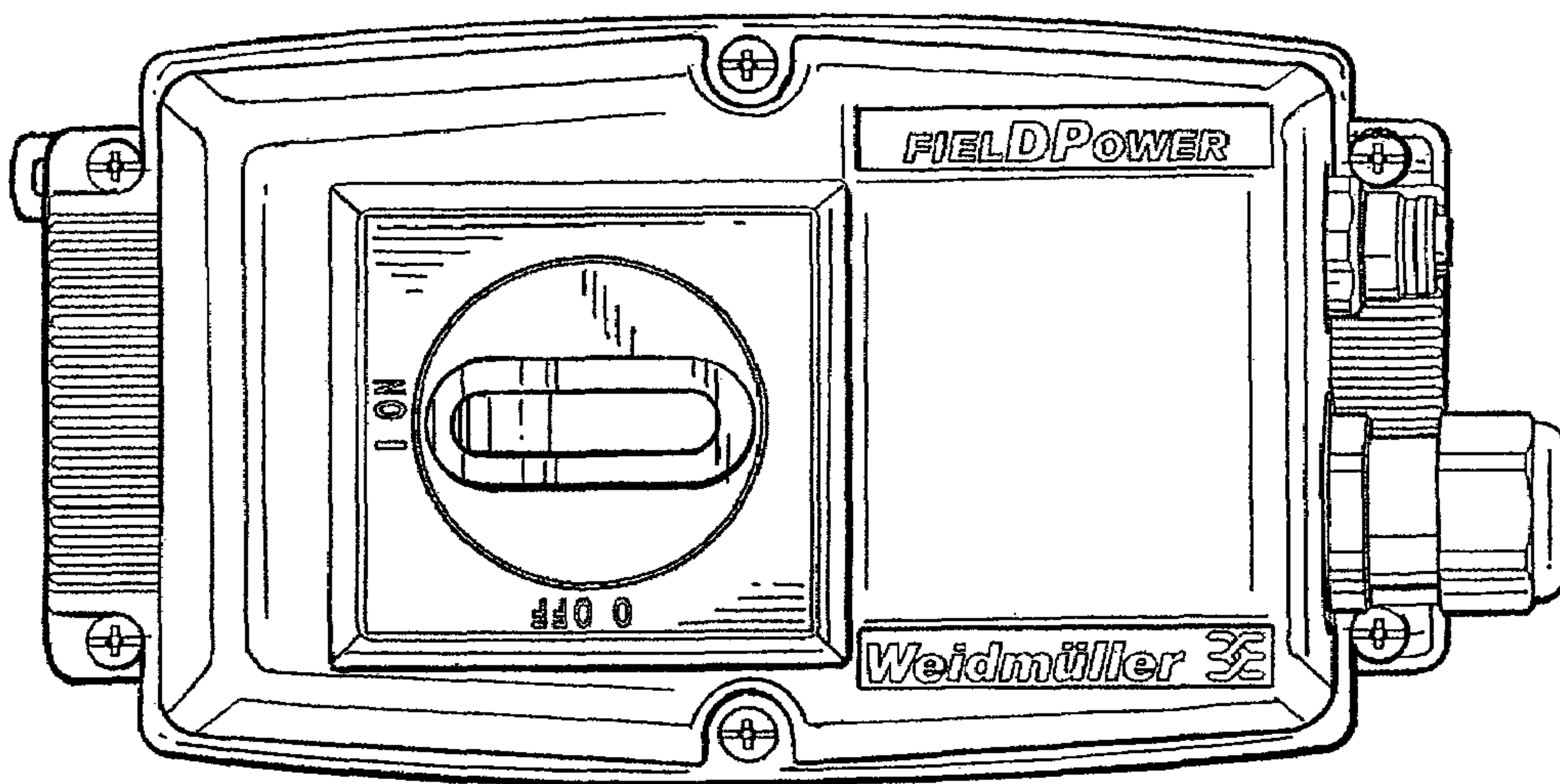


FIG. 6