



US00D596581S

(12) **United States Design Patent**
Amidon

(10) **Patent No.:** **US D596,581 S**
(45) **Date of Patent:** **** Jul. 21, 2009**

(54) **OPEN COMPRESSION-TYPE COAXIAL
CABLE CONNECTOR**

D574,784 S 8/2008 Chawgo

OTHER PUBLICATIONS

(75) Inventor: **Jeremy Amidon**, Marcellus, NY (US)

(73) Assignee: **John Mezzalingua Assoc., Inc.**, E.
Syracuse, NY (US)

(**) Term: **14 Years**

(21) Appl. No.: **29/325,540**

(22) Filed: **Oct. 2, 2008**

(51) **LOC (9) Cl.** **13-03**

(52) **U.S. Cl.** **D13/151; D13/133**

(58) **Field of Classification Search** D13/133,
D13/149, 151, 153, 154, 156, 184, 199; 439/133,
439/321, 322, 578, 583, 584, 585, 668, 79,
439/248, 258, 274, 350, 352, 353, 358, 359,
439/362, 378, 445, 447, 656, 660, 676, 677,
439/678, 679, 680, 681, 682, 686; 411/7,
411/11; 426/507; 28/828; 307/10.1; 333/81 A
See application file for complete search history.

Chawgo, Shawn; U.S. Appl. No. 29/297,724, filed Nov. 16, 2007.
Amidon, Jeremy; U.S. Appl. No. 29/299,808, filed Jan. 4, 2008.
Amidon, Jeremy; U.S. Appl. No. 29/299,820, filed Jan. 4, 2008.
Amidon, Jeremy; U.S. Appl. No. 29/299,878, filed Jan. 7, 2008.
Amidon, Jeremy; U.S. Appl. No. 29/299,879, filed Jan. 7, 2008.
Amidon, Jeremy; U.S. Appl. No. 29/299,883, filed Jan. 7, 2008.
Amidon, Jeremy; U.S. Appl. No. 29/299,889, filed Jan. 7, 2008.
Amidon, Jeremy; U.S. Appl. No. 29/299,890, filed Jan. 7, 2008.
Amidon, Jeremy; U.S. Appl. No. 29/299,891, filed Jan. 7, 2008.
Chawgo, Shawn; U.S. Appl. No. 29/325,361, filed Sep. 30, 2008.
Chawgo, Shawn; U.S. Appl. No. 29/325,360, filed Sep. 30, 2008.
Amidon, Jeremy; U.S. Appl. No. 29/325,436, filed Oct. 1, 2008.
Amidon, Jeremy; U.S. Appl. No. 29/325,440, filed Oct. 1, 2008.

Primary Examiner—Daniel D Bui

Assistant Examiner—Thomas J Johannes

(74) *Attorney, Agent, or Firm*—Melissa Bitting

(57) **CLAIM**

The ornamental design for an open compression-type coaxial cable connector, as shown and described.

DESCRIPTION

FIG. 1 is a perspective view of an open compression-type coaxial cable connector, showing my new design;

FIG. 2 is a side elevation view thereof, enlarged, with the opposite side elevation view being a mirror image thereto;

FIG. 3 is a rear elevation view thereof;

FIG. 4 is a front elevation view thereof;

FIG. 5 is a top plan view thereof; and,

FIG. 6 is a bottom plan view thereof.

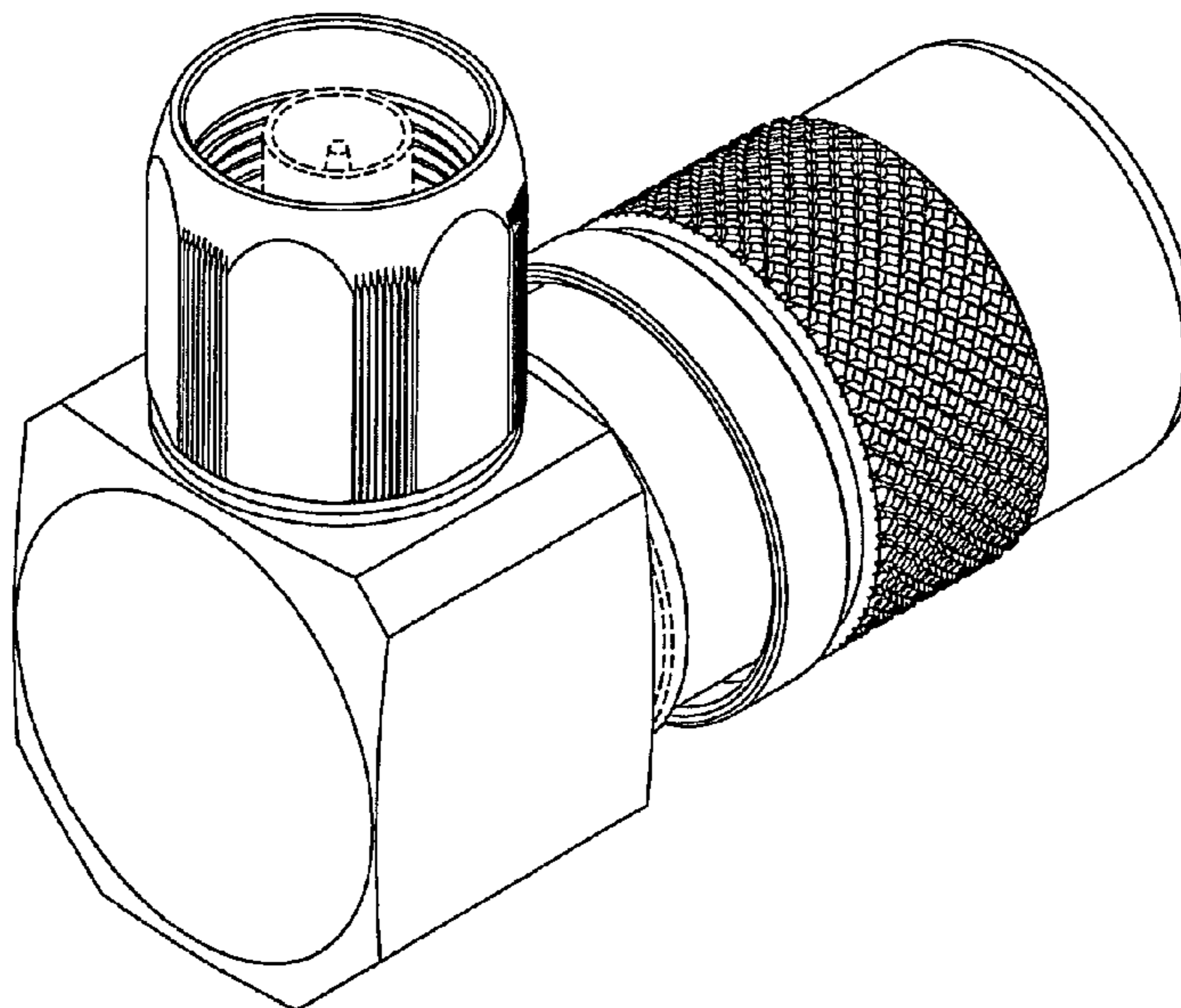
The broken line showing of the environment is for illustrative purposes only and forms no part of the claimed design.

(56) **References Cited**

U.S. PATENT DOCUMENTS

D571,732 S	6/2008	Chawgo
D572,197 S	7/2008	Chawgo
D572,198 S	7/2008	Chawgo
D572,199 S	7/2008	Chawgo
D572,200 S	7/2008	Chawgo
D572,663 S	7/2008	Chawgo
D574,780 S	8/2008	Chawgo
D574,781 S	8/2008	Chawgo
D574,782 S	8/2008	Chawgo
D574,783 S	8/2008	Chawgo

1 Claim, 6 Drawing Sheets



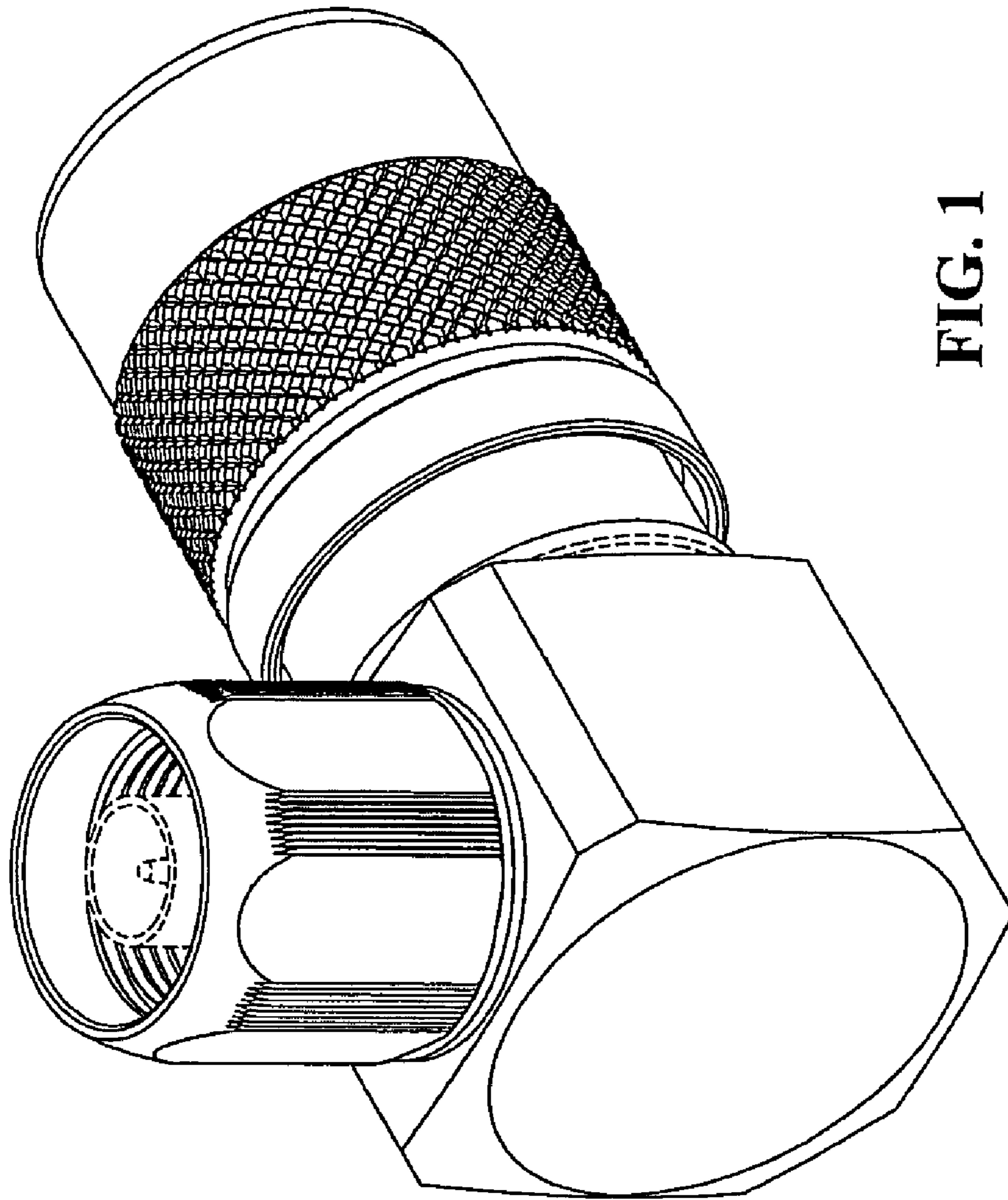


FIG. 1

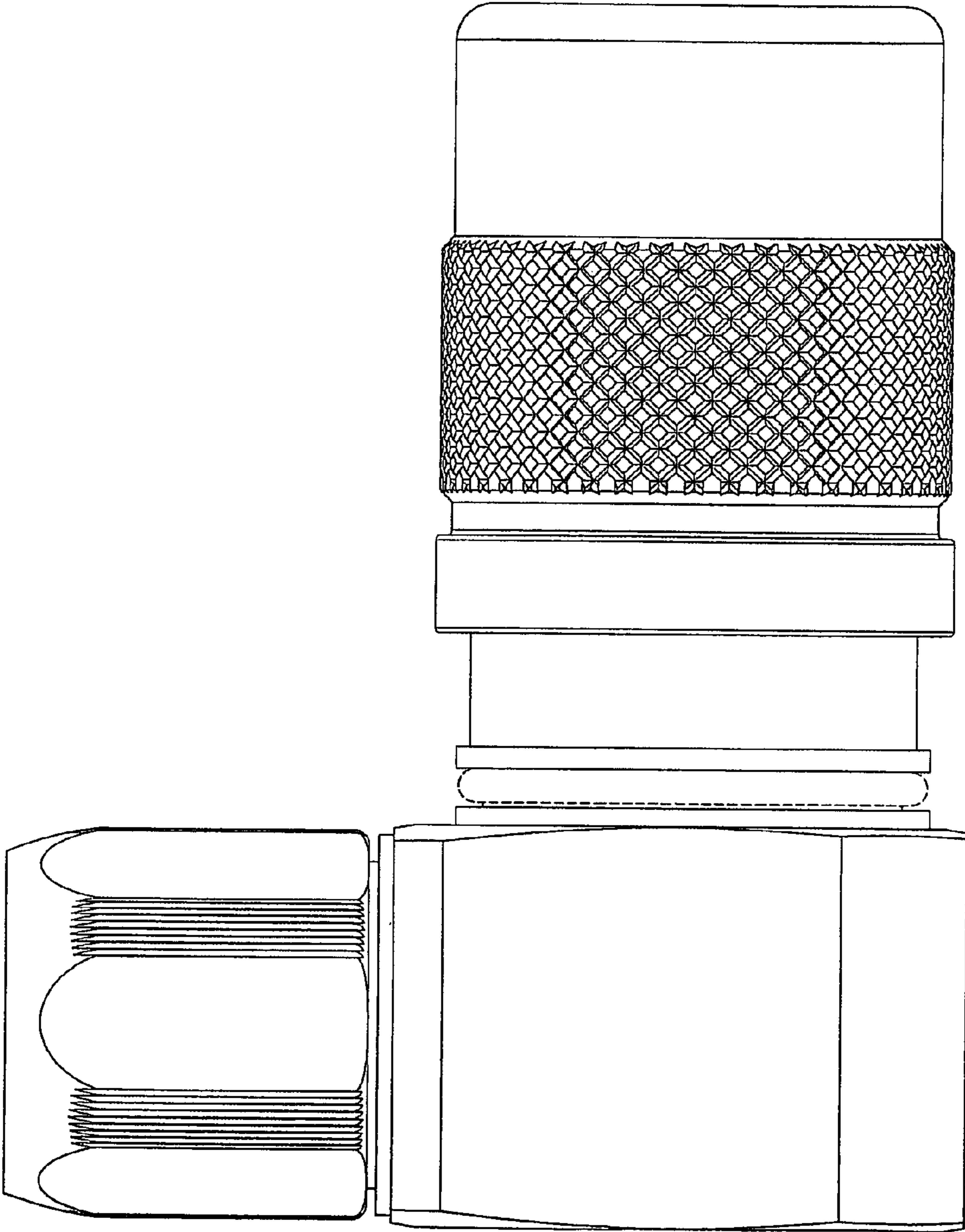


FIG. 2

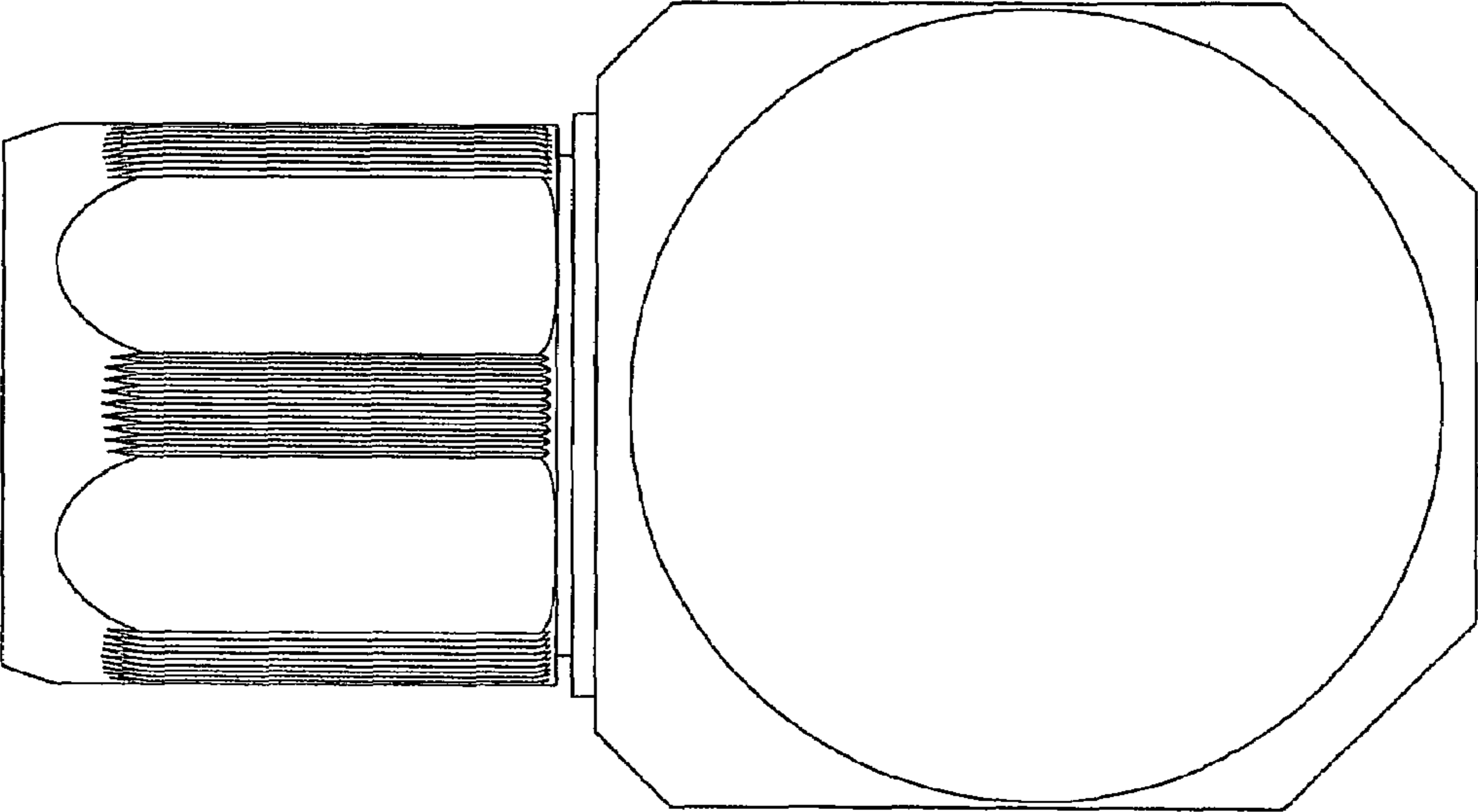


FIG. 3

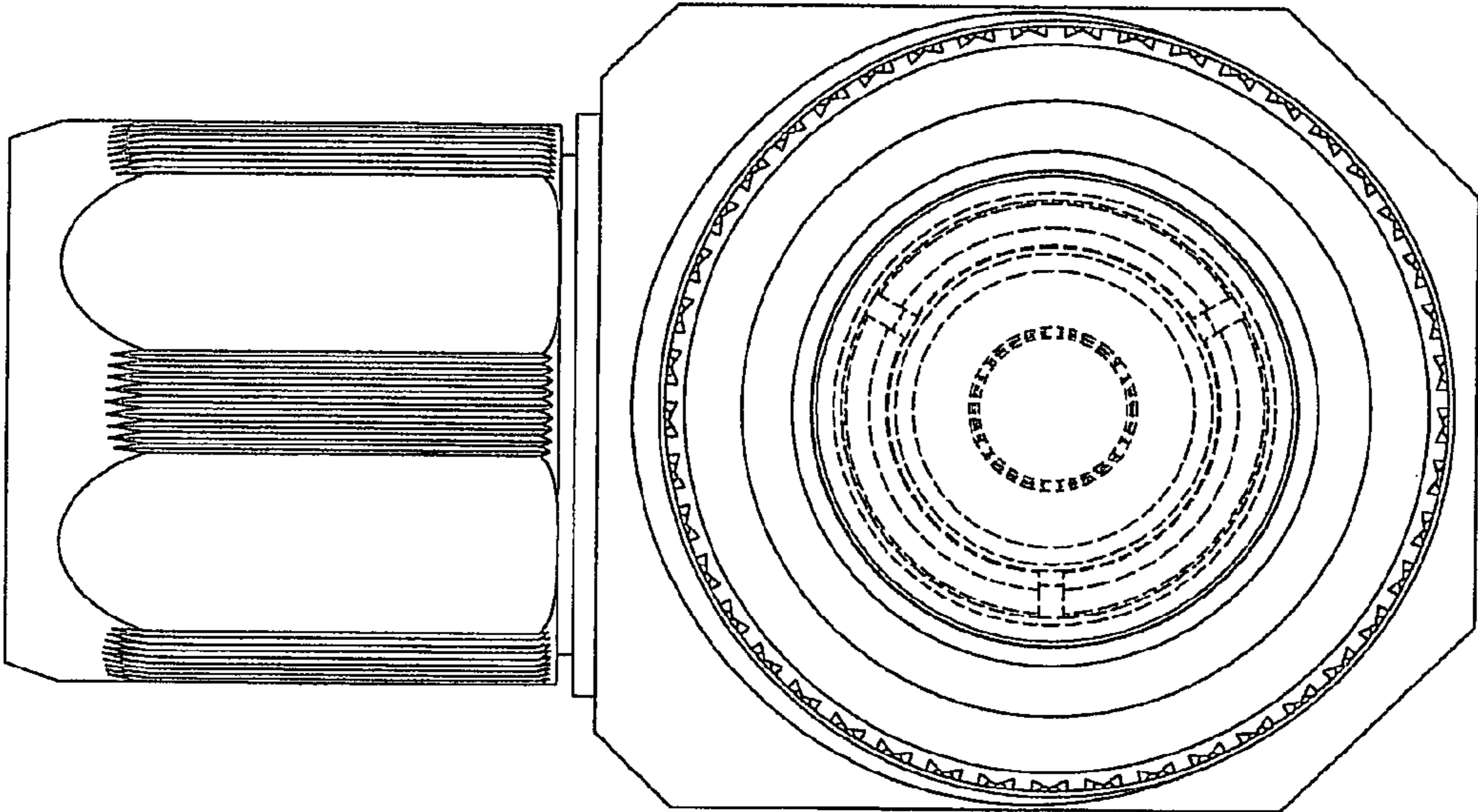


FIG. 4

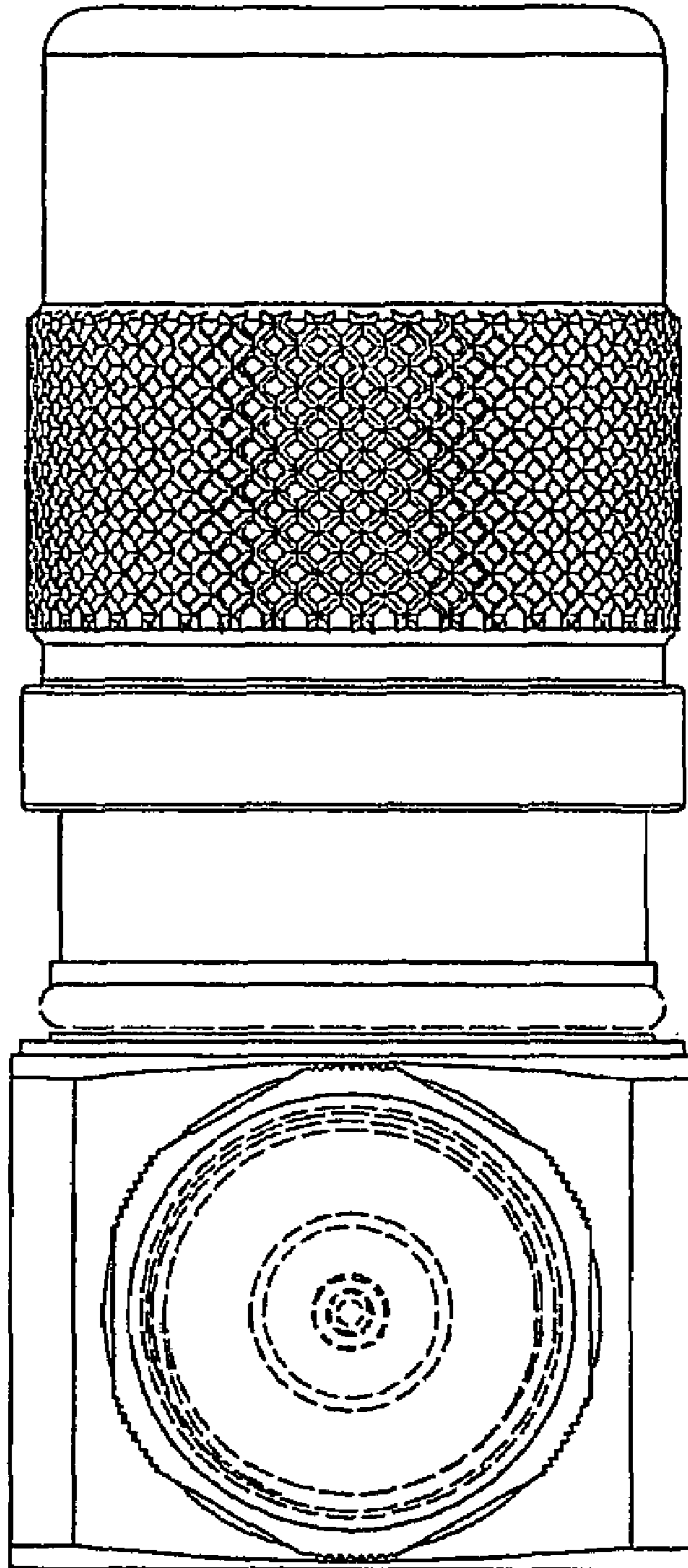


FIG. 5

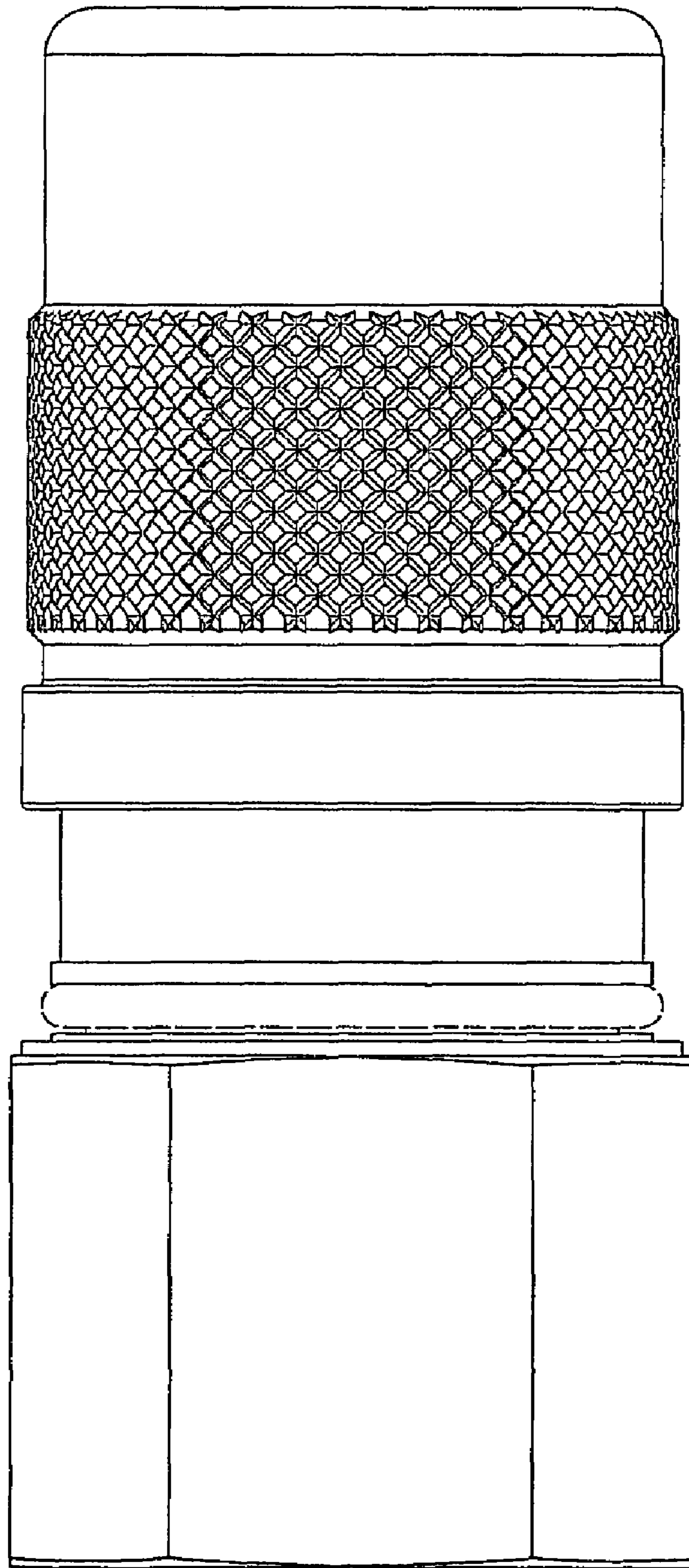


FIG. 6