



US00D596580S

(12) **United States Design Patent**
Chawgo et al.

(10) **Patent No.:** **US D596,580 S**
(45) **Date of Patent:** **** Jul. 21, 2009**

(54) **CLOSED COMPRESSION-TYPE COAXIAL CABLE CONNECTOR**

D574,782 S 8/2008 Chawgo
D574,783 S 8/2008 Chawgo
D574,784 S 8/2008 Chawgo

(75) Inventors: **Shawn Chawgo**, Cicero, NY (US);
Noah Montena, Syracuse, NY (US);
Christopher Philip Natoli, Fulton, NY (US)

OTHER PUBLICATIONS

Chawgo, Shawn; U.S. Appl. No. 29/297,724, filed Nov. 16, 2007.
Amidon, Jeremy; U.S. Appl. No. 29/299,808, filed Jan. 4, 2008.
Amidon, Jeremy; U.S. Appl. No. 29/299,820, filed Jan. 4, 2008.
Amidon, Jeremy; U.S. Appl. No. 29/299,878, filed Jan. 7, 2008.
Amidon, Jeremy; U.S. Appl. No. 29/299,879, filed Jan. 7, 2008.
Amidon, Jeremy; U.S. Appl. No. 29/299,883, filed Jan. 7, 2008.
Amidon, Jeremy; U.S. Appl. No. 29/299,889, filed Jan. 7, 2008.
Amidon, Jeremy; U.S. Appl. No. 29/299,890, filed Jan. 7, 2008.
Amidon, Jeremy; U.S. Appl. No. 29/299,891, filed Jan. 7, 2008.

(73) Assignee: **John Mezzalingua Assoc., Inc.**, E. Syracuse, NY (US)

(**) Term: **14 Years**

Primary Examiner—Daniel D Bui
Assistant Examiner—Thomas J Johannes
(74) *Attorney, Agent, or Firm*—Melissa Bitting

(21) Appl. No.: **29/325,361**

(22) Filed: **Sep. 30, 2008**

(51) **LOC (9) Cl.** **13-03**

(52) **U.S. Cl.** **D13/151; D13/133**

(58) **Field of Classification Search** D13/133,
D13/149, 151, 153, 154, 156, 184, 199; 439/133,
439/321, 322, 578, 583, 584, 585, 668, 79,
439/248, 258, 274, 350, 352, 353, 358, 359,
439/362, 378, 445, 447, 656, 660, 676, 677,
439/678, 679, 680, 681, 682, 686; 411/7,
411/11; 426/507; 28/828; 307/10.1; 333/81 A
See application file for complete search history.

(57) **CLAIM**

The ornamental design for a closed compression-type coaxial cable connector, as shown and described.

DESCRIPTION

FIG. 1 is a perspective view of a closed compression-type coaxial cable connector, showing our new design;
FIG. 2 is a side elevation view thereof, enlarged, with the opposite side elevation view being a mirror image thereto;
FIG. 3 is a rear elevation view thereof;
FIG. 4 is a front elevation view thereof;
FIG. 5 is a top plan view thereof; and,
FIG. 6 is a bottom plan view thereof.

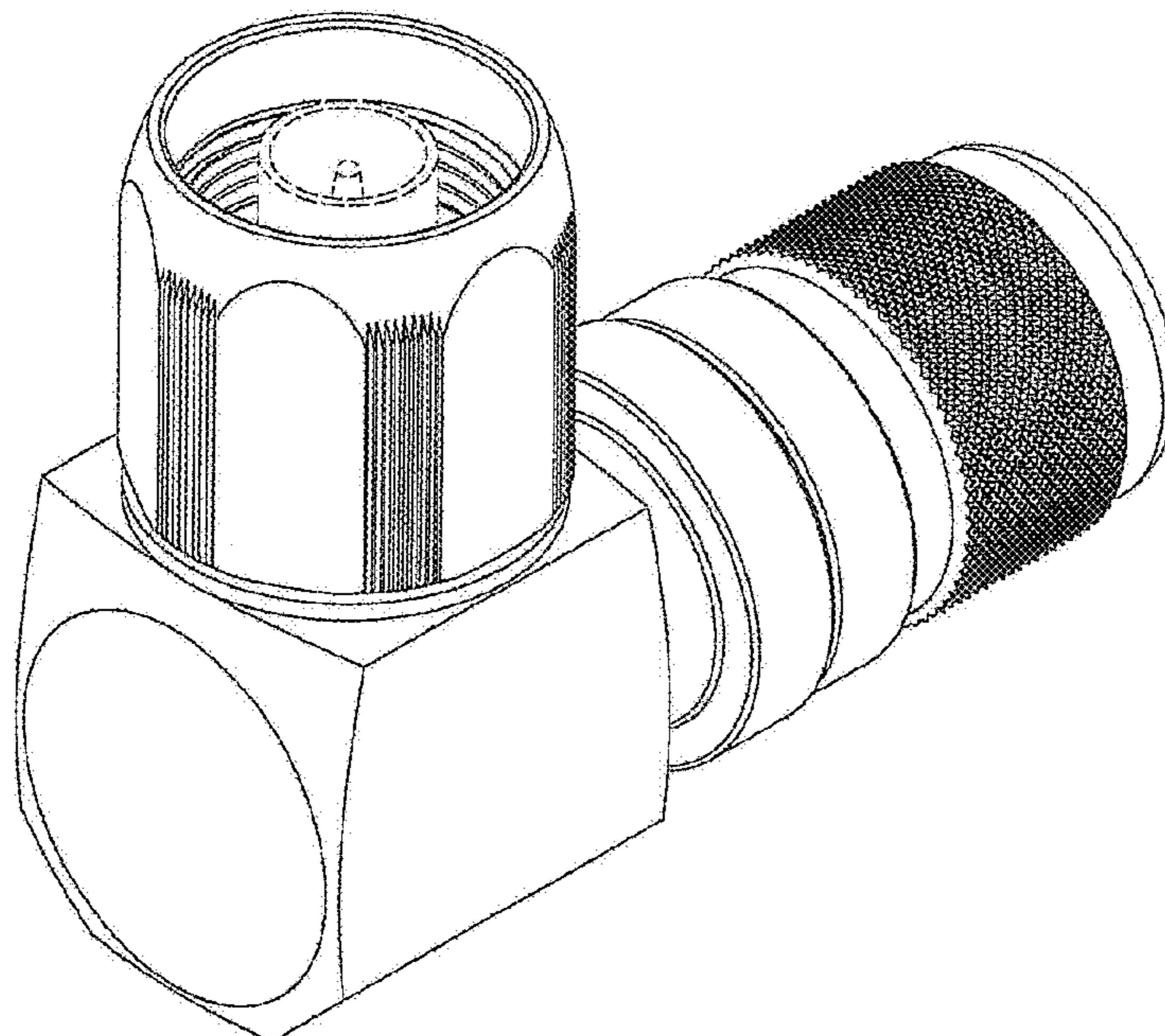
The broken line showing of the environment is for illustrative purposes only and forms no part of the claimed design.

(56) **References Cited**

U.S. PATENT DOCUMENTS

D571,732 S 6/2008 Chawgo
D572,197 S 7/2008 Chawgo
D572,198 S 7/2008 Chawgo
D572,199 S 7/2008 Chawgo
D572,200 S 7/2008 Chawgo
D572,663 S 7/2008 Chawgo
D574,780 S 8/2008 Chawgo
D574,781 S 8/2008 Chawgo

1 Claim, 6 Drawing Sheets



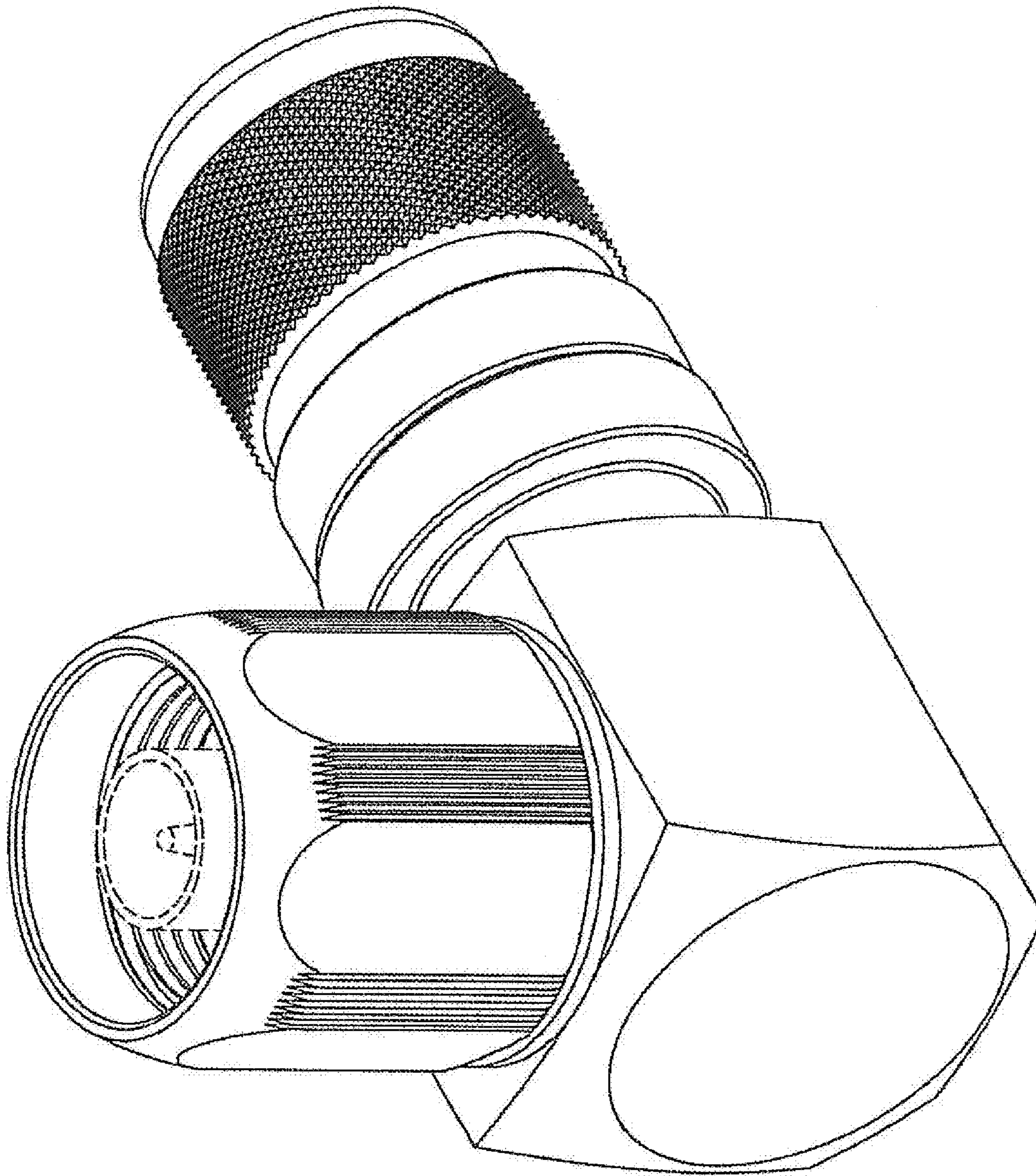


FIG. 1

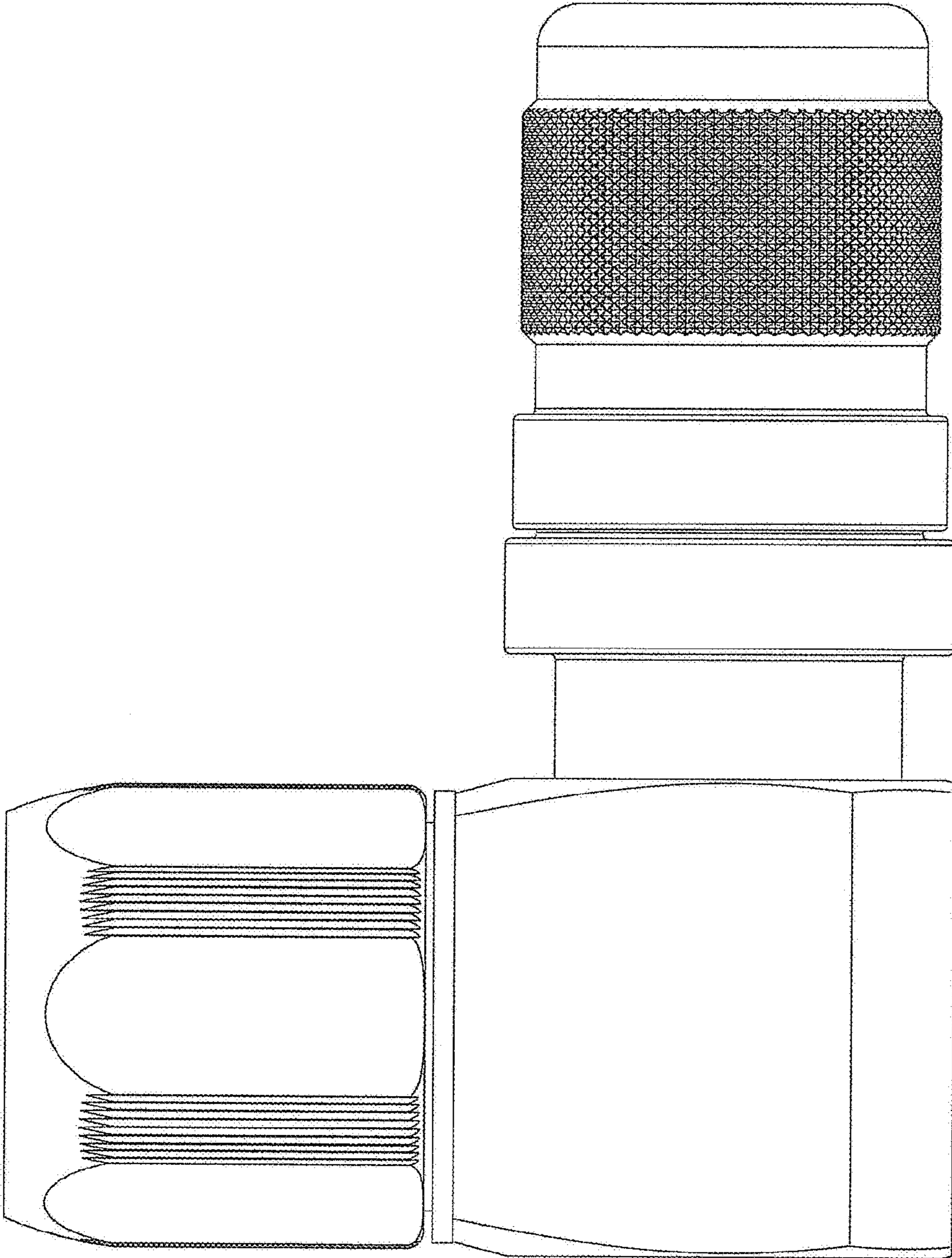


FIG. 2

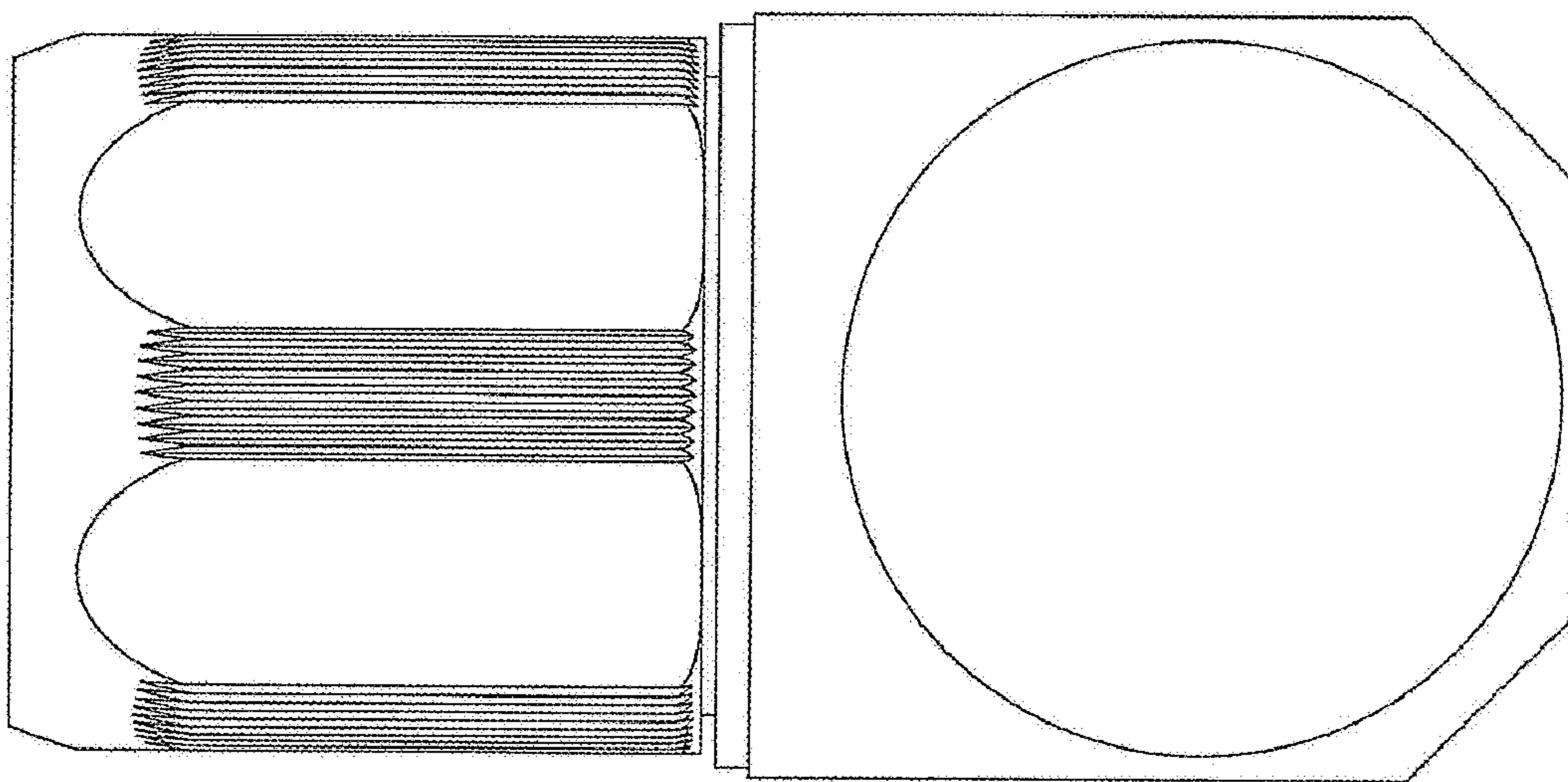


FIG. 3

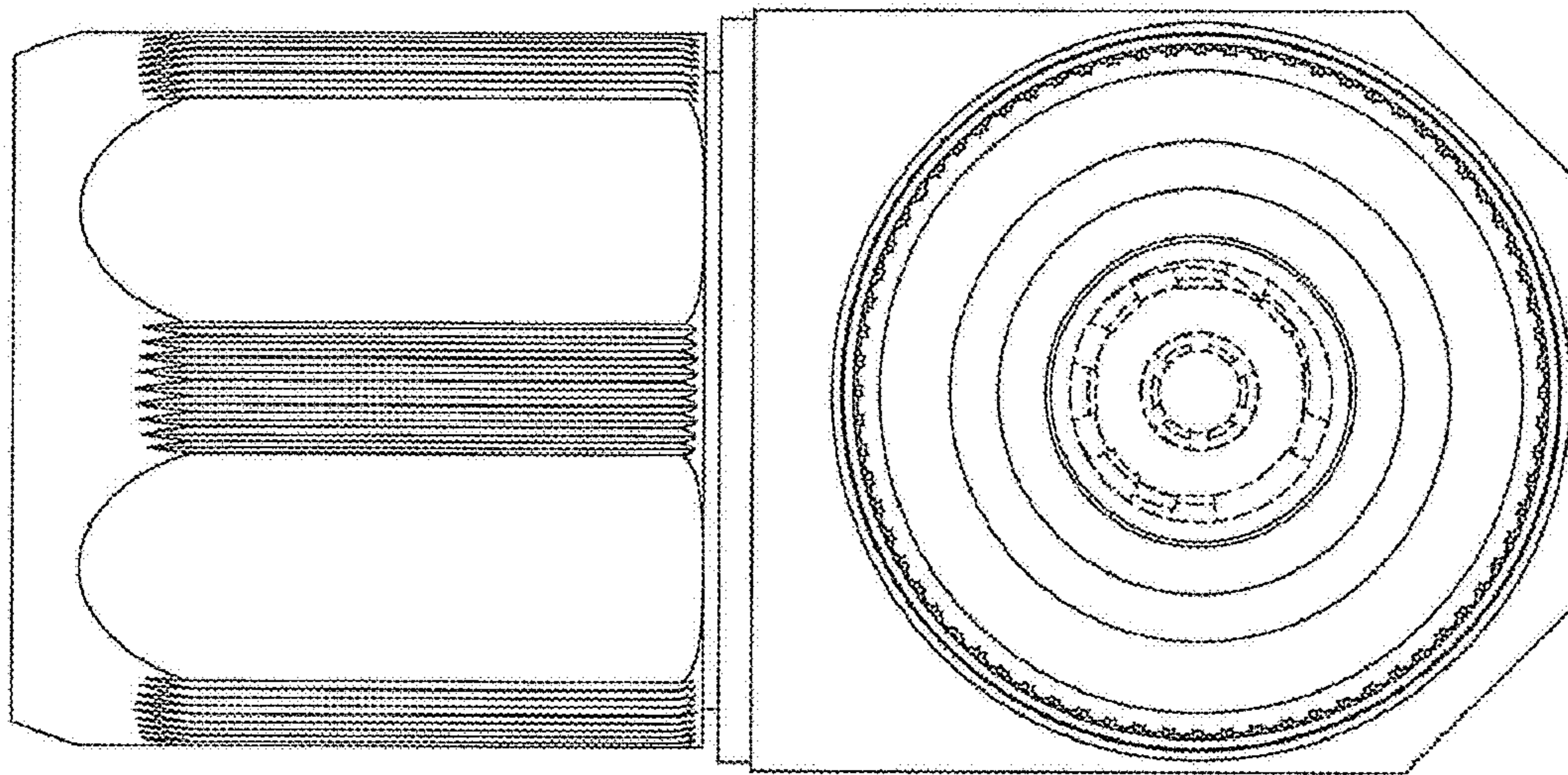


FIG. 4

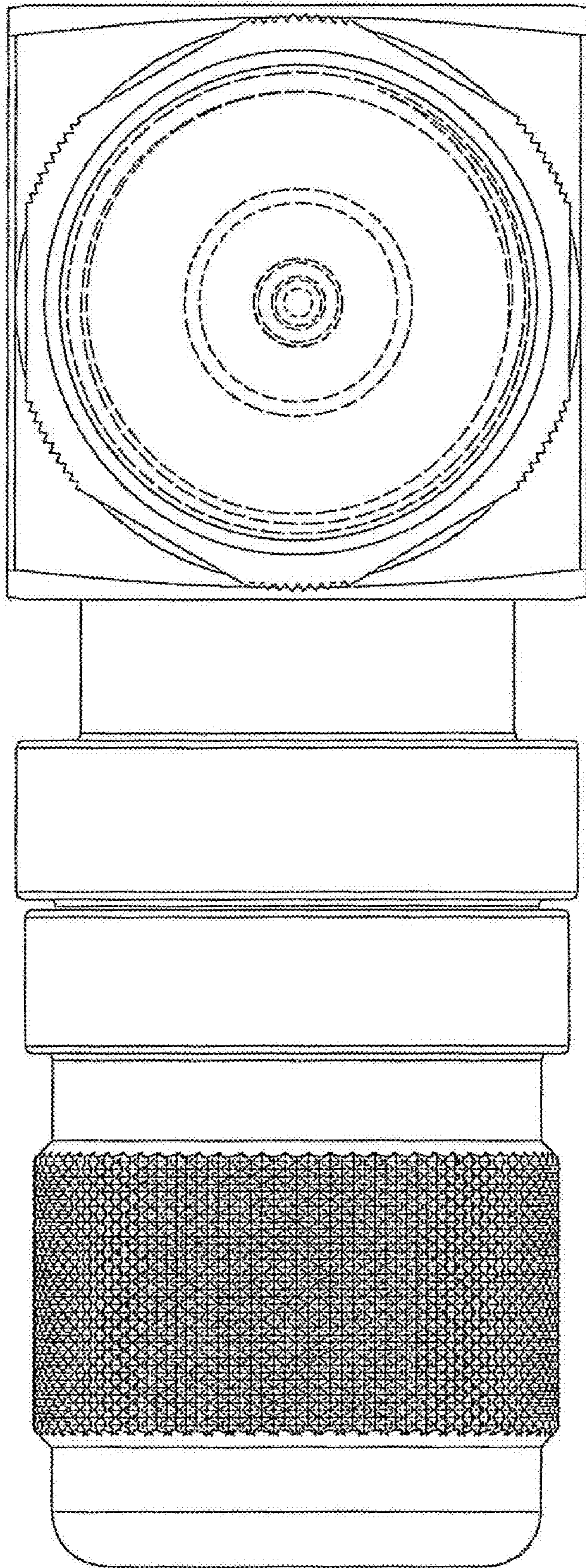


FIG. 5

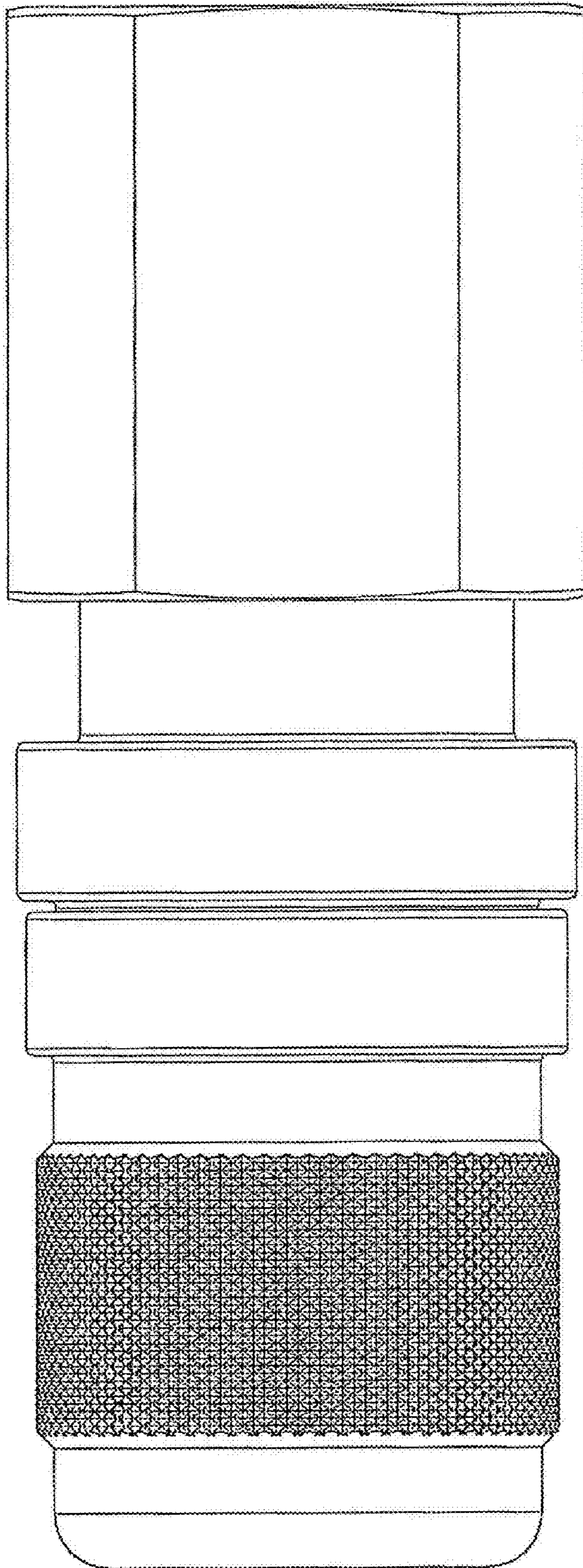


FIG. 6