



US00D596578S

(12) **United States Design Patent**  
**Kiely et al.**

(10) **Patent No.:** **US D596,578 S**  
(45) **Date of Patent:** **\*\* Jul. 21, 2009**

(54) **ELECTRICAL CONNECTOR**

(75) Inventors: **Kenneth M. Kiely**, Milford, CT (US);  
**Delbert Auray**, Southport, CT (US)

(73) Assignee: **Bridgeport Fittings, Inc.**, Stratford, CT (US)

(\*\*) Term: **14 Years**

(21) Appl. No.: **29/291,942**

(22) Filed: **Sep. 21, 2007**

(51) **LOC (9) Cl.** ..... **13-03**

(52) **U.S. Cl.** ..... **D13/149**

(58) **Field of Classification Search** ..... D13/133,  
D13/149, 151, 154, 156, 184, 199; 174/64,  
174/65 R, 350, 655, 657; D8/396; 285/195,  
285/154.3; D23/262; 429/142, 552  
See application file for complete search history.

(56) **References Cited**

**U.S. PATENT DOCUMENTS**

D373,110 S *	8/1996	Fukao et al.	.....	D13/146
D404,362 S *	1/1999	Auray et al.	.....	D13/152
D473,783 S	4/2003	Kiely	.....	D8/396
D479,984 S	9/2003	Kiely	.....	D8/396
6,916,988 B1 *	7/2005	Auray et al.	.....	174/665
D518,791 S *	4/2006	Kiely	.....	D13/153
7,057,107 B2 *	6/2006	Auray et al.	.....	174/659

7,064,272 B2 *	6/2006	Auray et al.	.....	174/659
7,075,007 B2 *	7/2006	Auray et al.	.....	174/668
7,151,223 B2 *	12/2006	Auray et al.	.....	174/70 R
7,154,042 B2 *	12/2006	Auray et al.	.....	174/70 R
7,205,489 B2 *	4/2007	Auray et al.	.....	174/666
D573,102 S *	7/2008	Sheehan	.....	D13/153
7,488,905 B2 *	2/2009	Kiely et al.	.....	174/666

\* cited by examiner

*Primary Examiner*—Daniel D Bui

*Assistant Examiner*—Thomas J Johannes

(74) *Attorney, Agent, or Firm*—Fattibene and Fattibene; Paul A. Fattibene; Arthur T. Fattibene

(57) **CLAIM**

The ornamental design for a electrical connector, as shown and described.

**DESCRIPTION**

FIG. 1 is a perspective view of an electrical connector showing my new design.

FIG. 2 is a front elevation view thereof.

FIG. 3 is a rear elevation view thereof.

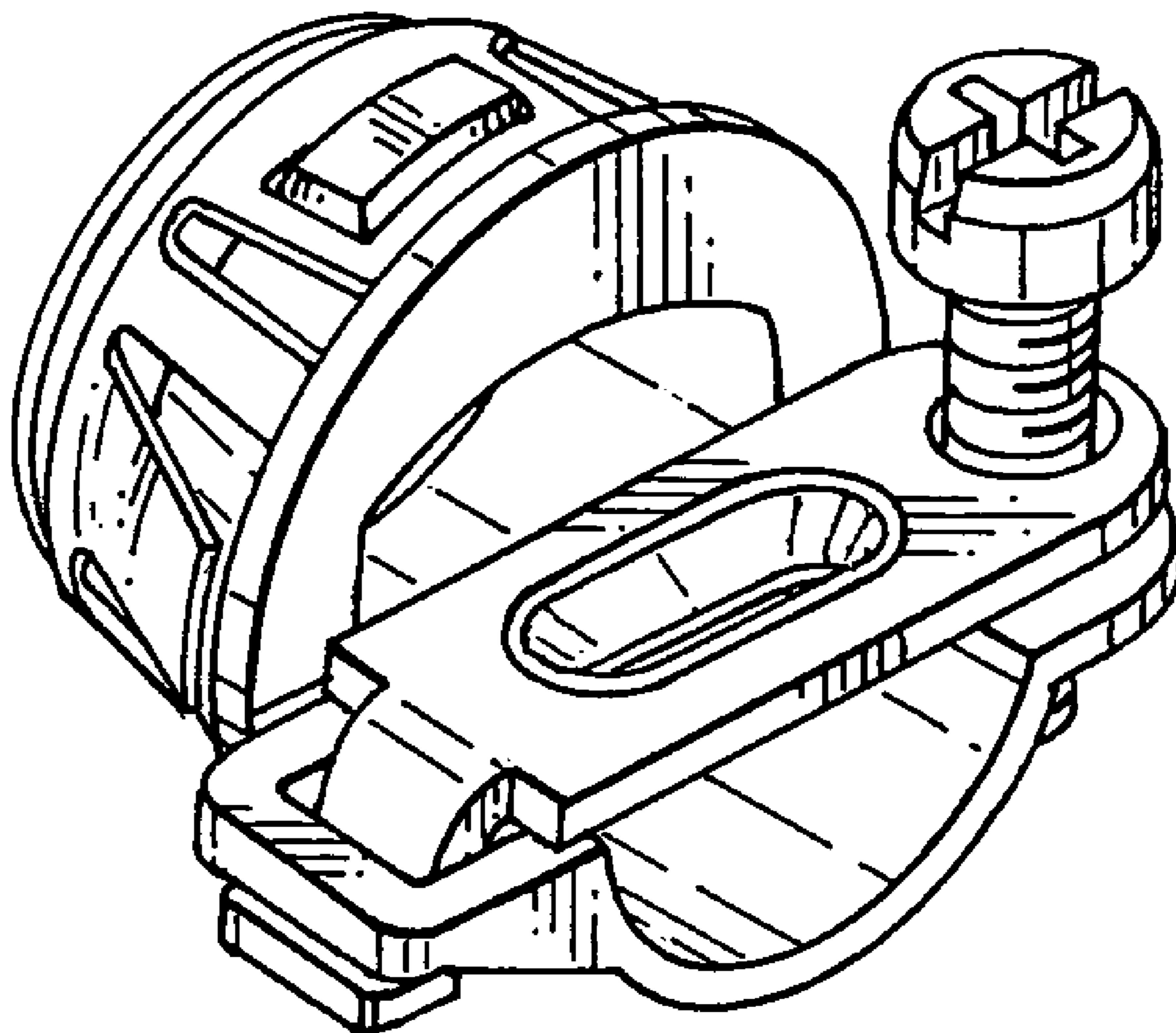
FIG. 4 is a top plan view thereof.

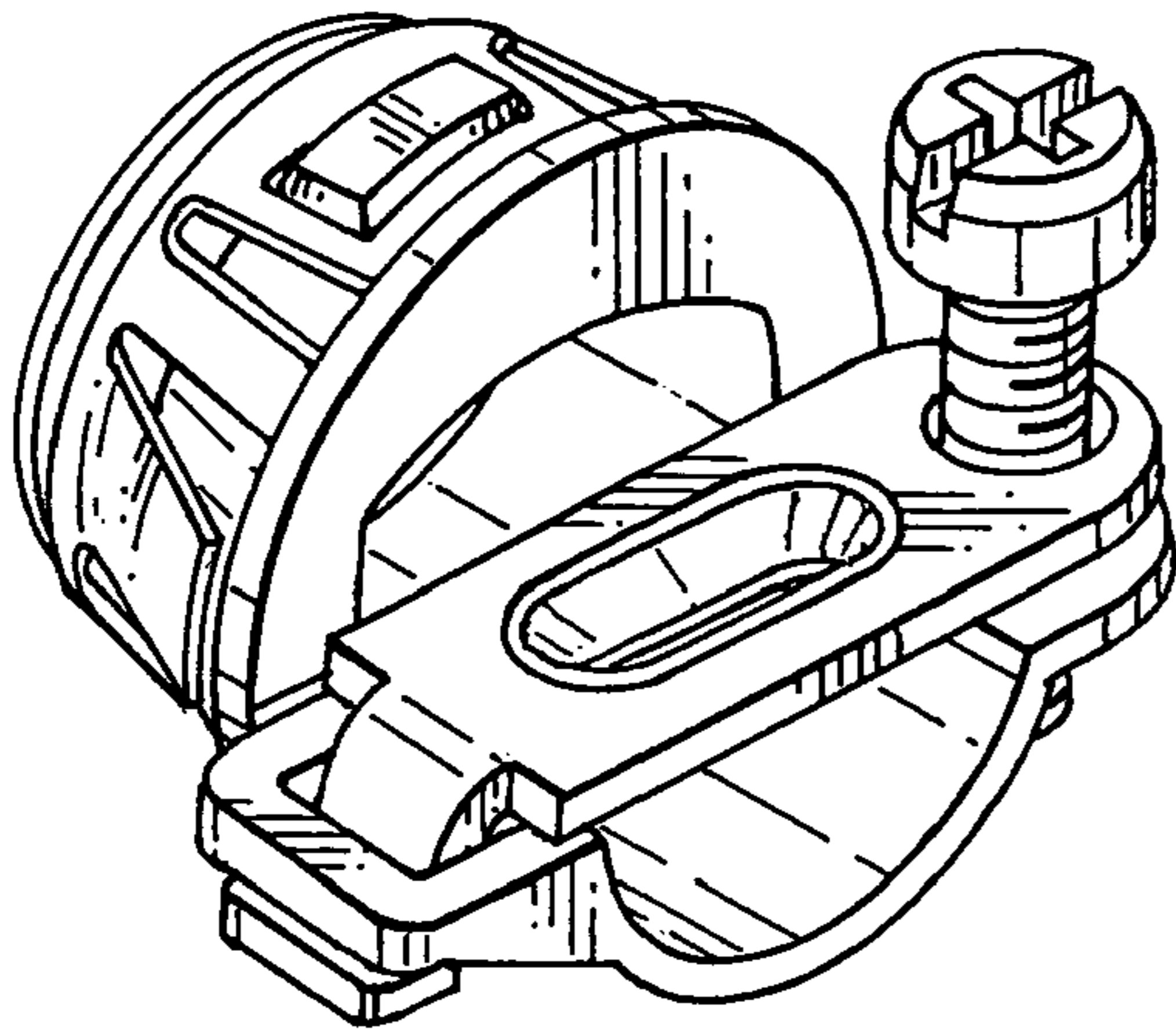
FIG. 5 is a bottom plan view thereof.

FIG. 6 is a right side view thereof; and,

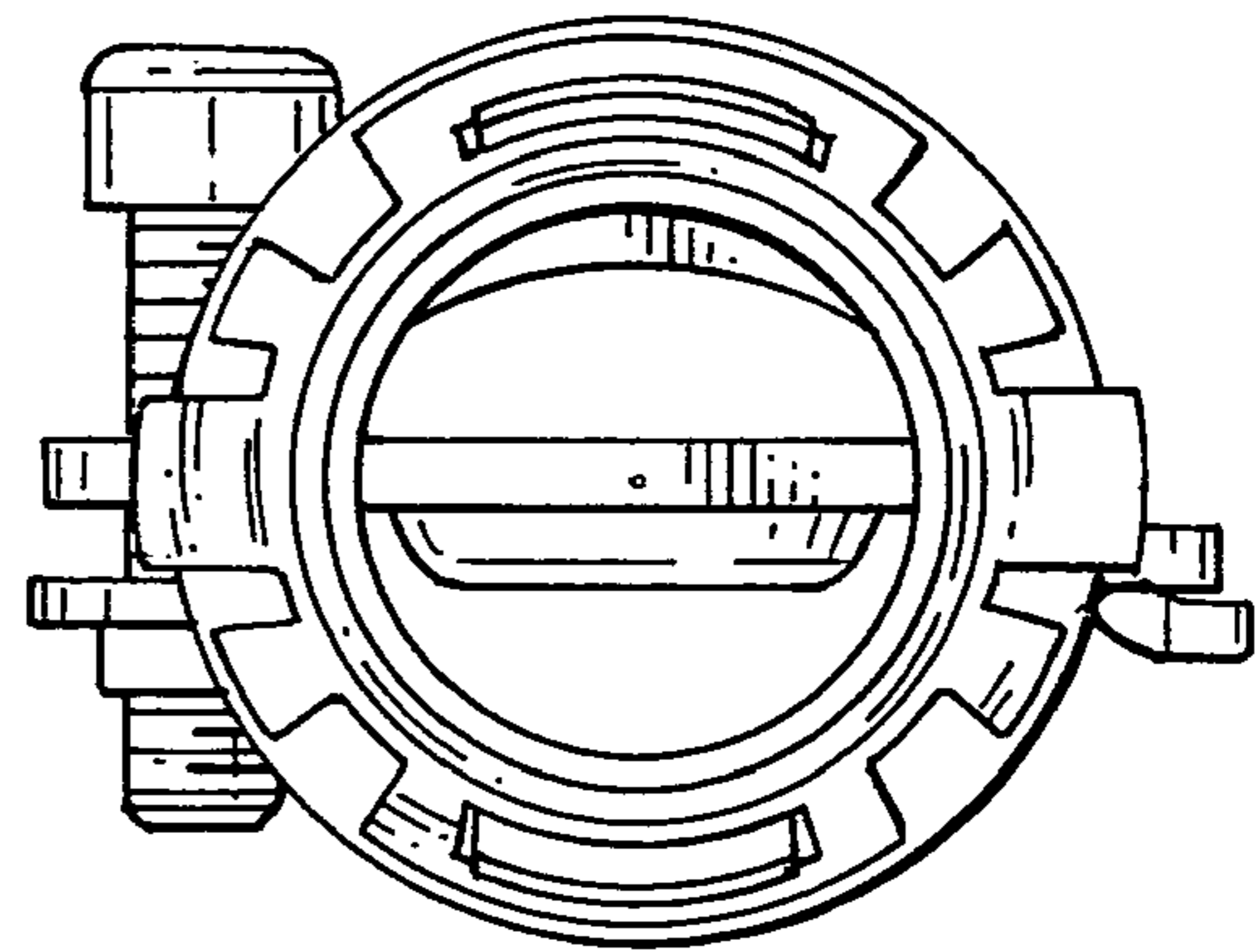
FIG. 7 is a left side view thereof.

**1 Claim, 2 Drawing Sheets**

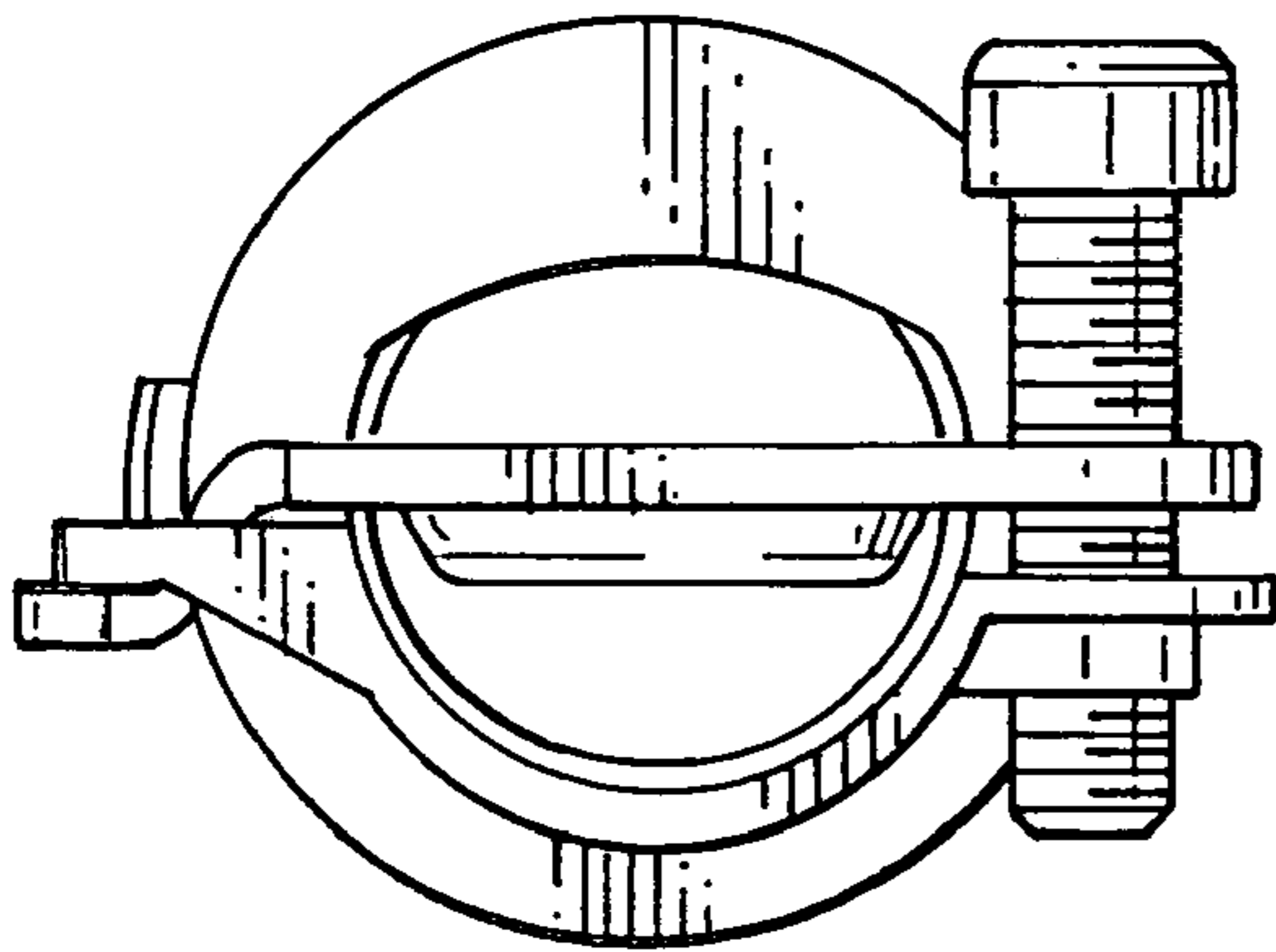




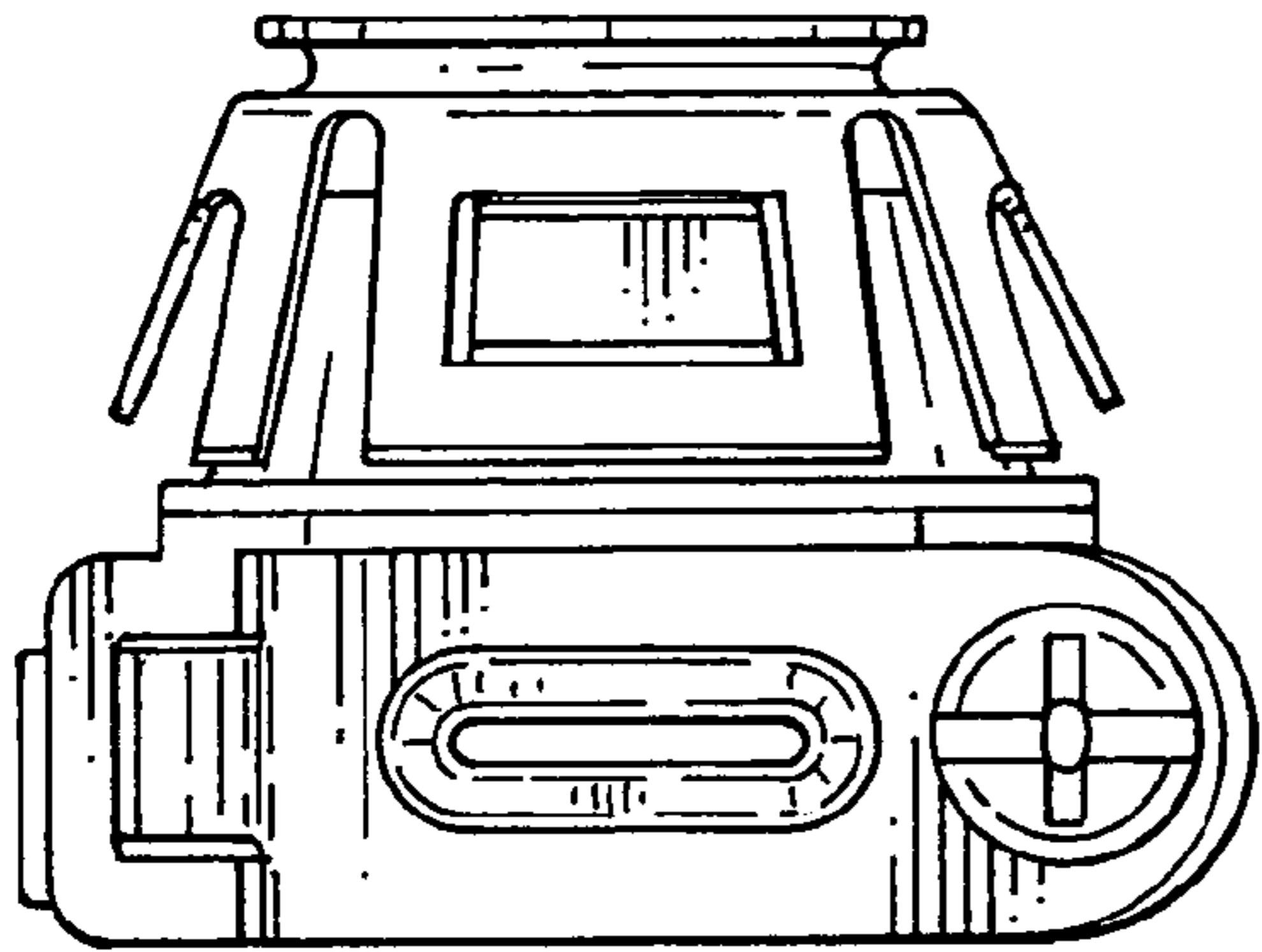
*FIG. 1*



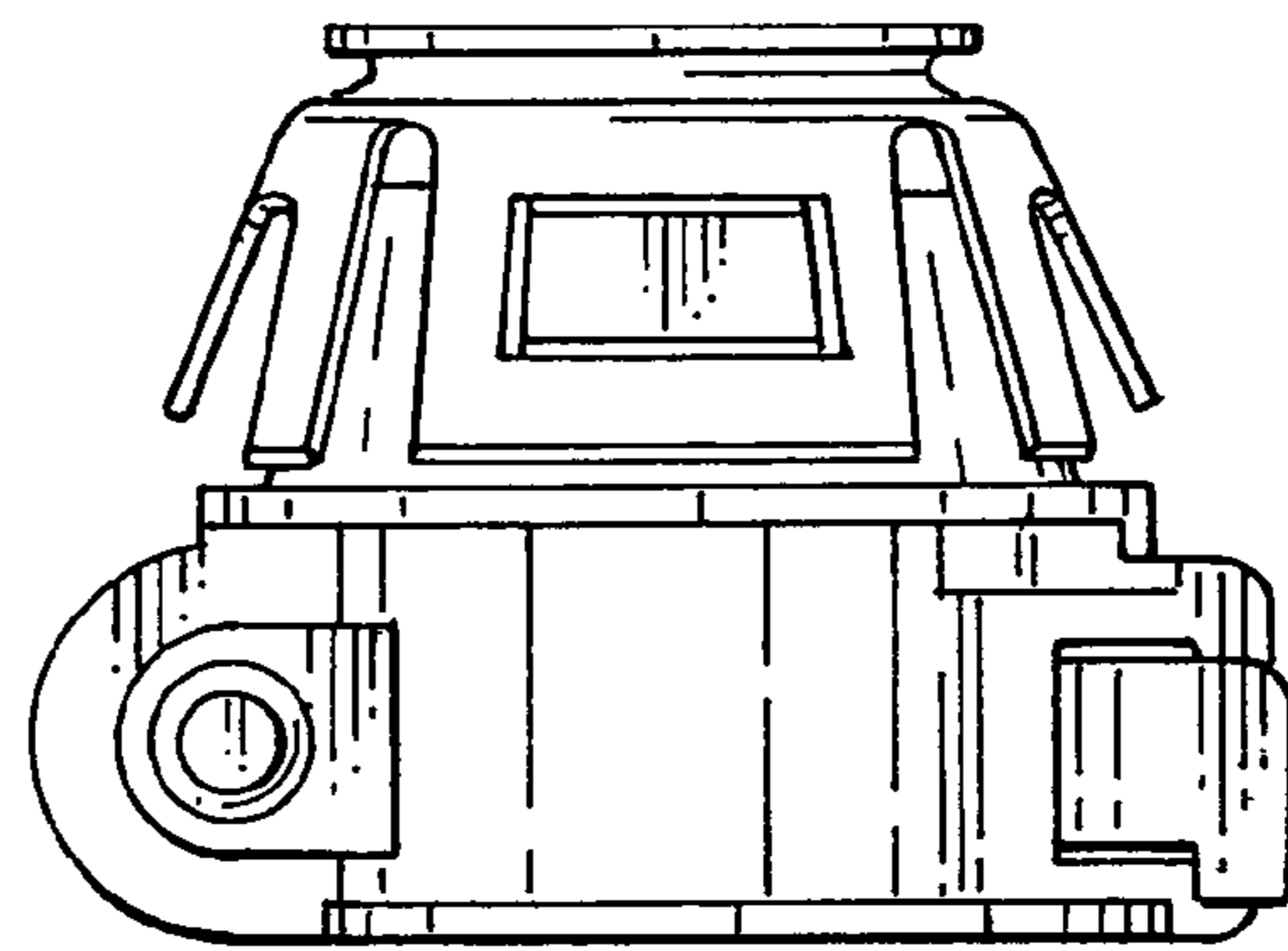
*FIG. 2*



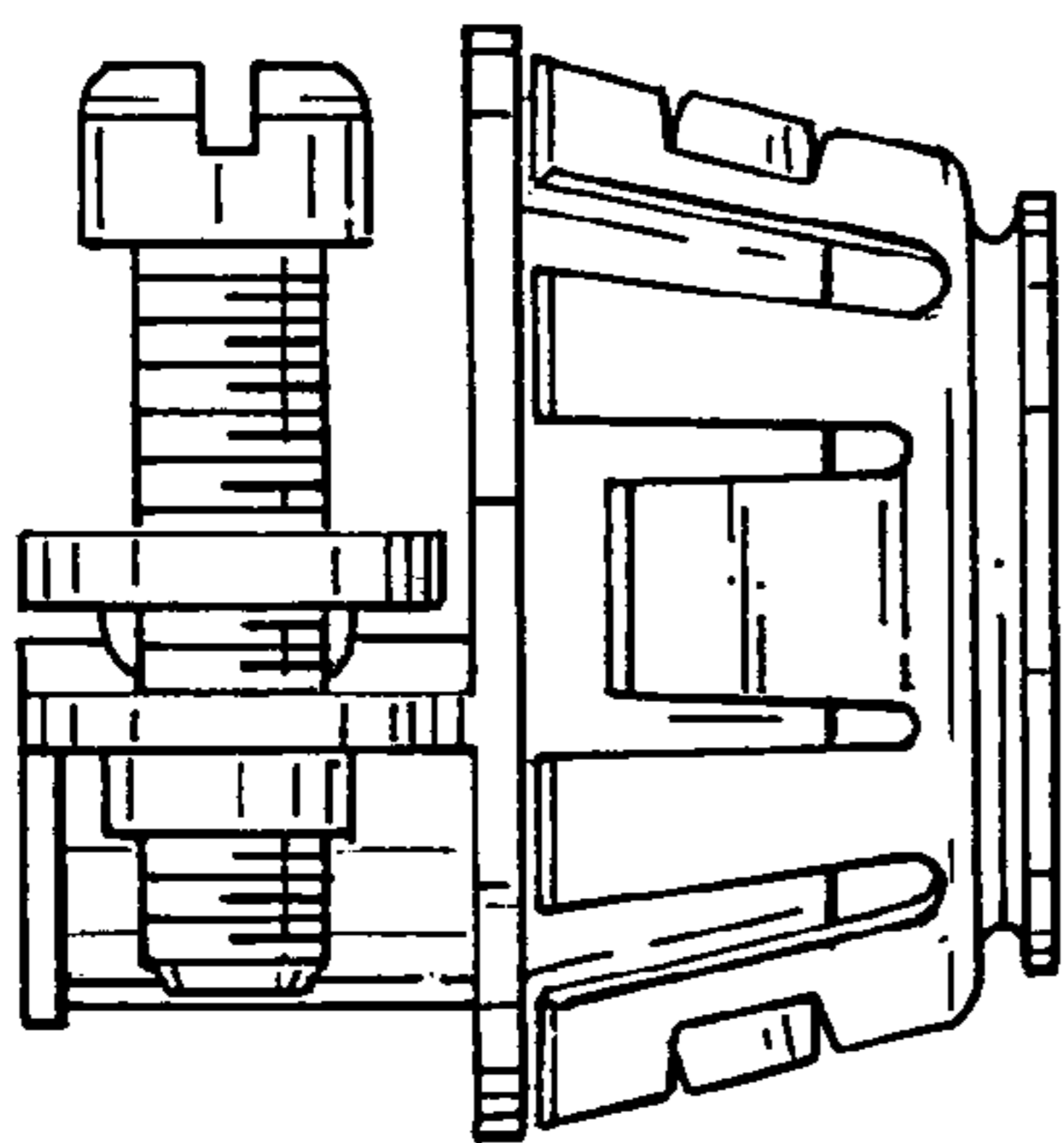
*FIG. 3*



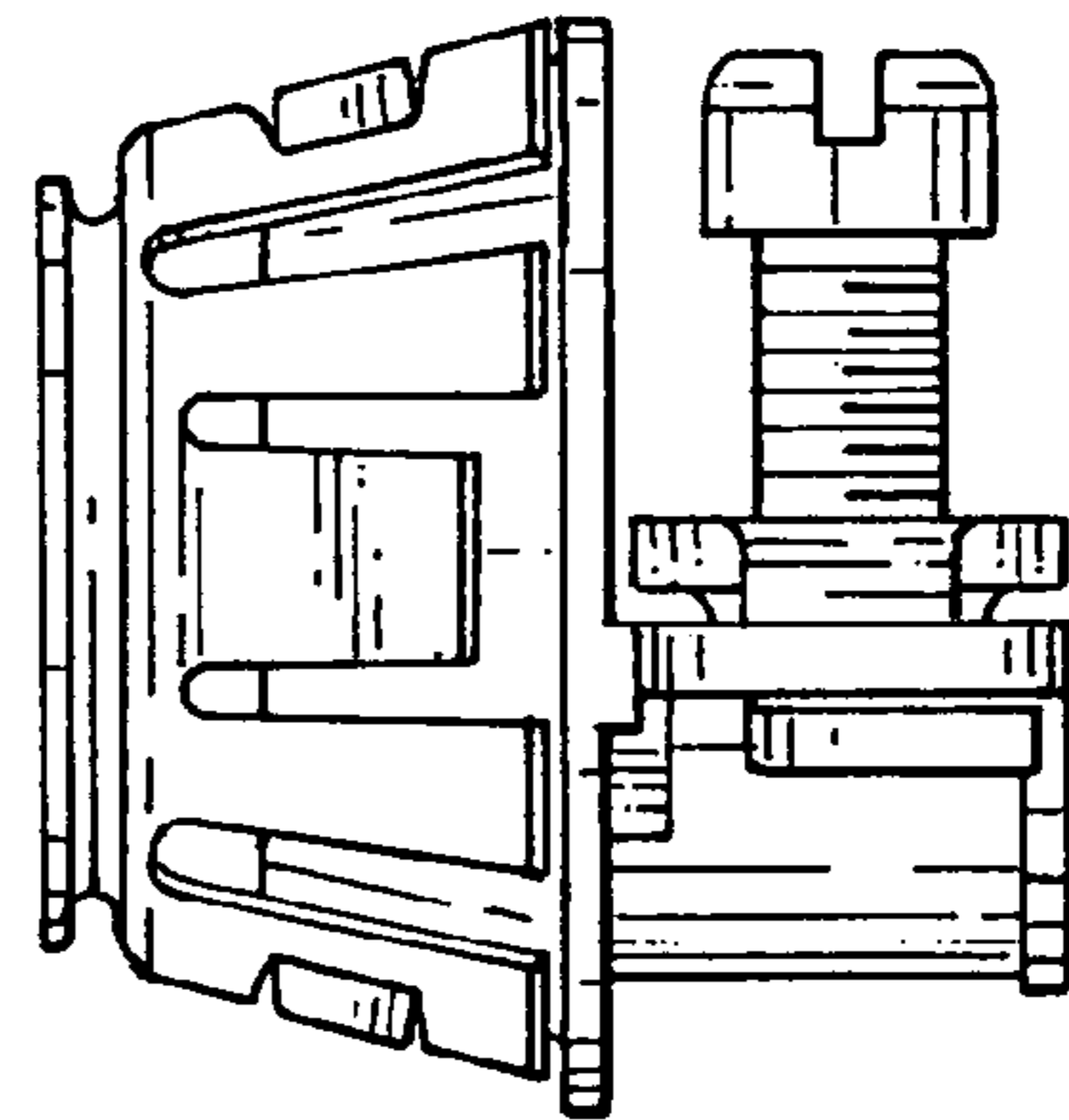
*FIG. 4*



*FIG. 5*



*FIG. 6*



*FIG. 7*