



US00D596577S

(12) **United States Design Patent**  
**Asano et al.**

(10) **Patent No.:** **US D596,577 S**  
(45) **Date of Patent:** **\*\* Jul. 21, 2009**

(54) **OPTICAL CONNECTOR**

(75) Inventors: **Shinichi Asano**, Tama (JP); **Yoshihiro Ishikawa**, Tama (JP); **Tomoe Toyoda**, Tama (JP); **Takao Inoue**, Tama (JP)

(73) Assignee: **Mitsumi Electric Co., Ltd**, Tama-shi (JP)

(\*\*) Term: **14 Years**

(21) Appl. No.: **29/323,016**

(22) Filed: **Aug. 15, 2008**

(30) **Foreign Application Priority Data**

Feb. 15, 2008 (JP) ..... 2008-003377

(51) **LOC (9) Cl.** ..... **13-03**

(52) **U.S. Cl.** ..... **D13/147**

(58) **Field of Classification Search** ..... D13/146-147, D13/154, 184; 439/607-610, 629, 626, 636  
See application file for complete search history.

(56) **References Cited**

**U.S. PATENT DOCUMENTS**

D425,027 S \* 5/2000 Nishio et al. .... D13/147

D427,567 S \* 7/2000 Nishio et al. .... D13/147

D509,192 S \* 9/2005 Chen ..... D13/147  
2008/0311793 A1 \* 12/2008 Zhang et al. .... 439/607

\* cited by examiner

*Primary Examiner*—Daniel D Bui

(74) *Attorney, Agent, or Firm*—Sughrue Mion, PLLC

(57) **CLAIM**

The ornamental design for an optical connector, as shown and described.

**DESCRIPTION**

FIG. 1 is a top, front and left side perspective view of an optical connector, showing our new design;

FIG. 2 is a front elevation view thereof;

FIG. 3 is a rear elevation view thereof;

FIG. 4 is a right side elevation view thereof;

FIG. 5 is a left side elevation view thereof;

FIG. 6 is a top plan view thereof; and,

FIG. 7 is a bottom plan view thereof.

The broken line portion of the figure drawings is included to show unclaimed subject matter only and forms no part of the claimed design.

**1 Claim, 5 Drawing Sheets**

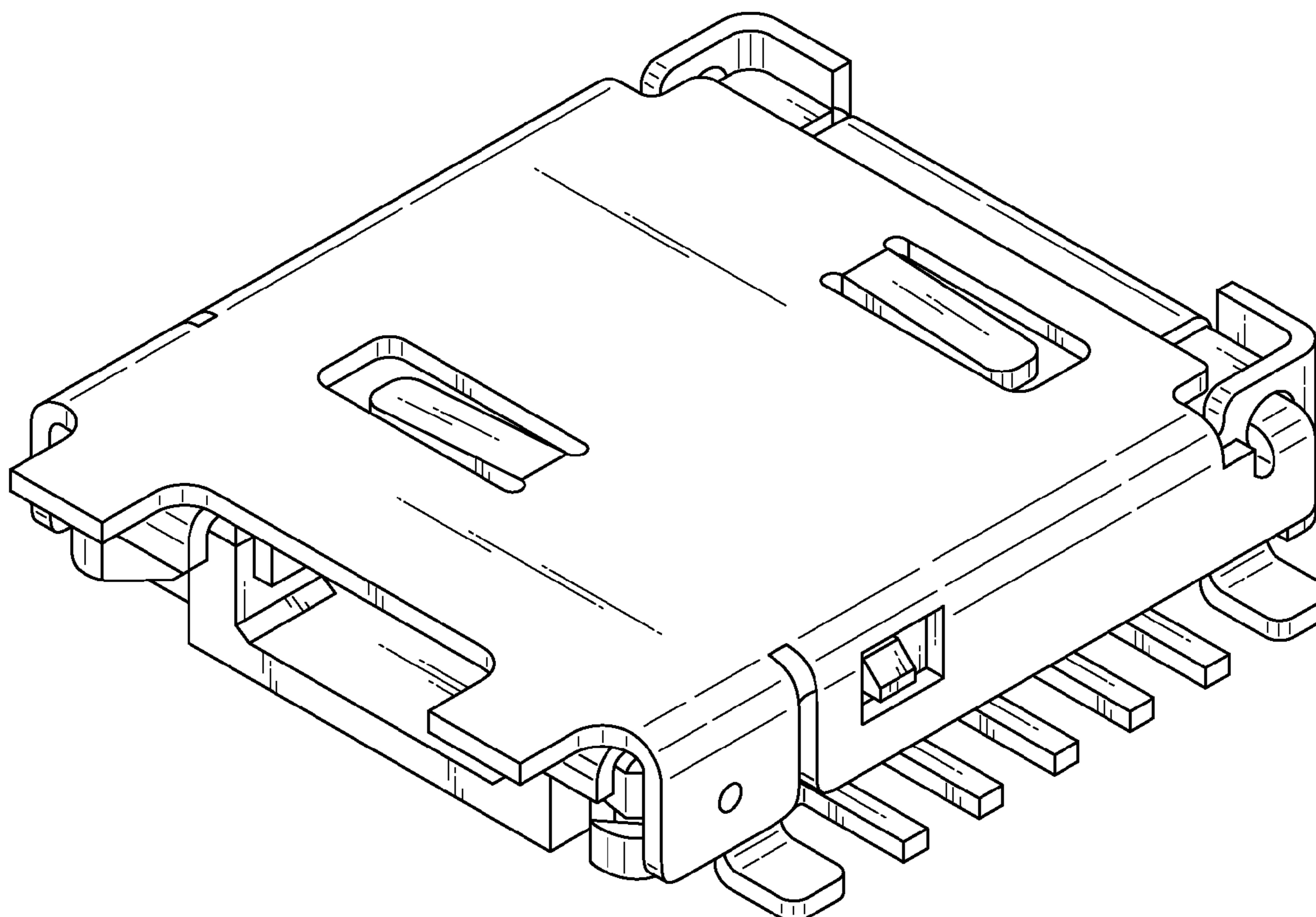


FIG. 1

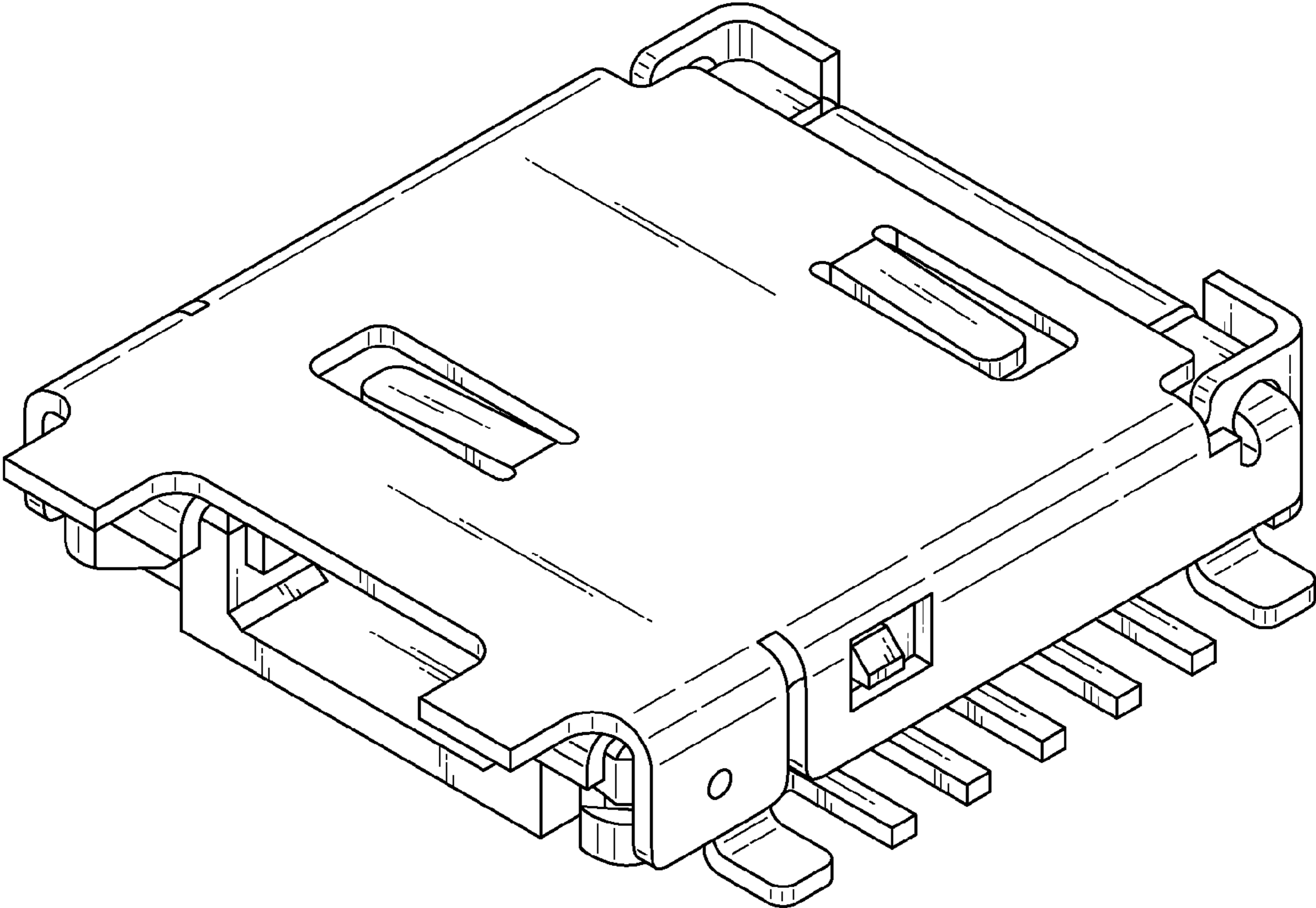


FIG.2



FIG.3

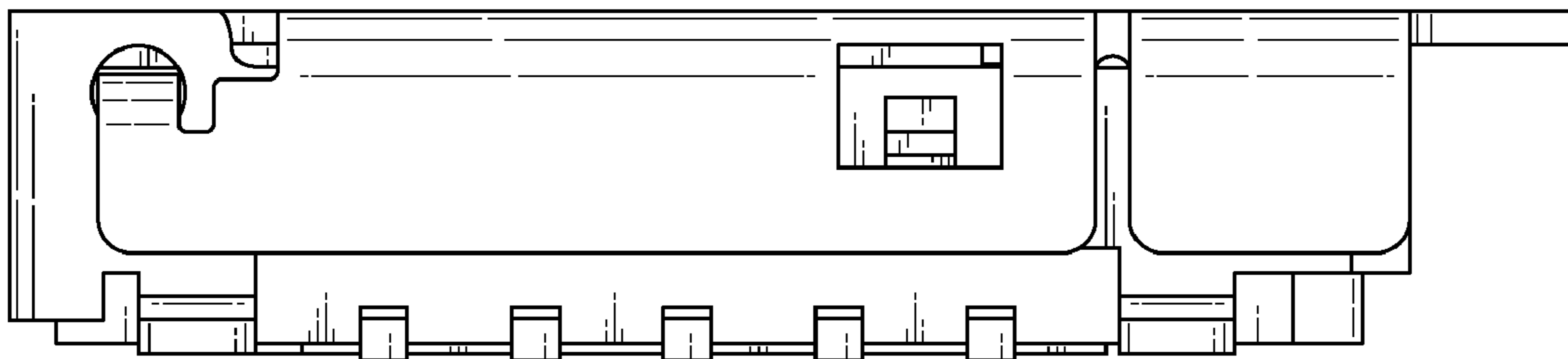


FIG.4

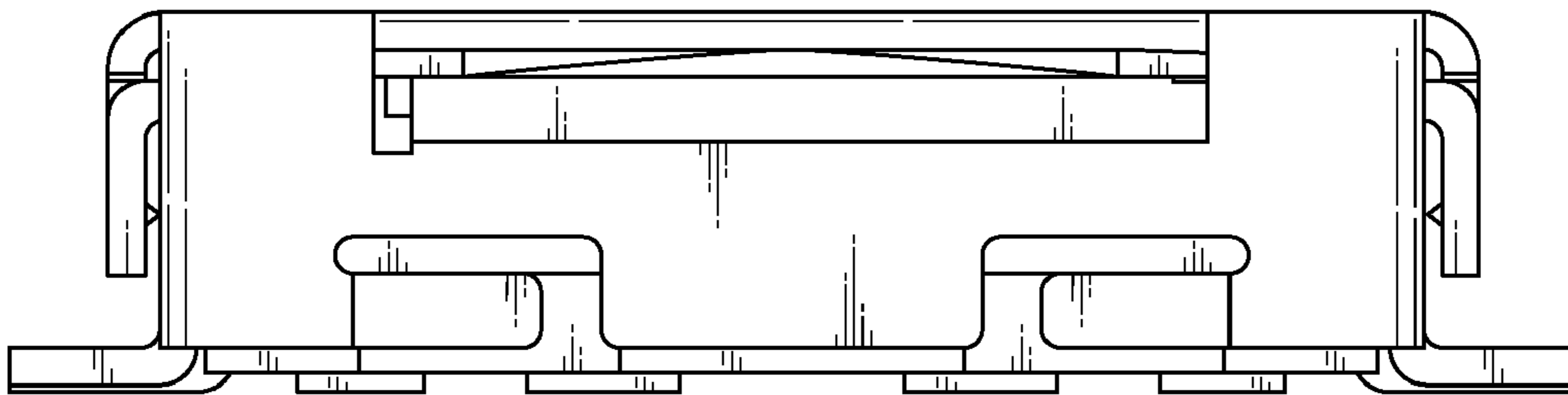


FIG.5

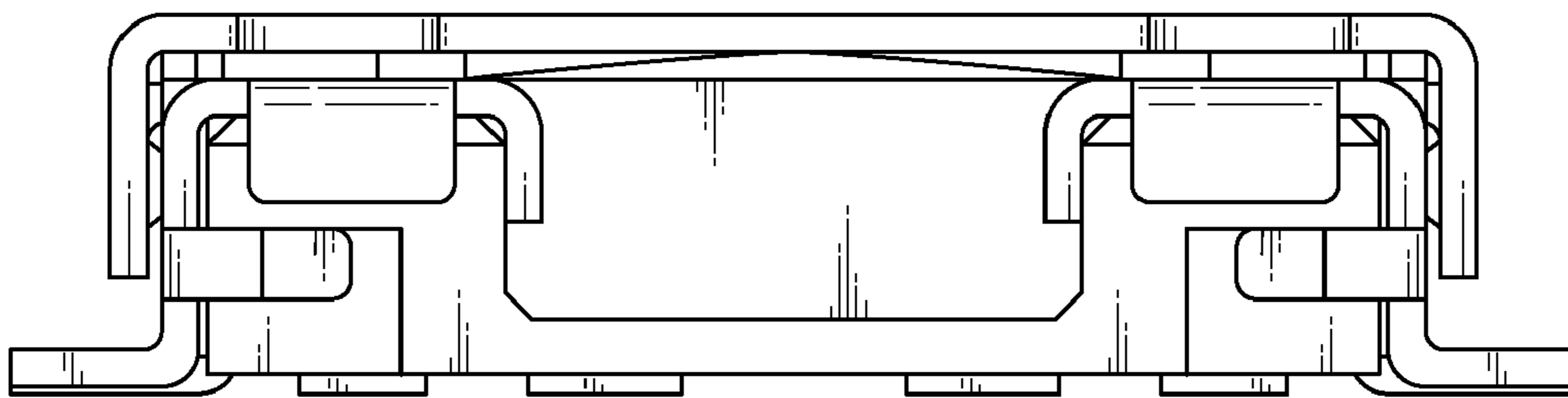


FIG.6

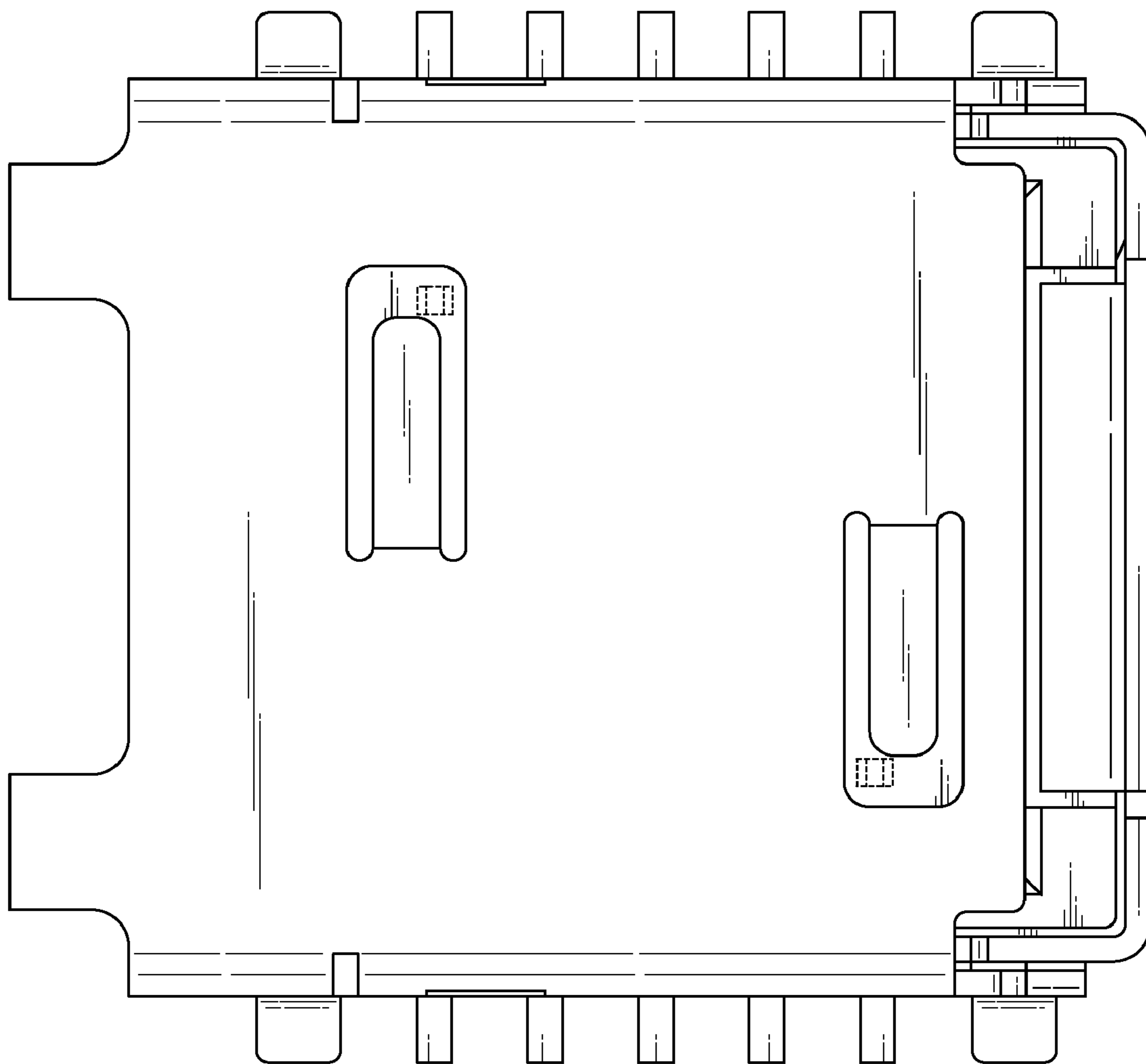


FIG.7

