



US00D596576S

(12) **United States Design Patent**
Zhu

(10) **Patent No.:** **US D596,576 S**
(45) **Date of Patent:** **** Jul. 21, 2009**

(54) **ELECTRICAL CONNECTOR**

(75) Inventor: **Yu Zhu**, ShenZhen (CN)

(73) Assignee: **Hon Hai Precision Ind. Co., Ltd.**,
Taipei Hsien (TW)

(**) Term: **14 Years**

(21) Appl. No.: **29/312,456**

(22) Filed: **Oct. 21, 2008**

(30) **Foreign Application Priority Data**

Apr. 21, 2008 (CN) 2008 3 0028509

(51) **LOC (9) Cl.** **13-03**

(52) **U.S. Cl.** **D13/147**

(58) **Field of Classification Search** D13/147,
D13/154, 184; 439/101, 189, 567, 571, 607-610,
439/680, 701

See application file for complete search history.

(56) **References Cited**

U.S. PATENT DOCUMENTS

D498,210 S * 11/2004 Zhang D13/147

D543,152 S * 5/2007 Sato et al. D13/147

D544,445 S * 6/2007 Sato et al. D13/147
D563,876 S * 3/2008 Masubuchi et al. D13/147

* cited by examiner

Primary Examiner—Daniel D Bui

(74) *Attorney, Agent, or Firm*—Wei Te Chung

(57) **CLAIM**

The ornamental design for an electrical connector, as shown.

DESCRIPTION

FIG. 1 is a front, top and right side perspective view of an electrical connector showing an embodiment of my new design;

FIG. 2 is a front elevational view thereof;

FIG. 3 is a rear elevational view thereof;

FIG. 4 is a left side elevational view thereof;

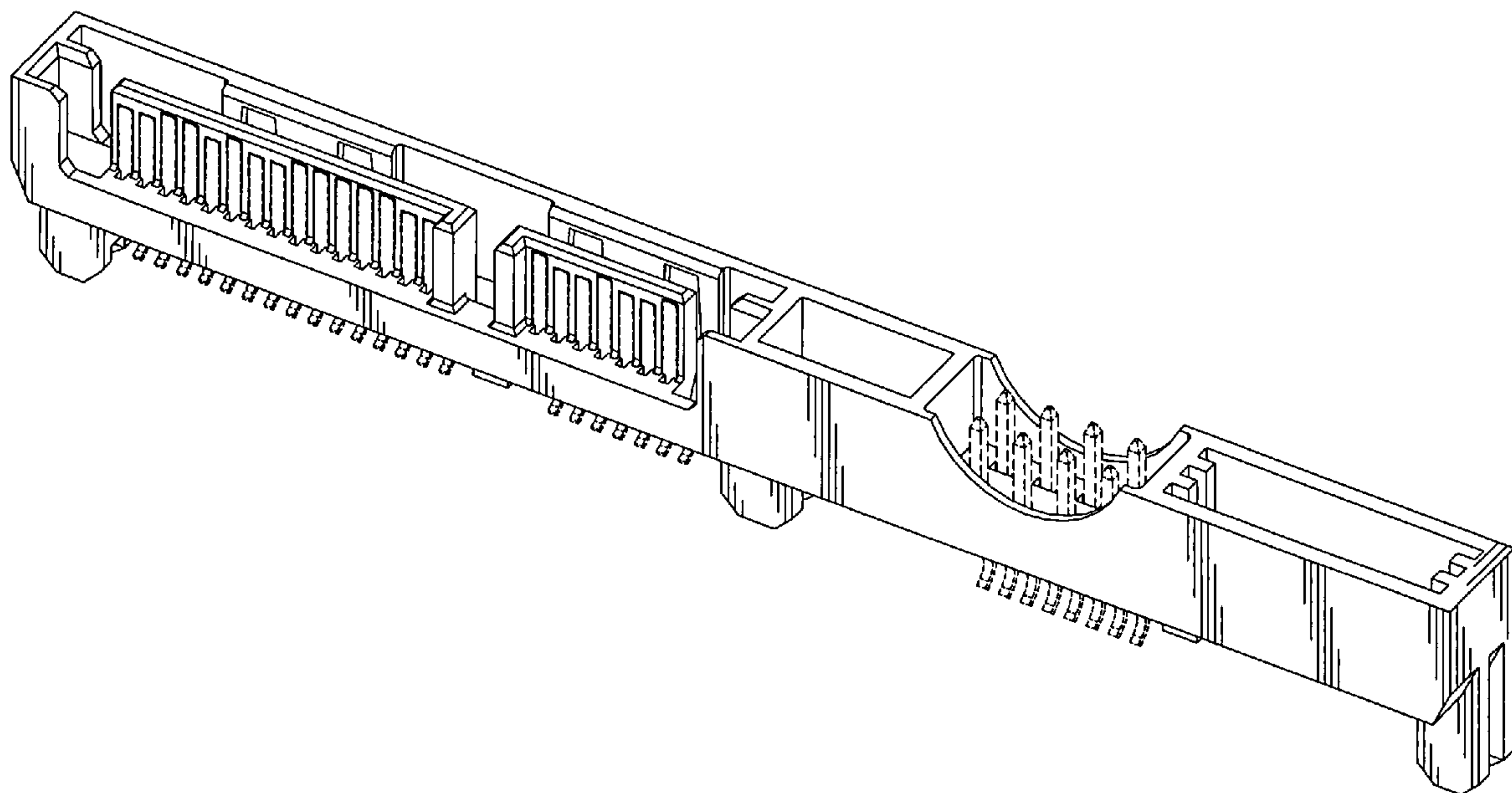
FIG. 5 is a right side elevational view thereof;

FIG. 6 is a top plan view thereof; and,

FIG. 7 is a bottom plan view thereof.

The broken line portion in FIGS. 6 and 7 drawing view is included to show unclaimed subject matter only and forms no part of the claimed design.

1 Claim, 6 Drawing Sheets



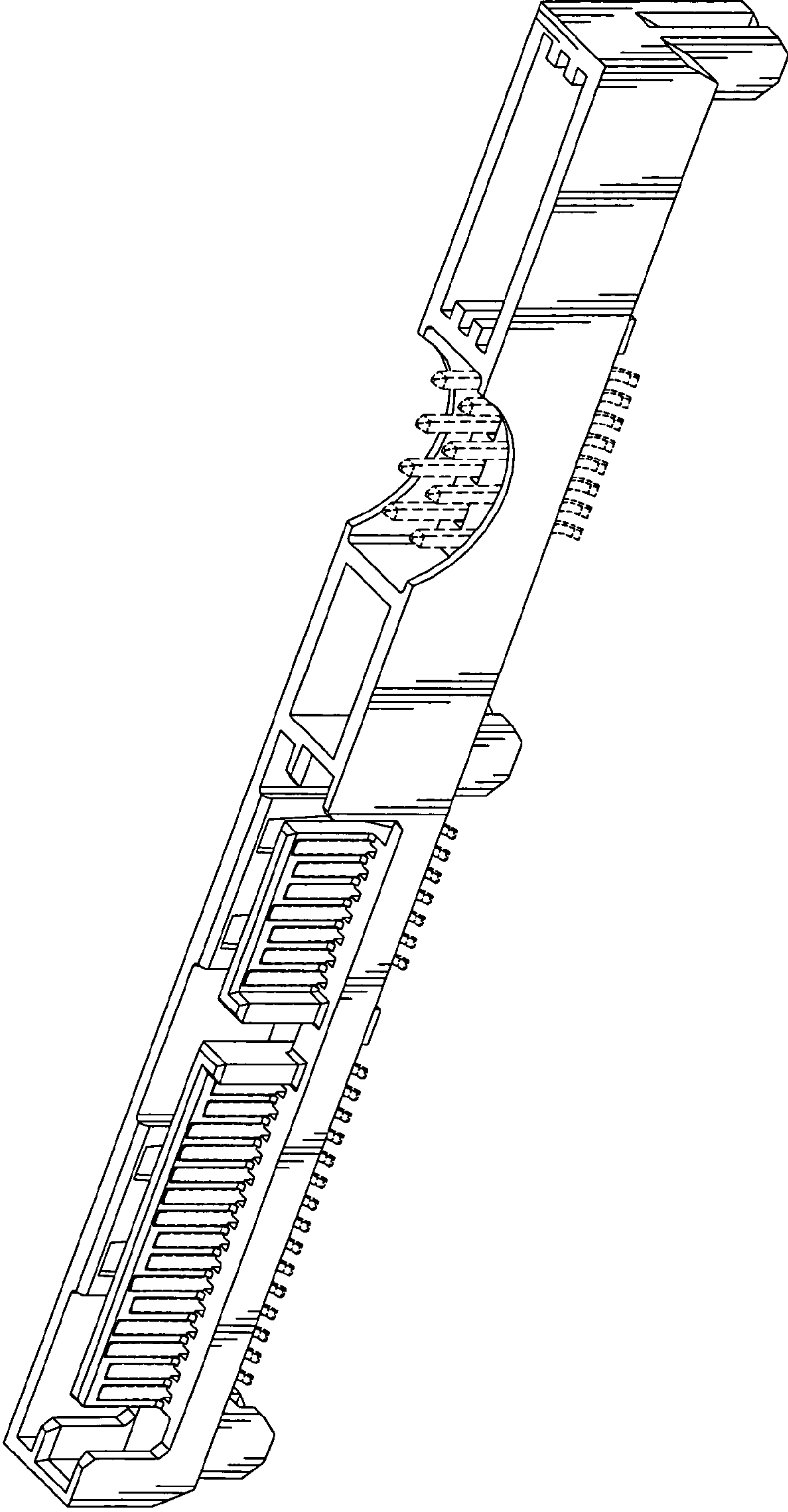


FIG. 1

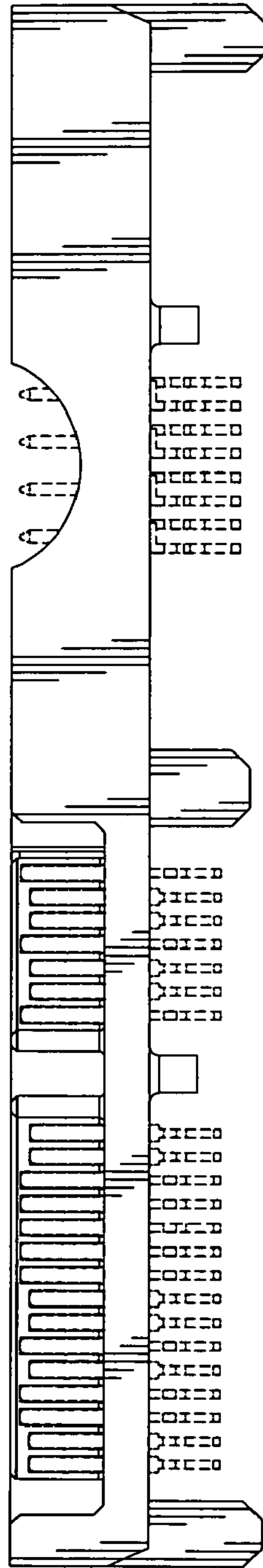


FIG. 2

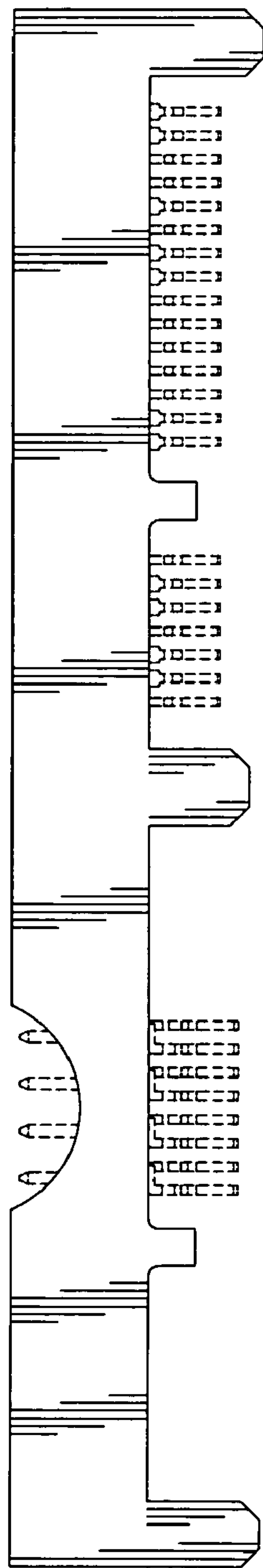


FIG. 3

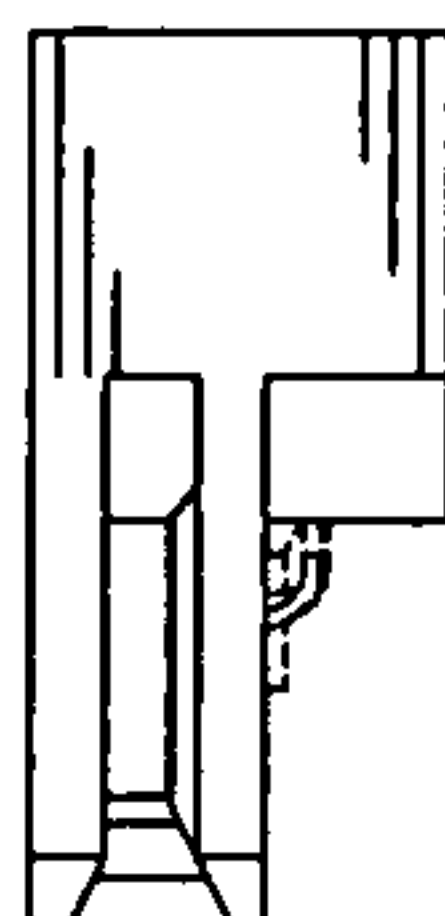


FIG. 4

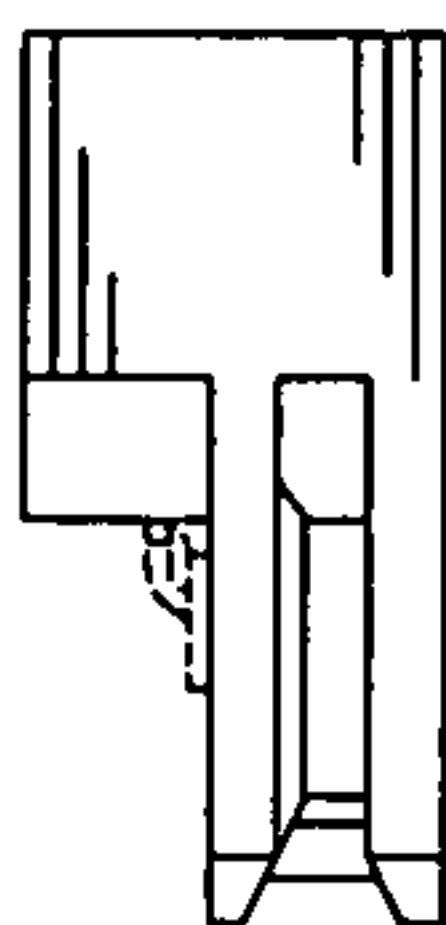


FIG. 5

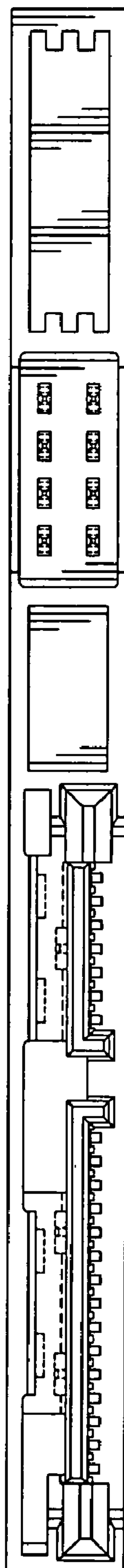


FIG. 6

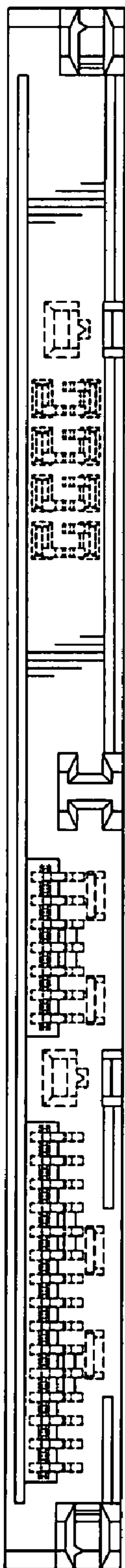


FIG. 7