



US00D596575S

(12) **United States Design Patent**  
**Chen et al.**

(10) **Patent No.:** **US D596,575 S**

(45) **Date of Patent:** **\*\* Jul. 21, 2009**

(54) **CONNECTOR**

(75) Inventors: **Chung Yu Chen**, Tu-Cheng (TW);  
**Sheng Nan Yu**, Tu-Cheng (TW)

(73) Assignee: **Cheng Uei Precision Industry Co., Ltd.**, Taipei Hsien (TW)

(\*\*) Term: **14 Years**

(21) Appl. No.: **29/309,591**

(22) Filed: **Sep. 9, 2008**

(51) **LOC (9) Cl.** ..... **13-03**

(52) **U.S. Cl.** ..... **D13/147**

(58) **Field of Classification Search** ..... D13/147,  
D13/154, 184; 439/397, 399, 400, 404, 460,  
439/577, 607-610, 660, 680

See application file for complete search history.

(56) **References Cited**

**U.S. PATENT DOCUMENTS**

D452,678 S \* 1/2002 Hiramoto et al. .... D13/147

D507,238 S \* 7/2005 Stadler ..... D13/147

D529,443 S \* 10/2006 Chien ..... D13/147

D557,212 S \* 12/2007 Huang et al. .... D13/120

D584,237 S \* 1/2009 Zhu ..... D13/154

\* cited by examiner

*Primary Examiner*—Daniel D Bui

(74) *Attorney, Agent, or Firm*—Rosenberg, Klein & Lee

(57) **CLAIM**

The ornamental design for a connector, as shown and described.

**DESCRIPTION**

FIG. 1 is a perspective view of a connector showing our new design;

FIG. 2 is a front elevational view thereof;

FIG. 3 is a rear elevational view thereof;

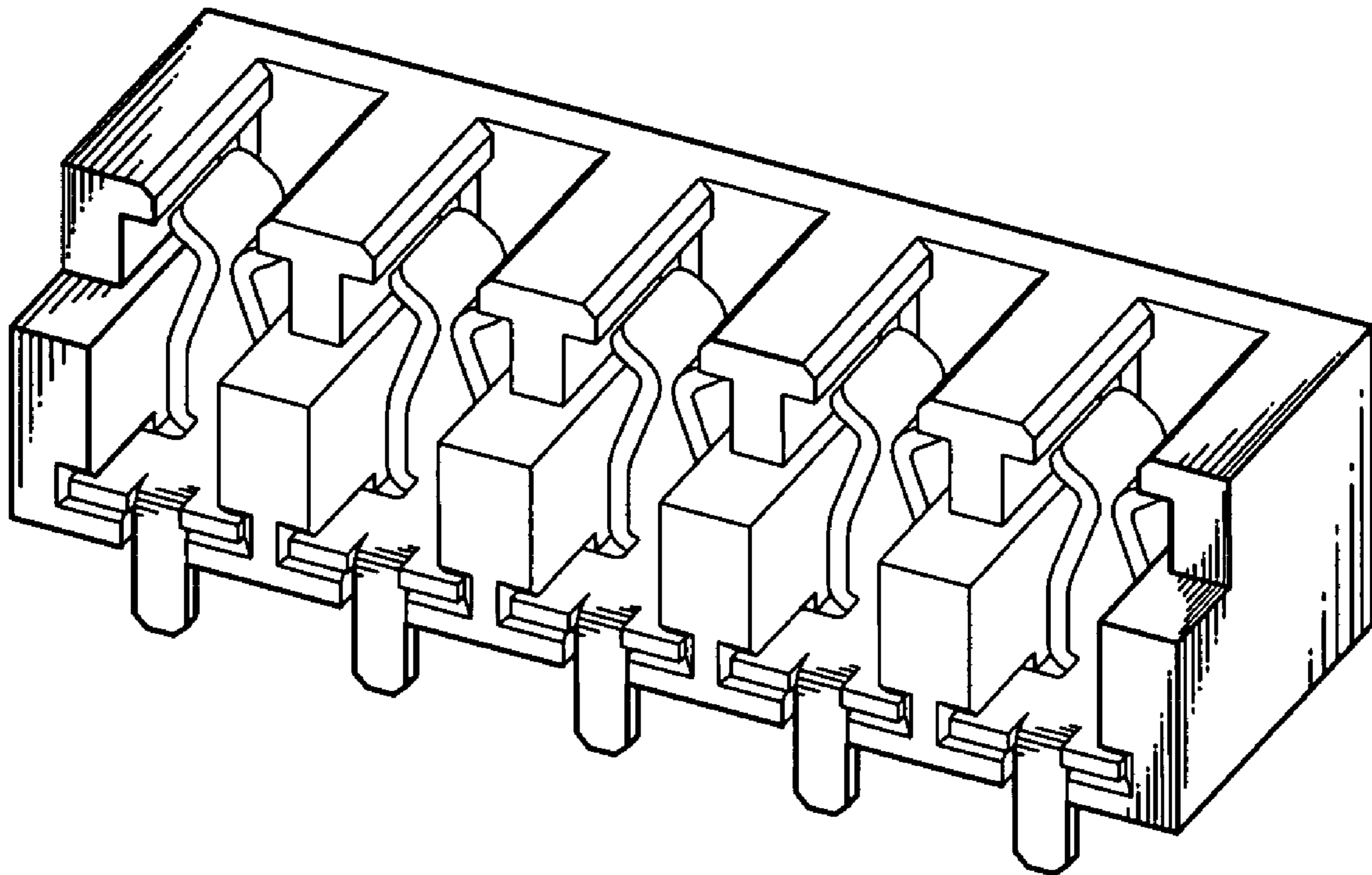
FIG. 4 is a left side elevational view thereof;

FIG. 5 is a right side elevational view thereof;

FIG. 6 is a top plan view thereof; and,

FIG. 7 is a bottom plan view thereof.

**1 Claim, 7 Drawing Sheets**



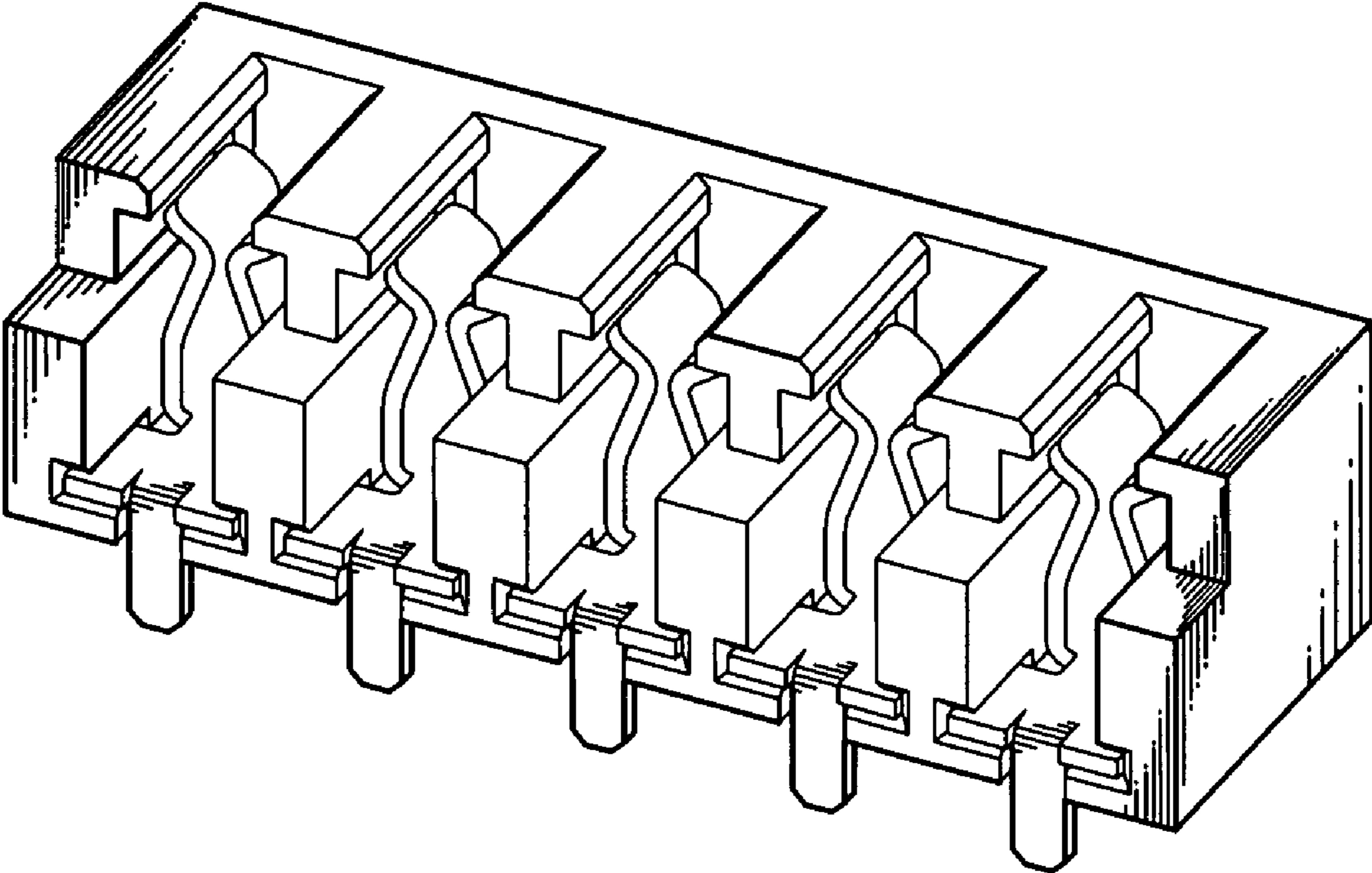


FIG. 1

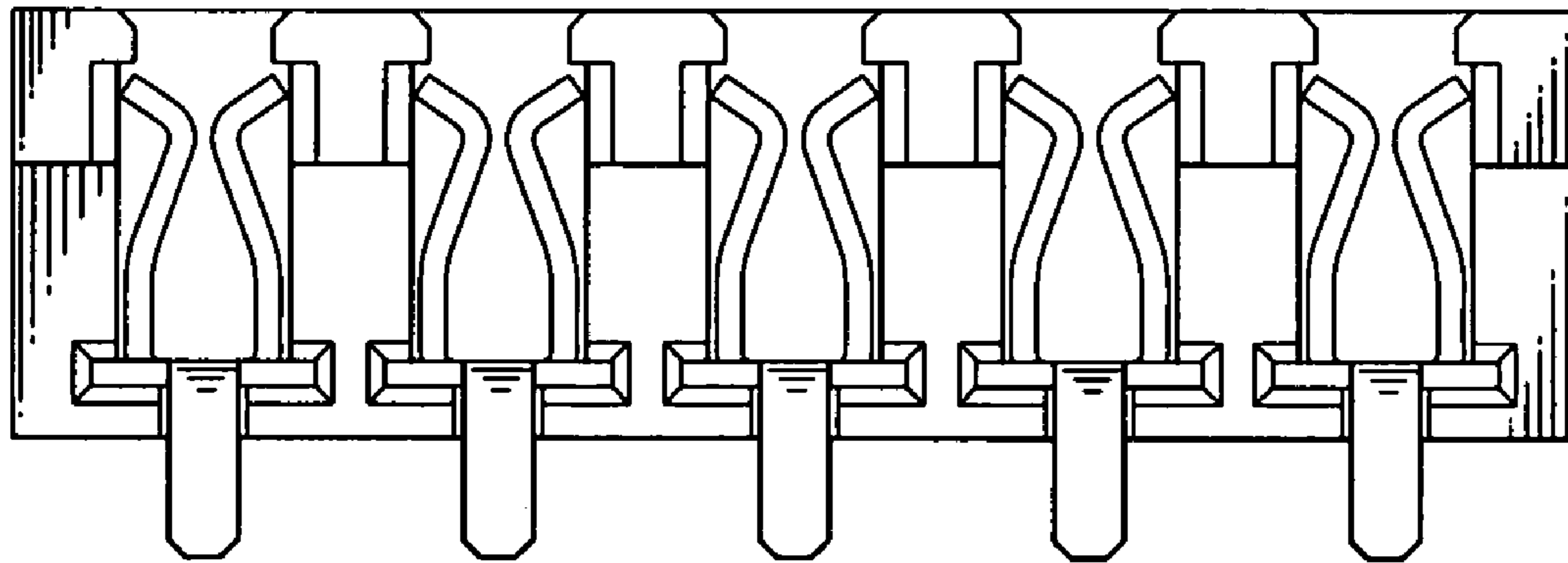


FIG. 2

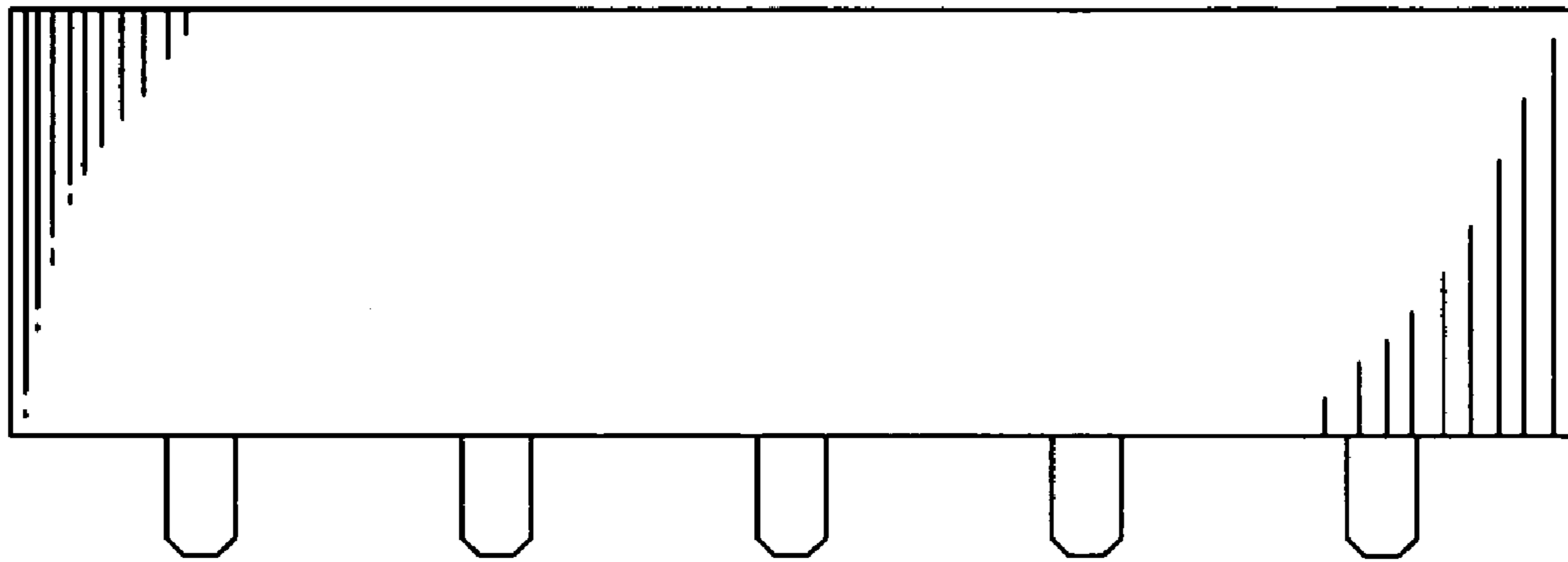


FIG. 3

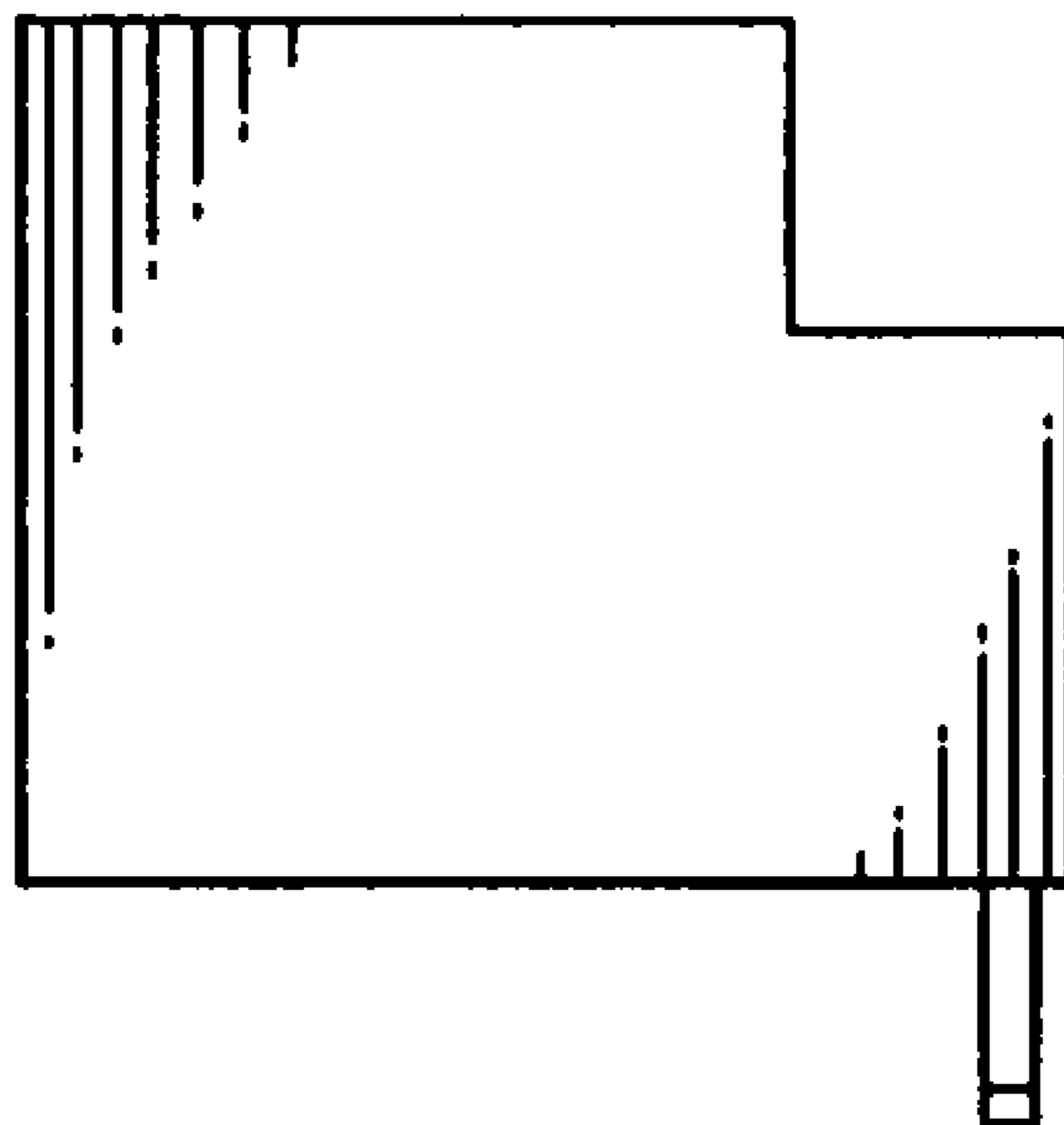


FIG. 4

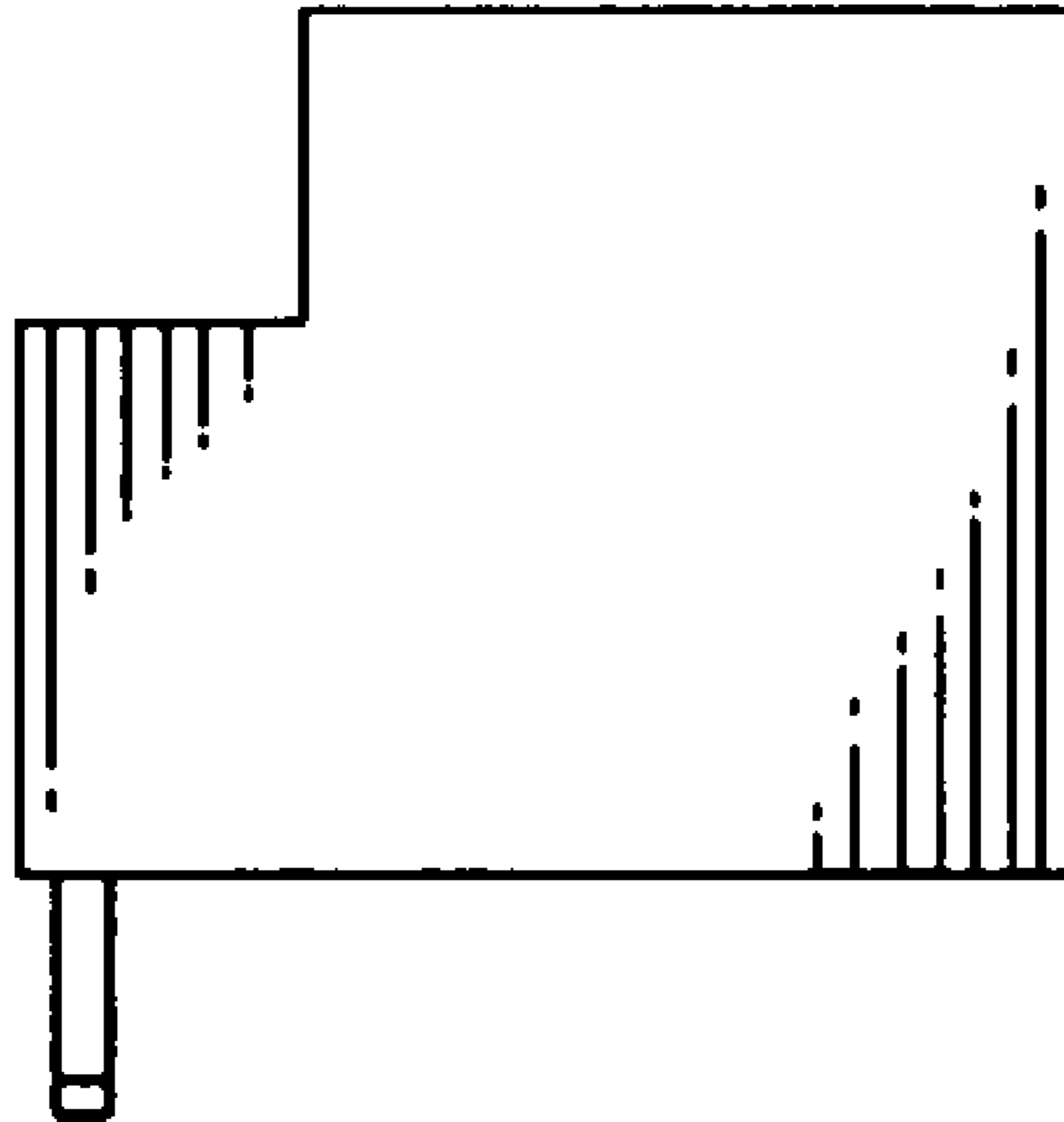


FIG. 5

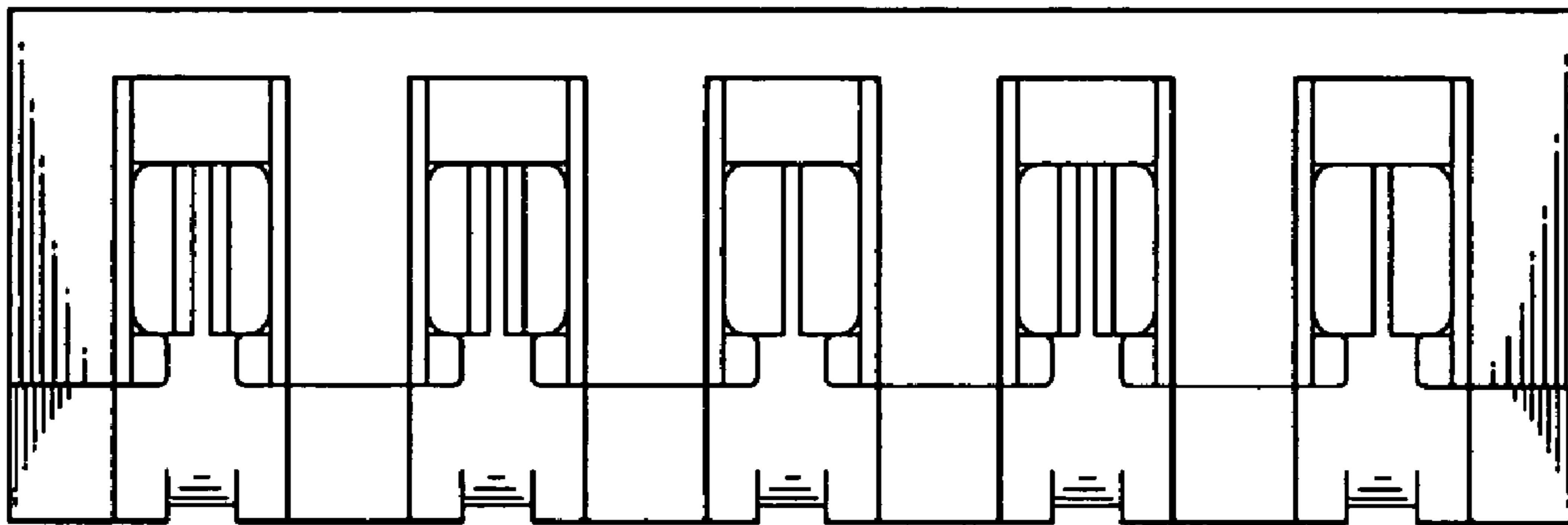


FIG. 6

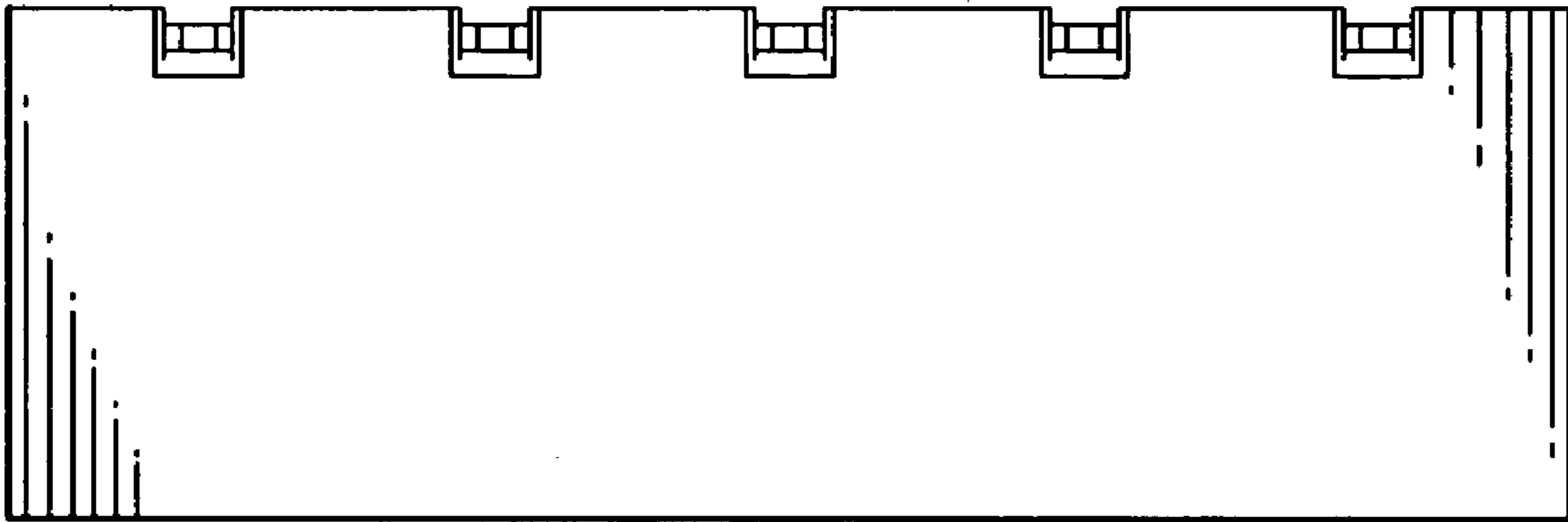


FIG. 7