



US00D596574S

(12) **United States Design Patent**
Huang

(10) **Patent No.:** **US D596,574 S**

(45) **Date of Patent:** **** Jul. 21, 2009**

(54) **CONNECTOR**

D530,283 S * 10/2006 Kuo D13/147

(76) Inventor: **Kui-Hsien Huang**, 10F-1, No. 452, Sec. 5, Cheng Kung Rd., Nei Hu District, Taipei City (TW)

* cited by examiner

Primary Examiner—Daniel D Bui

(74) *Attorney, Agent, or Firm*—Leong C. Lei

(**) Term: **14 Years**

(57) **CLAIM**

(21) Appl. No.: **29/304,585**

The ornamental design for a connector, as shown and described.

(22) Filed: **Mar. 5, 2008**

DESCRIPTION

(51) **LOC (9) Cl.** **13-03**

FIG. 1 is a perspective view of a connector showing my new design;

(52) **U.S. Cl.** **D13/147**

FIG. 2 is a front elevational view thereof;

(58) **Field of Classification Search** D13/133,
D13/146–147, 154, 184; 439/352, 359, 362,
439/607–610, 677, 680–681

FIG. 3 is a rear elevational view thereof;

See application file for complete search history.

FIG. 4 is a left side elevational view thereof;

FIG. 5 is a right side elevational view thereof;

(56) **References Cited**

FIG. 6 is a top plan view thereof; and,

U.S. PATENT DOCUMENTS

FIG. 7 is a bottom plan view thereof.

D427,565 S * 7/2000 Lok D13/147

The portions shown in broken lines form no part of the claimed design.

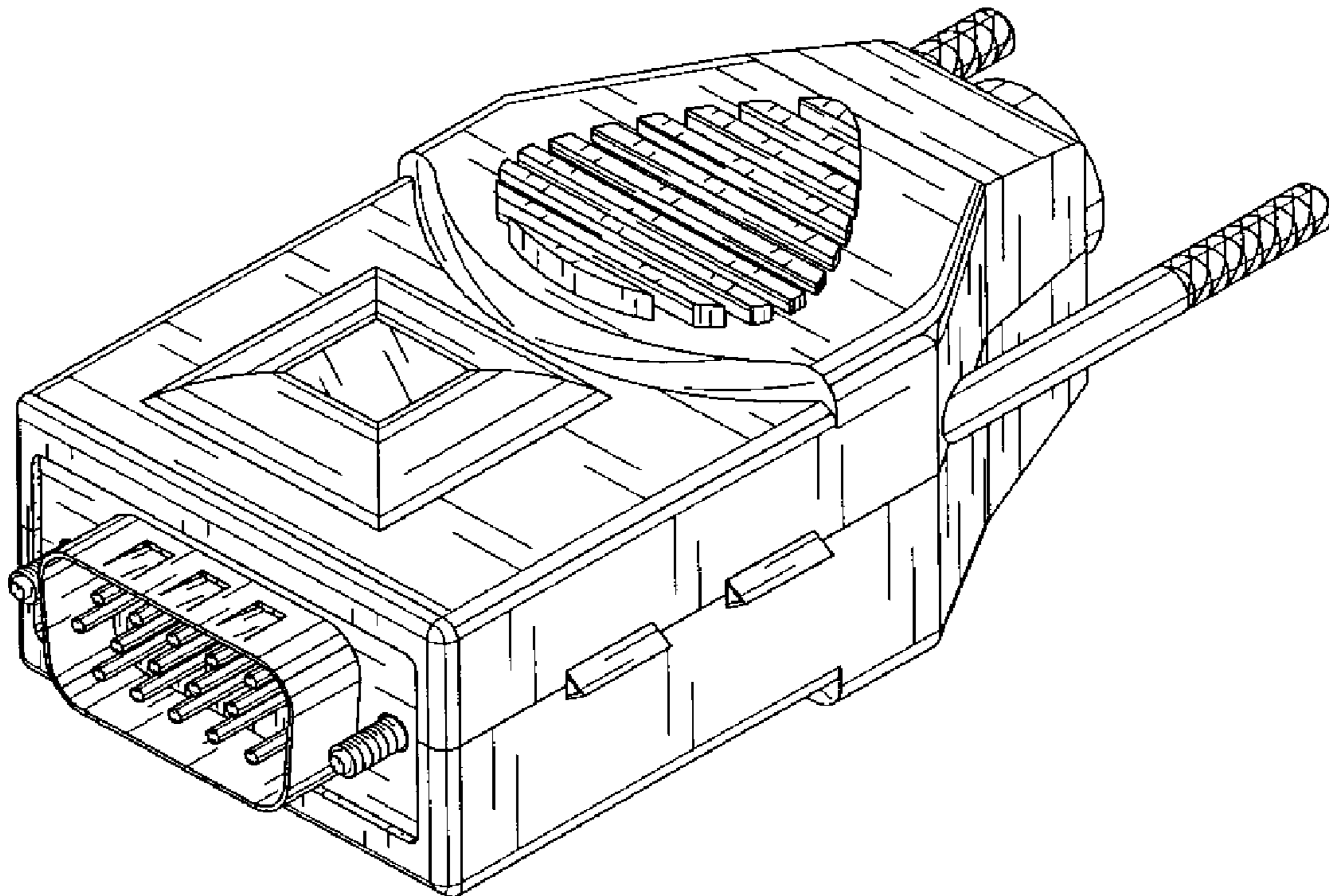
D440,205 S * 4/2001 Lord D13/147

D451,476 S * 12/2001 Wang et al. D13/147

D468,266 S * 1/2003 Huang D13/147

D515,508 S * 2/2006 Lee D13/147

1 Claim, 7 Drawing Sheets



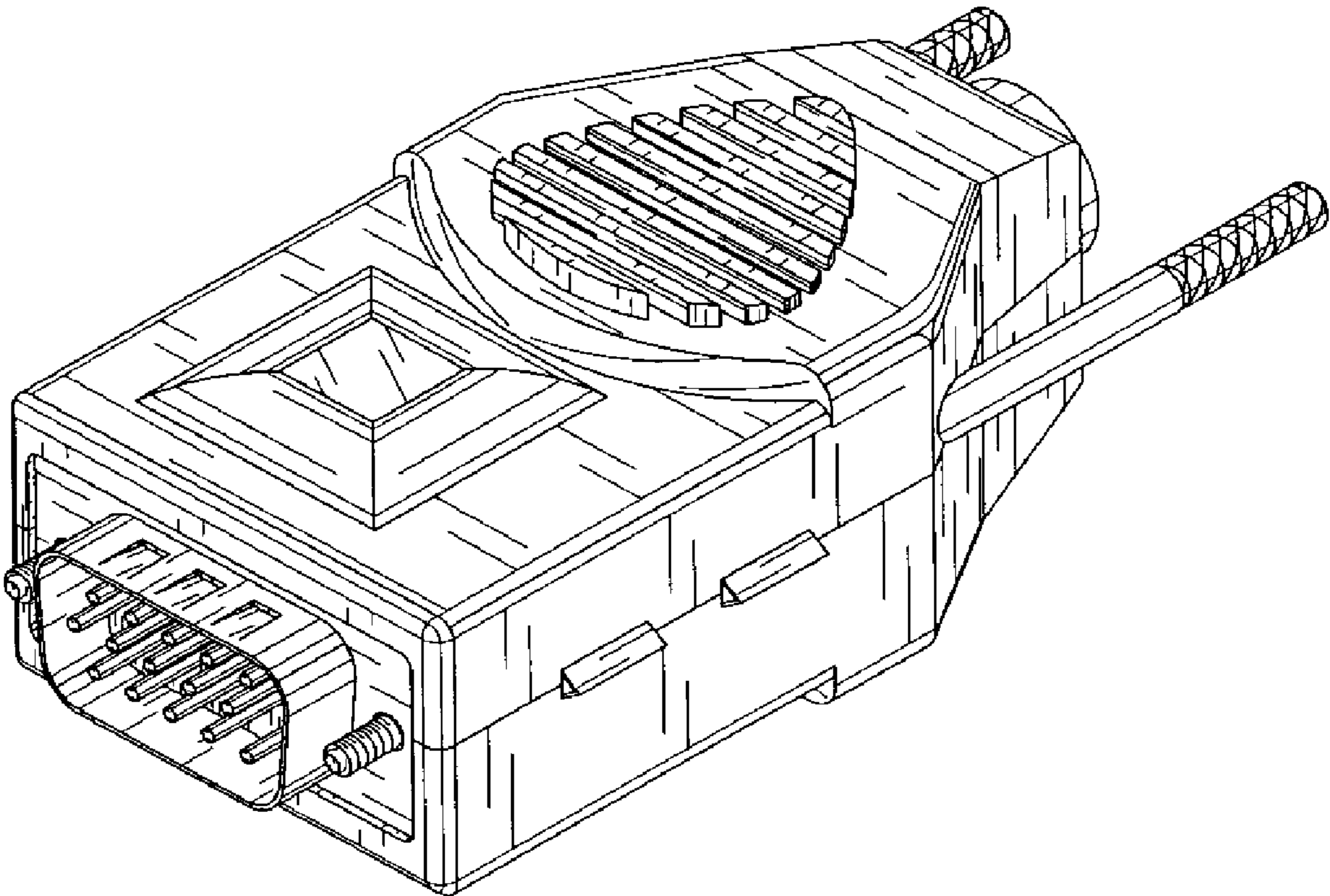


FIG. 1

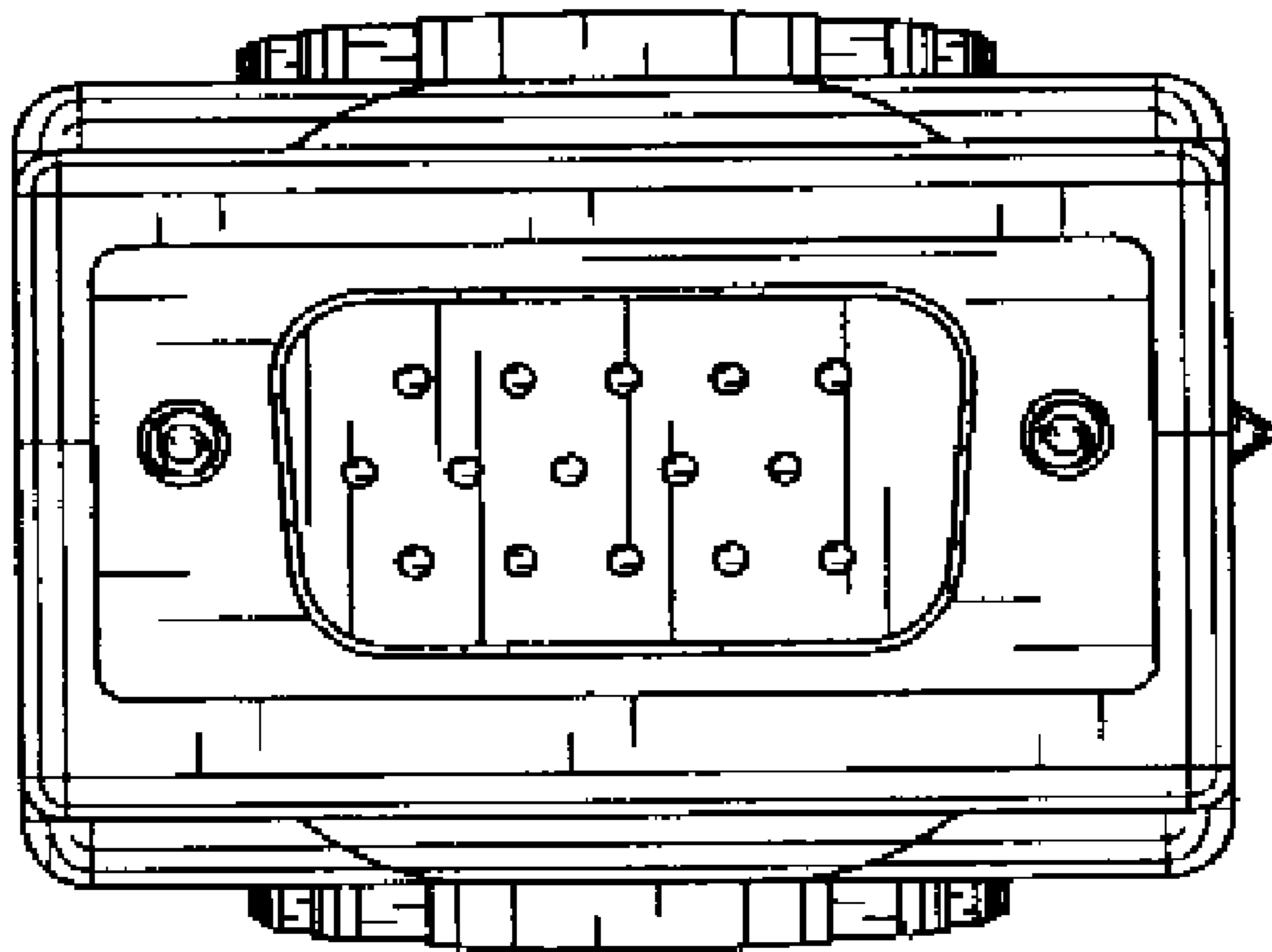


FIG. 2

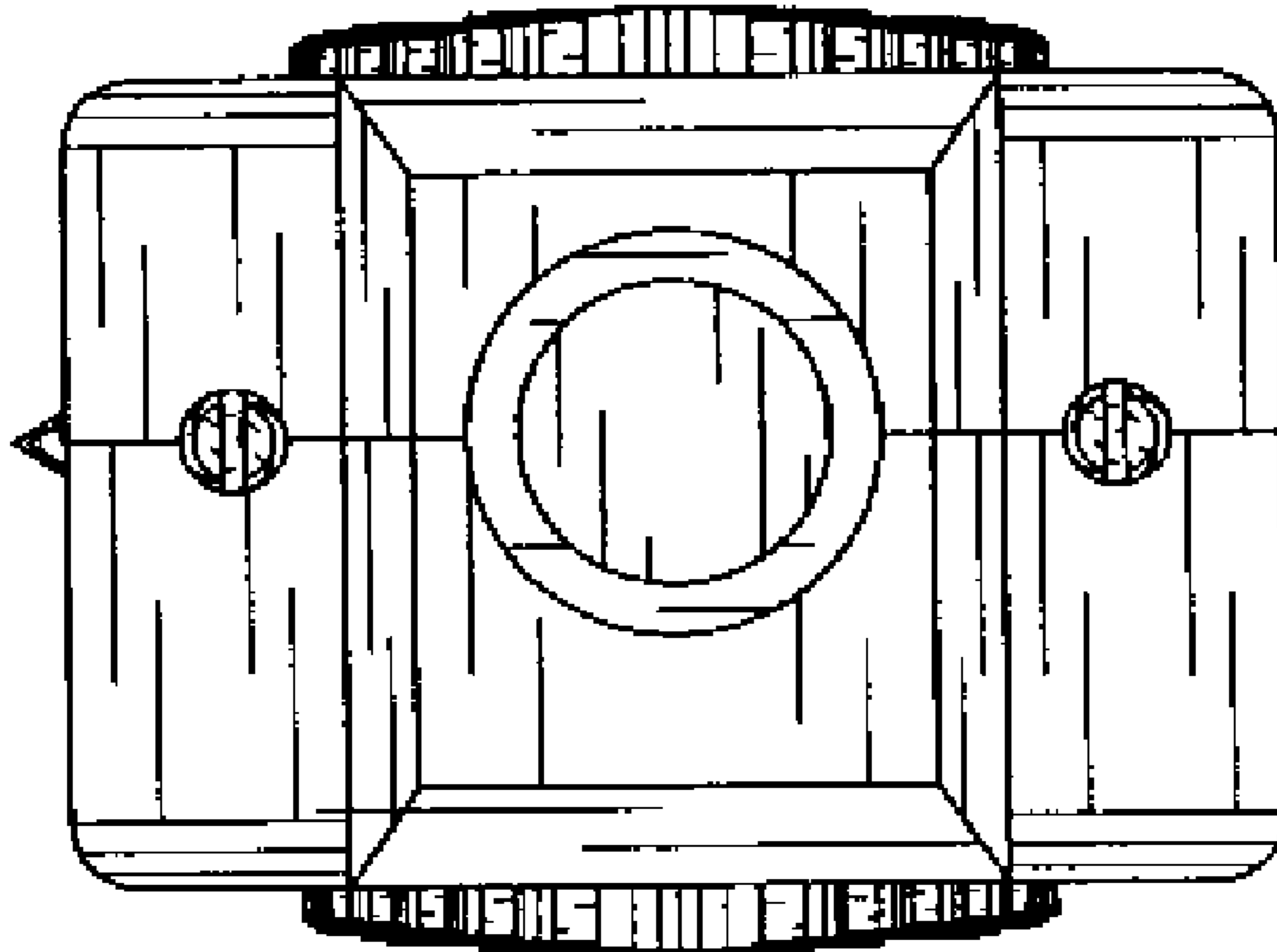


FIG. 3

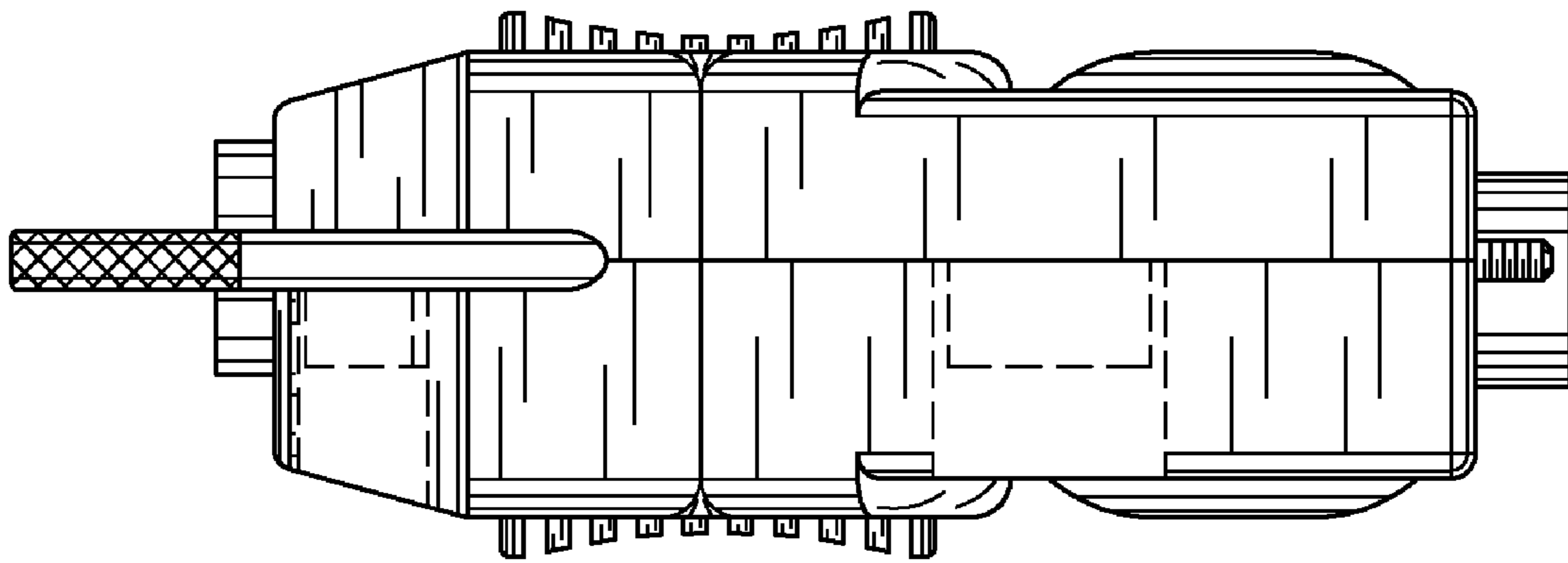


FIG. 4

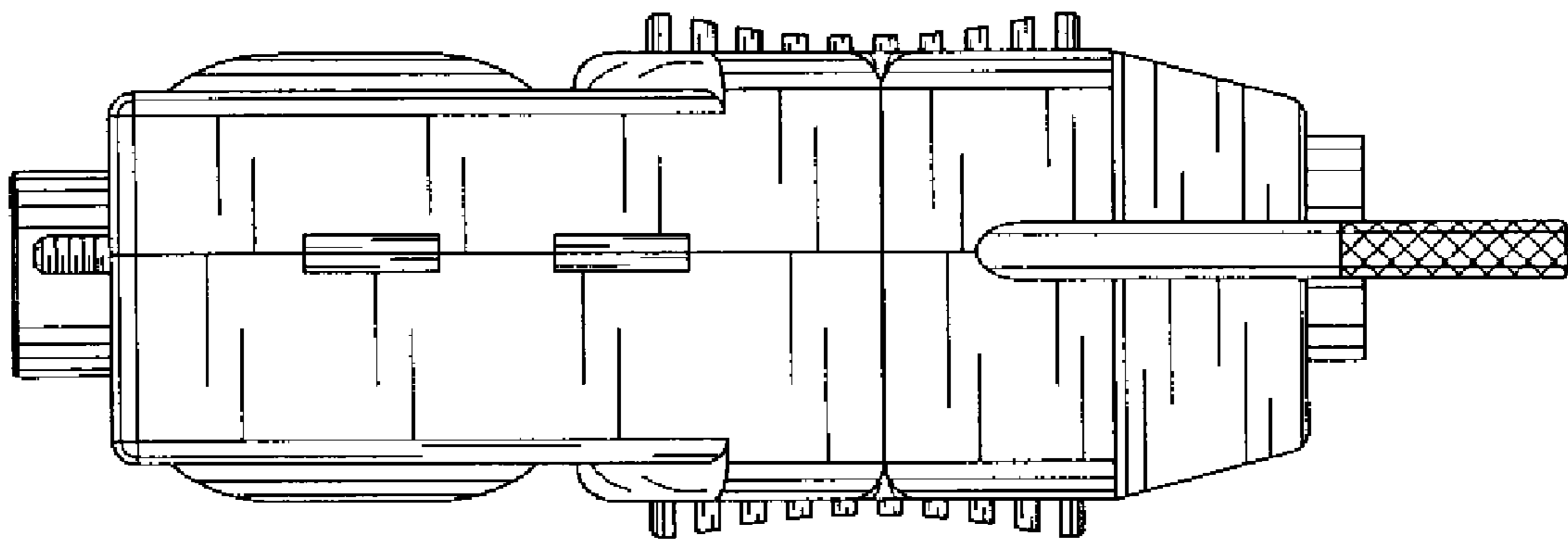


FIG. 5

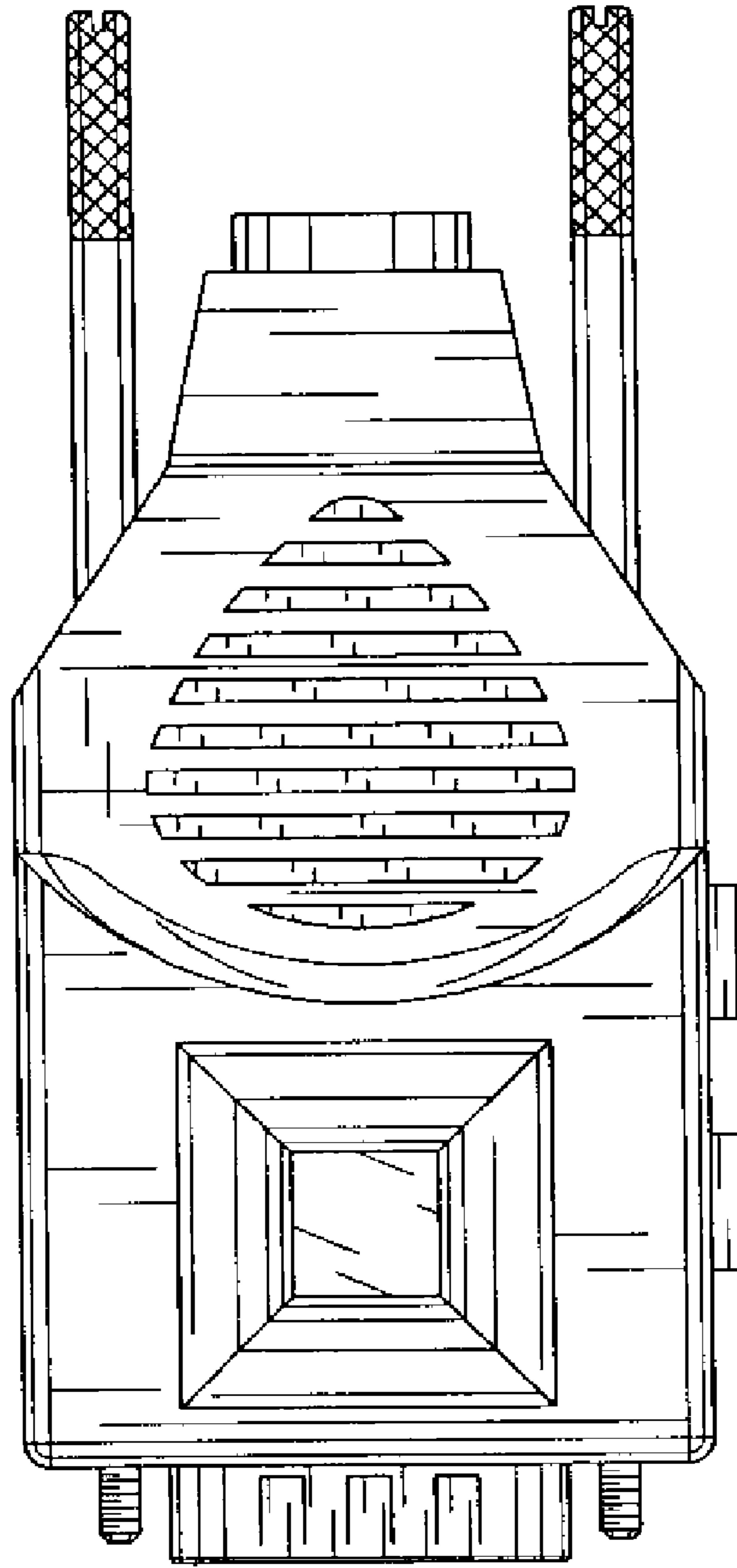


FIG. 6

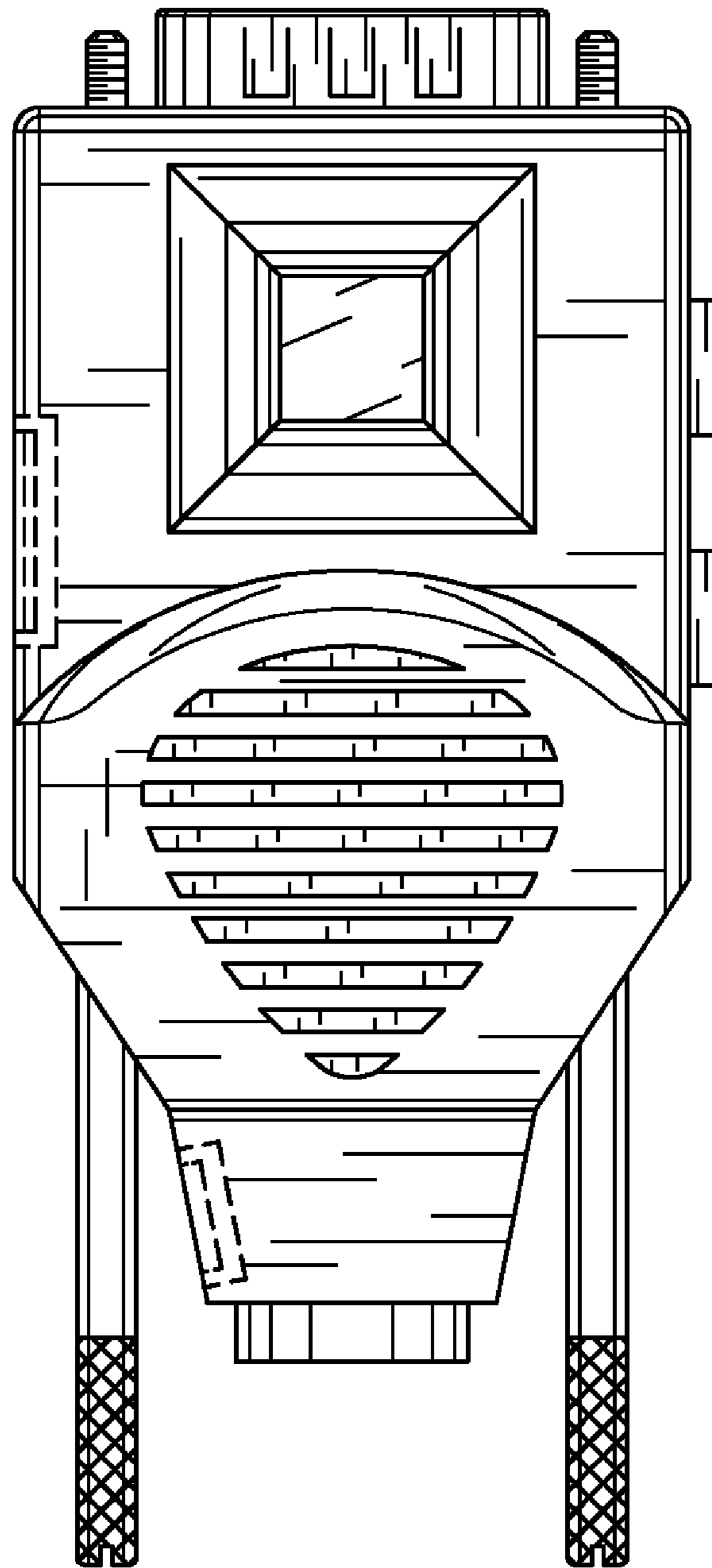


FIG. 7