

US00D596572S

(12) **United States Design Patent**  
**Wu et al.**

(10) **Patent No.:** **US D596,572 S**

(45) **Date of Patent:** **\*\* Jul. 21, 2009**

(54) **ELECTRICAL ADAPTER**

(75) Inventors: **Xiao-Gang Wu**, Kunshan (CN);  
**Ping-Sheng Su**, Tu-Cheng (TW)

(73) Assignee: **Hon Hai Precision Ind. Co., Ltd.**,  
Taipei Hsien (TW)

(\*\*) Term: **14 Years**

(21) Appl. No.: **29/307,460**

(22) Filed: **Apr. 22, 2008**

(51) **LOC (9) Cl.** ..... **13-03**

(52) **U.S. Cl.** ..... **D13/138.1**

(58) **Field of Classification Search** ..... D13/139.1,  
D13/139.2, 139.3, 139.4, 139.5, 139.6, 139.7,  
D13/139.8, 138.1, 138.2, 123, 133, 137.1,  
D13/137.2, 184, 137.3, 137.4, 124, 160, 162,  
D13/164, 178, 154, 156, 107, 110, 145; D14/433,  
D14/256; D8/350, 353; 174/53, 55, 56,  
174/59, 66, 494, 153 G, 152 G, 154, 167,  
174/168, 650, 656; 439/101, 105, 43, 53,  
439/374, 894, 46, 55, 63, 92, 93, 95, 102,  
439/106, 107, 108, 135, 149, 222, 266, 285,  
439/291, 300, 344, 373, 535, 620.21, 638,  
439/660, 907, 650, 651, 652, 653, 654  
See application file for complete search history.

(56) **References Cited**

**U.S. PATENT DOCUMENTS**

4,500,160 A \* 2/1985 Bertsch ..... 439/56  
D283,318 S \* 4/1986 Tibolla ..... D13/160  
D375,080 S \* 10/1996 Sandor et al. .... D13/138.2

D405,765 S \* 2/1999 Yu ..... D13/160  
D408,786 S \* 4/1999 Goto ..... D13/138.1  
D478,310 S \* 8/2003 Andre et al. .... D13/110  
D494,138 S \* 8/2004 Adams et al. .... D13/138.1  
D519,922 S \* 5/2006 Andre et al. .... D13/110  
D534,867 S \* 1/2007 Xue et al. .... D13/133  
D538,227 S \* 3/2007 Holland ..... D13/138.1  
D548,187 S \* 8/2007 Holland ..... D13/138.1  
D552,036 S \* 10/2007 Holland ..... D13/138.1  
D563,877 S \* 3/2008 Grant ..... D13/147

\* cited by examiner

*Primary Examiner*—Jennifer Rivard

*Assistant Examiner*—Angela J Lee

(74) *Attorney, Agent, or Firm*—Wei Te Chung

(57) **CLAIM**

The ornamental design for an electrical adapter, as shown and described.

**DESCRIPTION**

FIG. 1 is a front, top and right side perspective view of an electrical adapter, showing our new design;

FIG. 2 is a front elevation view thereof;

FIG. 3 is a rear elevation view thereof;

FIG. 4 is a left side elevation view thereof;

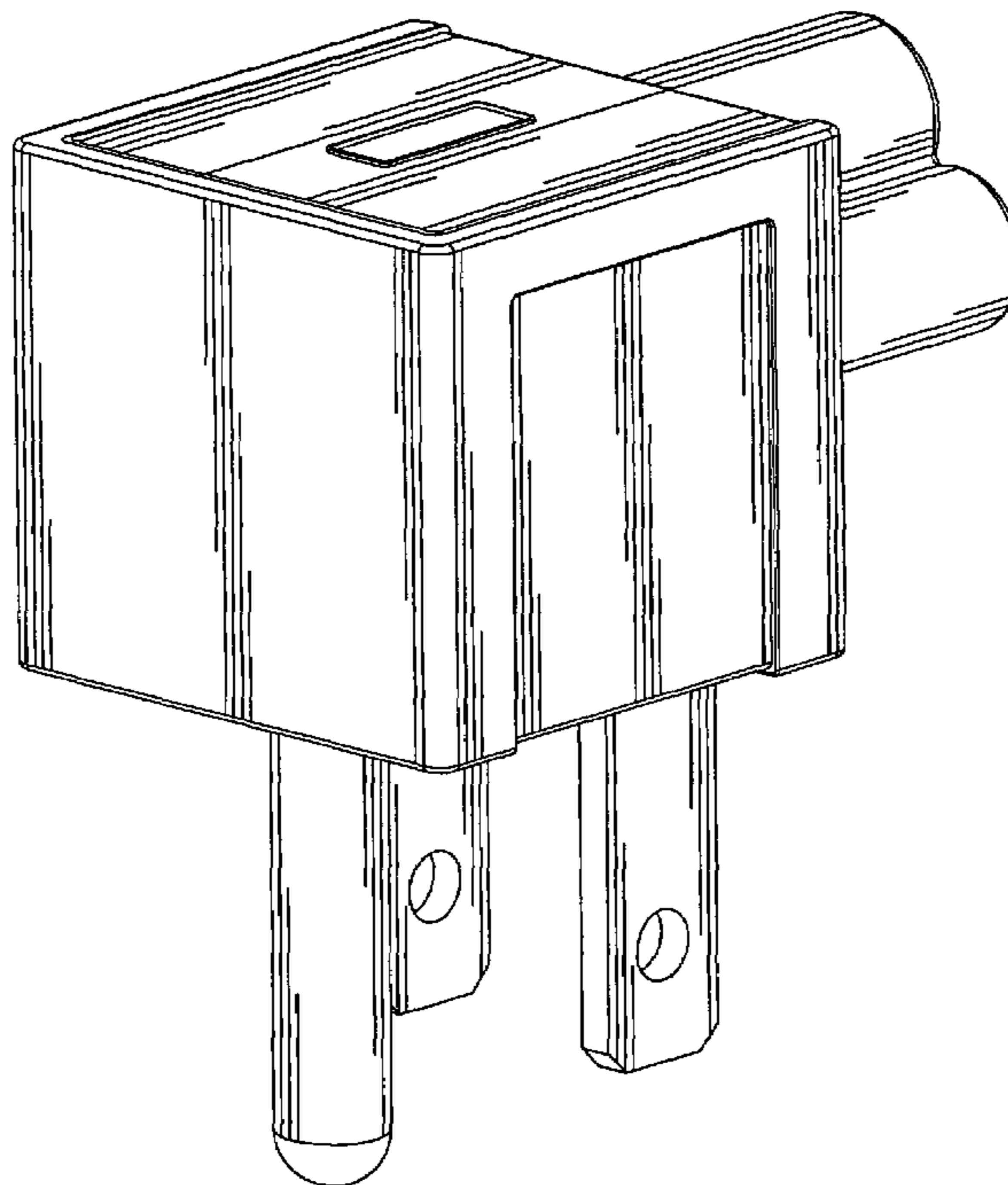
FIG. 5 is a right side elevation view thereof;

FIG. 6 is a top plan view thereof; and,

FIG. 7 is a bottom plan view thereof.

The portions of the electrical adapter shown in broken lines form no part of the claimed design.

**1 Claim, 7 Drawing Sheets**



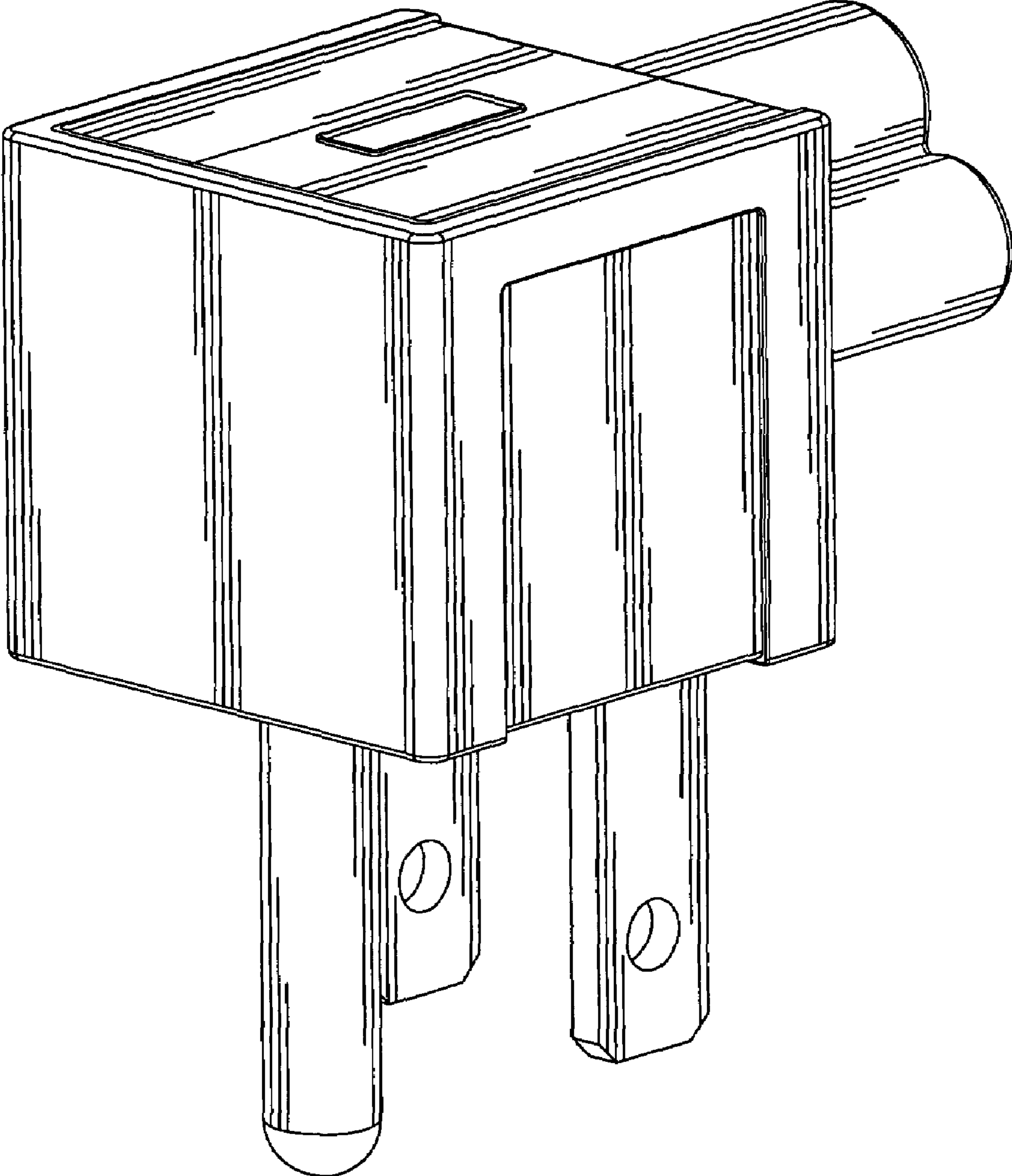


FIG. 1

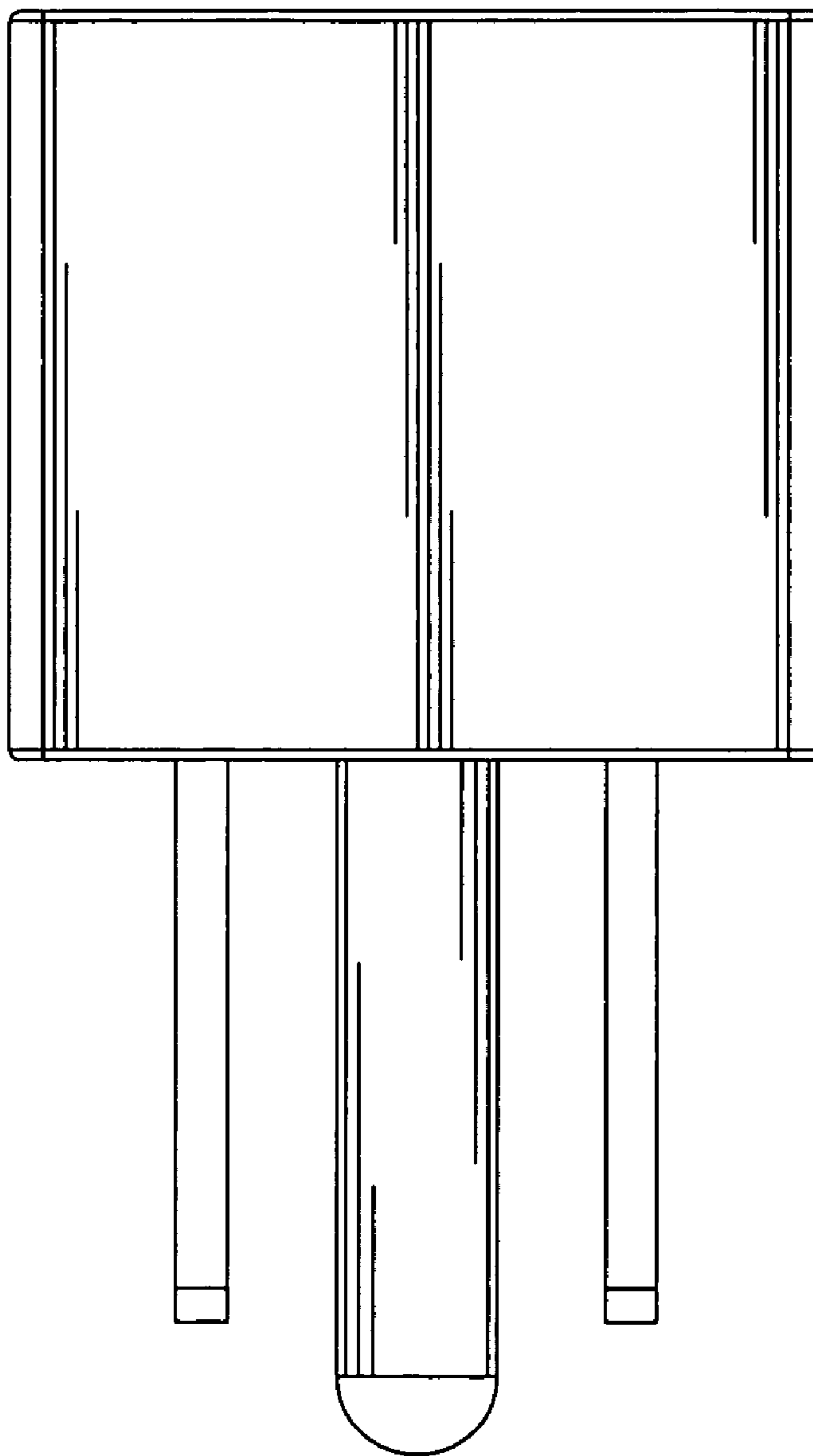


FIG. 2

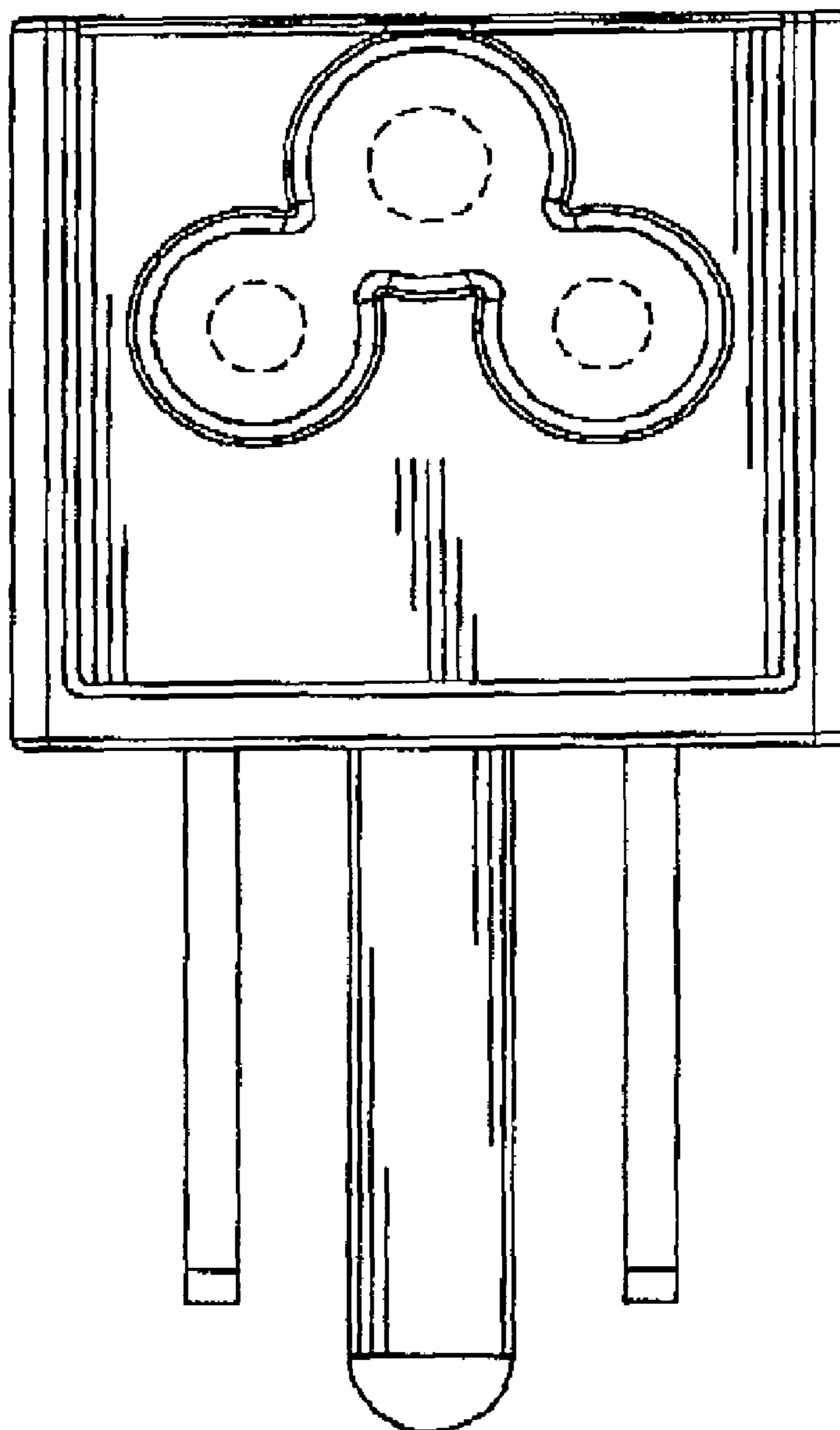


FIG. 3

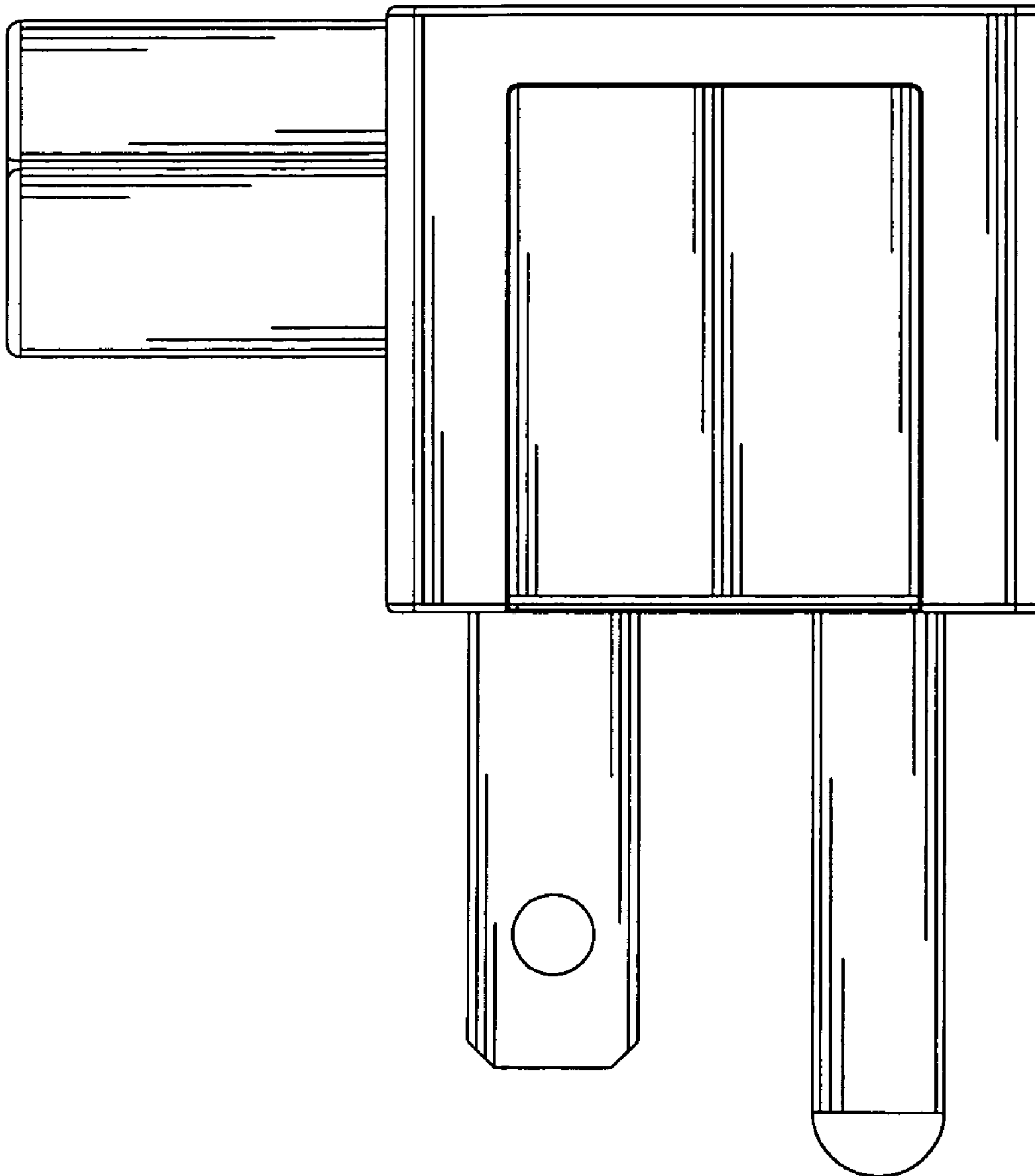


FIG. 4

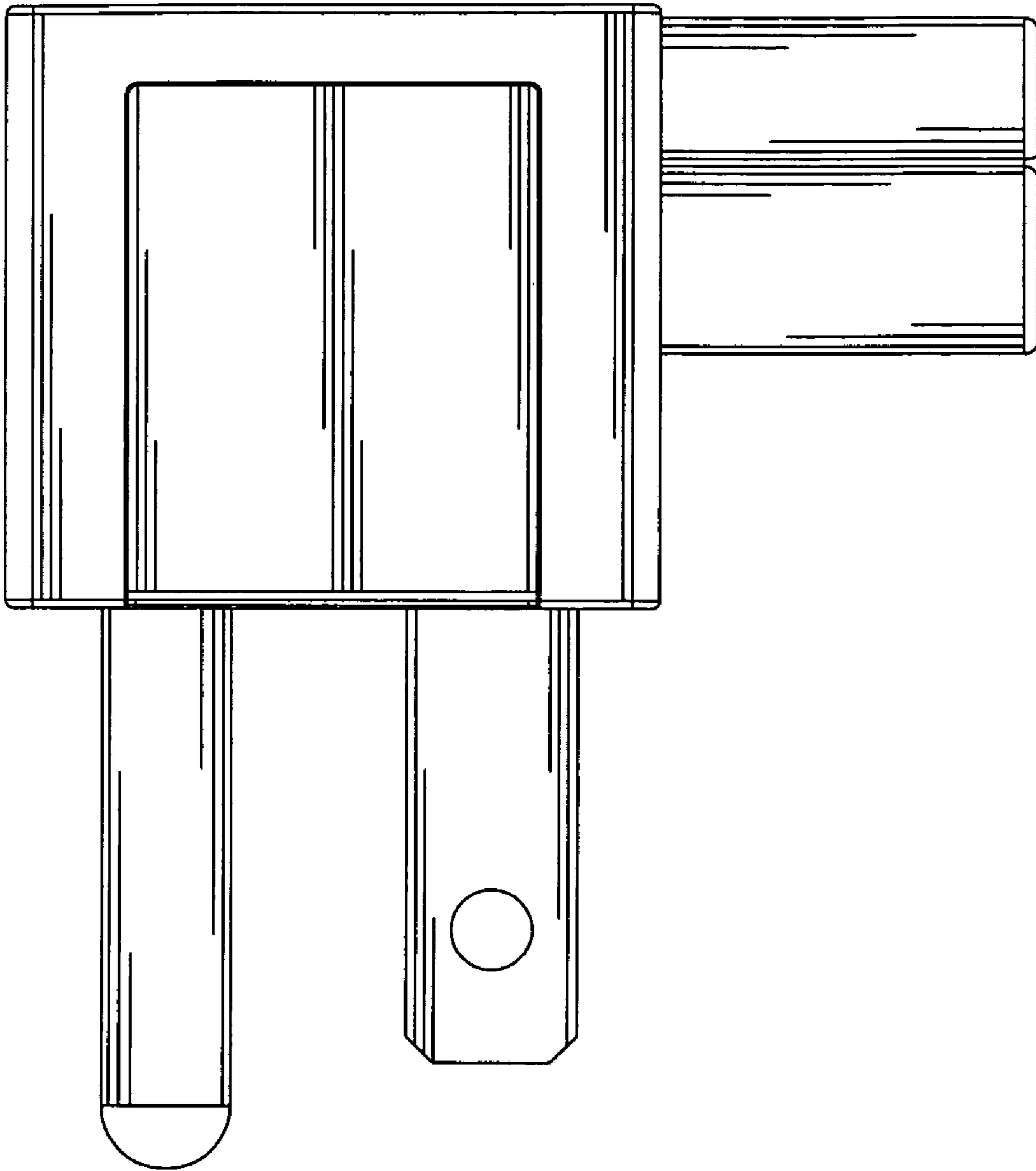


FIG. 5

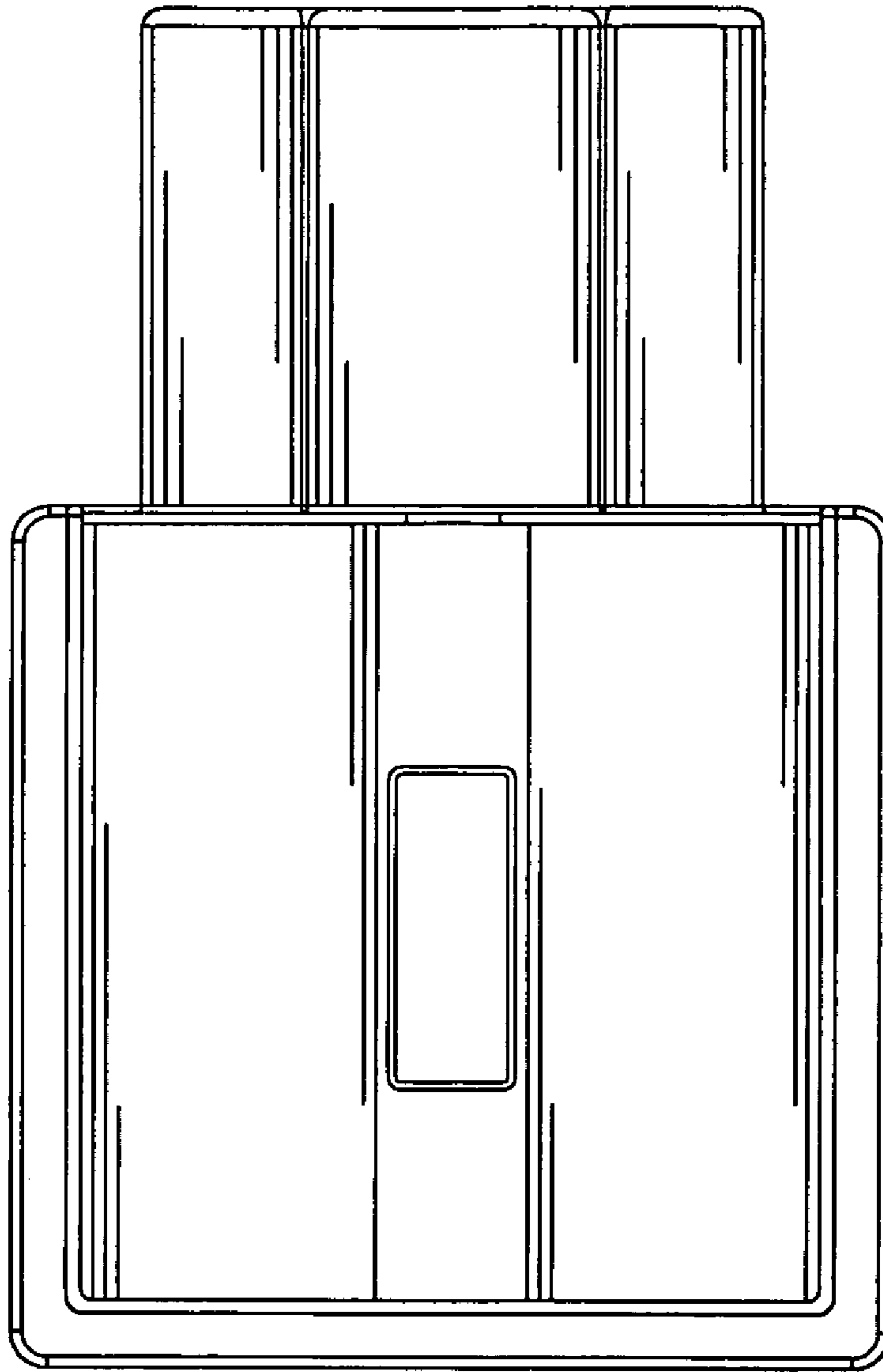


FIG. 6

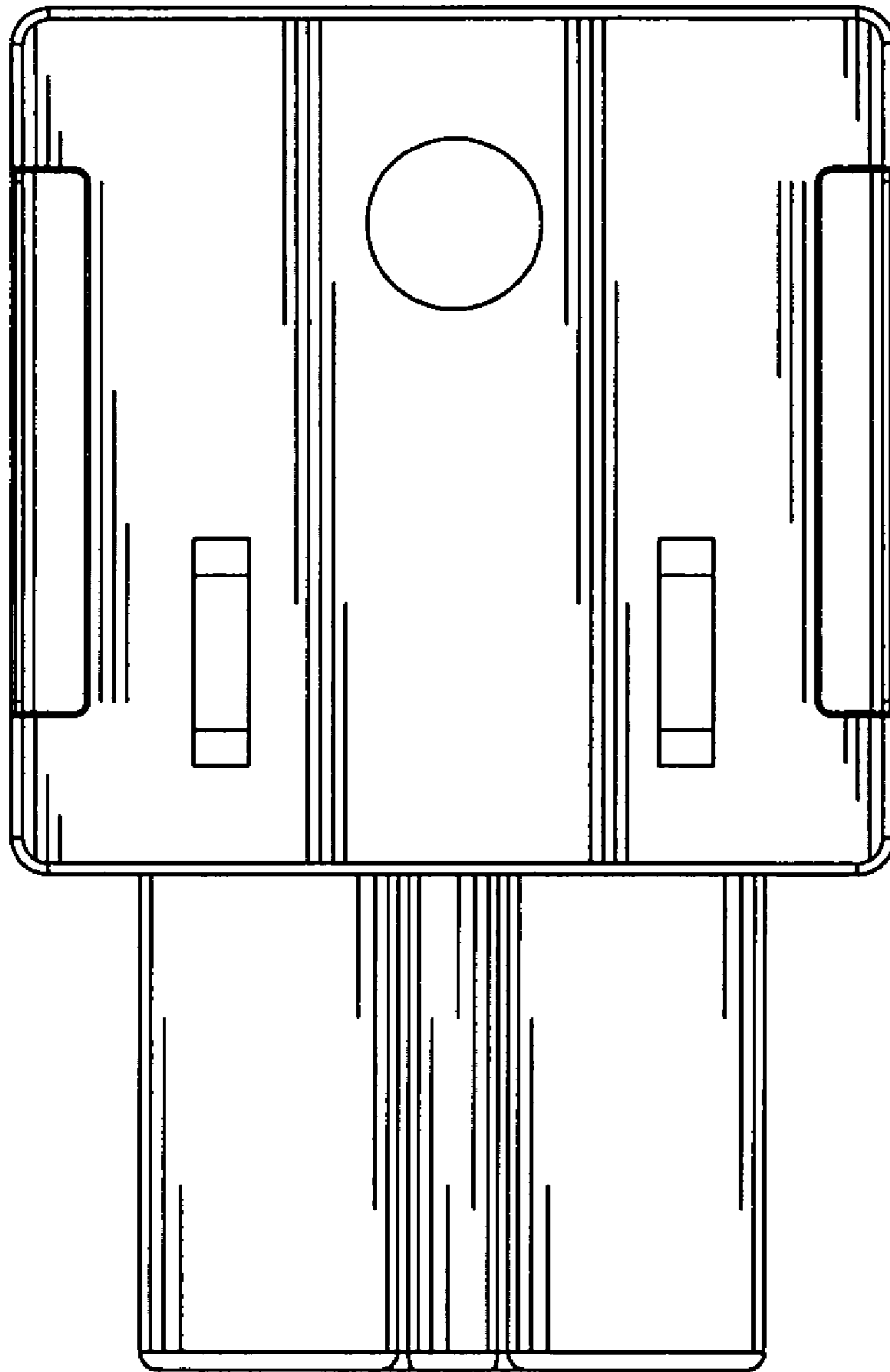


FIG. 7