



US00D596571S

(12) **United States Design Patent**  
**Green**

(10) **Patent No.:** **US D596,571 S**

(45) **Date of Patent:** **\*\* Jul. 21, 2009**

(54) **ELECTRIC PLUG**

(76) **Inventor:** **Robert L. Green**, 2332 Pine Hollow Trail, Brighton, MI (US) 48114-4900

(\*\*) **Term:** **14 Years**

(21) **Appl. No.:** **29/288,690**

(22) **Filed:** **Jun. 19, 2007**

(51) **LOC (9) Cl.** ..... **13-03**

(52) **U.S. Cl.** ..... **D13/137.2**

(58) **Field of Classification Search** .. D13/137.1-139.8,  
D13/184; D14/433; 174/53-58, 66; 439/105-107,  
439/535, 650-655, 692

See application file for complete search history.

(56) **References Cited**

**U.S. PATENT DOCUMENTS**

|           |      |         |            |       |           |
|-----------|------|---------|------------|-------|-----------|
| 1,511,855 | A *  | 10/1924 | Wentz      | ..... | 439/652   |
| 1,568,156 | A *  | 1/1926  | Herskovitz | ..... | 439/652   |
| 2,676,223 | A *  | 4/1954  | Whitaker   | ..... | 337/197   |
| 4,085,996 | A *  | 4/1978  | Koslo      | ..... | 439/105   |
| D251,293  | S *  | 3/1979  | Trueblood  | ..... | D13/137.2 |
| 4,293,172 | A *  | 10/1981 | Lingaraju  | ..... | 439/105   |
| D276,225  | S *  | 11/1984 | Powel      | ..... | D13/137.2 |
| D315,141  | S *  | 3/1991  | Hames      | ..... | D13/137.3 |
| D436,345  | S *  | 1/2001  | Lentine    | ..... | D13/137.2 |
| 6,929,514 | B1 * | 8/2005  | Chuang     | ..... | 439/652   |

|           |      |        |                |       |           |
|-----------|------|--------|----------------|-------|-----------|
| D540,257  | S *  | 4/2007 | Ivanova et al. | ..... | D13/137.2 |
| D559,184  | S *  | 1/2008 | Russell et al. | ..... | D13/137.1 |
| 7,371,122 | B2 * | 5/2008 | Ivanova et al. | ..... | 439/652   |

\* cited by examiner

*Primary Examiner*—Jennifer Rivard

*Assistant Examiner*—Rosemary K Tarcza

(74) *Attorney, Agent, or Firm*—Barbara M. Burns

(57) **CLAIM**

The ornamental design for an electric plug, as shown and described.

**DESCRIPTION**

FIG. 1 is a perspective view of the electric plug showing my new design;

FIG. 2 is a front elevational view;

FIG. 3 is a back elevational view;

FIG. 4 is a top plan view;

FIG. 5 is a bottom plan view;

FIG. 6 is a right side elevational view; and,

FIG. 7 is a left side elevational view.

The broken lines shown in the drawings are included for the purpose of illustrating environmental structure and form no part of the claimed design.

**1 Claim, 2 Drawing Sheets**

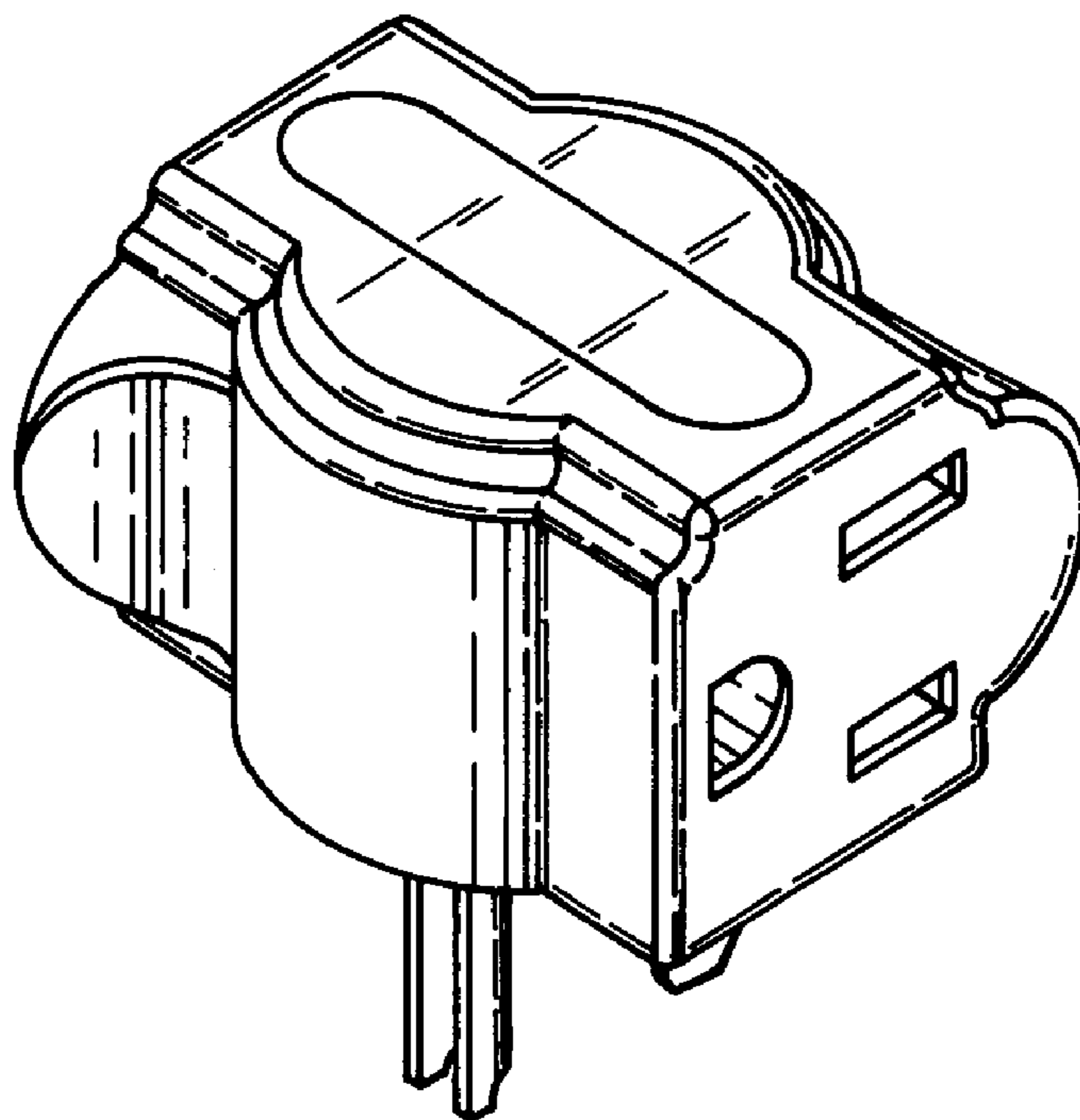


FIG 1

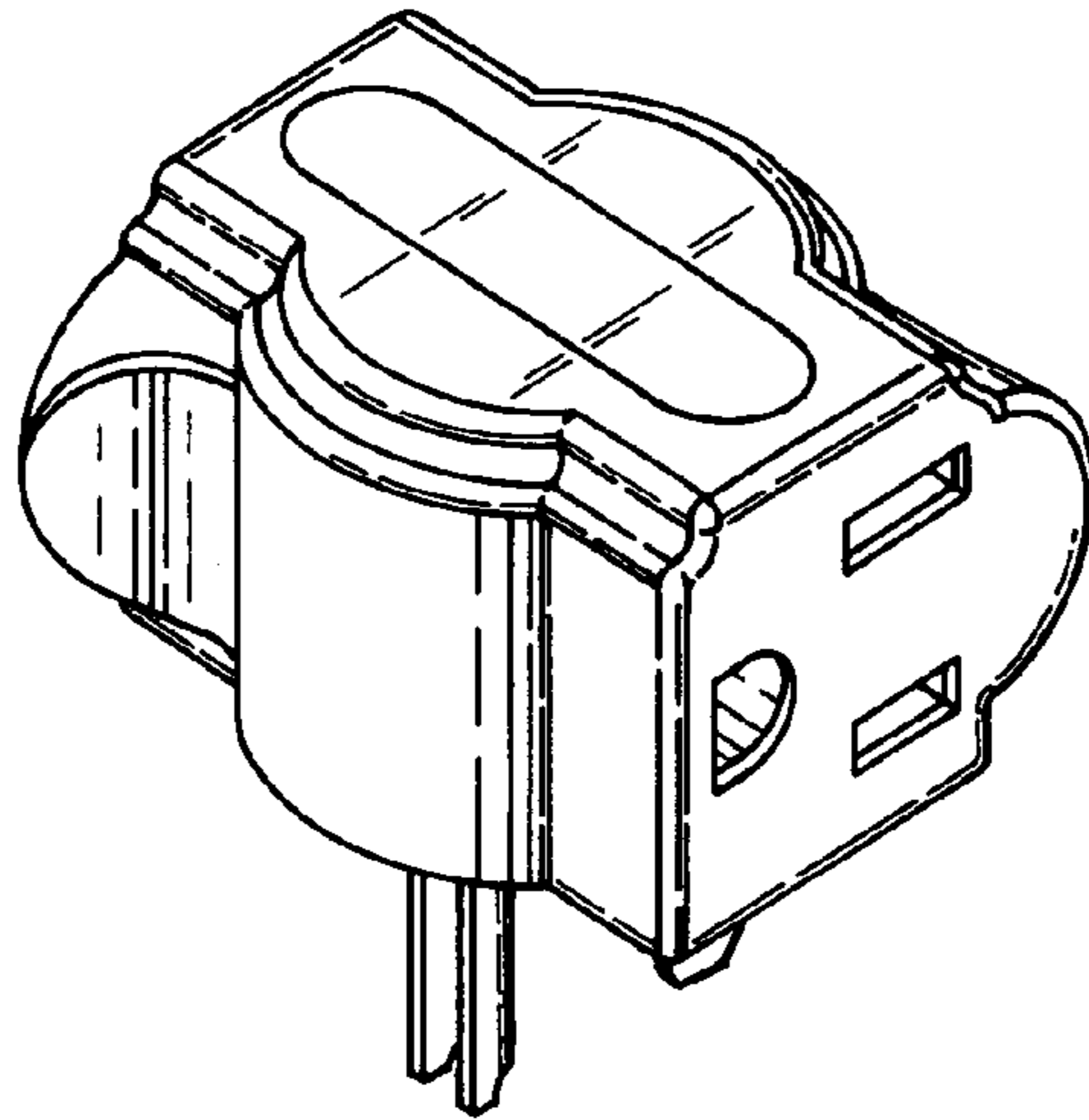


FIG 2

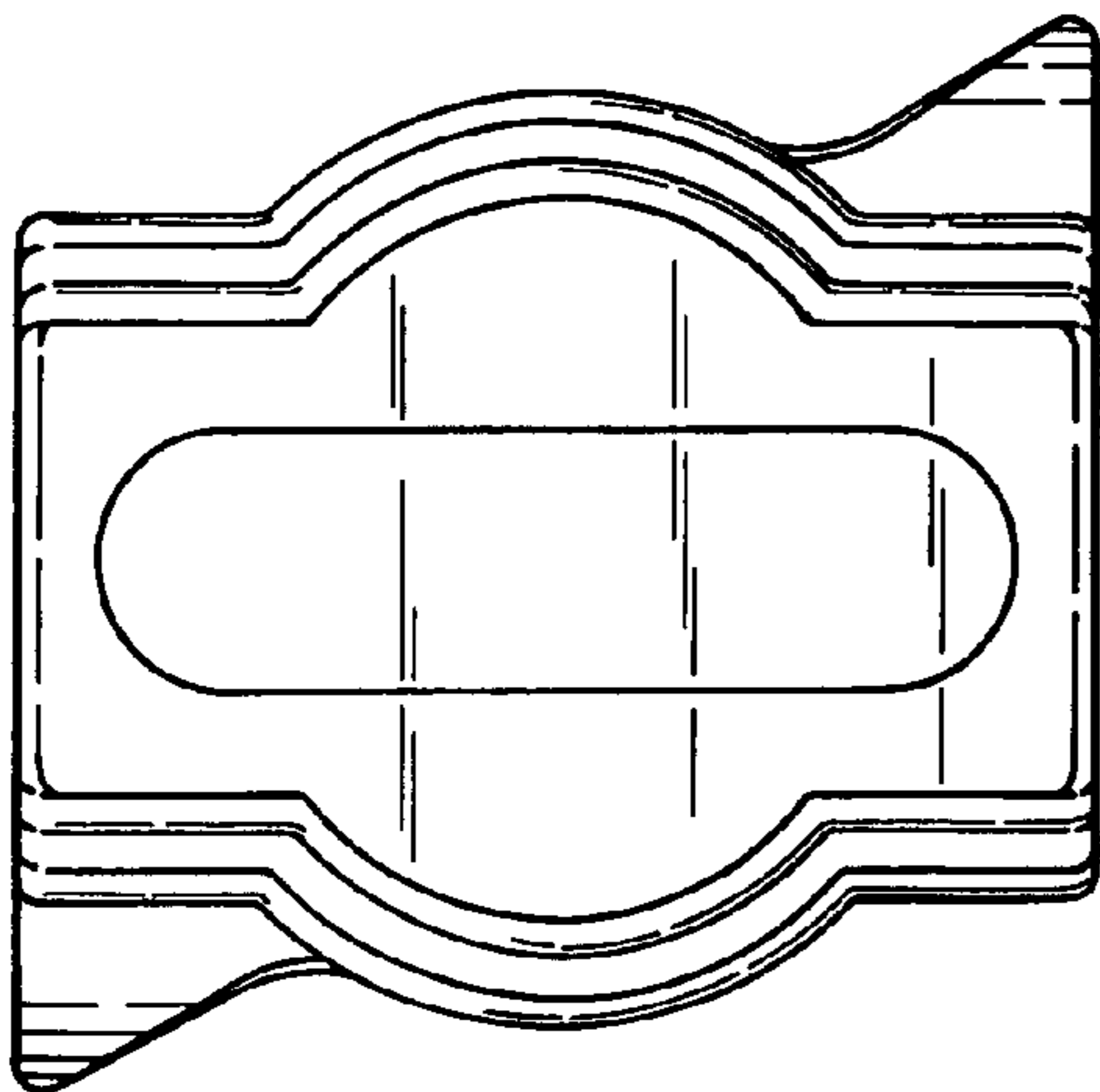
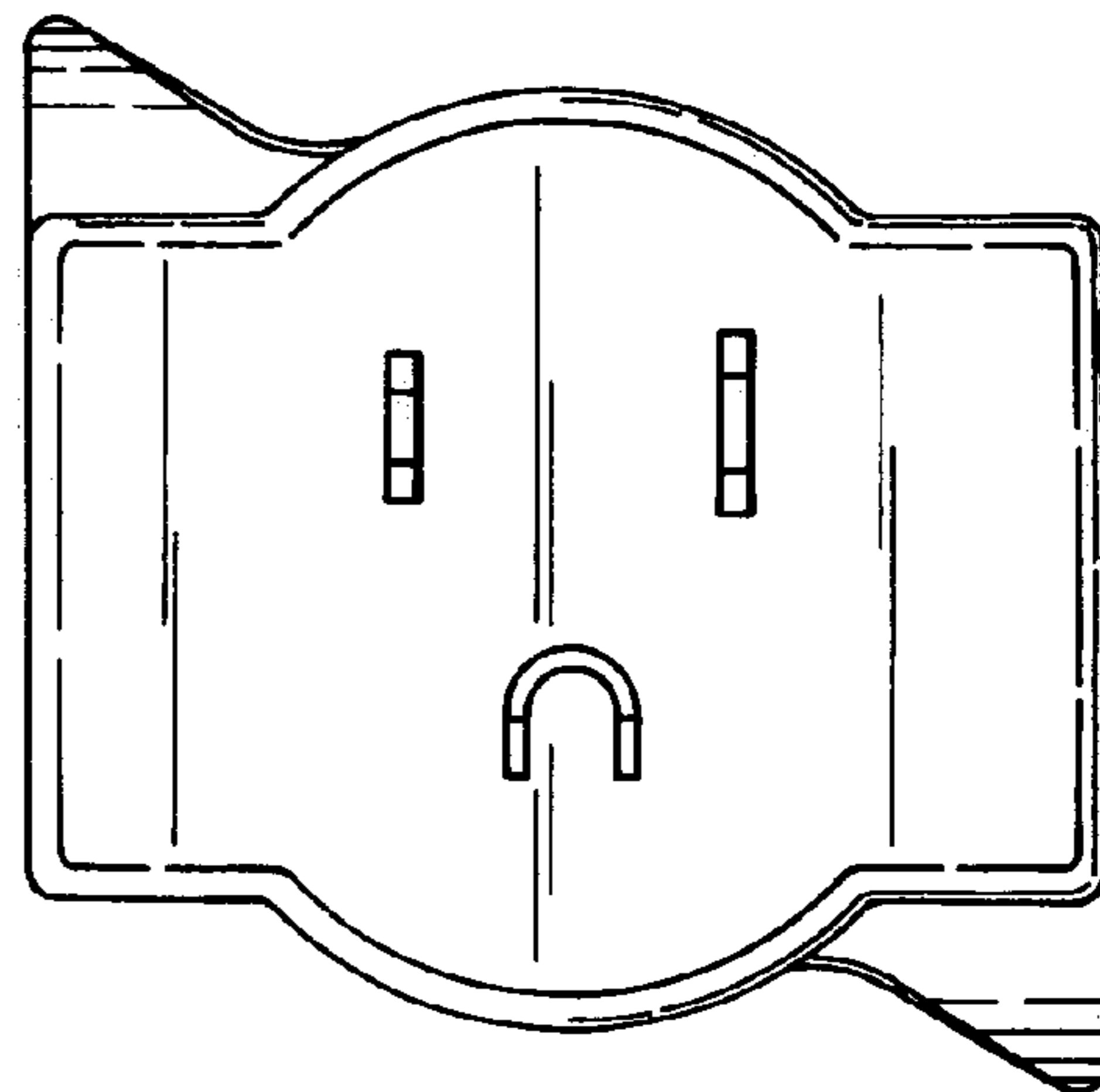
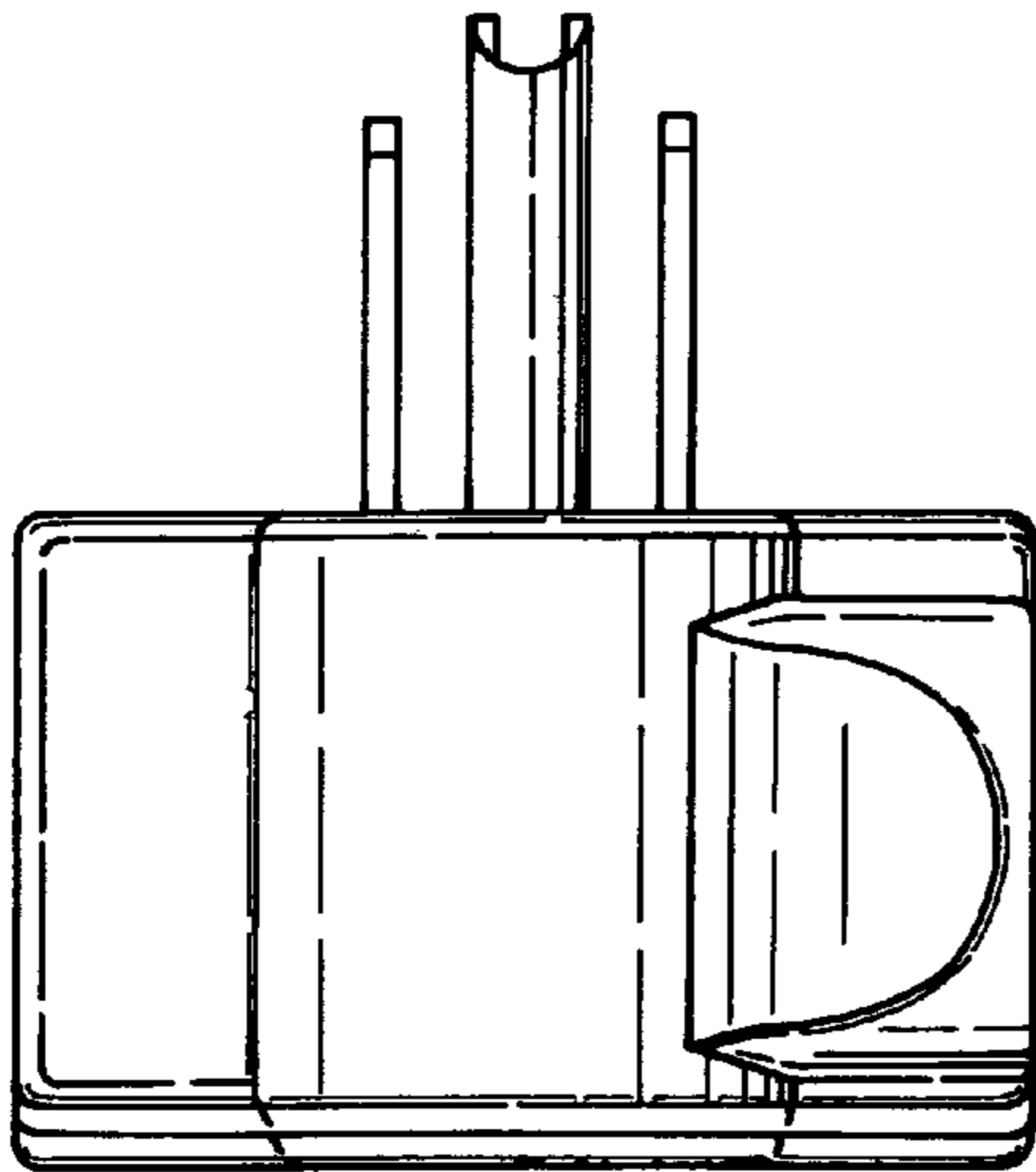


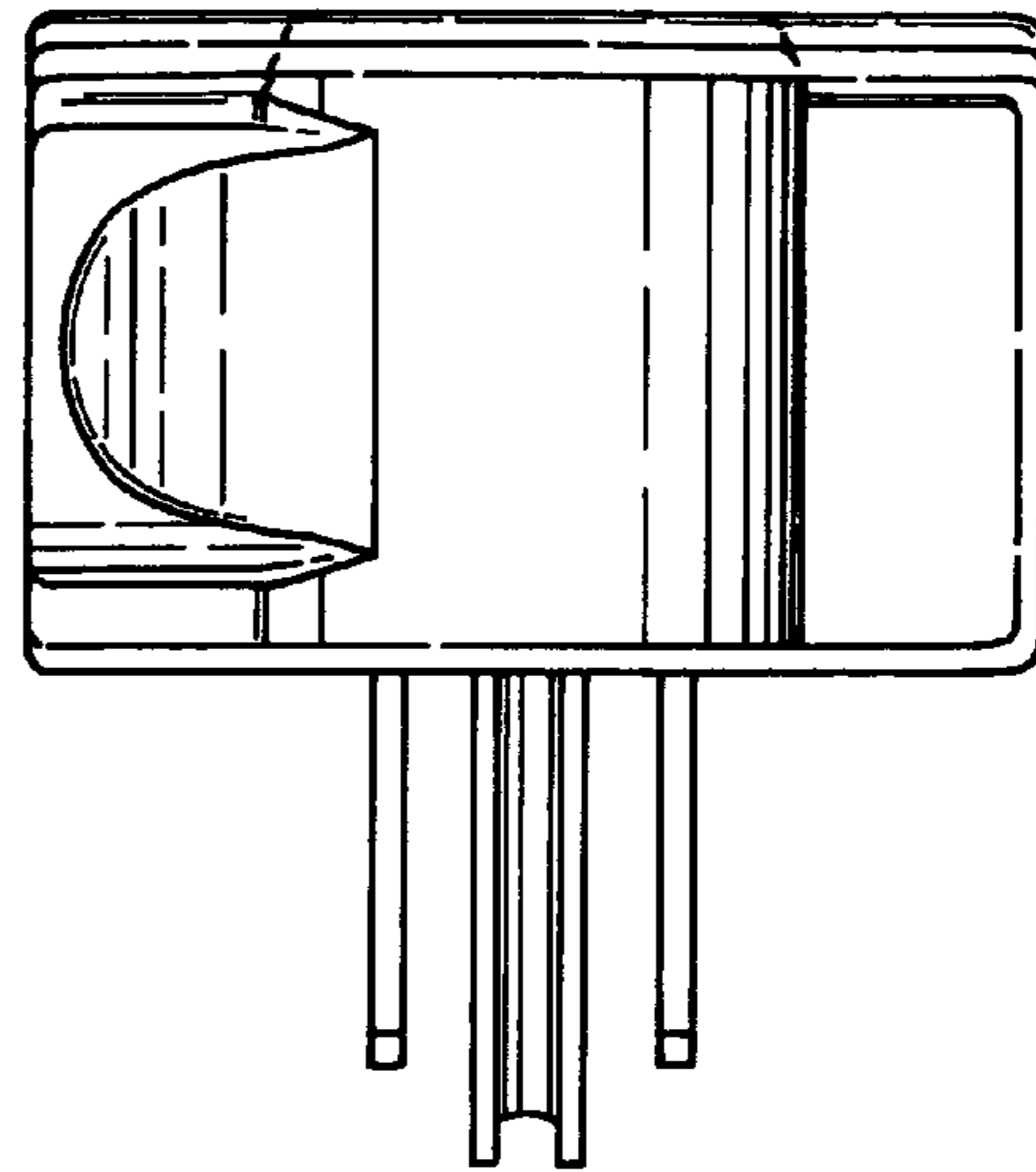
FIG 3



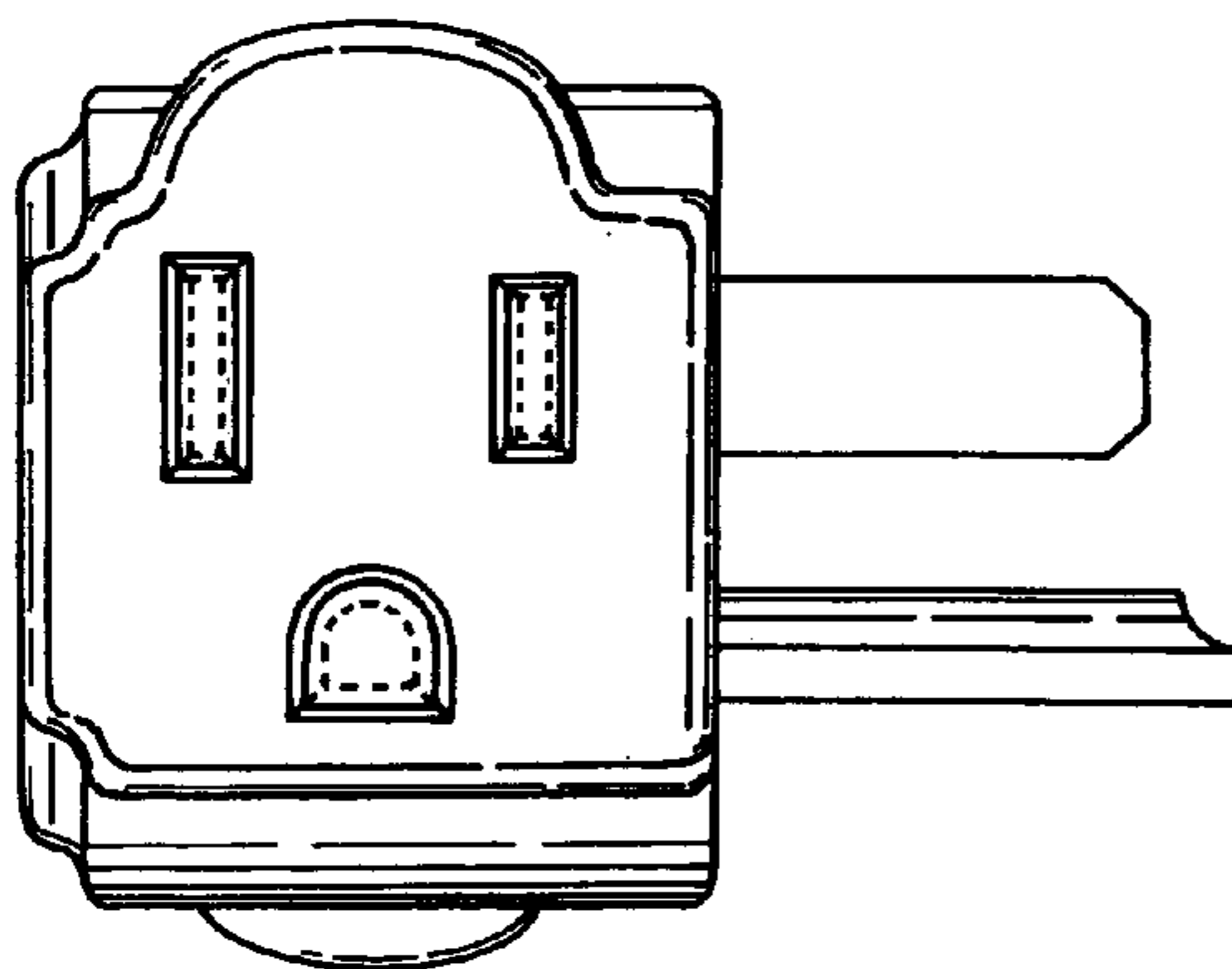
*FIG 4*



*FIG 5*



*FIG 6*



*FIG 7*

