



US00D596569S

(12) **United States Design Patent**  
**Lin**

(10) **Patent No.:** **US D596,569 S**

(45) **Date of Patent:** **\*\* Jul. 21, 2009**

(54) **PLUG CONNECTOR**

(75) Inventor: **Chu-Geng Lin**, Taipei Hsien (TW)

(73) Assignee: **Cheng Uei Precision Industry Co., Ltd.**, Taipei Hsien (TW)

(\*\*) Term: **14 Years**

(21) Appl. No.: **29/329,266**

(22) Filed: **Dec. 11, 2008**

(51) **LOC (9) Cl.** ..... **13-03**

(52) **U.S. Cl.** ..... **D13/133**

(58) **Field of Classification Search** ..... D13/110,  
D13/123, 133, 146, 147, 153, 184, 199; 439/11,  
439/13, 344, 350, 357, 502, 638, 676; D14/256  
See application file for complete search history.

(56) **References Cited**

**U.S. PATENT DOCUMENTS**

D299,641	S	*	1/1989	Rossum, Jr.	.....	D13/133
D519,078	S	*	4/2006	Christianson et al.	.....	D13/133
D555,091	S	*	11/2007	Kawase et al.	.....	D13/133
D560,166	S	*	1/2008	Andre et al.	.....	D13/133
D579,871	S	*	11/2008	Hsiau	.....	D13/133
D585,022	S	*	1/2009	Akita	.....	D13/133
D586,295	S	*	2/2009	Zhao et al.	.....	D13/133

\* cited by examiner

*Primary Examiner*—Daniel D Bui

*Assistant Examiner*—Thomas J Johannes

(74) *Attorney, Agent, or Firm*—WPAT, P.C.; Anthony King

(57) **CLAIM**

The ornamental design for a plug connector, as shown and described.

**DESCRIPTION**

FIG. 1 is a perspective view of a plug connector showing my new design;

FIG. 2 is a front elevational view thereof;

FIG. 3 is a rear elevational view thereof;

FIG. 4 is a left side elevational view thereof;

FIG. 5 is a right side elevational view thereof;

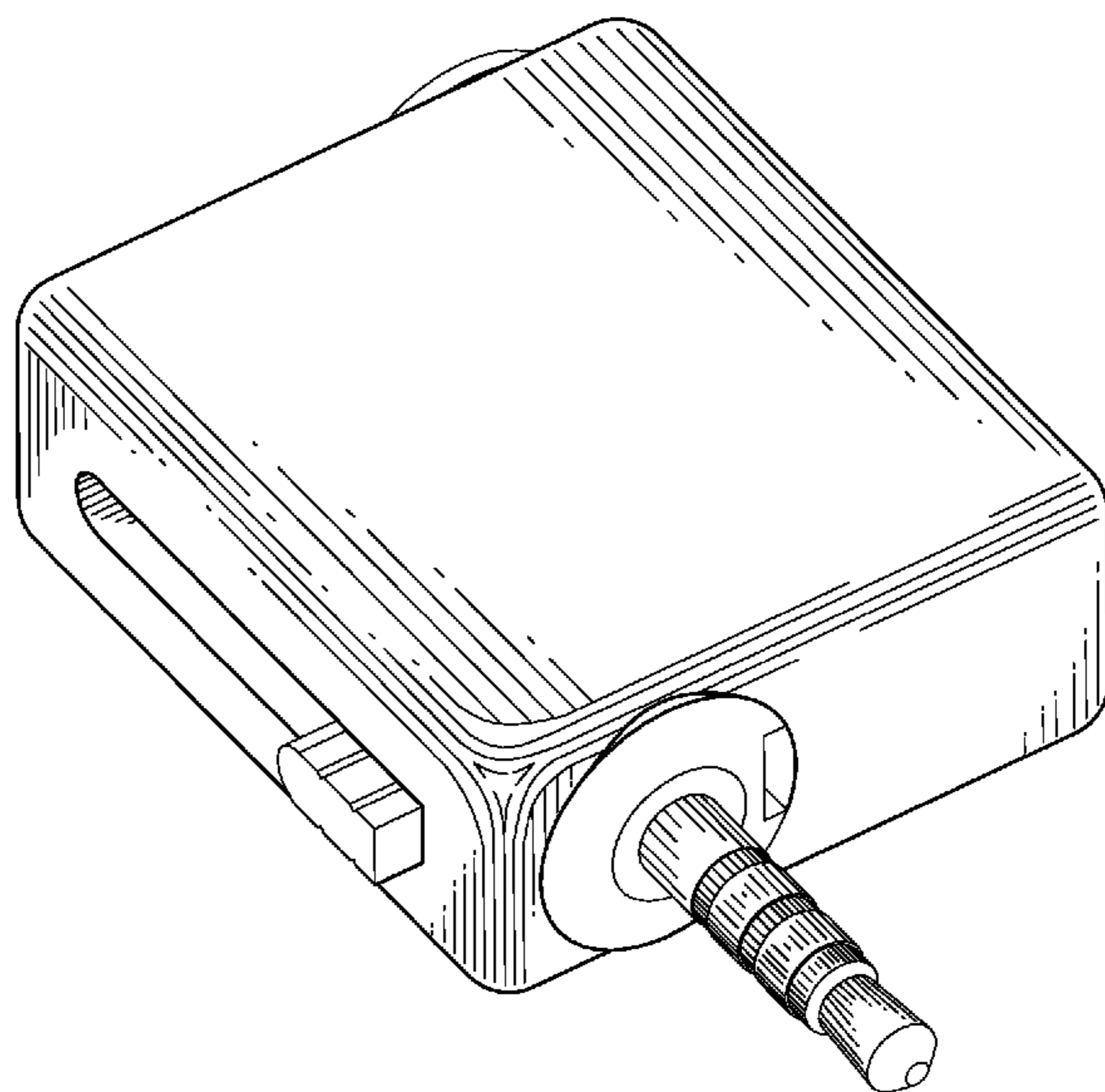
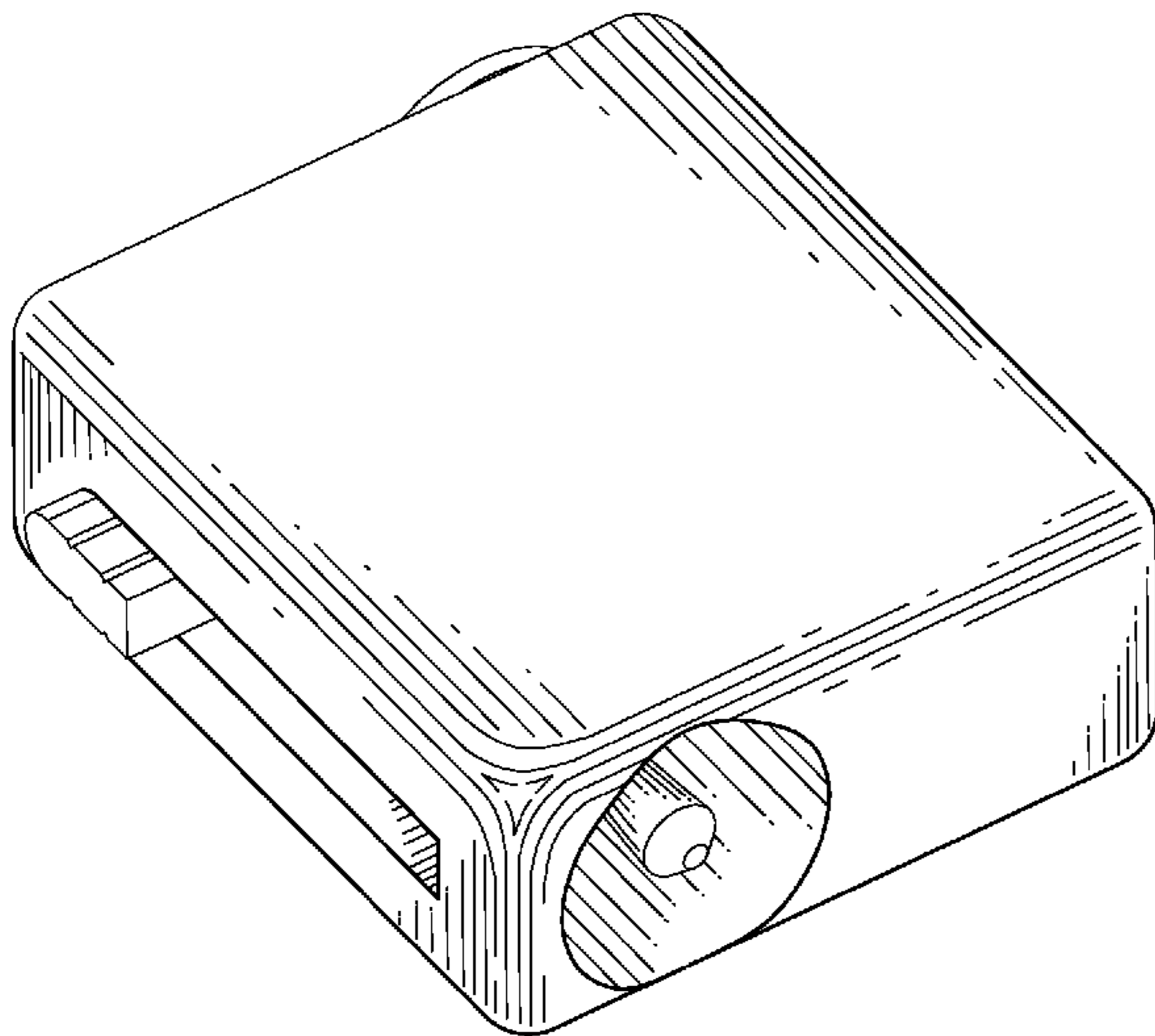
FIG. 6 is a top plan view thereof;

FIG. 7 is a bottom plan view thereof; and,

FIG. 8 is a perspective view showing the plug connector in an opening state.

The broken line portion of the figure drawings is included to show unclaimed subject matter only and forms no part of the claimed design.

**1 Claim, 8 Drawing Sheets**



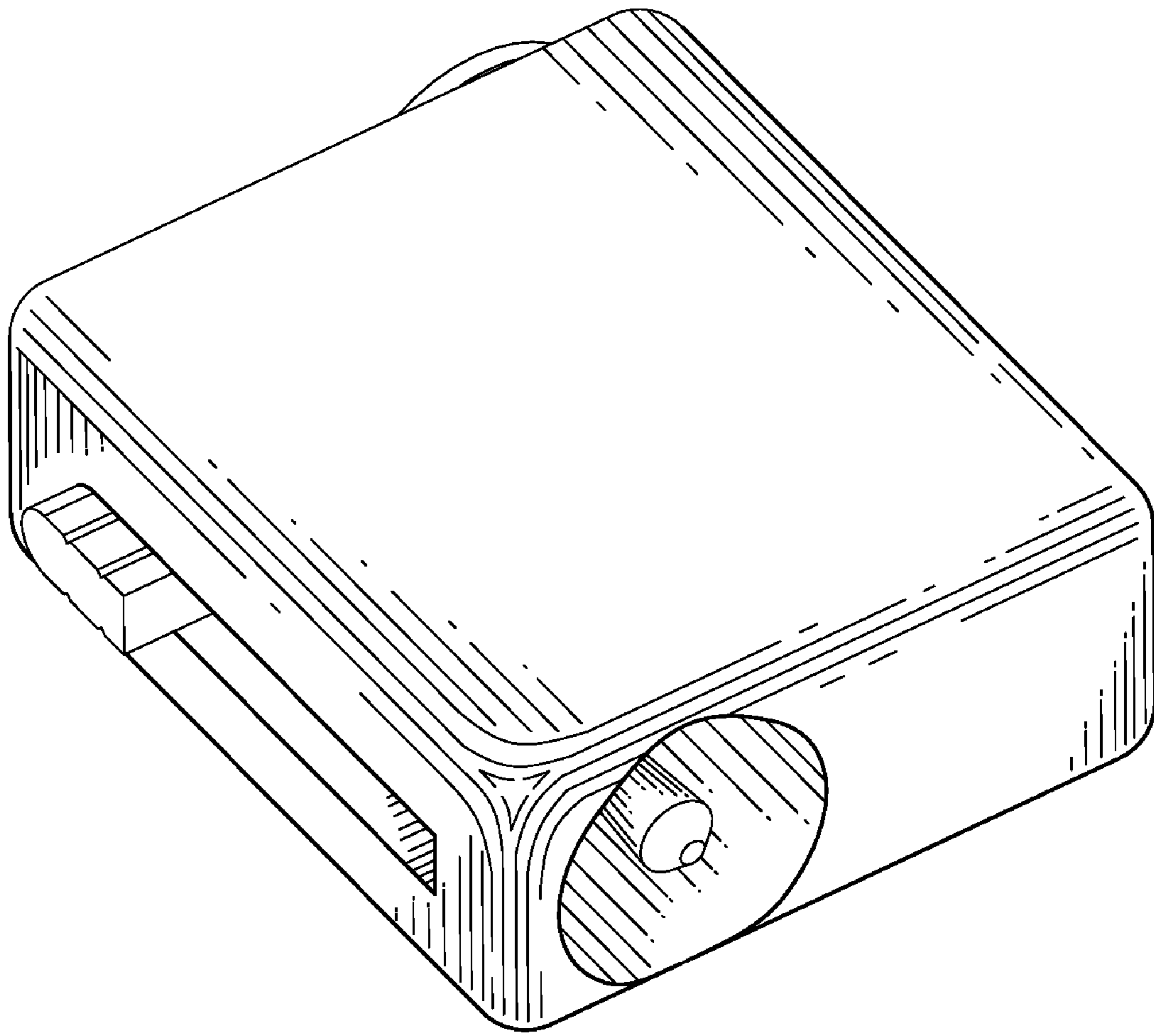


FIG. 1

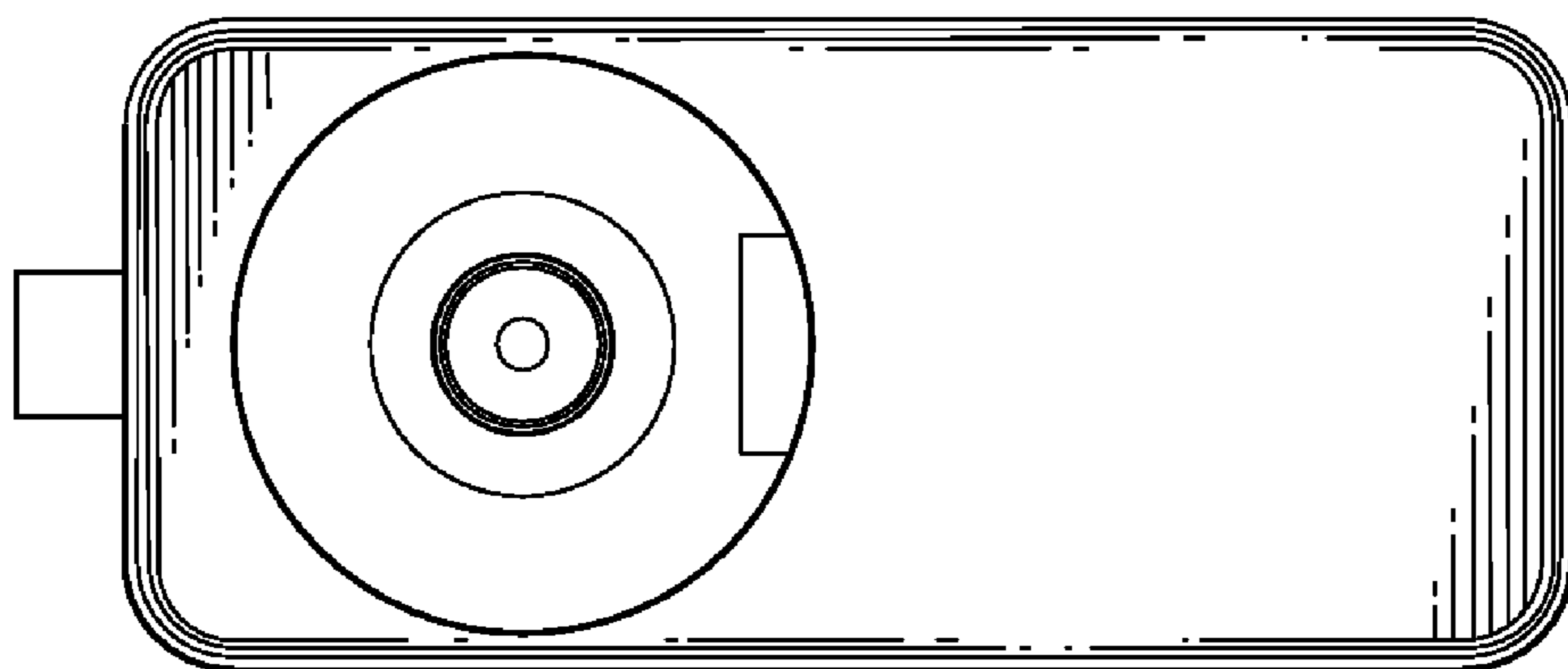


FIG. 2

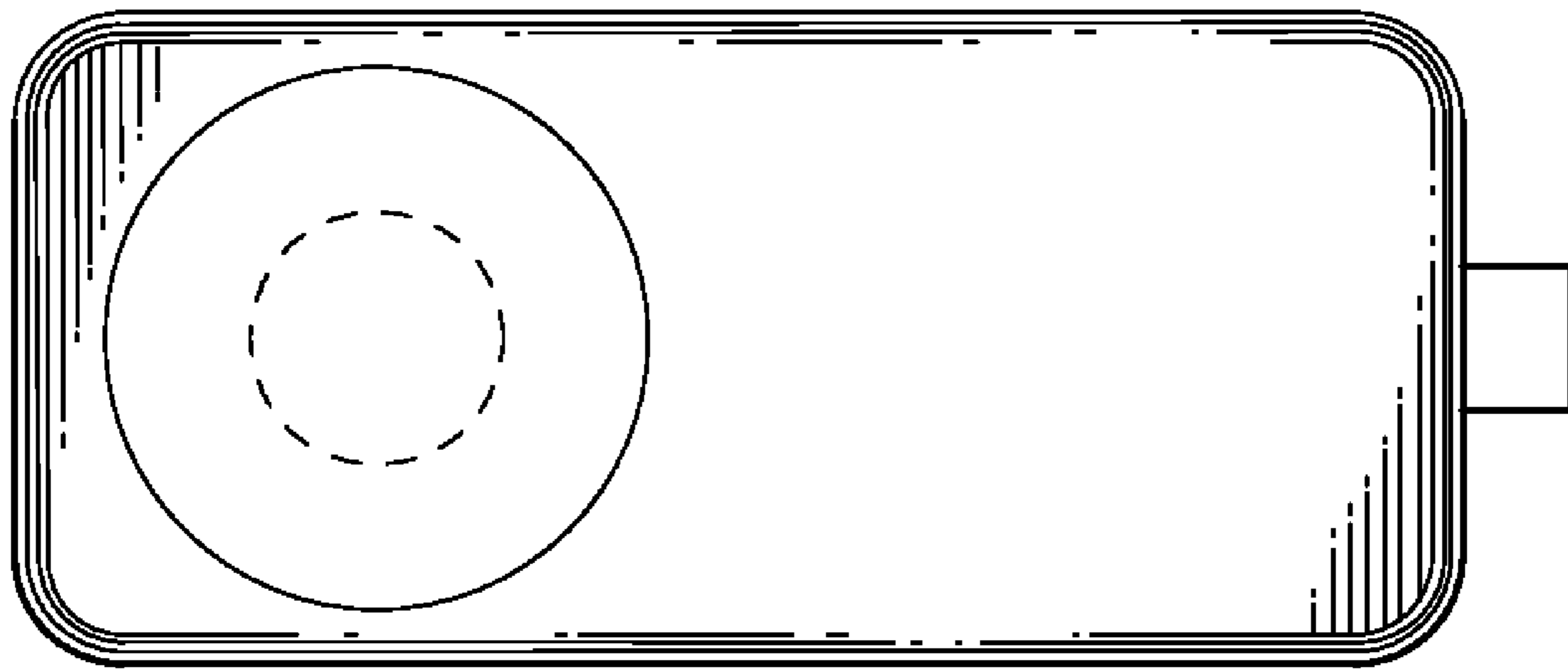


FIG. 3

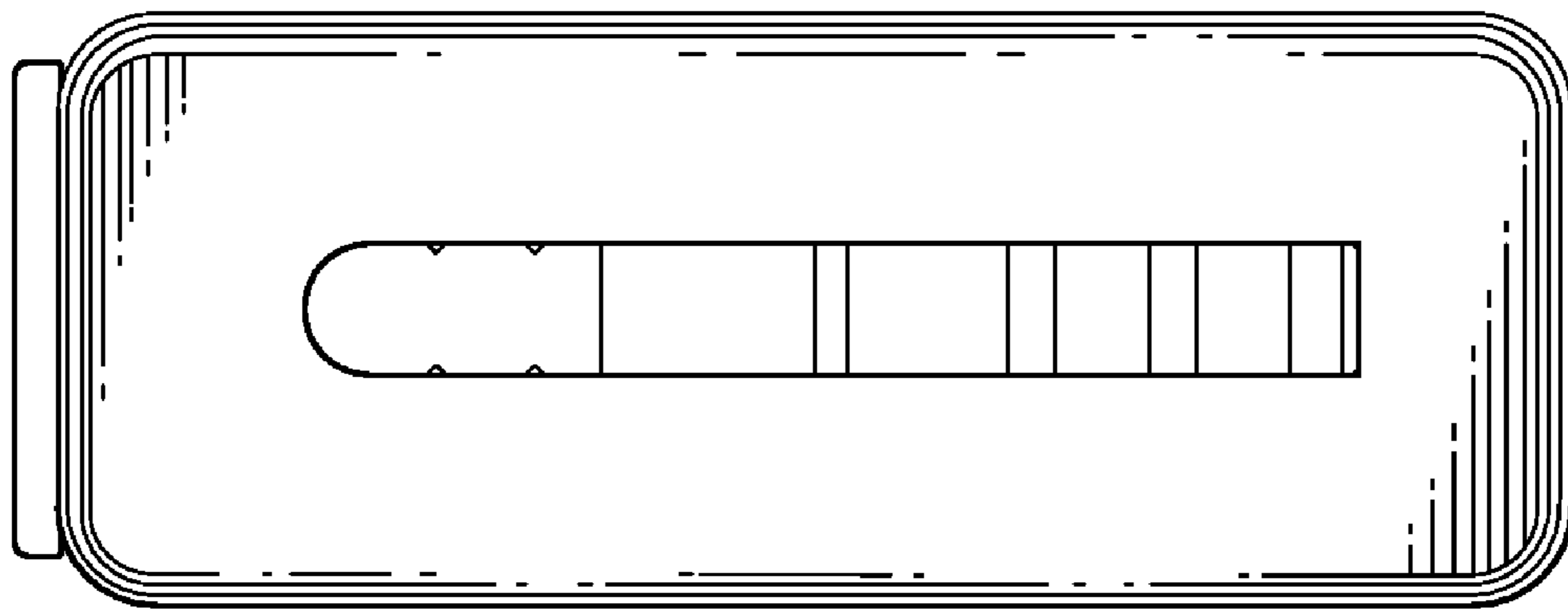


FIG. 4

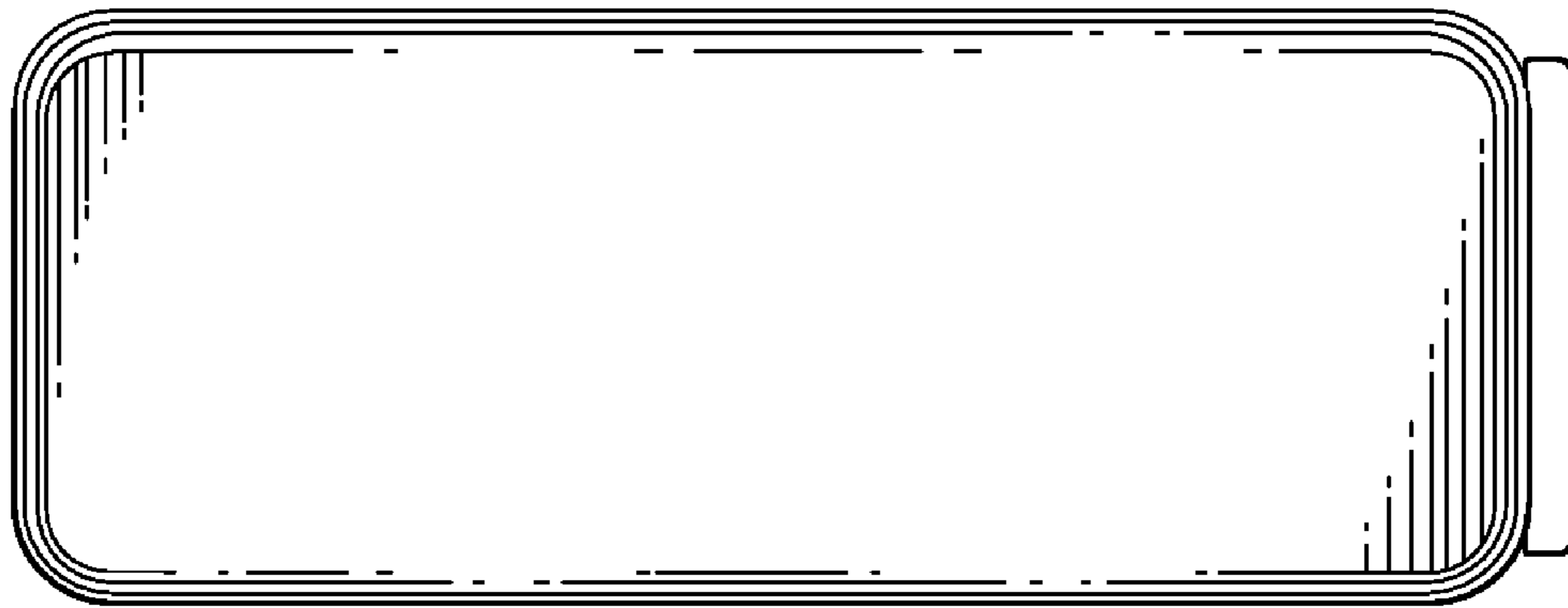


FIG. 5

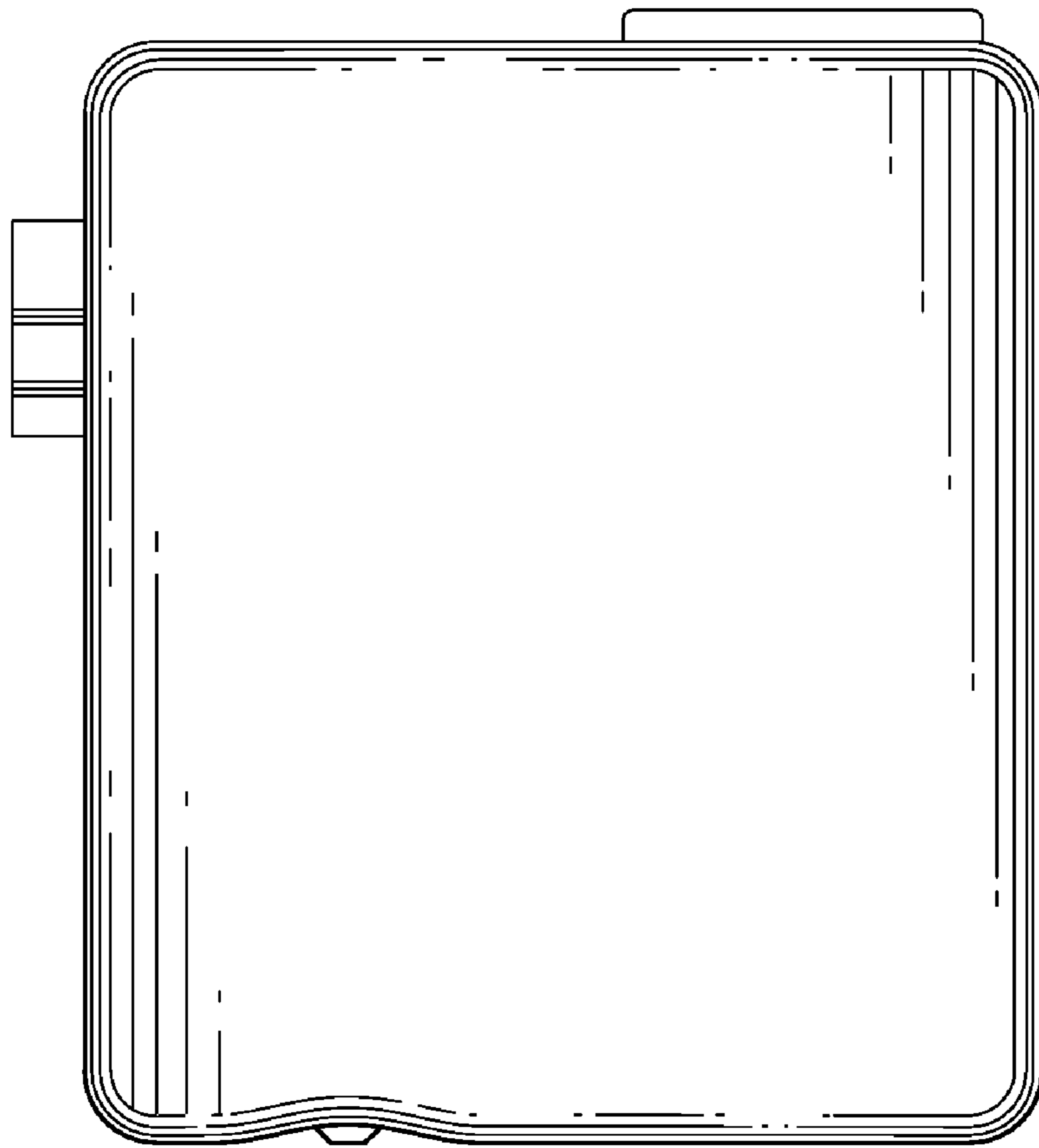


FIG. 6

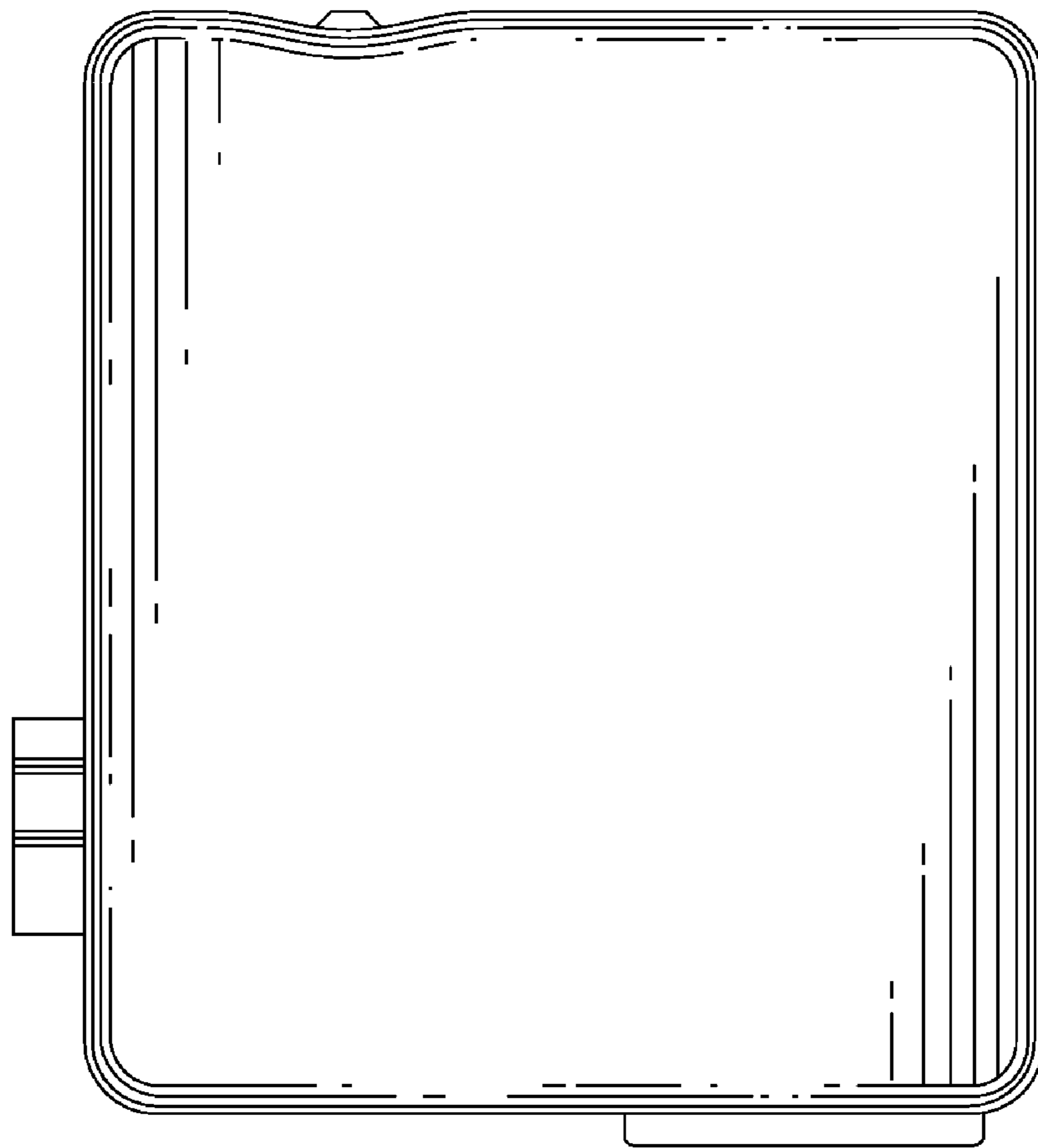


FIG. 7



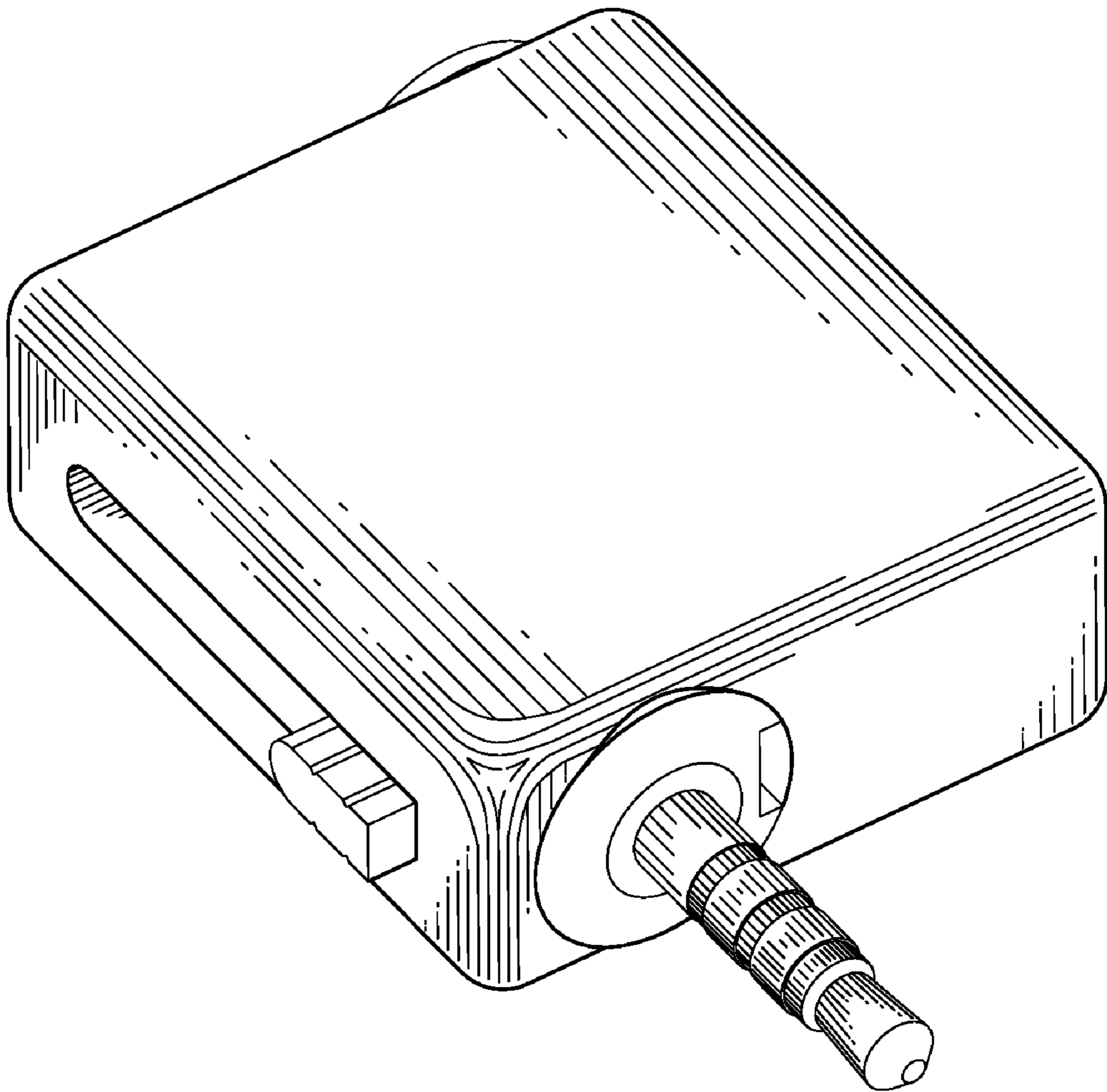


FIG. 8