

US00D596563S

(12) **United States Design Patent**
Kitajima et al.

(10) **Patent No.:** **US D596,563 S**
(45) **Date of Patent:** **** Jul. 21, 2009**

(54) **COIL UNIT**

2006/0268457 A1 11/2006 Sano

(75) Inventors: **Yoshiaki Kitajima**, Tokyo (JP); **Atsushi Shoji**, Tokyo (JP); **Masatoshi Shindoh**, Tokyo (JP)

FOREIGN PATENT DOCUMENTS

JP A-2006-332263 12/2006

(73) Assignee: **TDK Corporation**, Tokyo (JP)

OTHER PUBLICATIONS

(**) Term: **14 Years**

Sumida, Power Inductors<SMD Type:WCDRH Series, No. WCDRH23D09/HP, www.Sumida.com.*
Design of "Inductor"; Sumida 2007" General Products Catalog"; Domestic catalogue published by Sumida Electronic Co., Ltd; p. 5.

(21) Appl. No.: **29/300,286**

* cited by examiner

(22) Filed: **Mar. 10, 2008**

Primary Examiner—Prabhakar Deshmukh

Assistant Examiner—Derrick Holland

(30) **Foreign Application Priority Data**

(74) *Attorney, Agent, or Firm*—Oliff & Berridge, PLC

Oct. 15, 2007 (JP) 2007-028085

(57) **CLAIM**

(51) **LOC (9) Cl.** **13-02**

The ornamental design for coil unit, as shown and described.

(52) **U.S. Cl.** **D13/117**

(58) **Field of Classification Search** D13/117,

DESCRIPTION

D13/101, 199; 123/634; 250/231.12; 336/83,

FIG. 1 is a perspective view of coil unit showing our new design;

336/90, 92, 96, 160, 178, 192, 198, 200

FIG. 2 is a top plan view thereof;

See application file for complete search history.

FIG. 3 is a front elevation view, with the rear elevation view being a mirror image of the front elevation view thereof;

(56) **References Cited**

U.S. PATENT DOCUMENTS

FIG. 4 is a right side elevation view, with the left side elevation being a mirror image of the right side elevation view thereof; and,

D83,302 S * 2/1931 Blosser D13/117

FIG. 5 is a bottom plan view thereof.

5,463,999 A * 11/1995 Taruya et al. 123/647

1 Claim, 3 Drawing Sheets

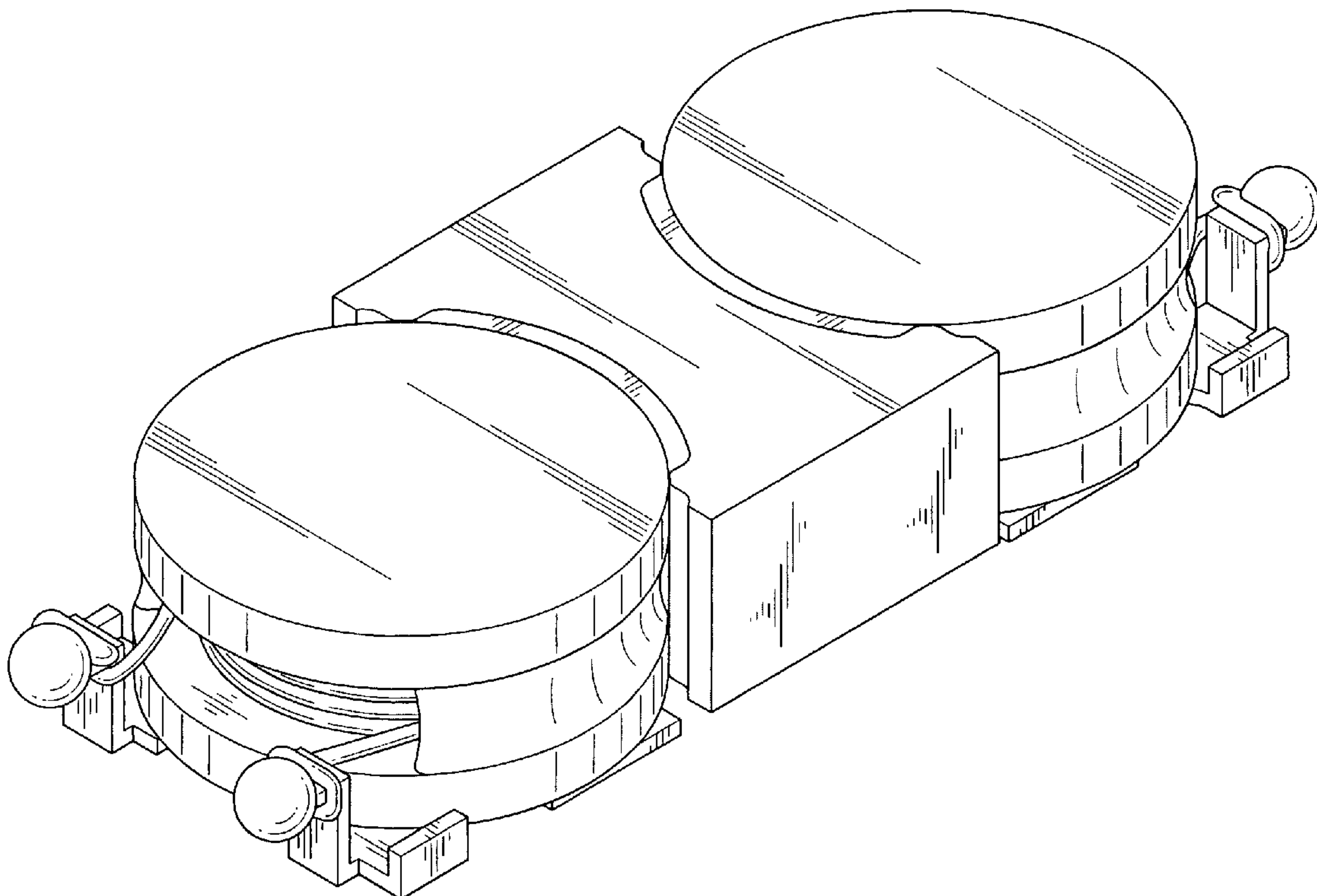
5,545,892 A * 8/1996 Bilinski et al. 250/231.12

5,552,756 A * 9/1996 Ushiro 336/200

D442,547 S * 5/2001 Takebuchi et al. D13/117

D463,364 S * 9/2002 Arens D13/117

6,791,445 B2 * 9/2004 Shibata et al. 336/90



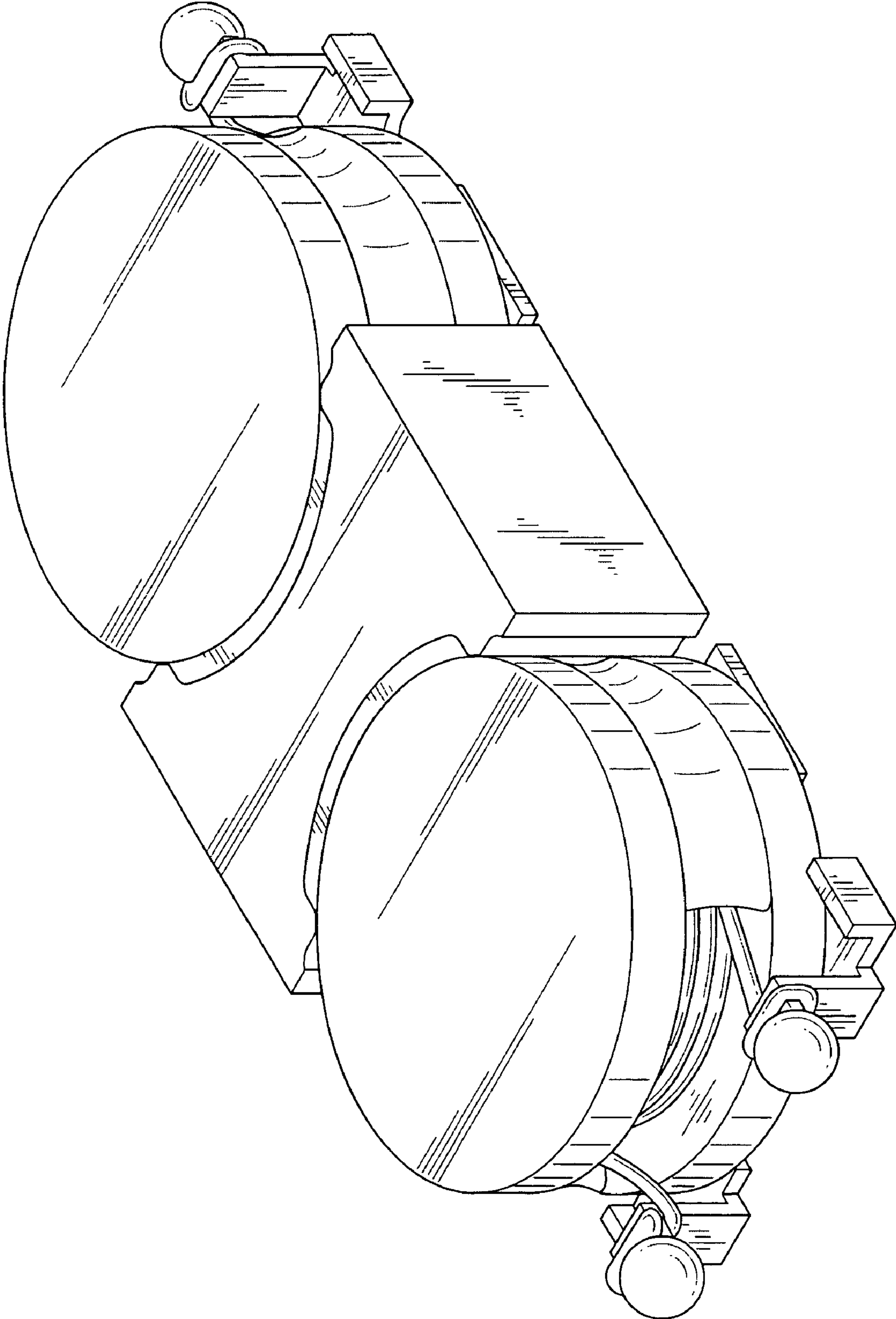


FIG. 1

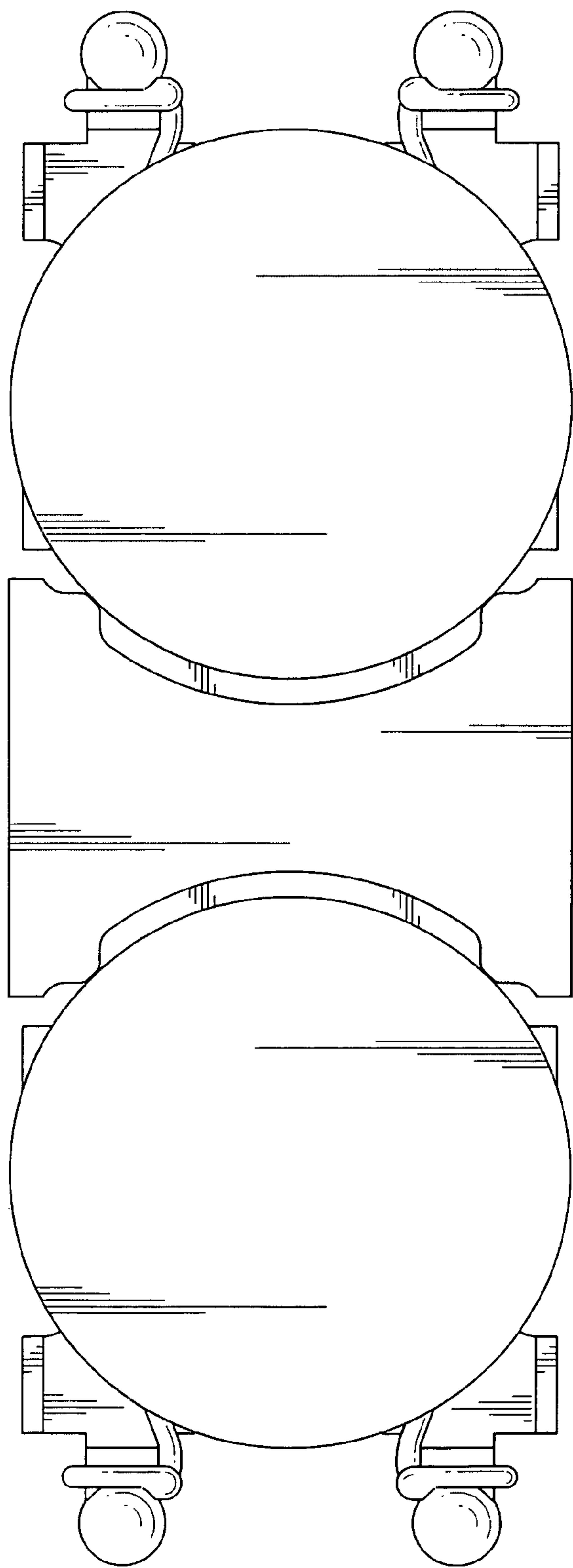


FIG. 2

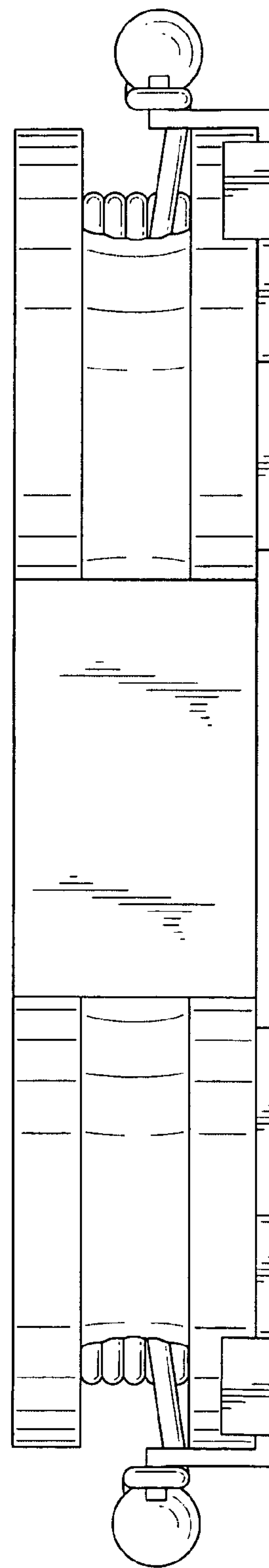


FIG. 3

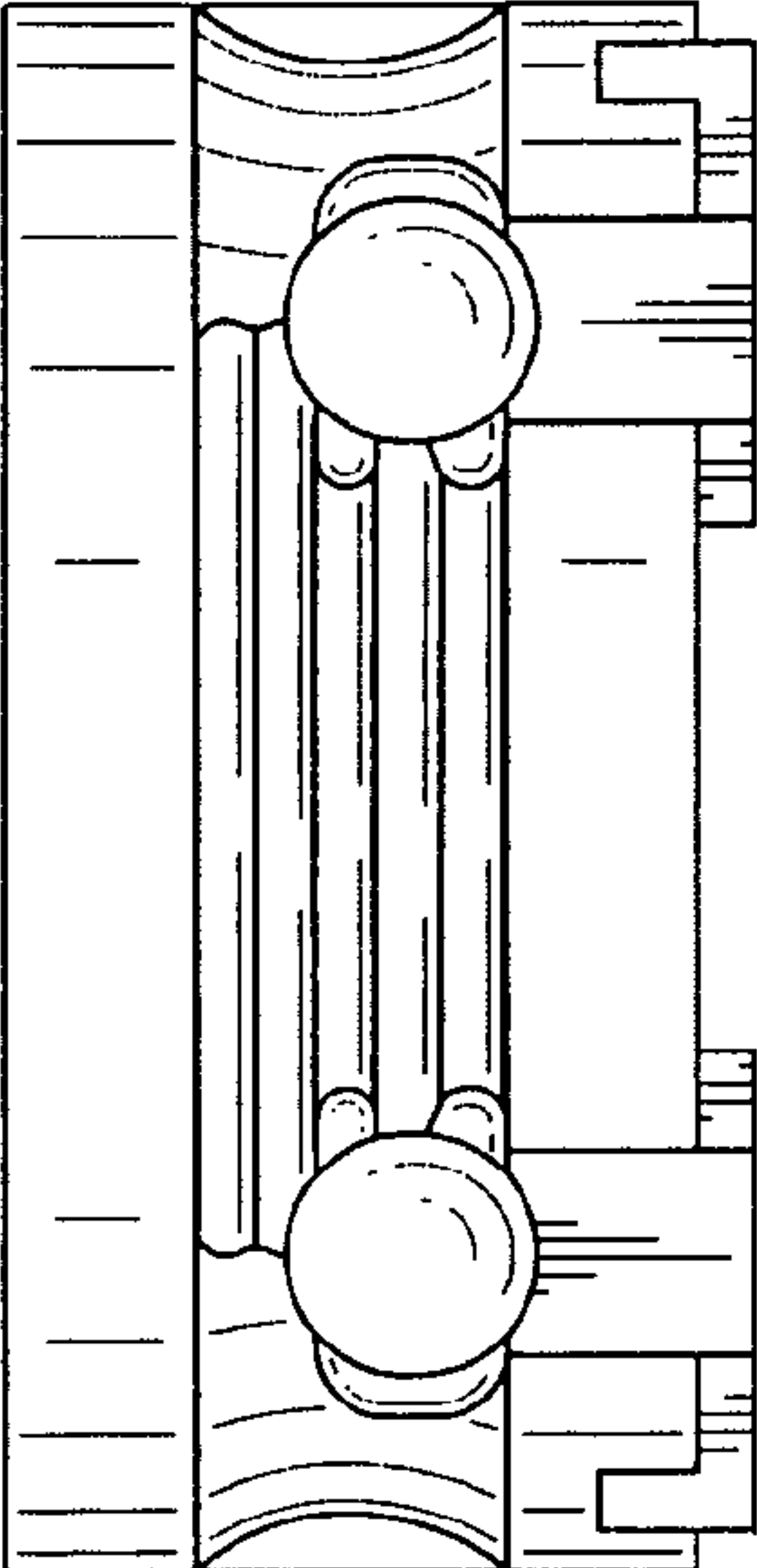


FIG. 4

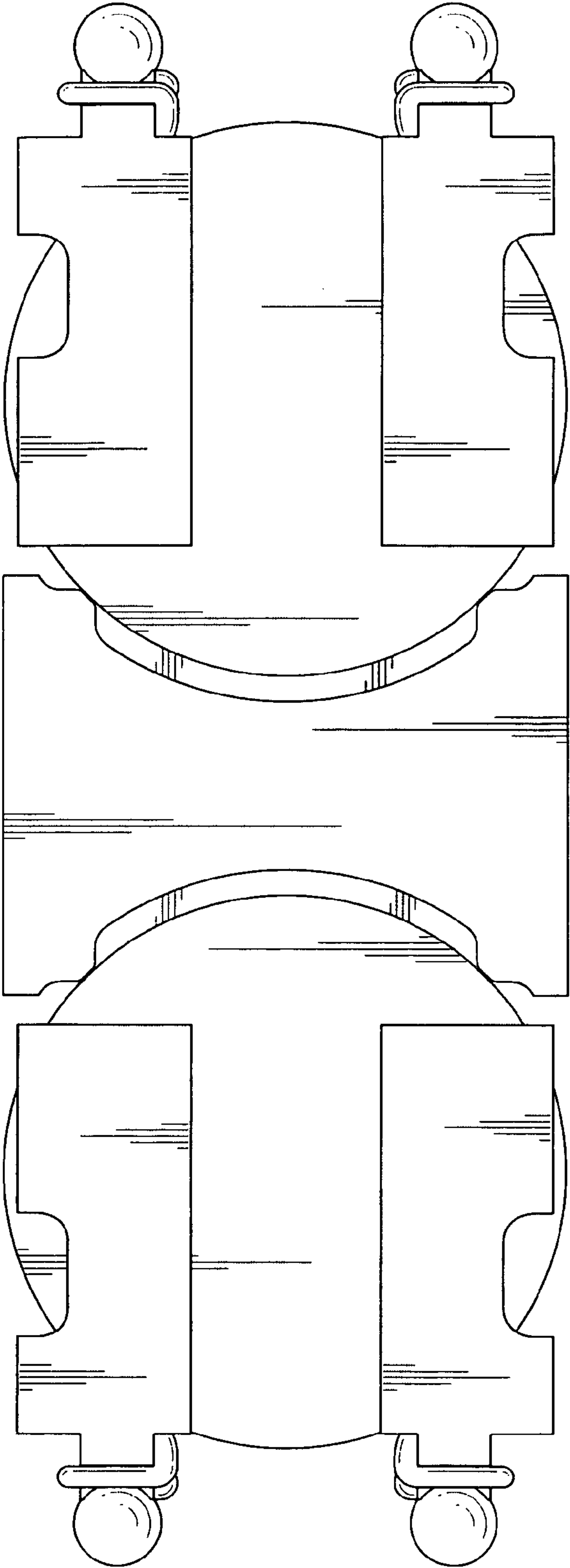


FIG. 5