

US00D596562S

(12) **United States Design Patent**
Hong et al.

(10) **Patent No.:** **US D596,562 S**
(45) **Date of Patent:** **** Jul. 21, 2009**

(54) **POWER ADAPTER**

(75) Inventors: **Fu-Long Hong**, Taoyuan County (TW);
Hsiao-Chuan Huang, Taoyuan County (TW);
Yi-Bin Ho, Taoyuan County (TW);
Hung-Yi Huang, Taoyuan County (TW);
Hung-Yu Chen, Taoyuan County (TW);
Meng-Sheng Chiang, Taoyuan County (TW);
Po-Lin Ho, Taoyuan County (TW)

(73) Assignee: **HTC Corporation**, Taoyuan County (TW)

(**) Term: **14 Years**

(21) Appl. No.: **29/321,876**

(22) Filed: **Jul. 24, 2008**

(30) **Foreign Application Priority Data**

Mar. 31, 2008 (TW) 97301888

(51) **LOC (9) Cl.** **13-02**

(52) **U.S. Cl.** **D13/110; D13/108**

(58) **Field of Classification Search** D13/107-110,
D13/118-119, 133, 137.1-139.8, 184; D14/224,
D14/251, 253, 432-434; 320/107-115; 174/53-58,
174/66; 439/105-107, 535, 650-655, 692;
307/64, 85, 150, 151; 363/143, 146

See application file for complete search history.

(56) **References Cited**

U.S. PATENT DOCUMENTS

D212,233 S * 9/1968 Mas D13/110
D314,368 S * 2/1991 Schwartz D13/137.3

D406,259 S * 3/1999 Lindahl D13/110
D427,965 S * 7/2000 Wu D13/107
D428,862 S * 8/2000 Queffelec et al. D13/184
D452,842 S * 1/2002 Kajiwara et al. D13/110
D456,008 S * 4/2002 Kawanobe et al. D13/110
D473,515 S * 4/2003 Salazar et al. D13/107
D503,679 S * 4/2005 Andre et al. D13/110
D575,775 S * 8/2008 Sekine D14/242

* cited by examiner

Primary Examiner—Jennifer Rivard

Assistant Examiner—Rosemary K Tarcza

(74) *Attorney, Agent, or Firm*—Jianq Chyun IP Office

(57) **CLAIM**

The ornamental design for a power adapter, as shown and described.

DESCRIPTION

The claimed power adapter is used to be plugged in for charging an electronic device with a wire connected therebetween.

FIG. 1 is a perspective view of a power adapter showing our new design;

FIG. 2 is a front view thereof;

FIG. 3 is a rear view thereof;

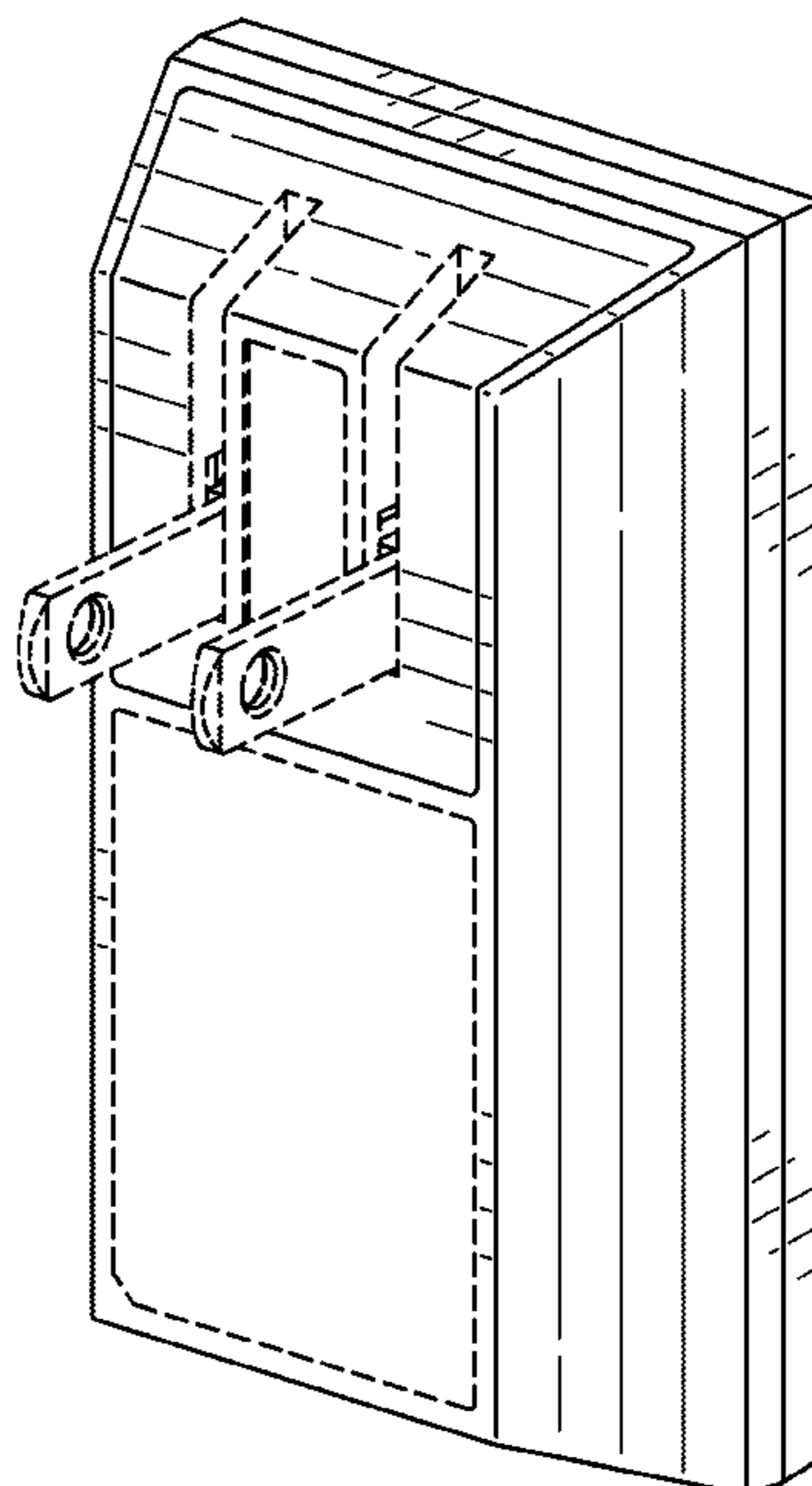
FIG. 4 is a left side view thereof, the right side view being a mirror image of the left side view;

FIG. 5 is a top view thereof; and,

FIG. 6 is a bottom view thereof.

The broken lines shown in the figures are for illustrative purposes only and do not form part of the claimed design.

1 Claim, 5 Drawing Sheets



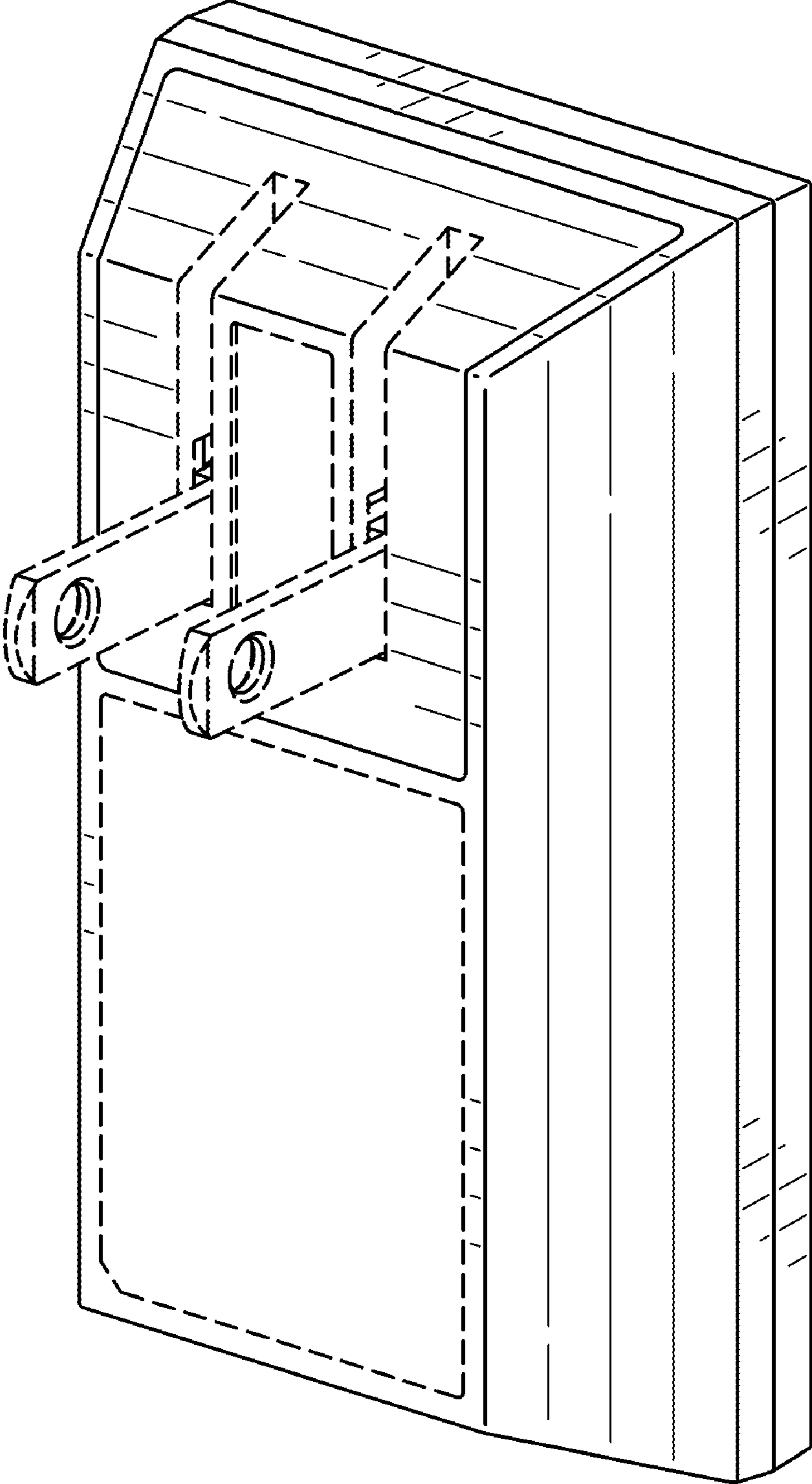


FIG. 1

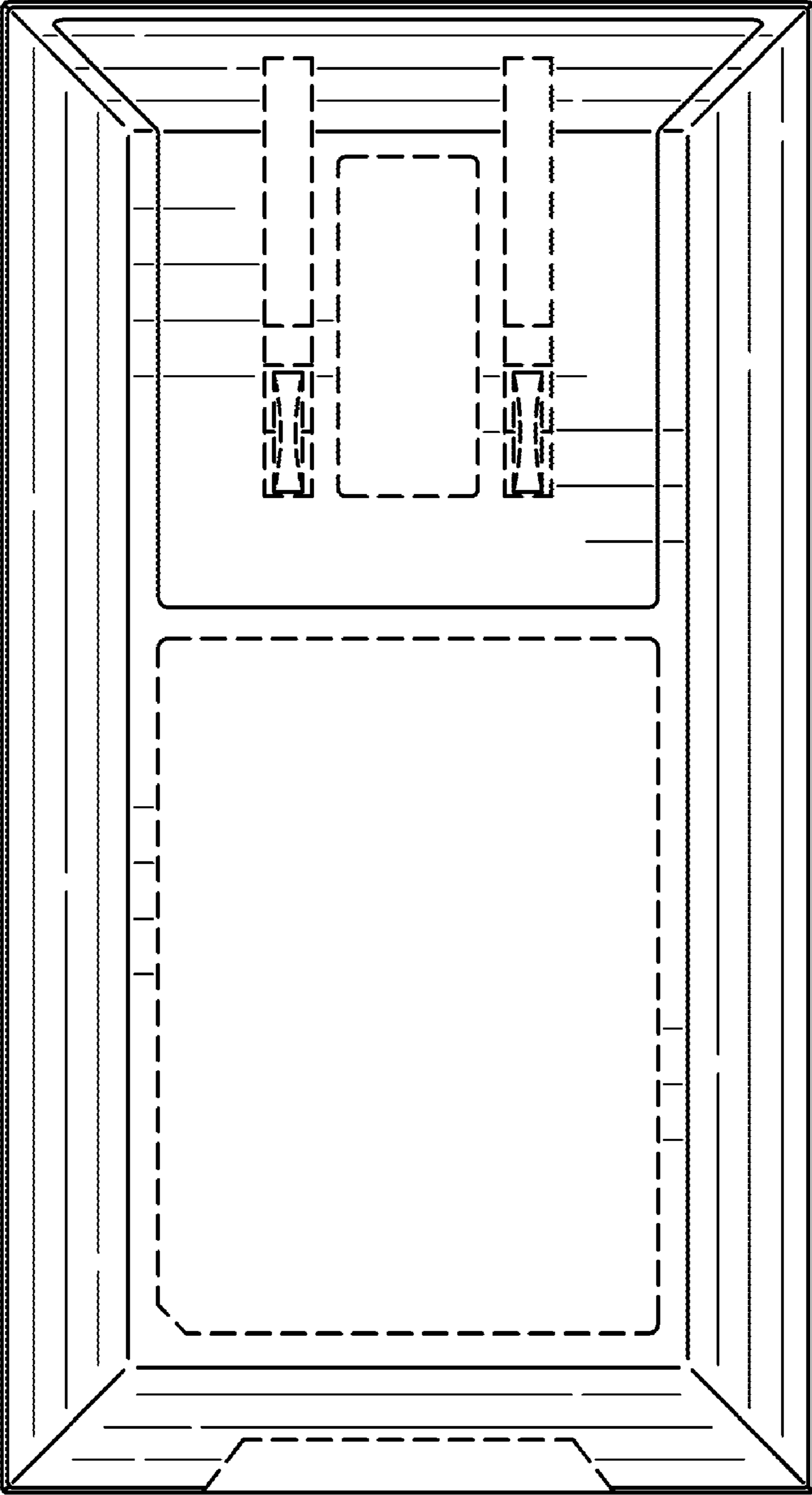


FIG. 2

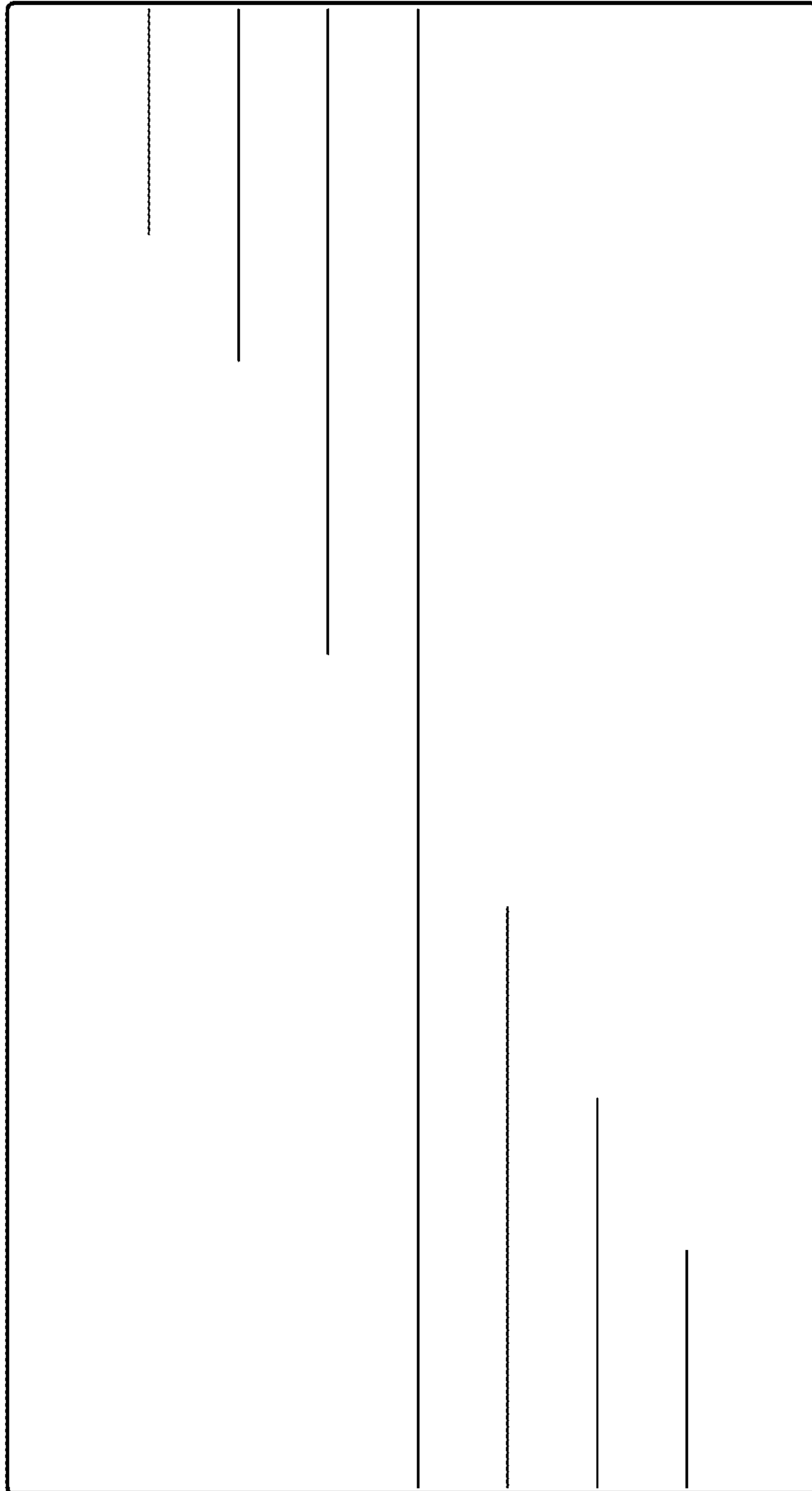


FIG. 3

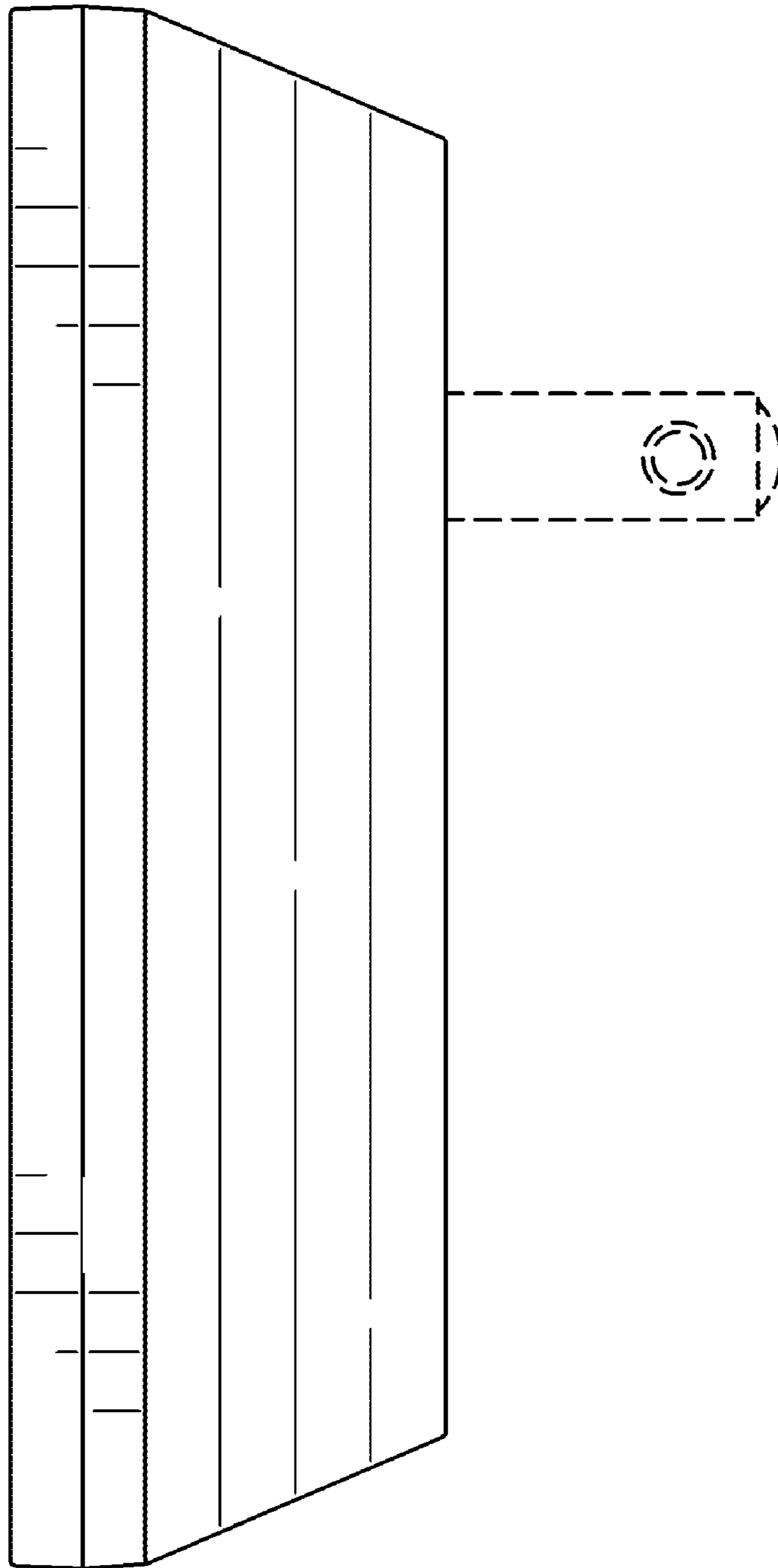


FIG. 4

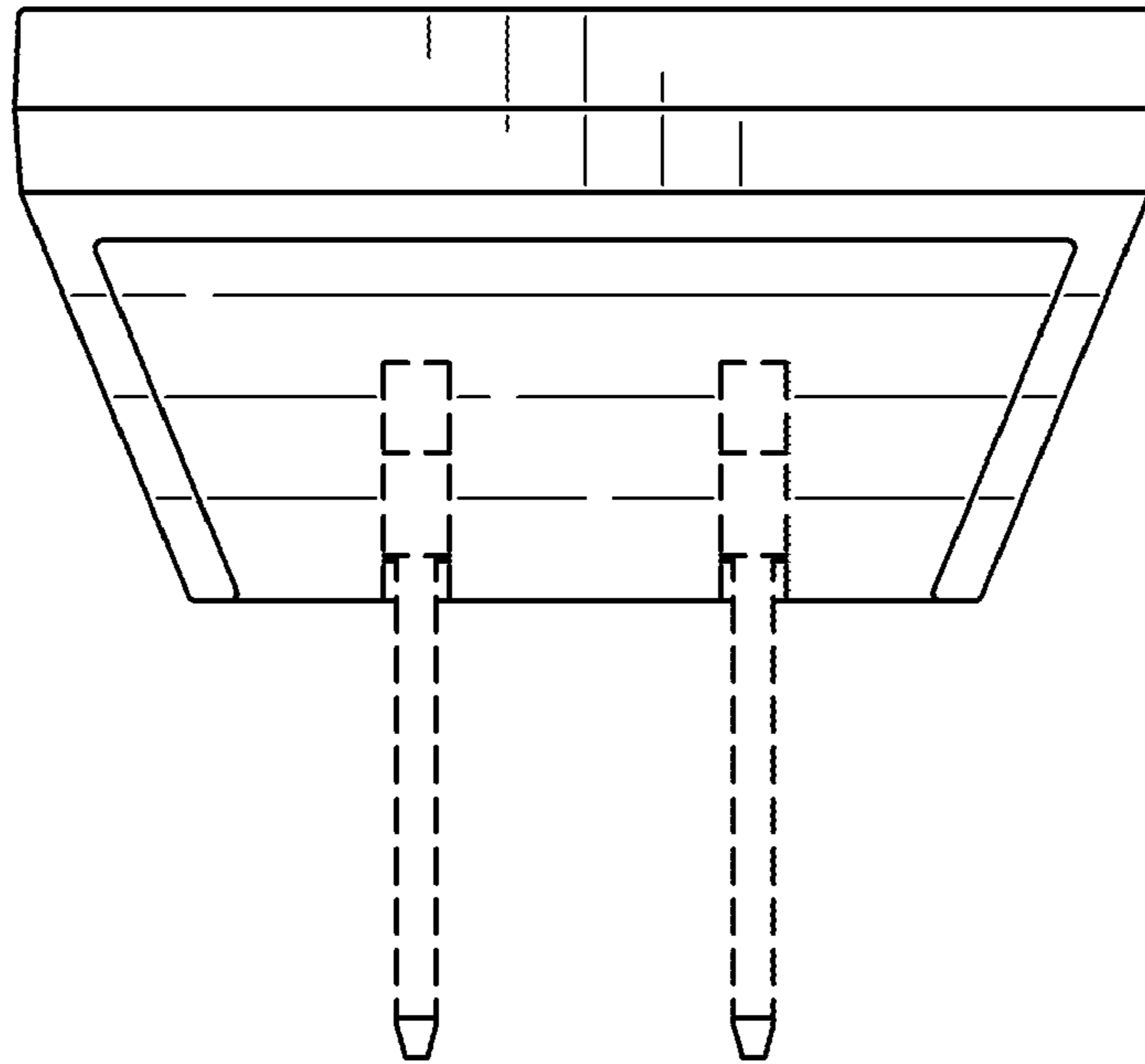


FIG. 5

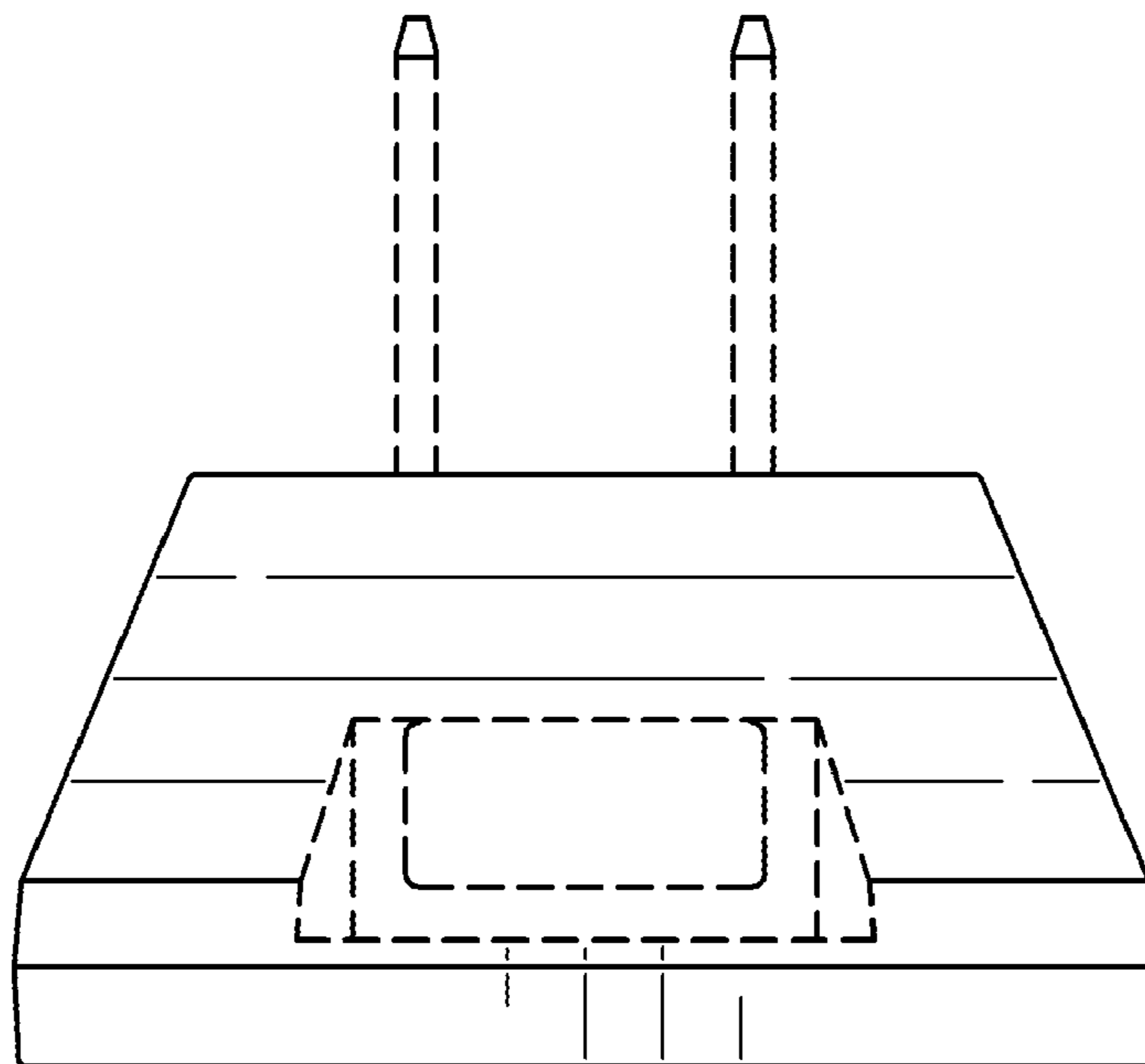


FIG. 6