



US00D596561S

(12) **United States Design Patent**
Chon et al.

(10) **Patent No.:** **US D596,561 S**
(45) **Date of Patent:** **** Jul. 21, 2009**

(54) **CHARGER FOR HEADSET**

(75) Inventors: **Alex Chon**, Rancho Dominguez, CA (US); **Wesley Millora**, Cypress, CA (US); **Rudy Widiaman**, Rancho Dominguez, CA (US); **Hyo-Keun Ahn**, Rancho Dominguez, CA (US); **Simon Kang**, Rancho Dominguez, CA (US); **Steven Tkachuk**, Los Angeles, CA (US); **Mark Sterzick**, Rancho Dominguez, CA (US); **Naoki Shimada**, Rancho Dominguez, CA (US); **Dimitre Mehandjiysky**, Rancho Dominguez, CA (US)

(73) Assignee: **Samsung Electronics Co., Ltd.**, Suwon-Si (KR)

(**) Term: **14 Years**

(21) Appl. No.: **29/328,043**

(22) Filed: **Nov. 18, 2008**

(30) **Foreign Application Priority Data**
Aug. 29, 2008 (KR) 30-2008-0037516

(51) **LOC (9) Cl.** **13-02**

(52) **U.S. Cl.** **D13/108**

(58) **Field of Classification Search** D13/107-110, D13/118-119, 184; D14/251, 253, 432, D14/434; 320/107-115
See application file for complete search history.

(56) **References Cited**

U.S. PATENT DOCUMENTS

D459,299 S * 6/2002 Hughes et al. D13/108

D504,868 S * 5/2005 Lodato et al. D13/107
D521,927 S * 5/2006 Franck et al. D13/108
D525,583 S * 7/2006 Vu D13/108
D537,409 S * 2/2007 Suzuki D13/108
D558,207 S * 12/2007 Ikeda et al. D14/434
D558,208 S * 12/2007 Ikeda et al. D14/434
D558,209 S * 12/2007 Ikeda et al. D14/434
D575,289 S * 8/2008 Kuo et al. D14/434
D578,061 S * 10/2008 Kristensen D13/110

* cited by examiner

Primary Examiner—Jennifer Rivard
Assistant Examiner—Rosemary K Tarcza
(74) *Attorney, Agent, or Firm*—Staas & Halsey LLP

(57) **CLAIM**

The ornamental design for a charger for headset, as shown and described.

DESCRIPTION

FIG. 1 is a perspective view of a charger for headset;
FIG. 2 is a front view of the charger for headset of FIG. 1;
FIG. 3 is a rear view of the charger for headset of FIG. 1;
FIG. 4 is a left-side view of the charger for headset of FIG. 1;
FIG. 5 is a right-side view of the charger for headset of FIG. 1;
FIG. 6 is a top plan view of the charger for headset of FIG. 1;
FIG. 7 is a bottom plan view of the charger for headset of FIG. 1; and,
FIG. 8 is a front view of the charger for headset of FIG. 1.
The broken line showing of the headset in FIG. 8 is for the purpose of illustrating environmental structure and forms no part of the claimed design.

1 Claim, 5 Drawing Sheets

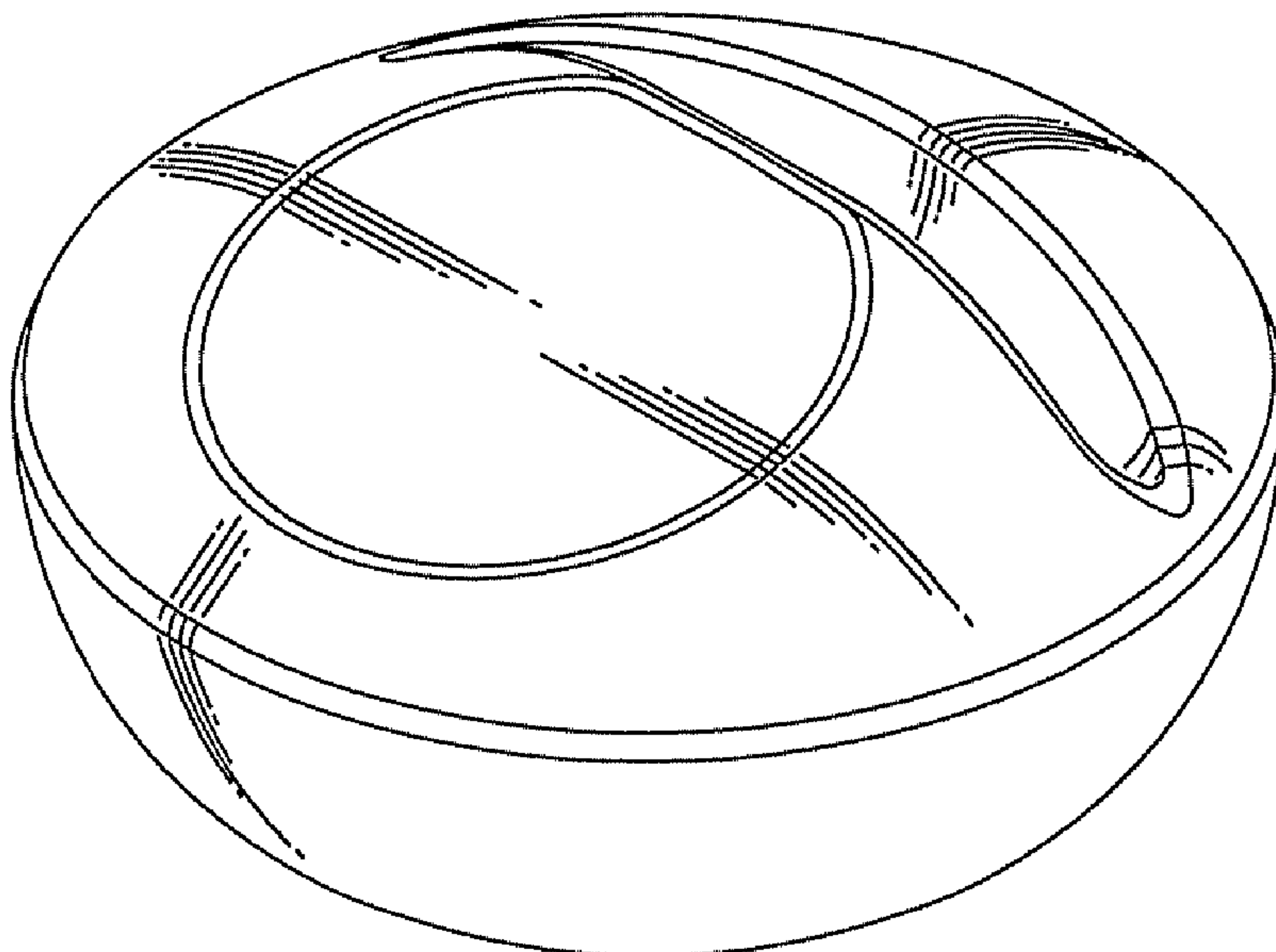


FIG. 1

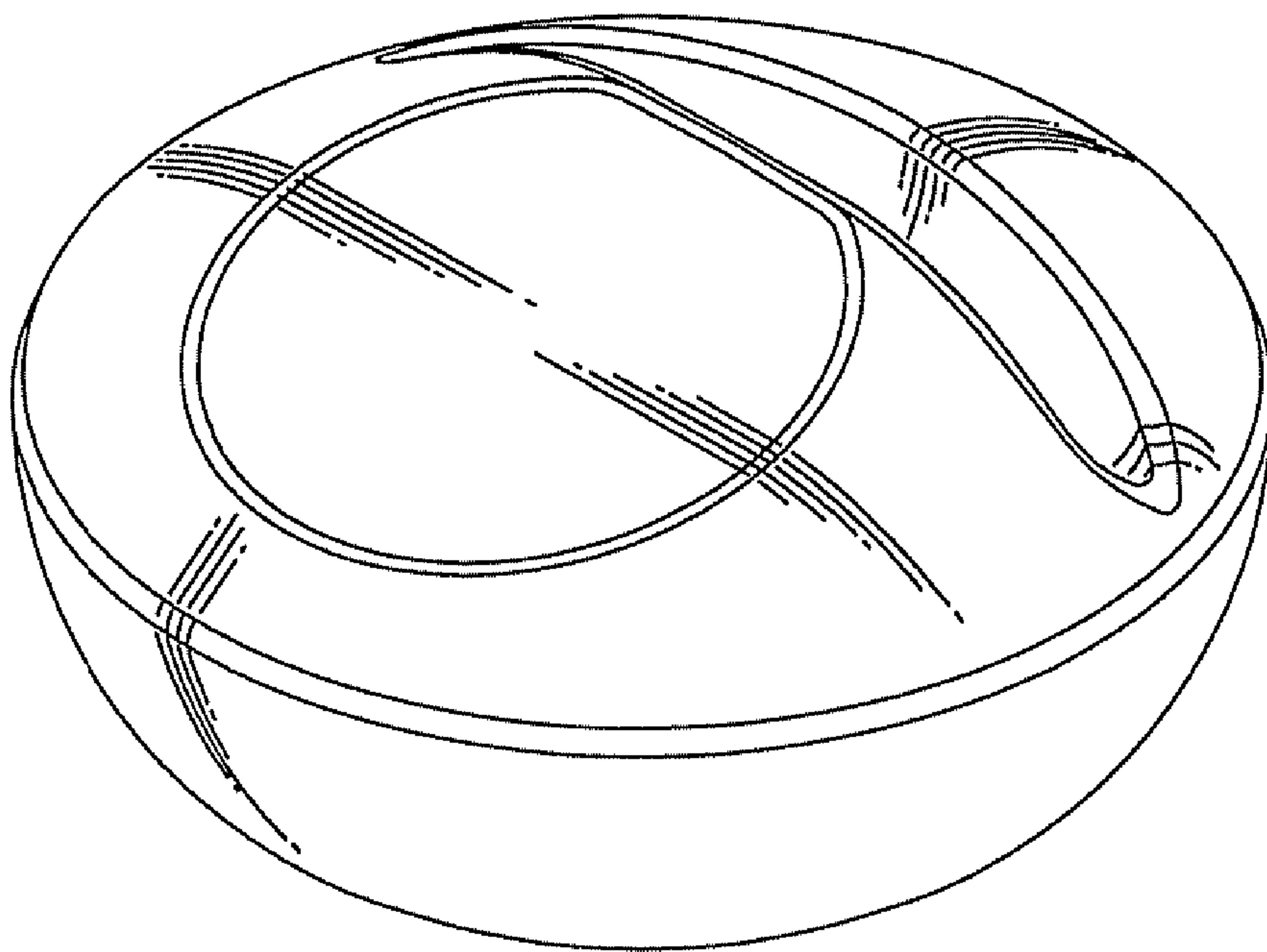


FIG. 2

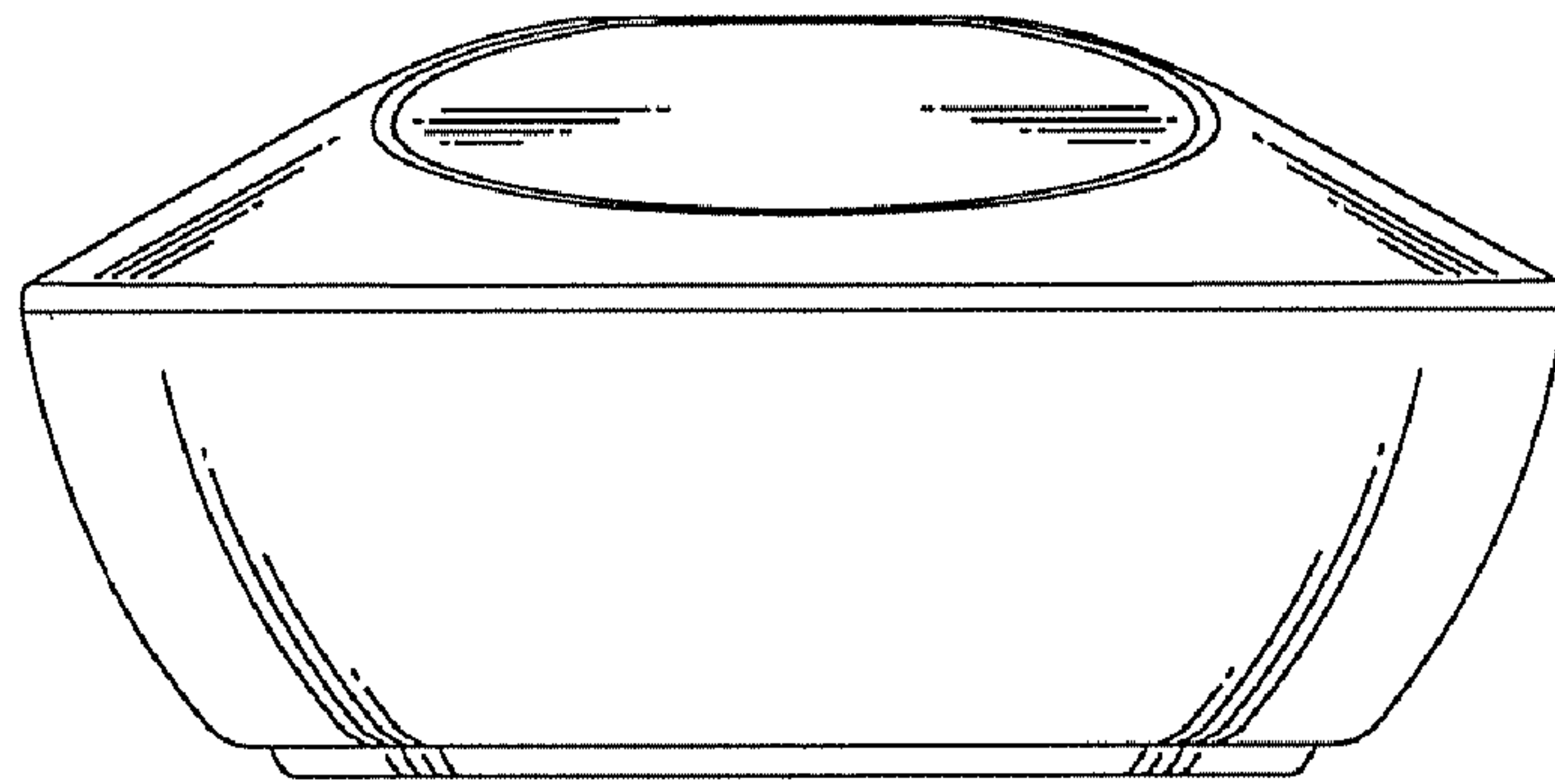


FIG. 3

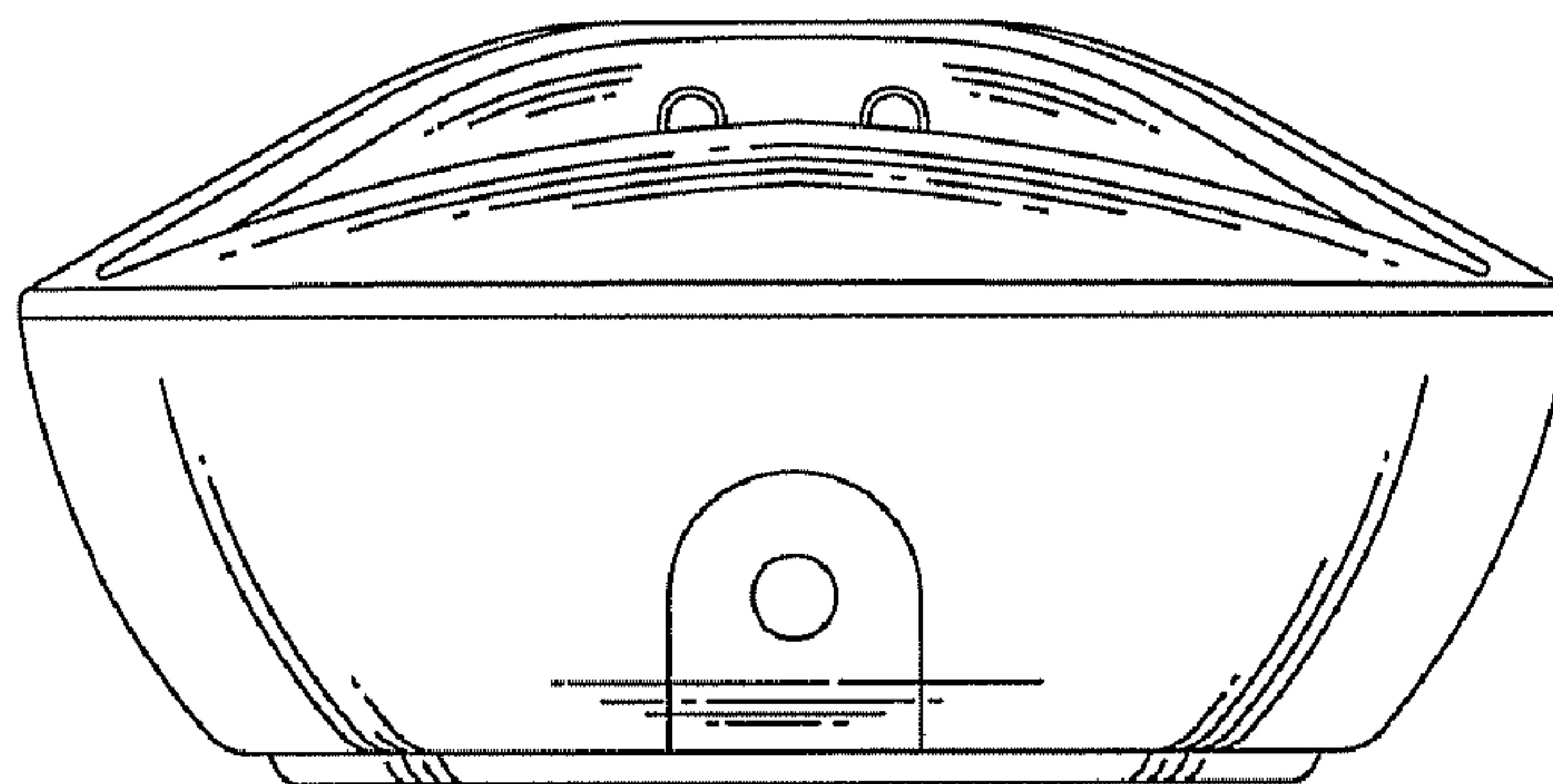


FIG. 4

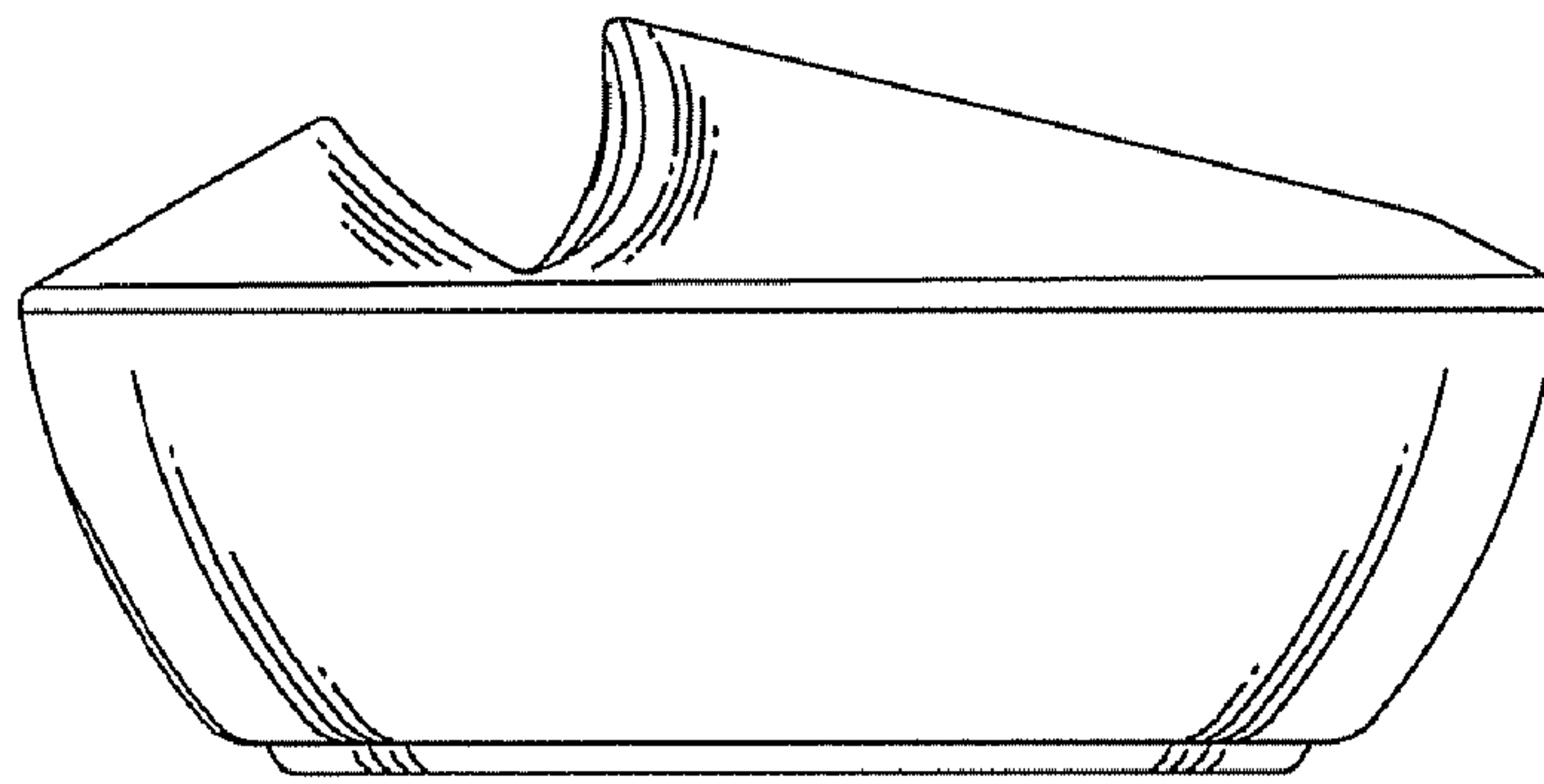


FIG. 5

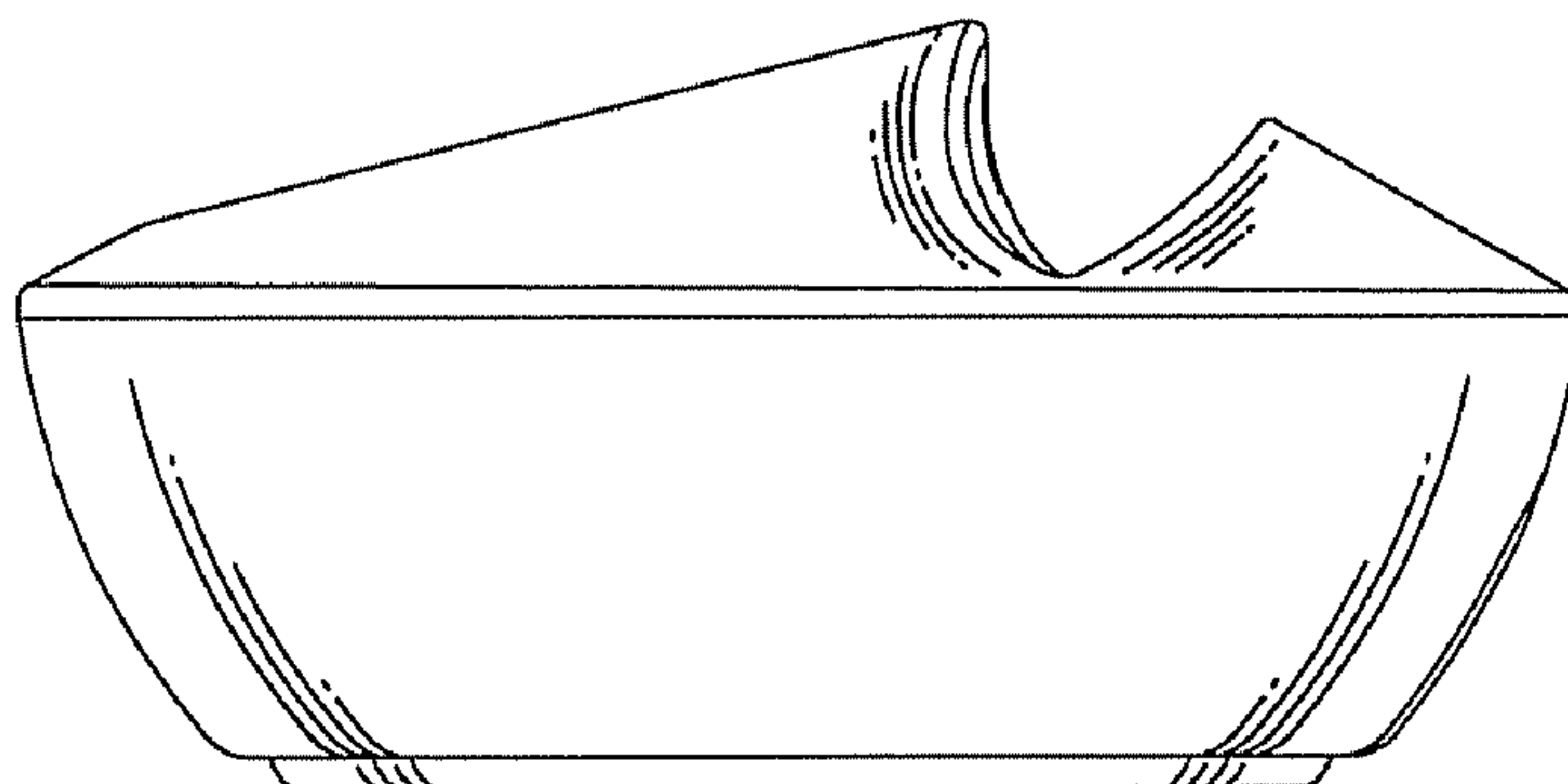


FIG. 6

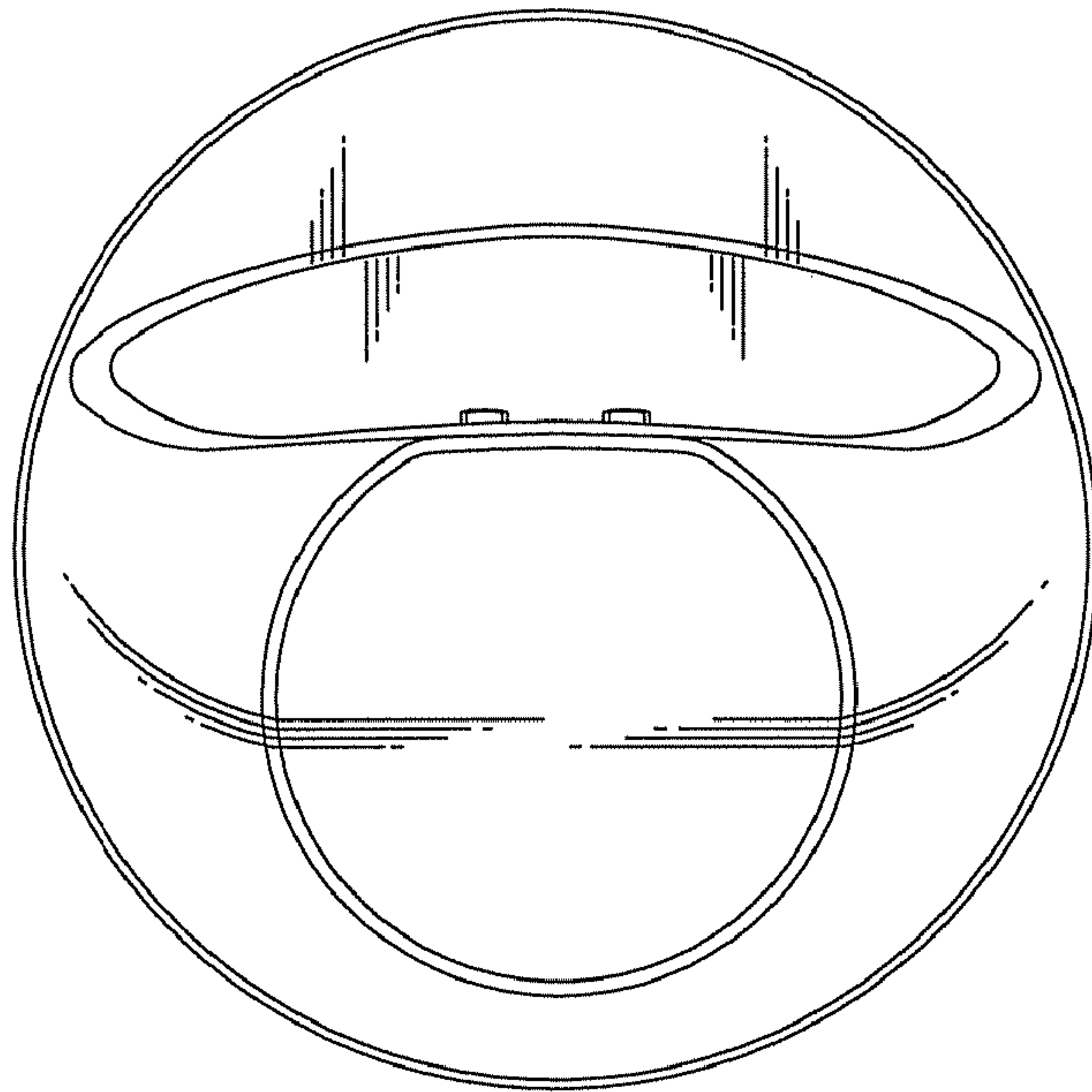


FIG. 7

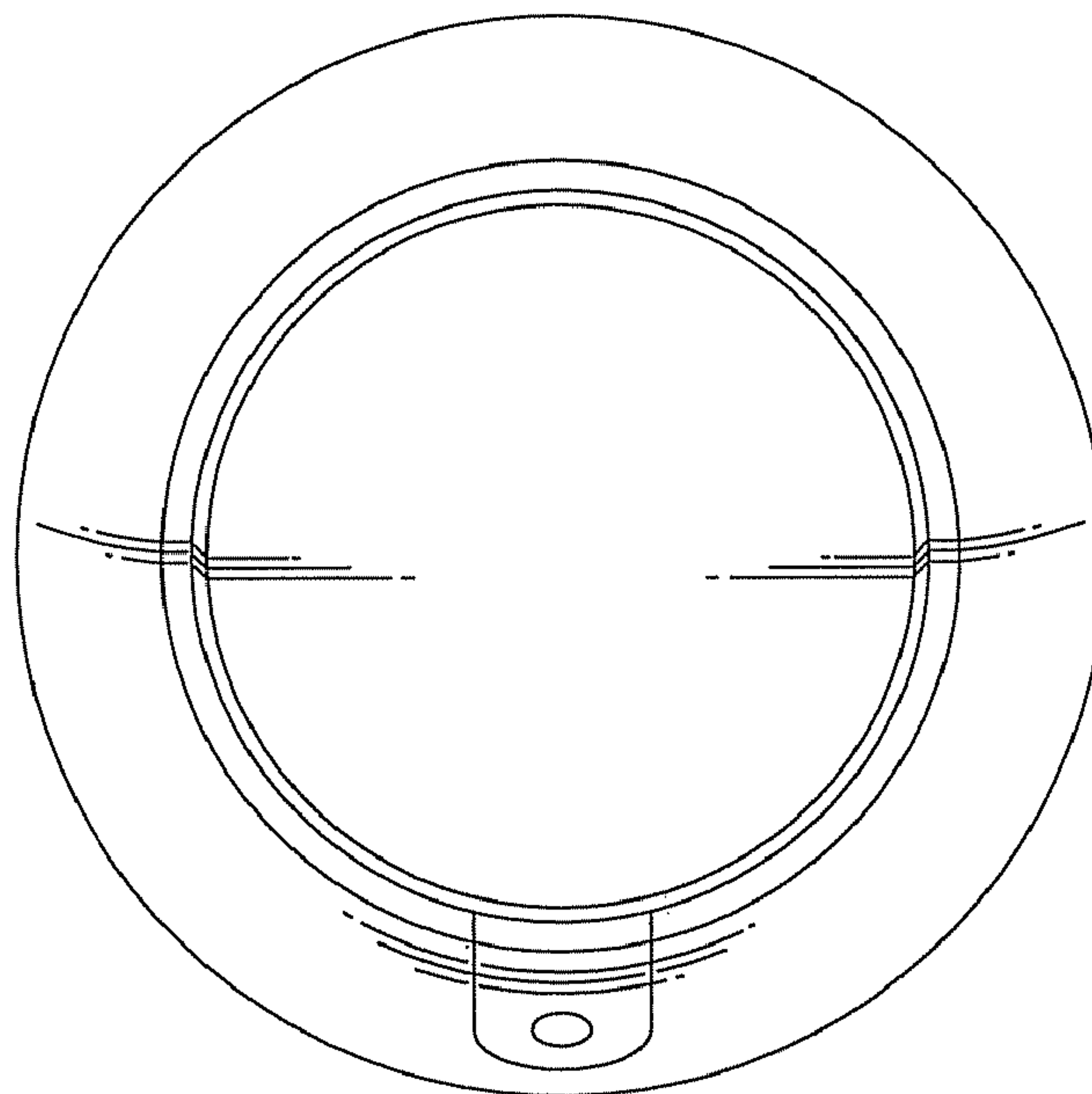


FIG. 8

