



US00D596556S

(12) **United States Design Patent**  
**Kuwano**

(10) **Patent No.:** **US D596,556 S**  
(45) **Date of Patent:** **\*\* Jul. 21, 2009**

(54) **AUTOMOBILE TIRE**

D555,574 S \* 11/2007 Krupa et al. .... D12/521

(75) Inventor: **Shingo Kuwano**, Osaka (JP)

FOREIGN PATENT DOCUMENTS

(73) Assignee: **Toyo Tire & Rubber Co., Ltd.**, Osaka (JP)

JP D1171470 S 4/2003  
JP D1303145 S 6/2007

(\*\*) Term: **14 Years**

\* cited by examiner

(21) Appl. No.: **29/321,139**

*Primary Examiner*—Stacia Cadmus  
(74) *Attorney, Agent, or Firm*—Westerman, Hattori, Daniels & Adrian, LLP.

(22) Filed: **Jul. 11, 2008**

(57) **CLAIM**

(30) **Foreign Application Priority Data**

The ornamental design for an automobile tire, as shown and described.

Jun. 24, 2008 (JP) ..... 2008-016094

(51) **LOC (9) Cl.** ..... **12-15**

(52) **U.S. Cl.** ..... **D12/521**

(58) **Field of Classification Search** ..... D12/500–501,  
D12/505–506, 514–532; 152/209.1, 209.8–209.18,  
152/209.25–209.28, 455

See application file for complete search history.

**DESCRIPTION**

(56) **References Cited**

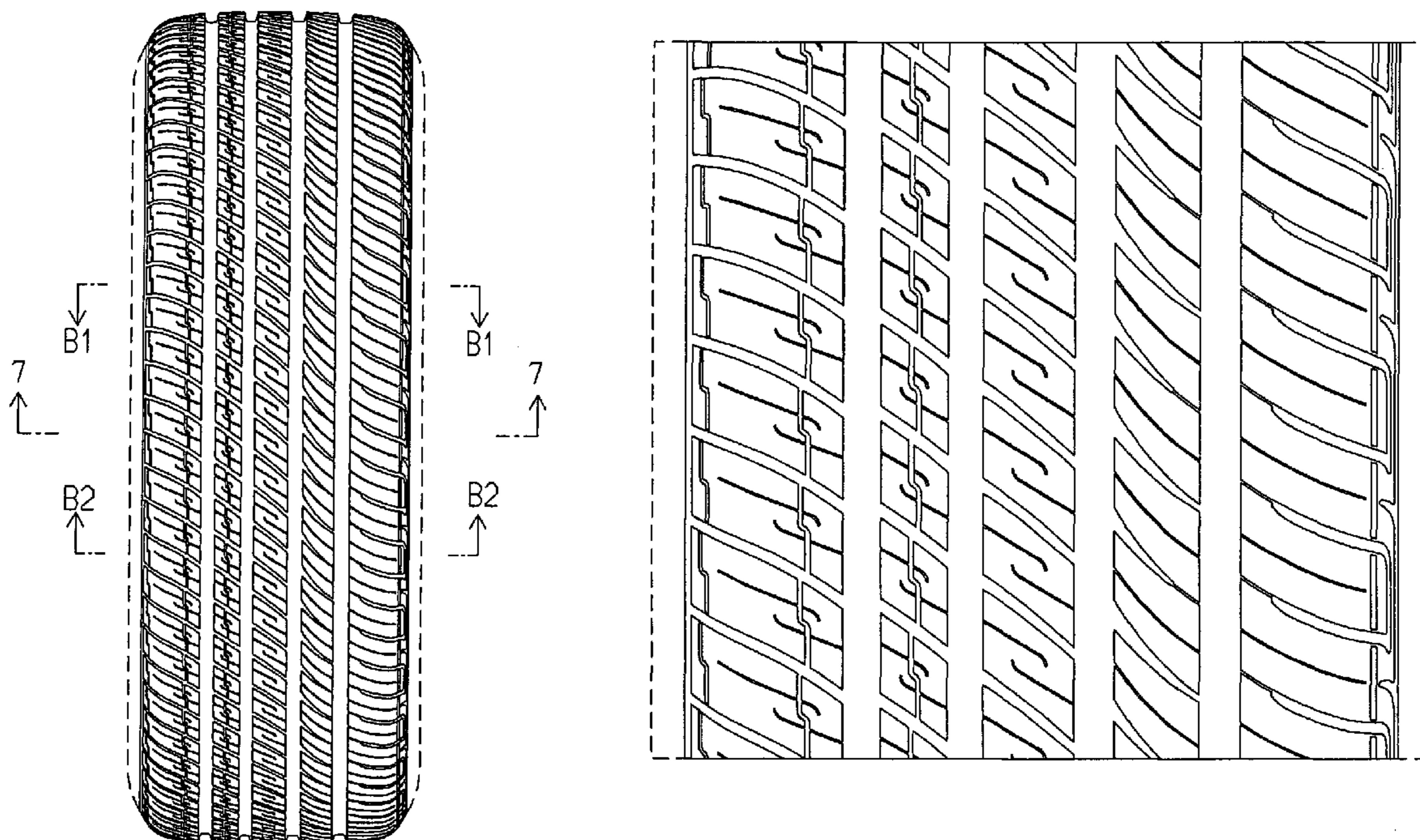
U.S. PATENT DOCUMENTS

- D418,785 S 1/2000 Lovell et al.
- D432,957 S \* 10/2000 Ricquet ..... D12/521
- D502,441 S \* 3/2005 Lo ..... D12/521
- D515,020 S \* 2/2006 Fukunaga ..... D12/521
- D525,186 S \* 7/2006 Martin ..... D12/521
- D545,264 S \* 6/2007 Takahashi et al. .... D12/532
- D545,756 S \* 7/2007 Feider et al. .... D12/521

FIG. 1 is a front view of the automobile tire;  
FIG. 2 is a rear view of the automobile tire;  
FIG. 3 is a left-side view of the automobile tire;  
FIG. 4 is a right-side view of the automobile tire;  
FIG. 5 is a top view of the automobile tire;  
FIG. 6 is a perspective view of the automobile tire;  
FIG. 7 is an enlarged cross-section view taken along the line 7—7 in FIG. 1 in the part C—C of in FIG. 3; and,  
FIG. 8 is an enlarged view of the part B1—B2 in FIG. 1.

In the drawings, the broken lines defining the sidewall and inner bead depict environmental subject matter that forms no part of the claimed design.

**1 Claim, 8 Drawing Sheets**



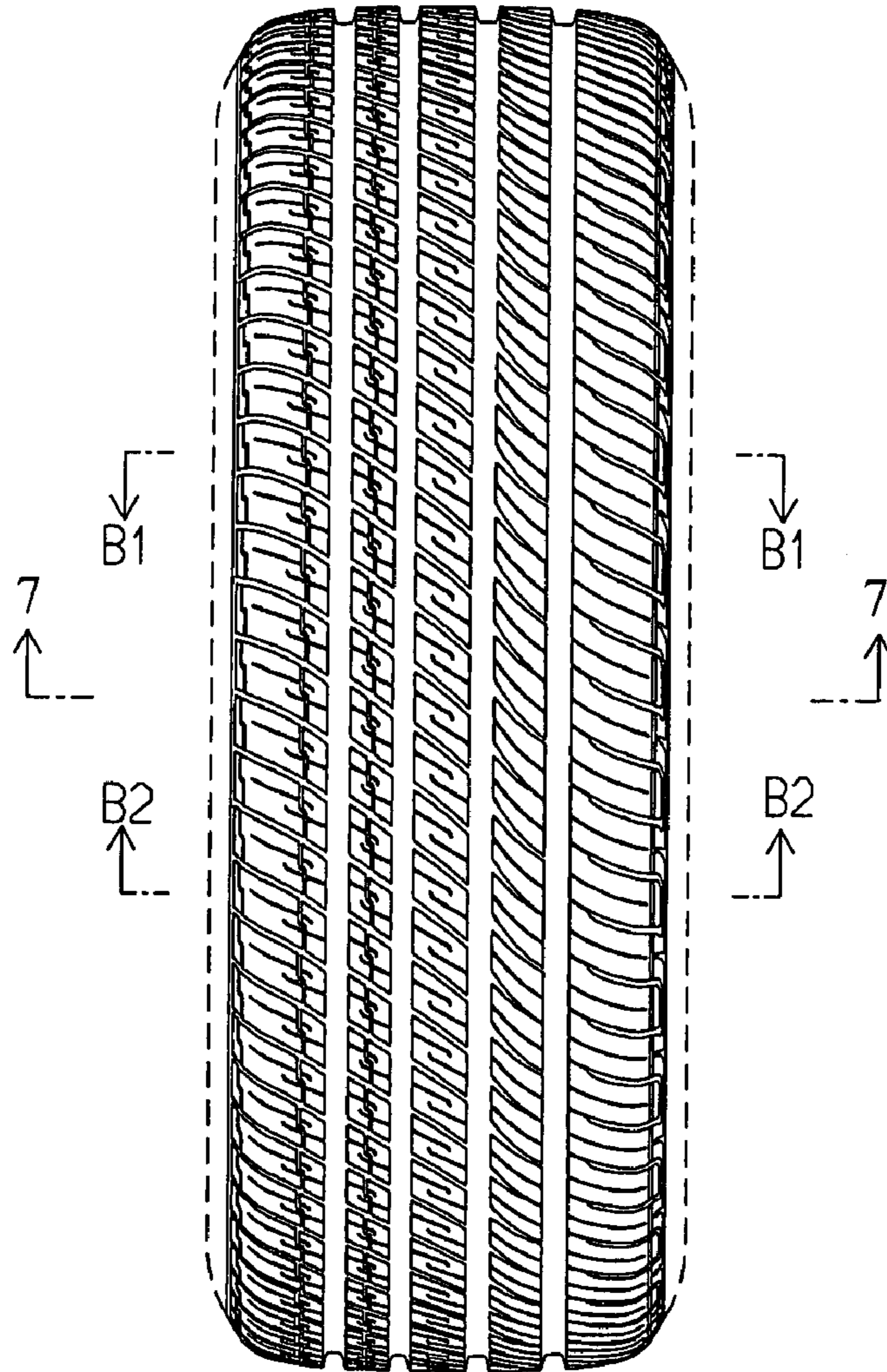


FIG. 1

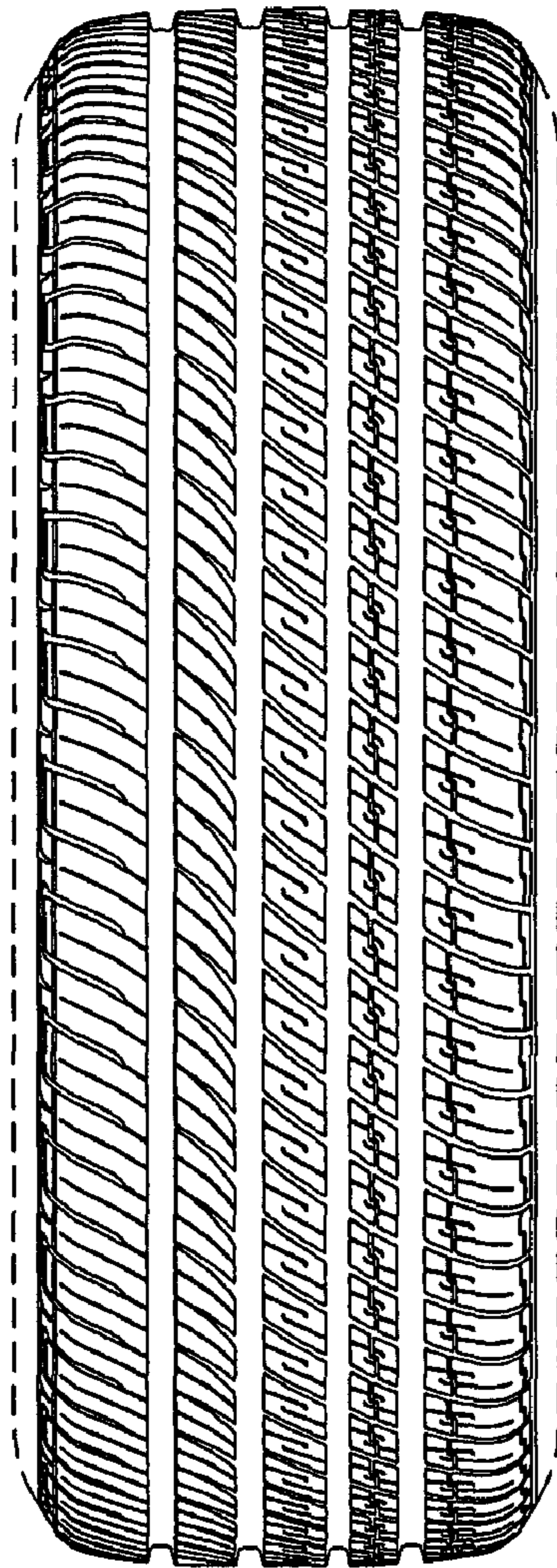


FIG.2

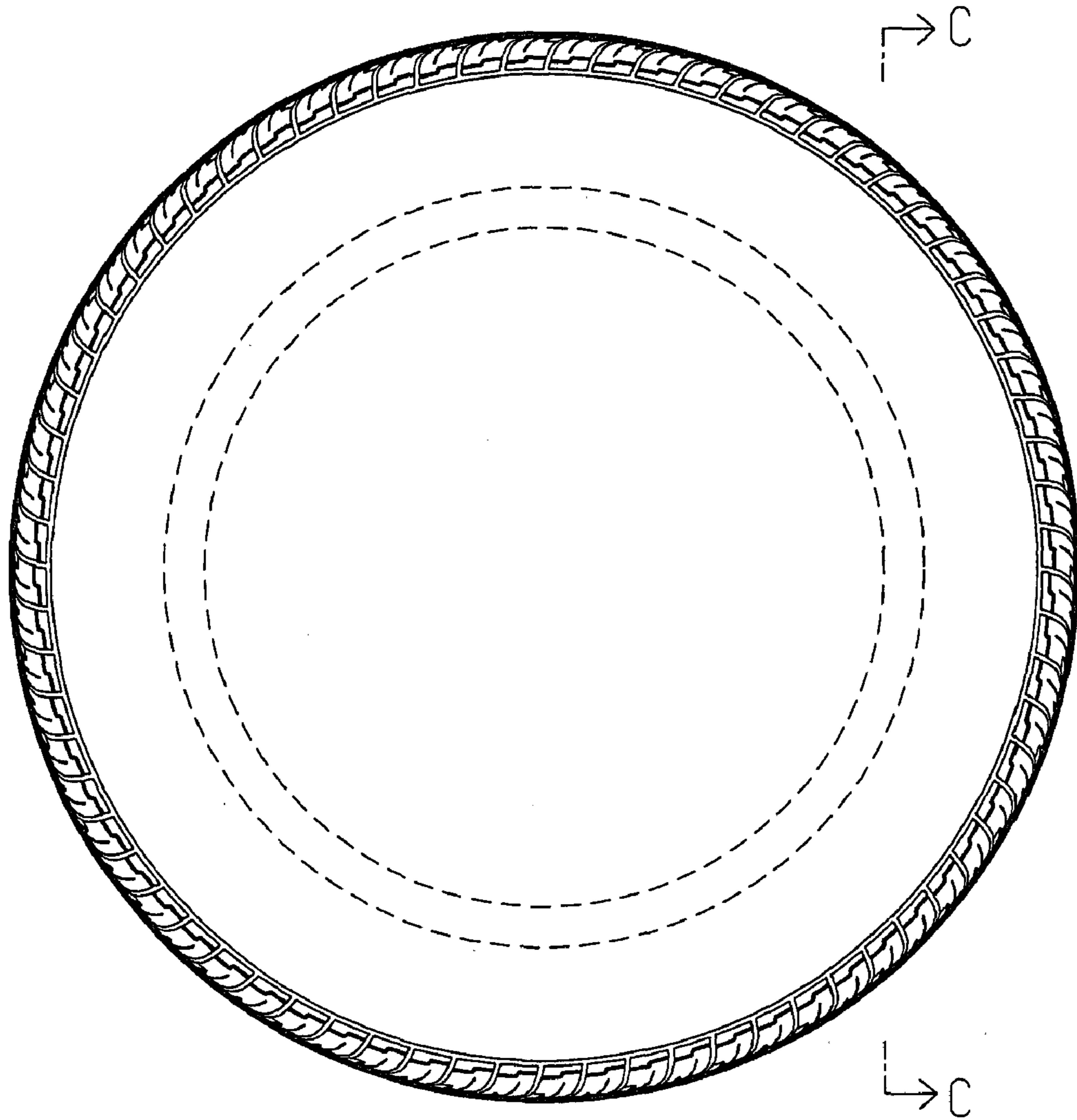


FIG.3

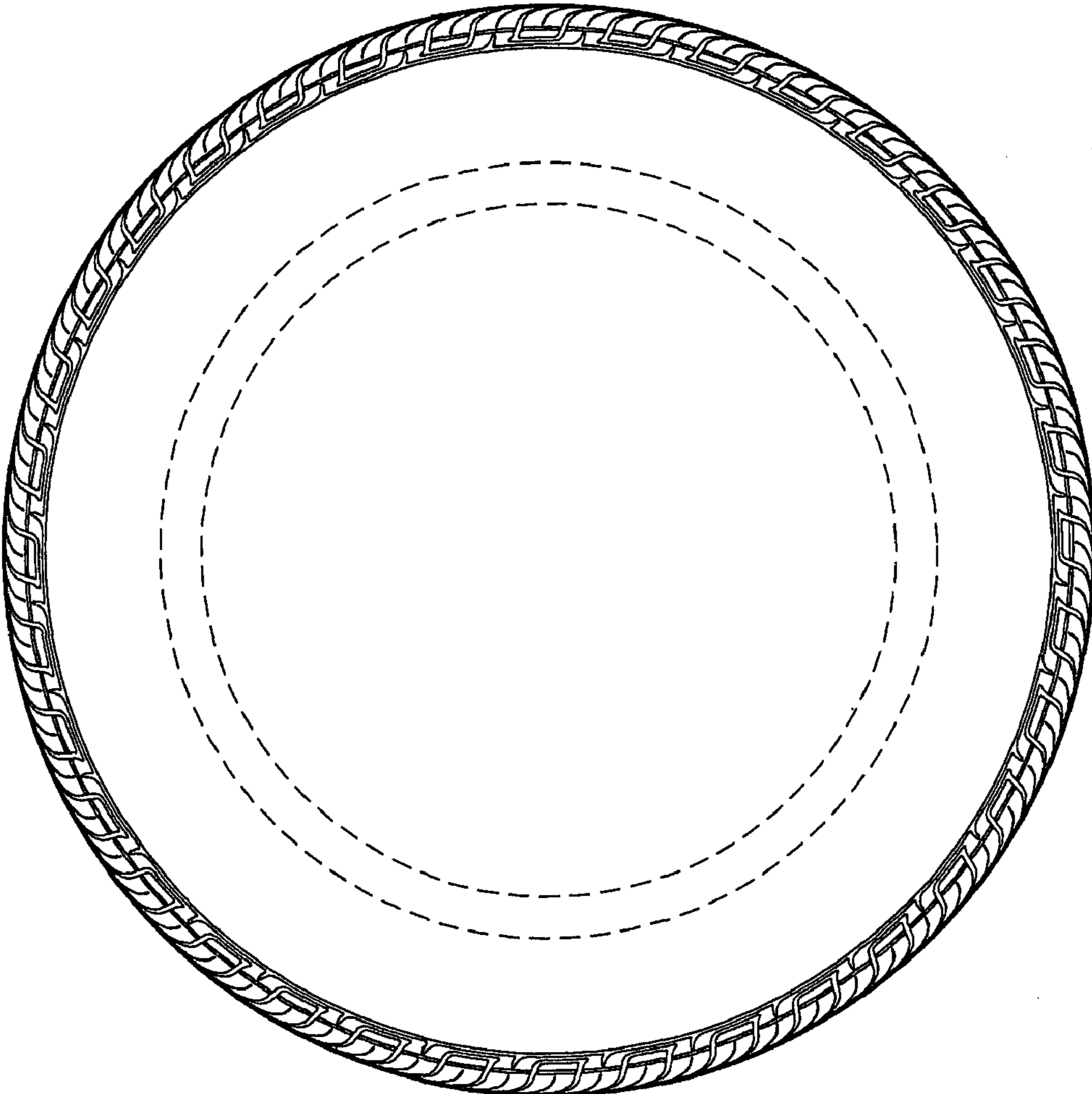


FIG.4

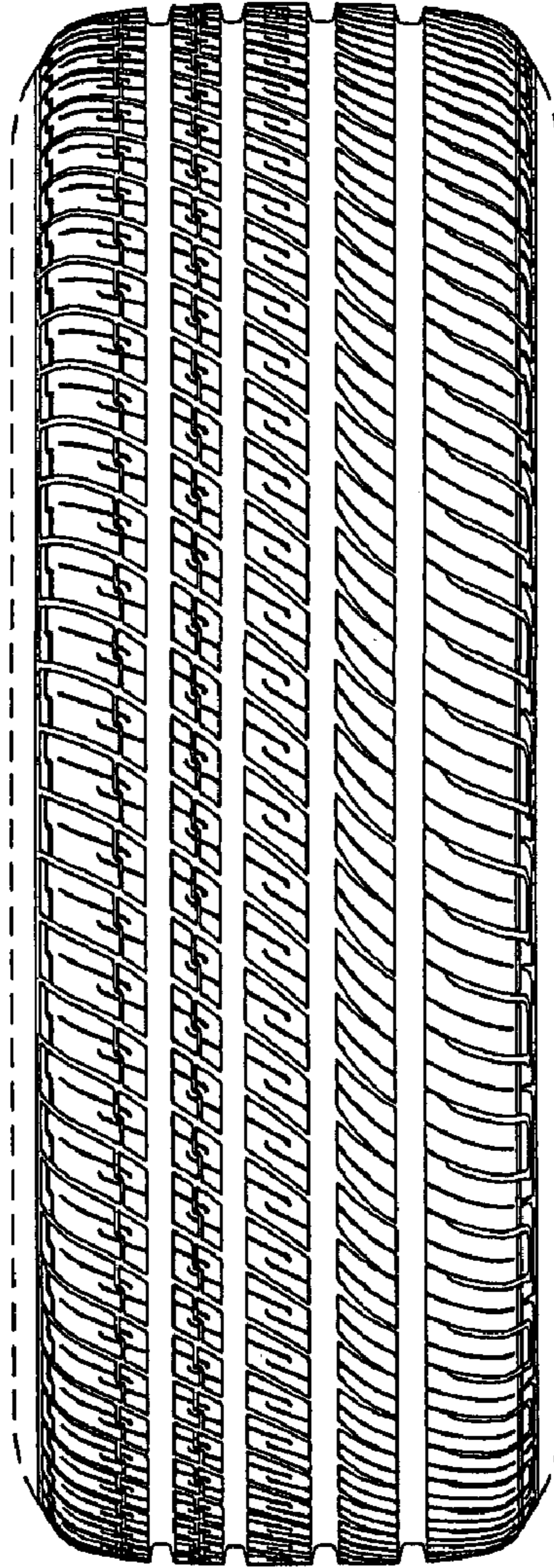


FIG.5

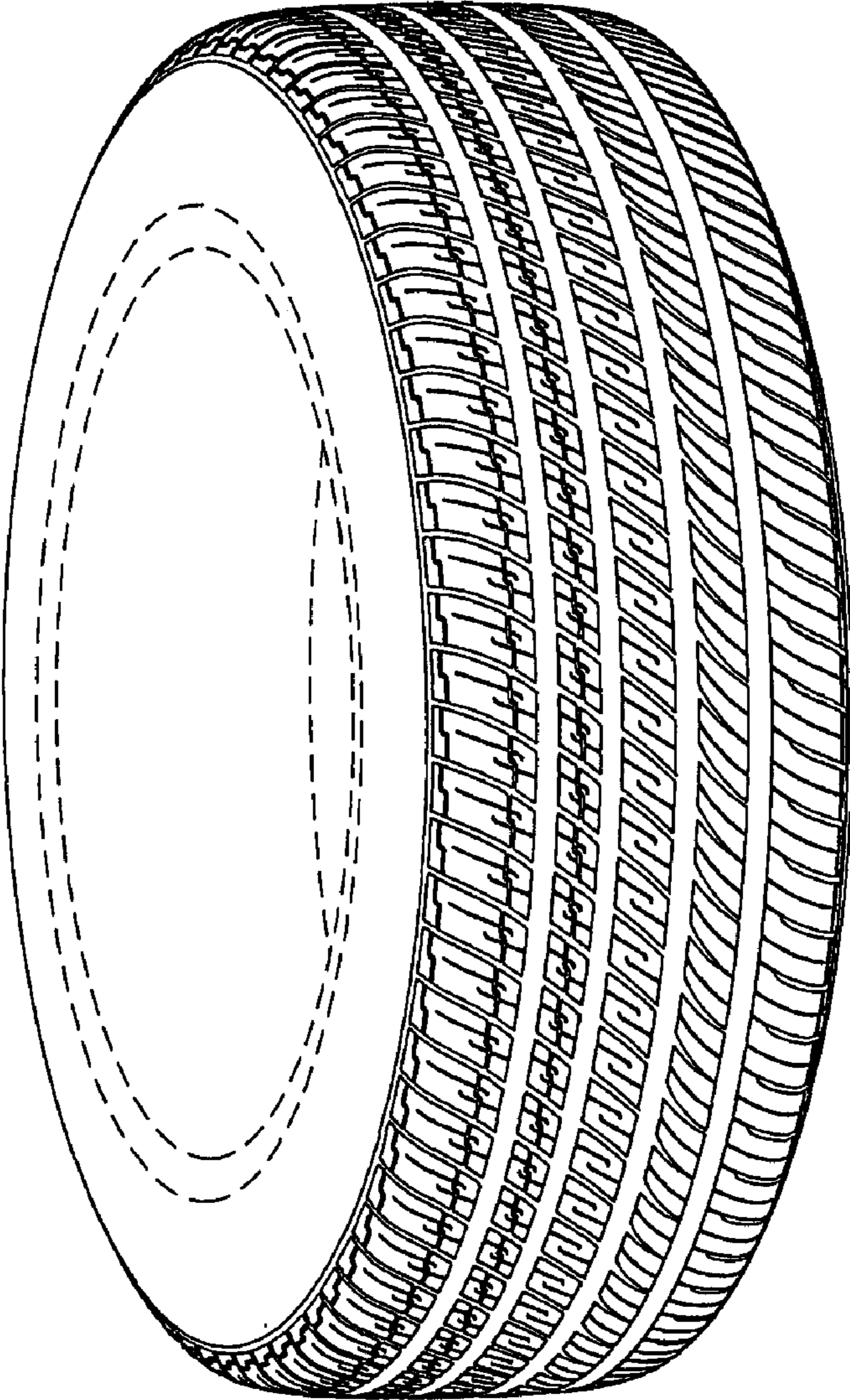


FIG.6

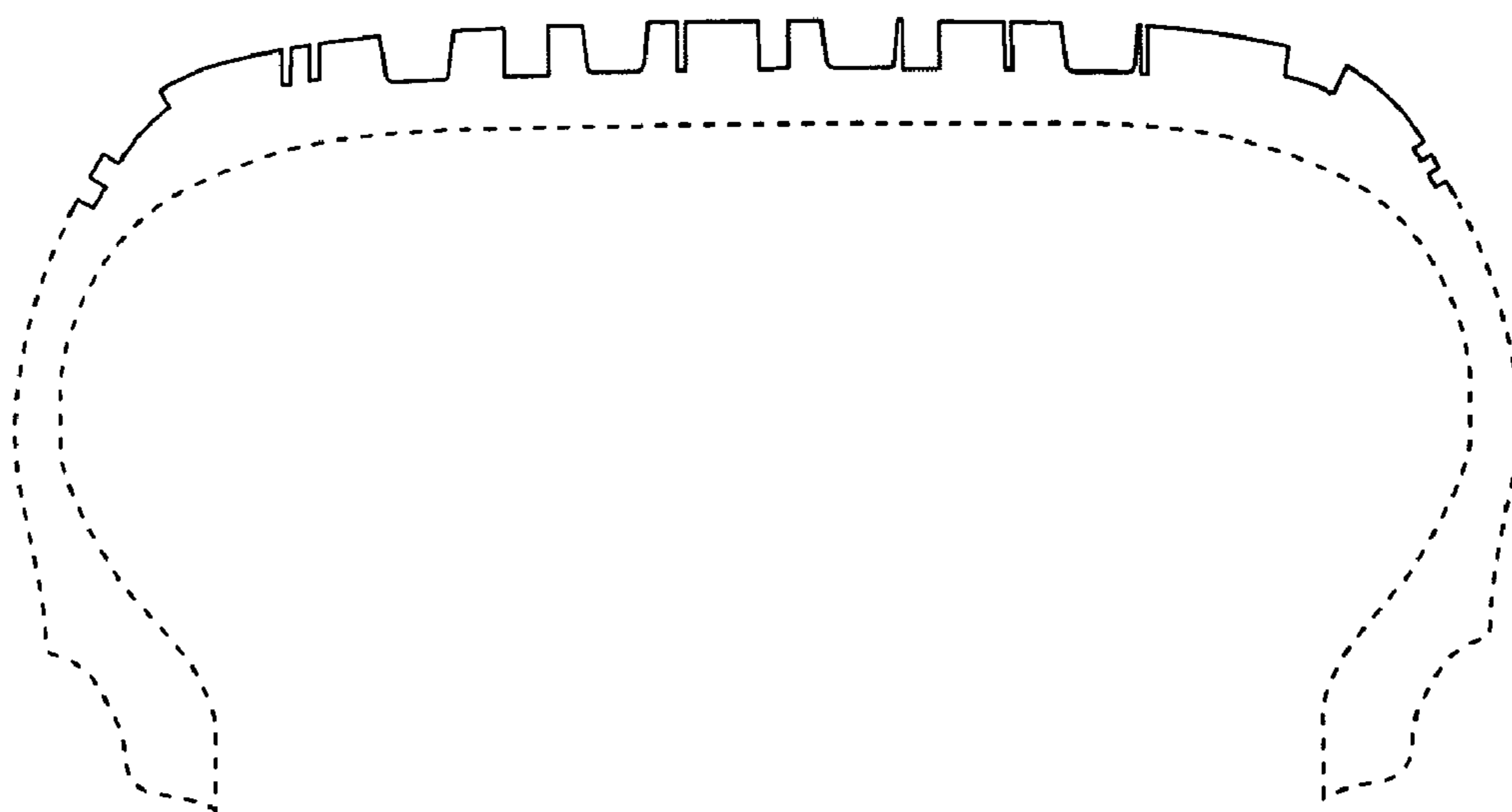


FIG. 7



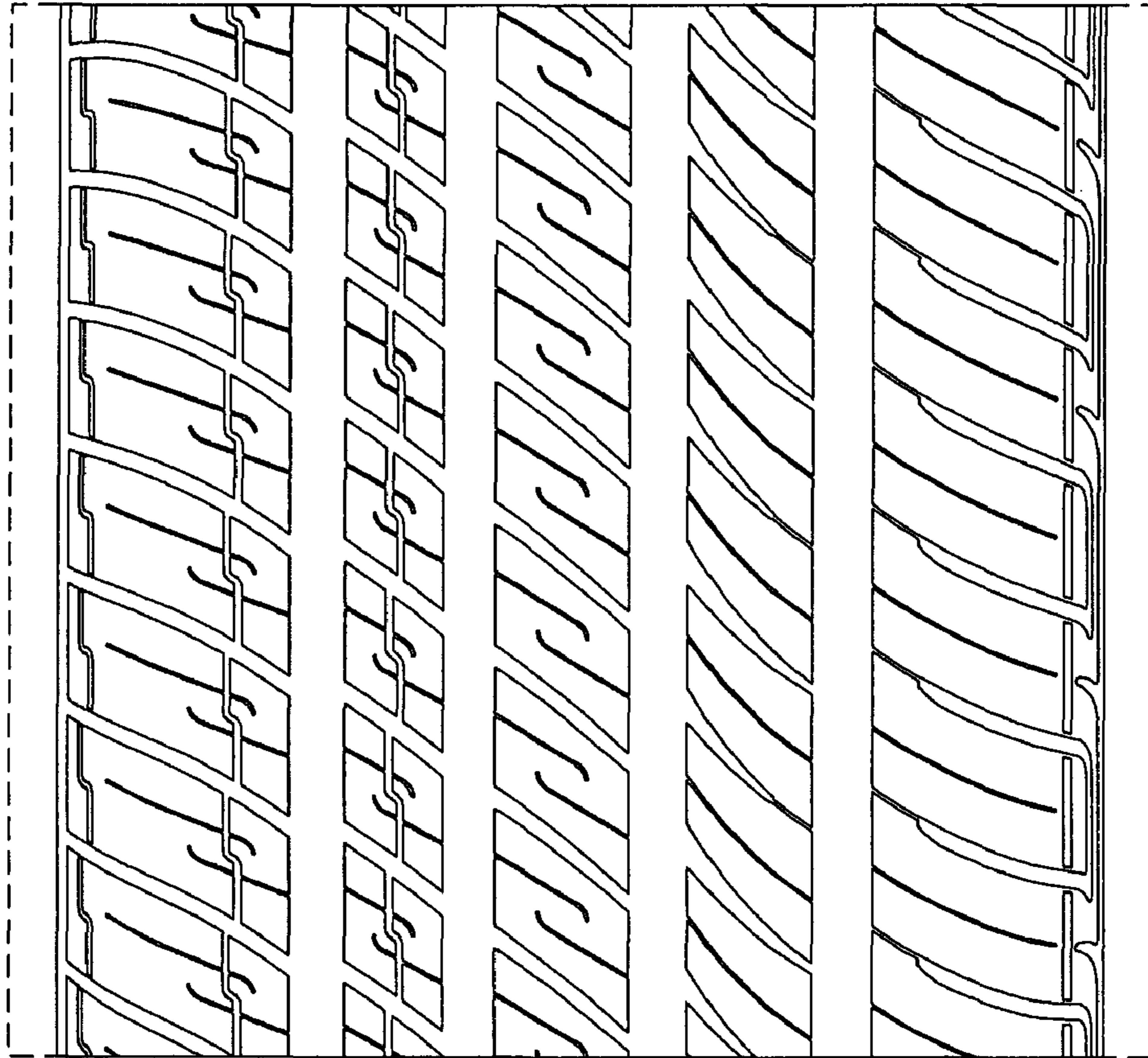


FIG. 8