



US00D596553S

(12) **United States Design Patent**
Kelly, Jr.

(10) **Patent No.:** **US D596,553 S**

(45) **Date of Patent:** **** Jul. 21, 2009**

(54) **RIM AND TIRE PROTECTOR**

(76) Inventor: **Willy K. Kelly, Jr.**, 3591 Quail Lakes Dr., #222, Stockton, CA (US) 95207

(**) Term: **14 Years**

(21) Appl. No.: **29/257,165**

(22) Filed: **Mar. 29, 2006**

(51) **LOC (9) Cl.** **12-16**

(52) **U.S. Cl.** **D12/213**

(58) **Field of Classification Search** D12/213,
D12/209, 204; 294/131; D7/387, 358, 391-392.1;
301/108.1-108.5, 37.103, 37.101, 37.21,
301/37.39, 37.31, 37.42, 104; 15/257.01;
118/505; 220/908, 912

See application file for complete search history.

(56) **References Cited**

U.S. PATENT DOCUMENTS

5,630,654 A * 5/1997 Chase 301/37.43
6,969,124 B2 * 11/2005 Gerard 301/37.32

* cited by examiner

Primary Examiner—Caron Veynar
Assistant Examiner—Katrina A Kile

(74) *Attorney, Agent, or Firm*—Schneck & Schneck; Thomas Schneck

(57) **CLAIM**

The ornamental design for a rim and tire protector, as shown and described.

DESCRIPTION

FIG. 1 is a left side view of a rim and tire protector in accordance with my design;

FIG. 2 is a right side view thereof;

FIG. 3 is a top side view thereof;

FIG. 4 is a bottom side view thereof;

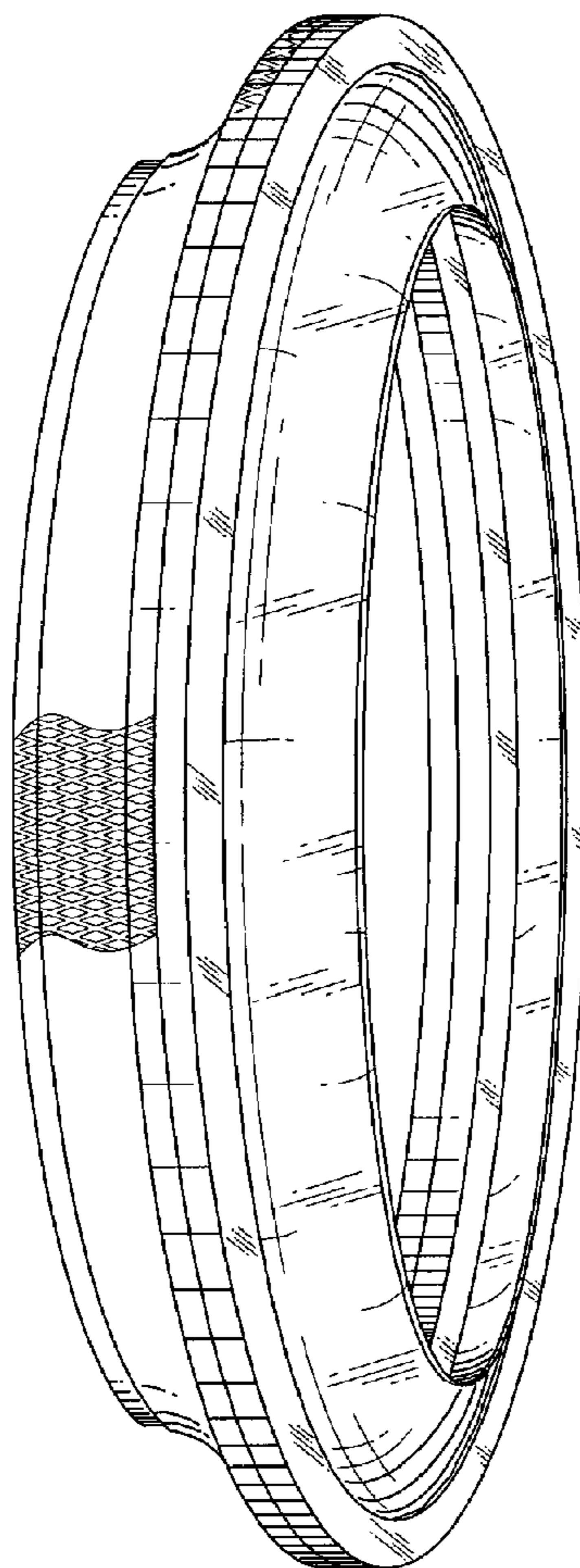
FIG. 5 is a back side view thereof;

FIG. 6 is a front side view thereof; and,

FIG. 7 is a side perspective view thereof.

It is understood that the break lines in FIGS. 1, 2, 3, 4, and 7 show a diamond pattern that repeats throughout the circumference of the rim and tire protector as best shown in FIG. 5.

1 Claim, 4 Drawing Sheets



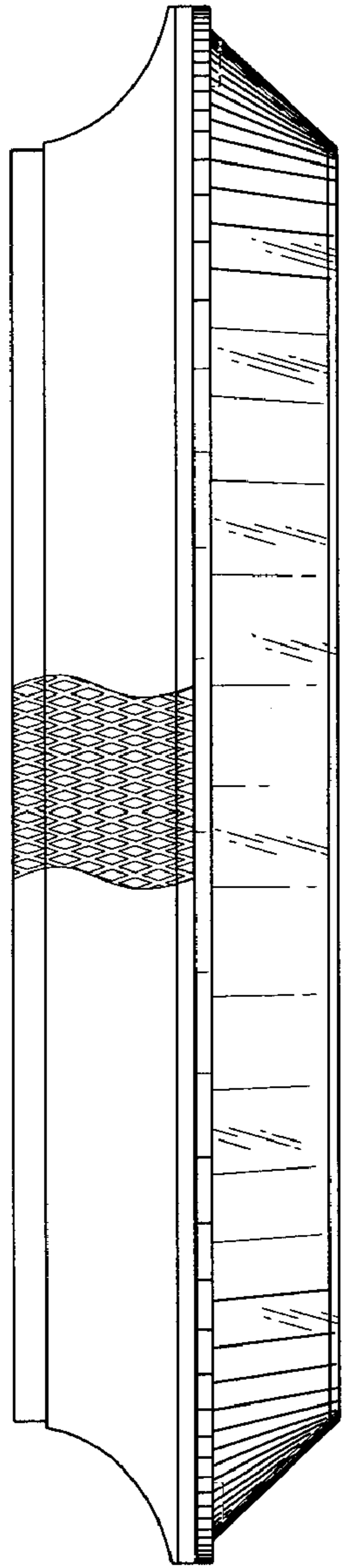


Fig. 1

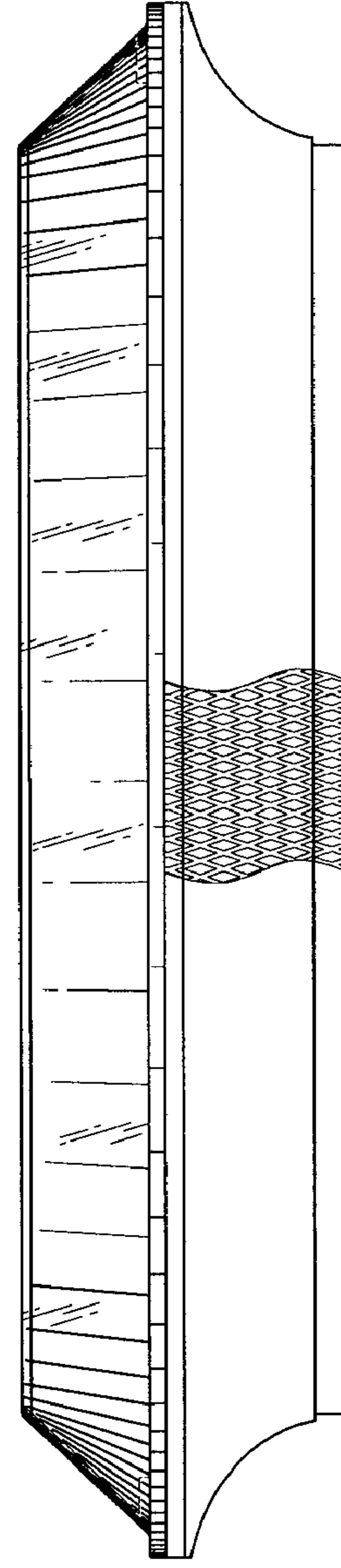


Fig. 2

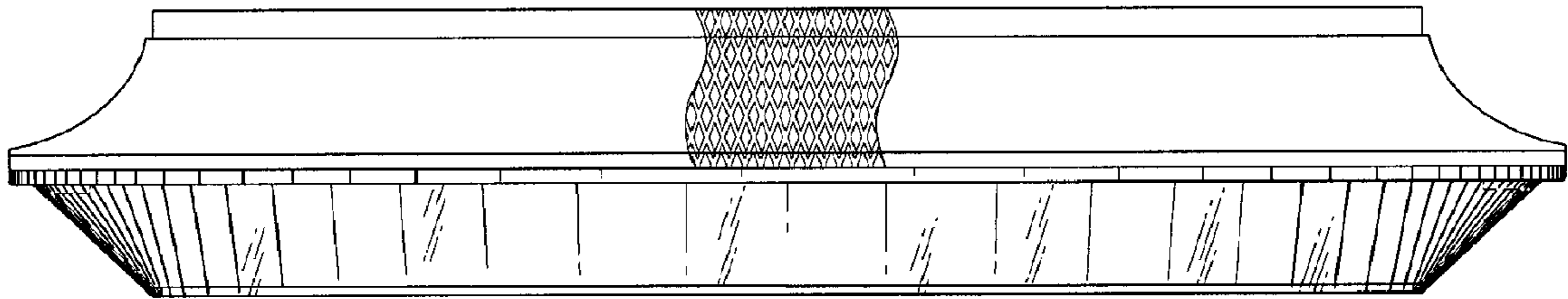


Fig. 3

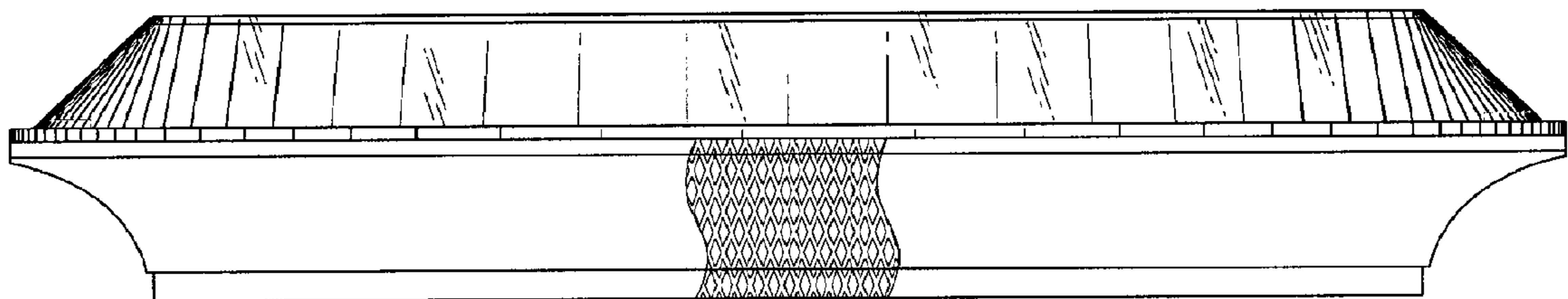


Fig. 4

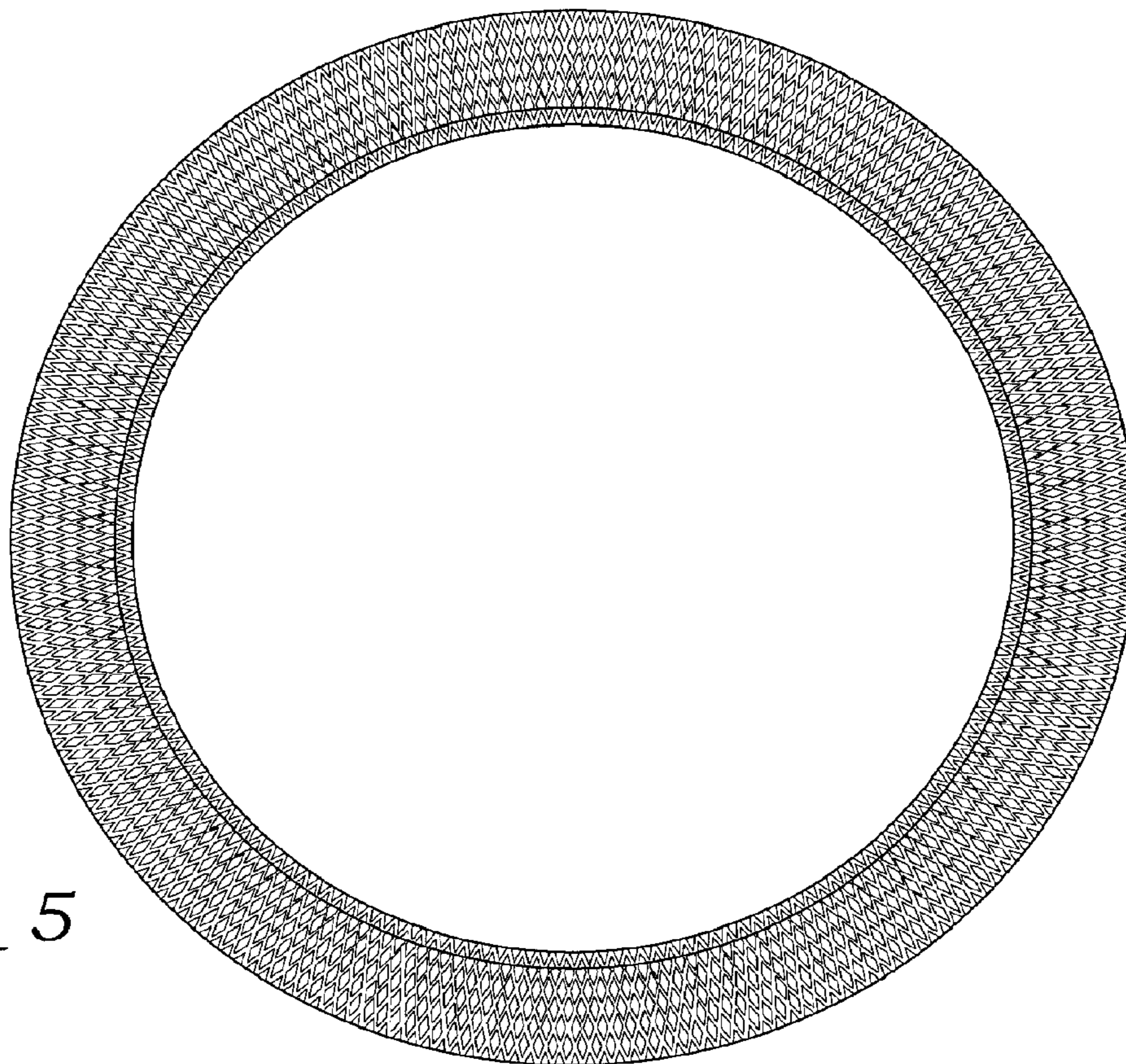


Fig. 5

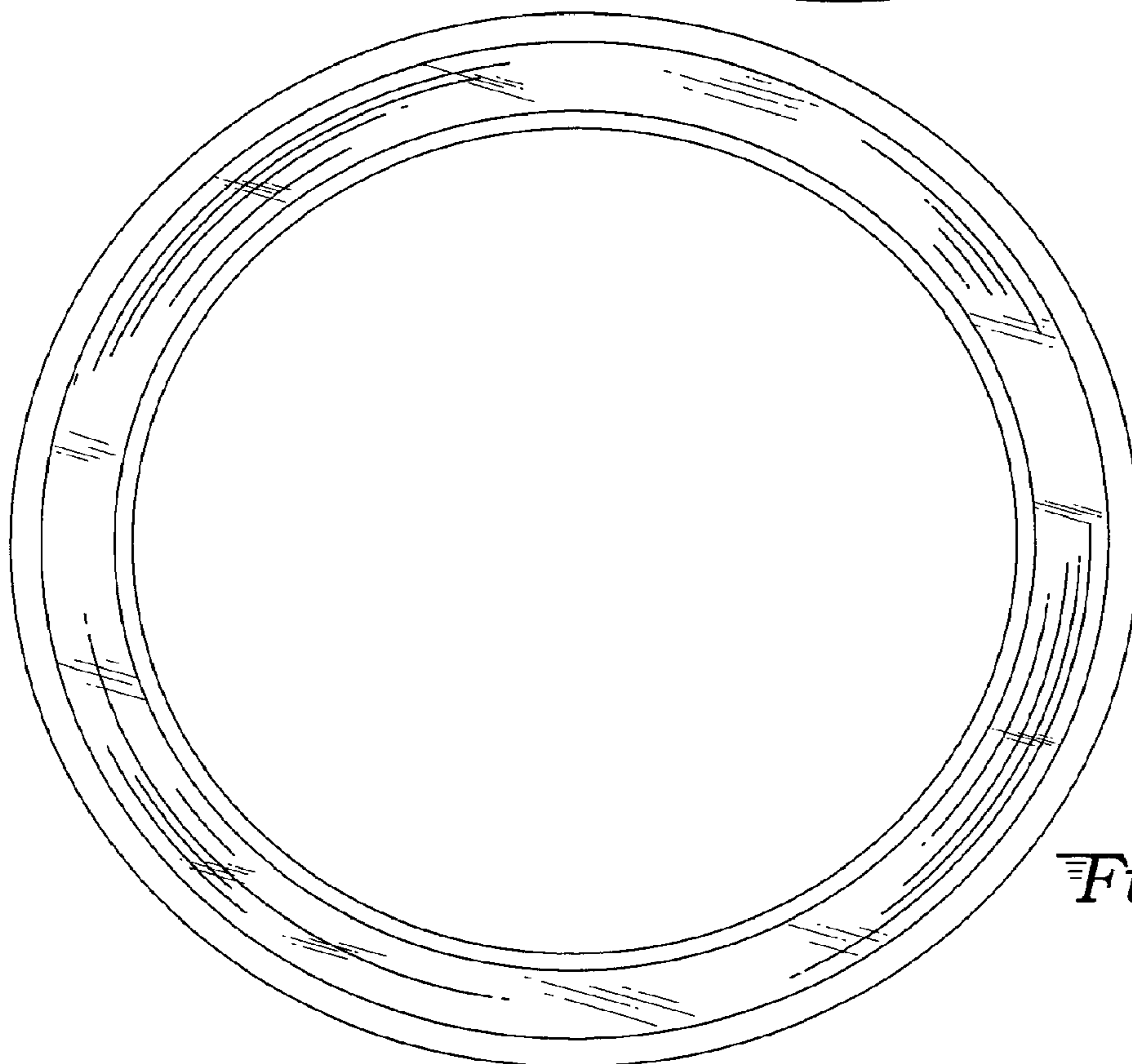


Fig. 6

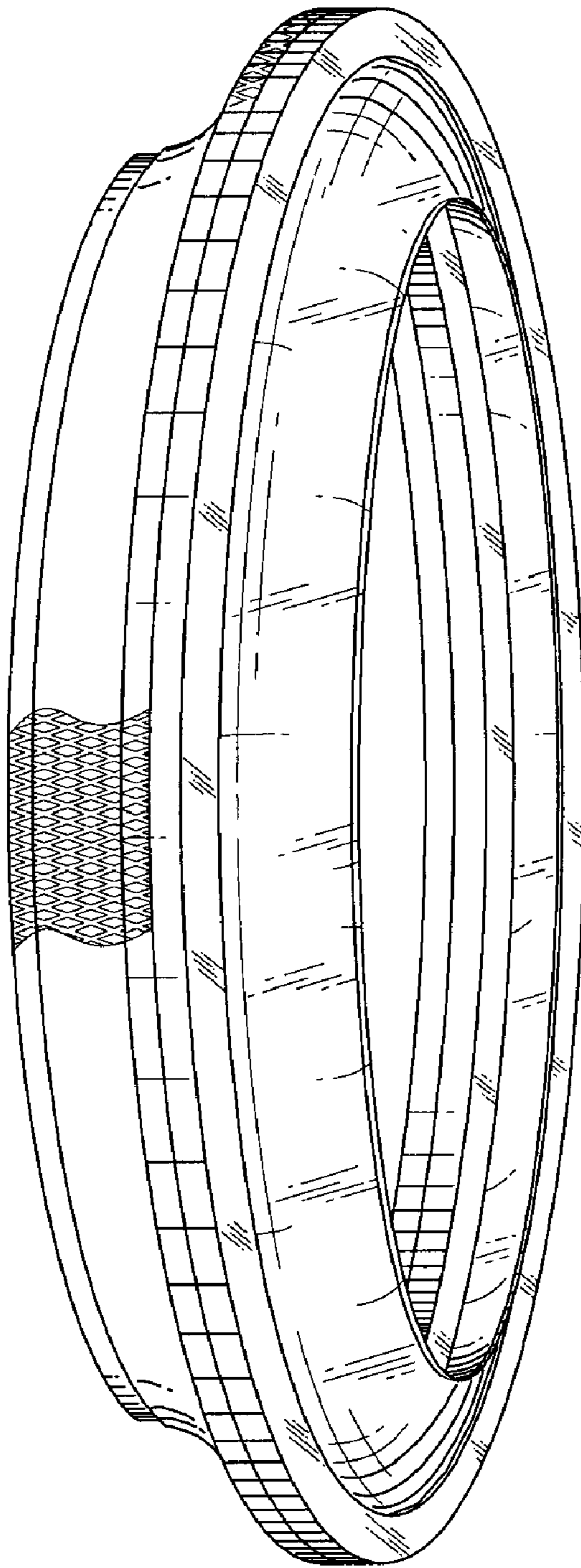


Fig. 7

UNITED STATES PATENT AND TRADEMARK OFFICE
CERTIFICATE OF CORRECTION

PATENT NO. : Des. 596,553 S
APPLICATION NO. : 29/257165
DATED : July 21, 2009
INVENTOR(S) : Willie K. Kelly, Jr.

Page 1 of 1

It is certified that error appears in the above-identified patent and that said Letters Patent is hereby corrected as shown below:

On the title page, item (75) Inventor: "Willy K. Kelly, Jr." should read
-- Willie K. Kelly, Jr. --.

Signed and Sealed this

Fifteenth Day of September, 2009

A handwritten signature in black ink that reads "David J. Kappos". The signature is written in a cursive, flowing style.

David J. Kappos
Director of the United States Patent and Trademark Office