



US00D596551S

(12) **United States Design Patent**
Futschik et al.

(10) **Patent No.:** **US D596,551 S**
(45) **Date of Patent:** **** Jul. 21, 2009**

(54) **WHEEL OR WHEEL COVER**

(75) Inventors: **Hans-Dieter Futschik**, Gechingen (DE);
Stefan Handt, Stuttgart (DE); **Holger**
Hutzenlaub, Boeblingen (DE); **Steffen**
Koehl, Stuttgart (DE)

(73) Assignee: **Daimler AG**, Stuttgart (DE)

(**) Term: **14 Years**

(21) Appl. No.: **29/311,337**

(22) Filed: **Feb. 25, 2009**

(30) **Foreign Application Priority Data**

Aug. 26, 2008 (EM) 000991294-0001

(51) **LOC (9) Cl.** **12-16**

(52) **U.S. Cl.** **D12/211**

(58) **Field of Classification Search** D12/204-213;
301/37.101, 64.101, 65, 64.201
See application file for complete search history.

(56) **References Cited**

U.S. PATENT DOCUMENTS

- D225,626 S * 12/1972 Davidson D12/209
- D259,930 S * 7/1981 Sandberg D12/211
- D294,821 S * 3/1988 Danbom D12/211
- D352,492 S * 11/1994 Boyer D12/211

- D428,847 S * 8/2000 Hussaini et al. D12/211
- D466,851 S * 12/2002 Pfeiffer et al. D12/211
- D505,906 S * 6/2005 Pfeiffer D12/211
- D520,931 S * 5/2006 Hieke D12/211
- D522,954 S * 6/2006 Hueller D12/211
- D530,255 S * 10/2006 Pfeiffer D12/211
- D532,357 S * 11/2006 Pfeiffer D12/211
- D535,604 S * 1/2007 Markefka D12/211
- D543,923 S * 6/2007 Hieke D12/211
- D556,113 S * 11/2007 Celik D12/211
- D585,009 S * 1/2009 Rak D12/211

* cited by examiner

Primary Examiner—Stacia Cadmus

(74) *Attorney, Agent, or Firm*—Crowell & Moring LLP

(57) **CLAIM**

The ornamental design for a wheel or wheel cover, as shown and described.

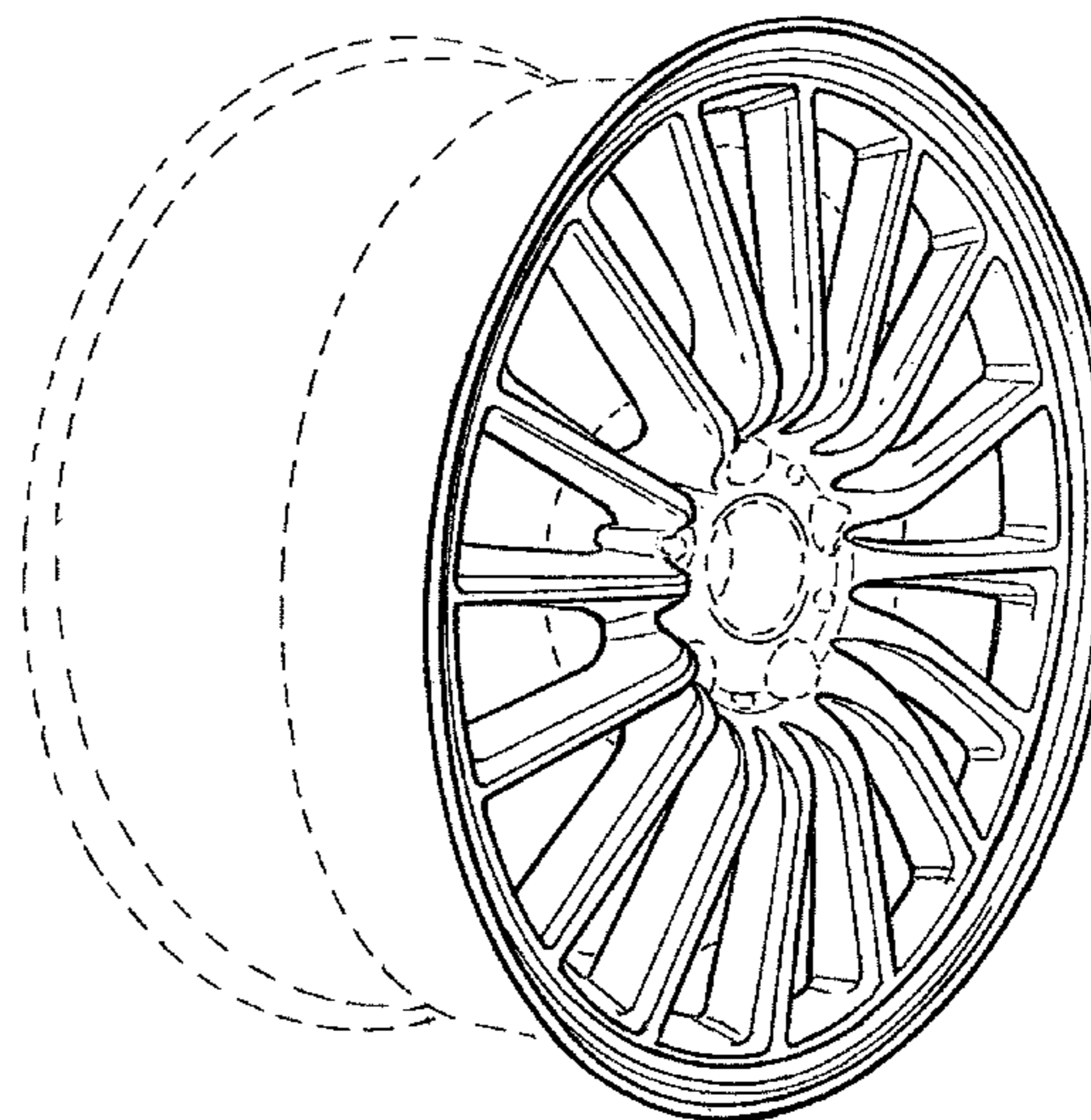
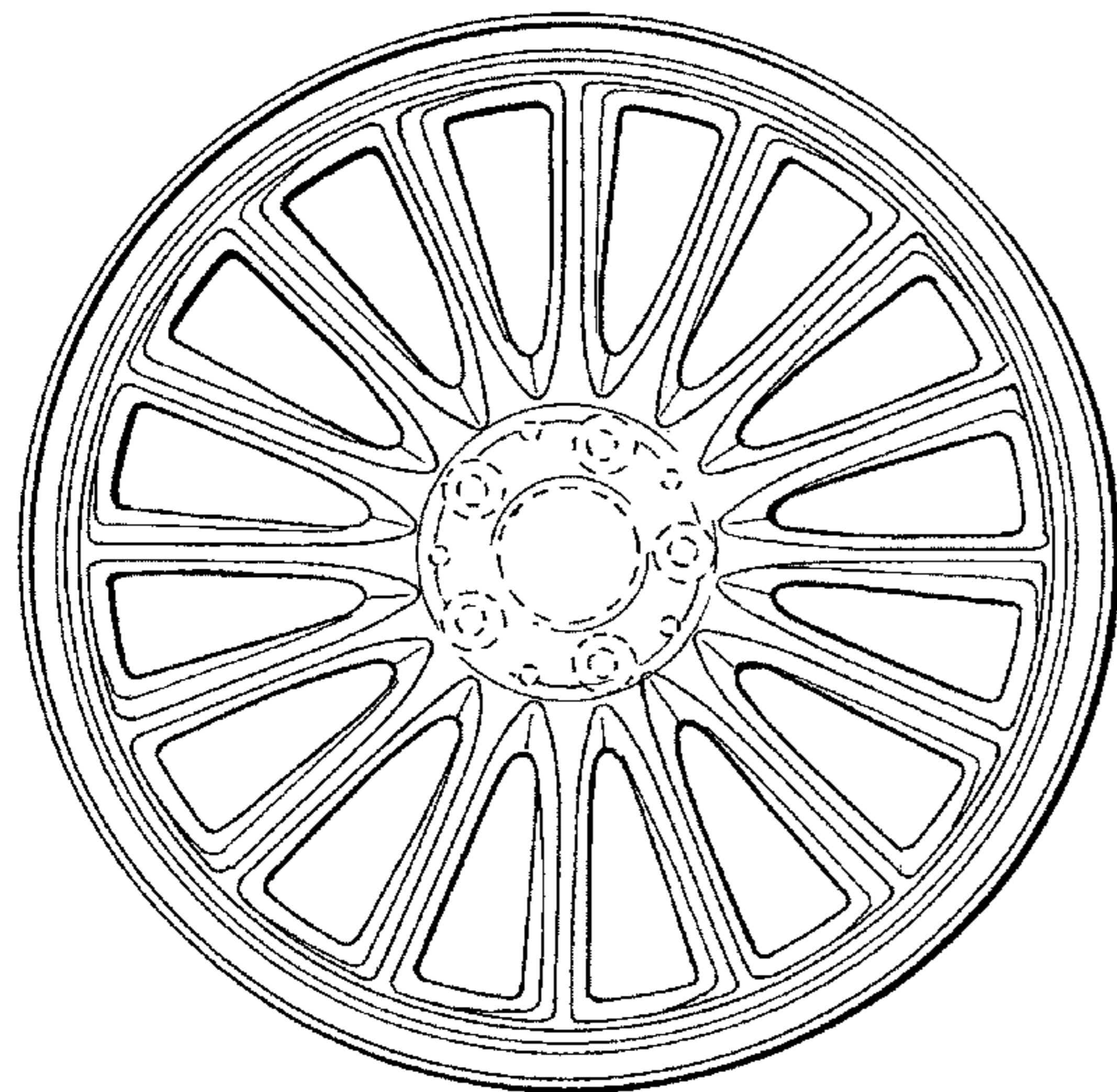
DESCRIPTION

FIG. 1 is a front view of a wheel or wheel cover according to our novel design; and,

FIG. 2 is a perspective view thereof.

The broken line showing of the rear of the rim and the bolt holes and the center cap in the central hub area is included for the purpose of illustrating environment and forms no part of the claimed design.

1 Claim, 1 Drawing Sheet



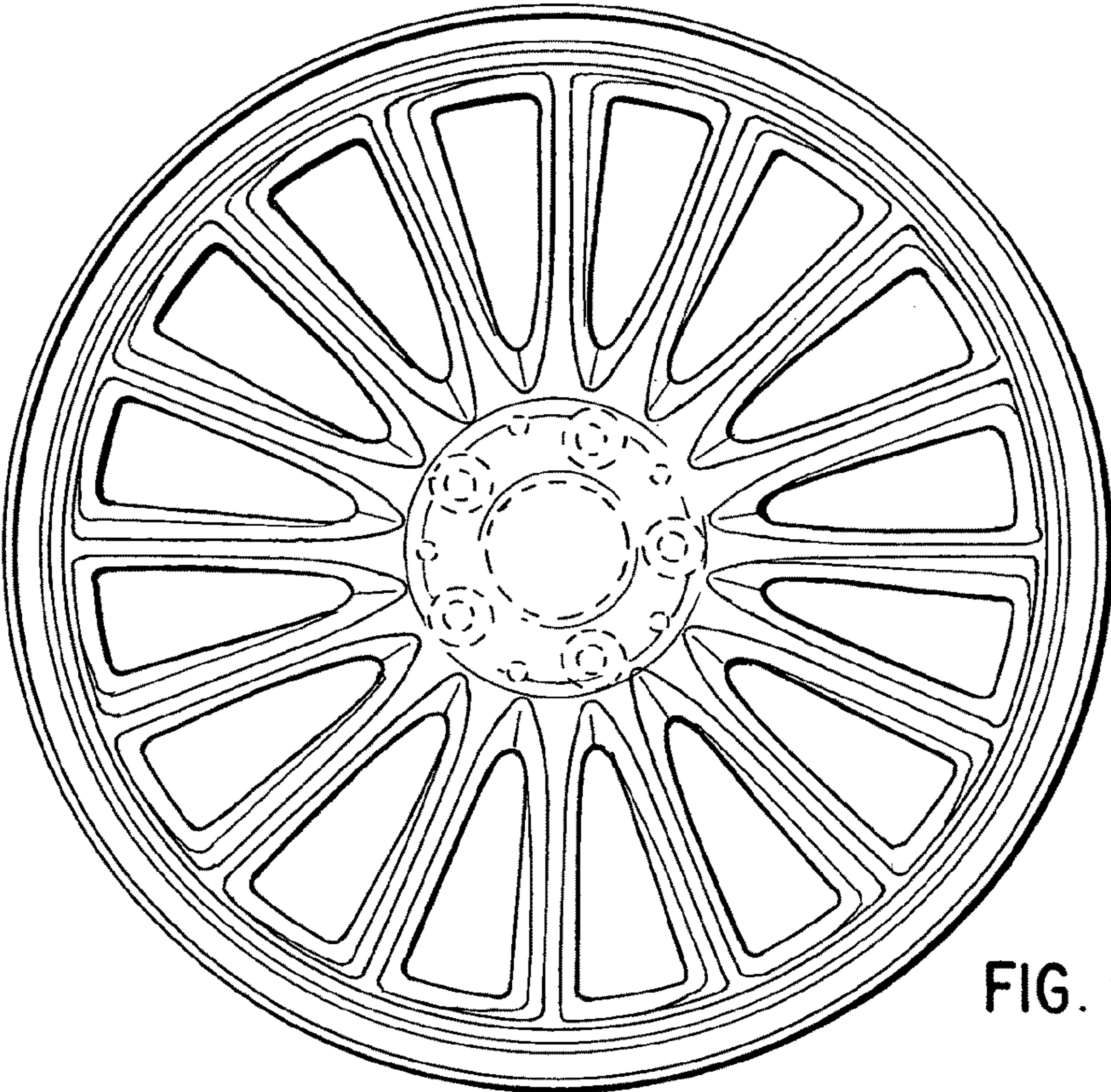


FIG. 1

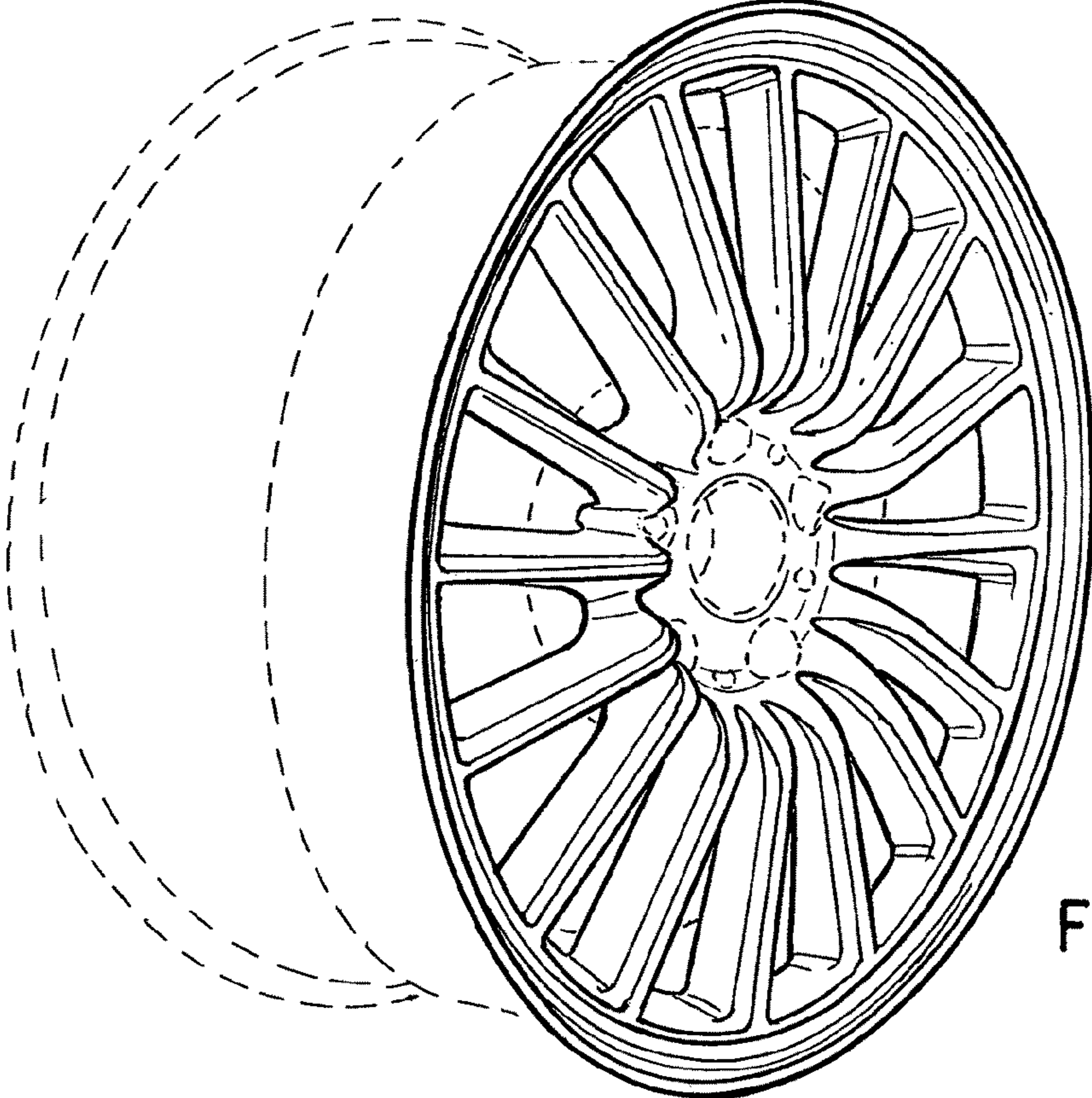


FIG. 2