



US00D596550S

(12) **United States Design Patent**
Marquette et al.

(10) **Patent No.:** **US D596,550 S**

(45) **Date of Patent:** **** Jul. 21, 2009**

(54) **WHEEL**

(76) Inventors: **Dany Marquette**, 1206, Place Vimy,
Boucherville, Quebec (CA) J4B 7T4;
Marc-André Ferland, 3186, Bernard
Street, Unit A, Brossard, Quebec (CA)
J4Z 2B6; **Stéphane Lavoie**, 3, Bellerive
Street, St-Basil-le-Grand, Quebec (CA)
J3N 1K6

(**) Term: **14 Years**

(21) Appl. No.: **29/310,807**

(22) Filed: **Sep. 11, 2008**

(51) **LOC (9) Cl.** **12-16**

(52) **U.S. Cl.** **D12/211**

(58) **Field of Classification Search** D12/204-213;
301/37.101, 64.101, 65, 64.201

See application file for complete search history.

(56) **References Cited**

U.S. PATENT DOCUMENTS

D327,048 S * 6/1992 Markling et al. D12/204

D328,053 S * 7/1992 Markling D12/501
D367,837 S * 3/1996 Harding D12/176
D369,136 S * 4/1996 Harding D12/176
D455,702 S * 4/2002 Cullen D12/211
D542,003 S * 5/2007 Morris D34/27
D586,071 S * 2/2009 Morris D34/27

* cited by examiner

Primary Examiner—Elizabeth A Albert

Assistant Examiner—Kelley A Donnelly

(74) *Attorney, Agent, or Firm*—Eric Fincham

(57) **CLAIM**

An ornamental design for a wheel, as shown and described.

DESCRIPTION

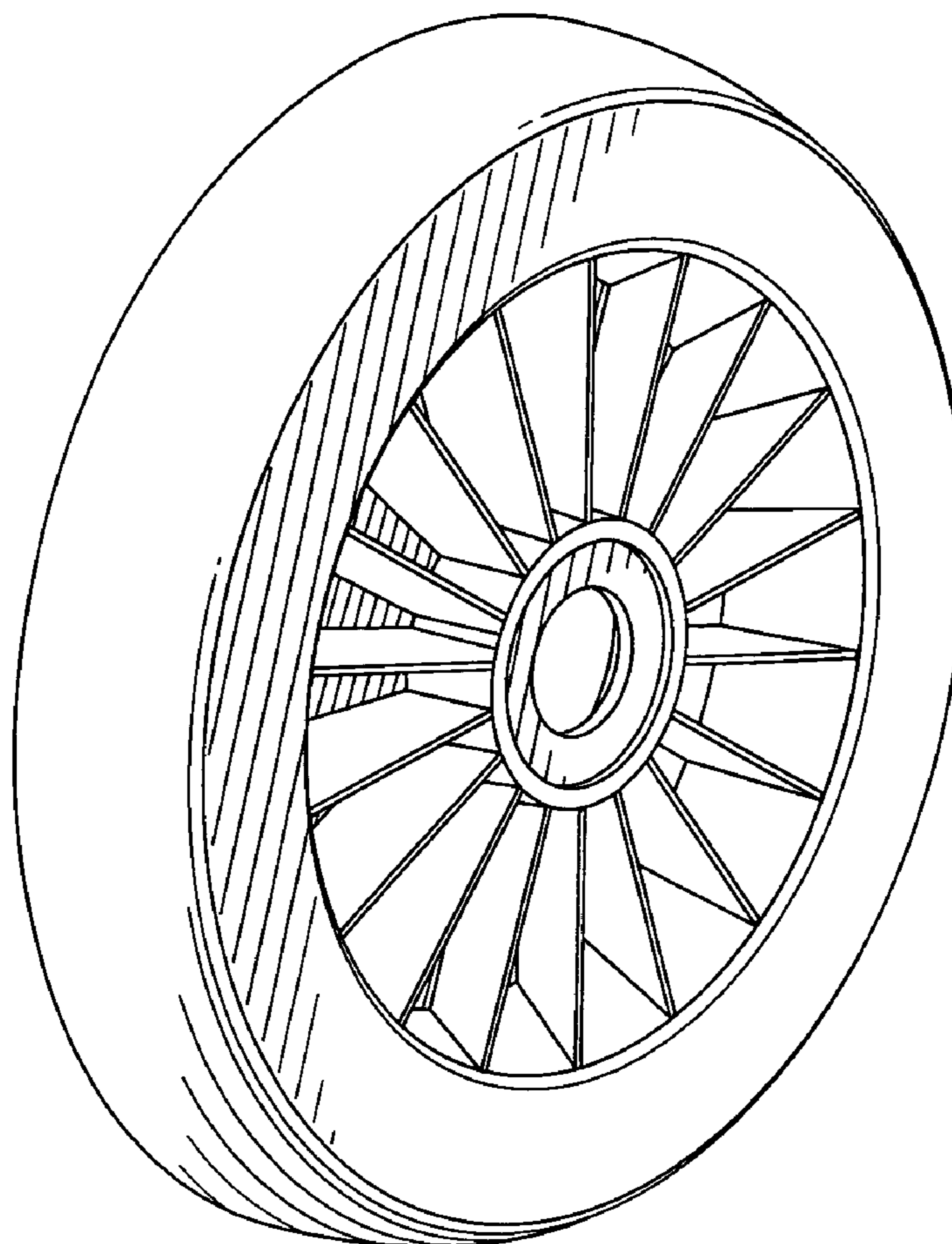
FIG. 1 is a perspective view of the wheel of the design;

FIG. 2 is a front elevational view thereof;

FIG. 3 is an end elevational view thereof as seen from the left
hand side of FIG. 2; and,

FIG. 4 is an end elevational view thereof as seen from the right
hand side of FIG. 2.

1 Claim, 1 Drawing Sheet



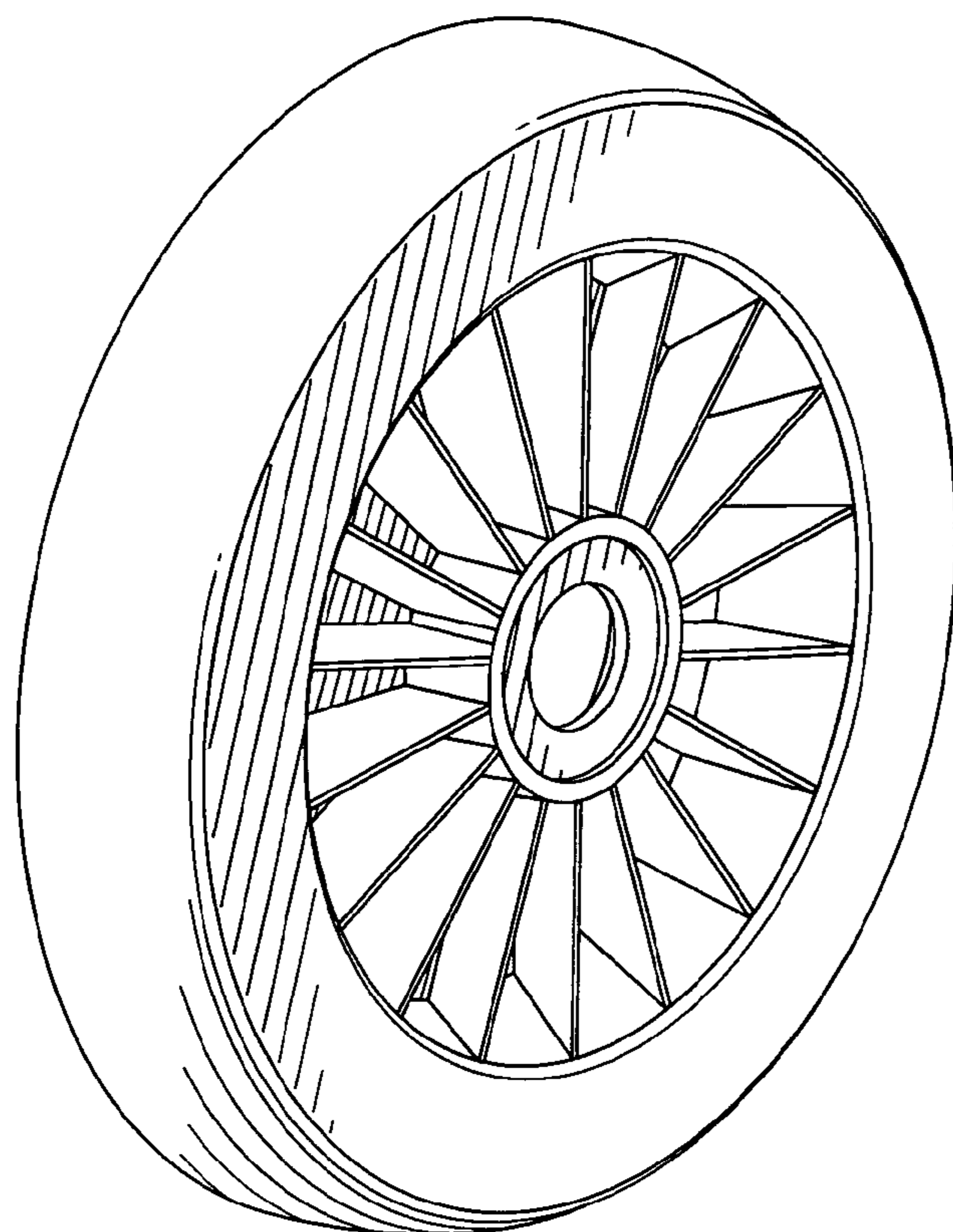


FIG. 1

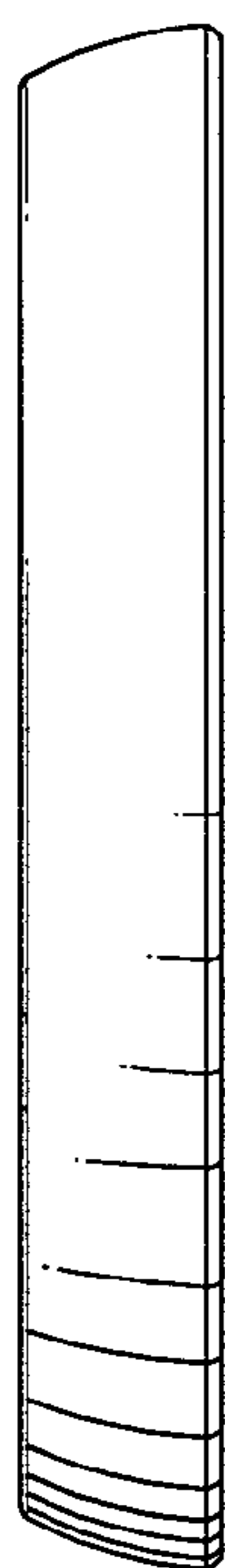


FIG. 3

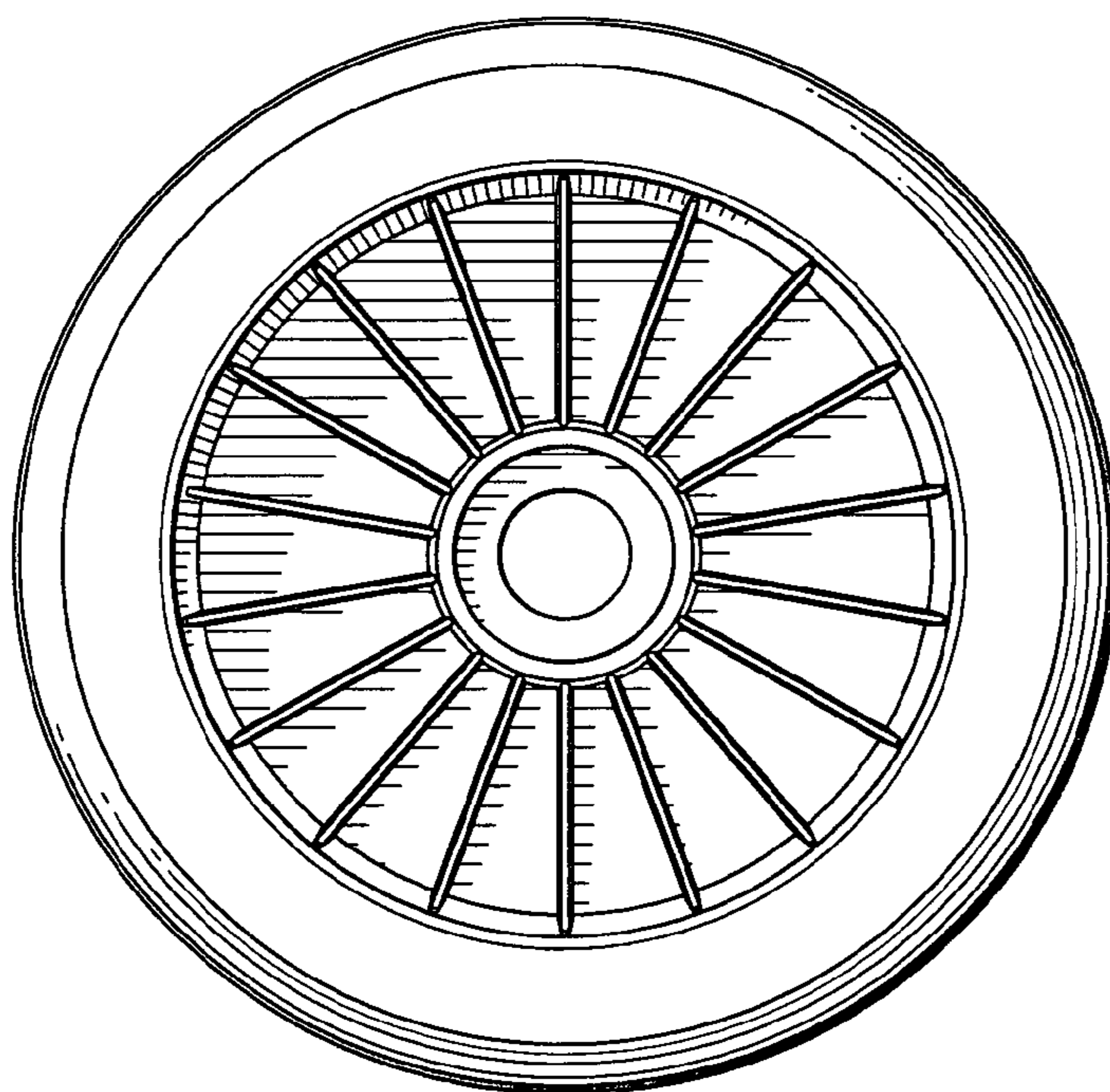


FIG. 2



FIG. 4