

US00D596546S

(12) **United States Design Patent**
Habib

(10) **Patent No.:** **US D596,546 S**
(45) **Date of Patent:** **** Jul. 21, 2009**

(54) **TRUNK LID FOR A VEHICLE**

FOREIGN PATENT DOCUMENTS

(75) Inventor: **Karim Habib**, Munich (DE)

WO DM/056821 5/2001

(73) Assignee: **Bayerische Motoren Werke Aktiengesellschaft**, Munich (DE)

* cited by examiner

Primary Examiner—Melody N Brown

(**) Term: **14 Years**

(74) *Attorney, Agent, or Firm*—Crowell & Moring LLP

(21) Appl. No.: **29/309,032**

(57) **CLAIM**

(22) Filed: **Jun. 12, 2008**

The ornamental design for a trunk lid for a vehicle, as shown and described.

(30) **Foreign Application Priority Data**

DESCRIPTION

Dec. 13, 2007 (DE) 40706251

This application is related to the following co-pending application: application Ser. No. 29/309,034, entitled "Vehicle, Toy, or Likeness Thereof".

(51) **LOC (9) Cl.** **12-16**

(52) **U.S. Cl.** **D12/196**

(58) **Field of Classification Search** D12/196,
D12/90-92, 86; 296/181.1, 181.5
See application file for complete search history.

FIG. 1 is a right perspective view of a trunk lid for a vehicle according to my novel design;

FIG. 2 is a front view thereof;

FIG. 3 is a left perspective view thereof;

FIG. 4 is a top view thereof;

FIG. 5 is a left side view thereof; and,

FIG. 6 is a right side view thereof.

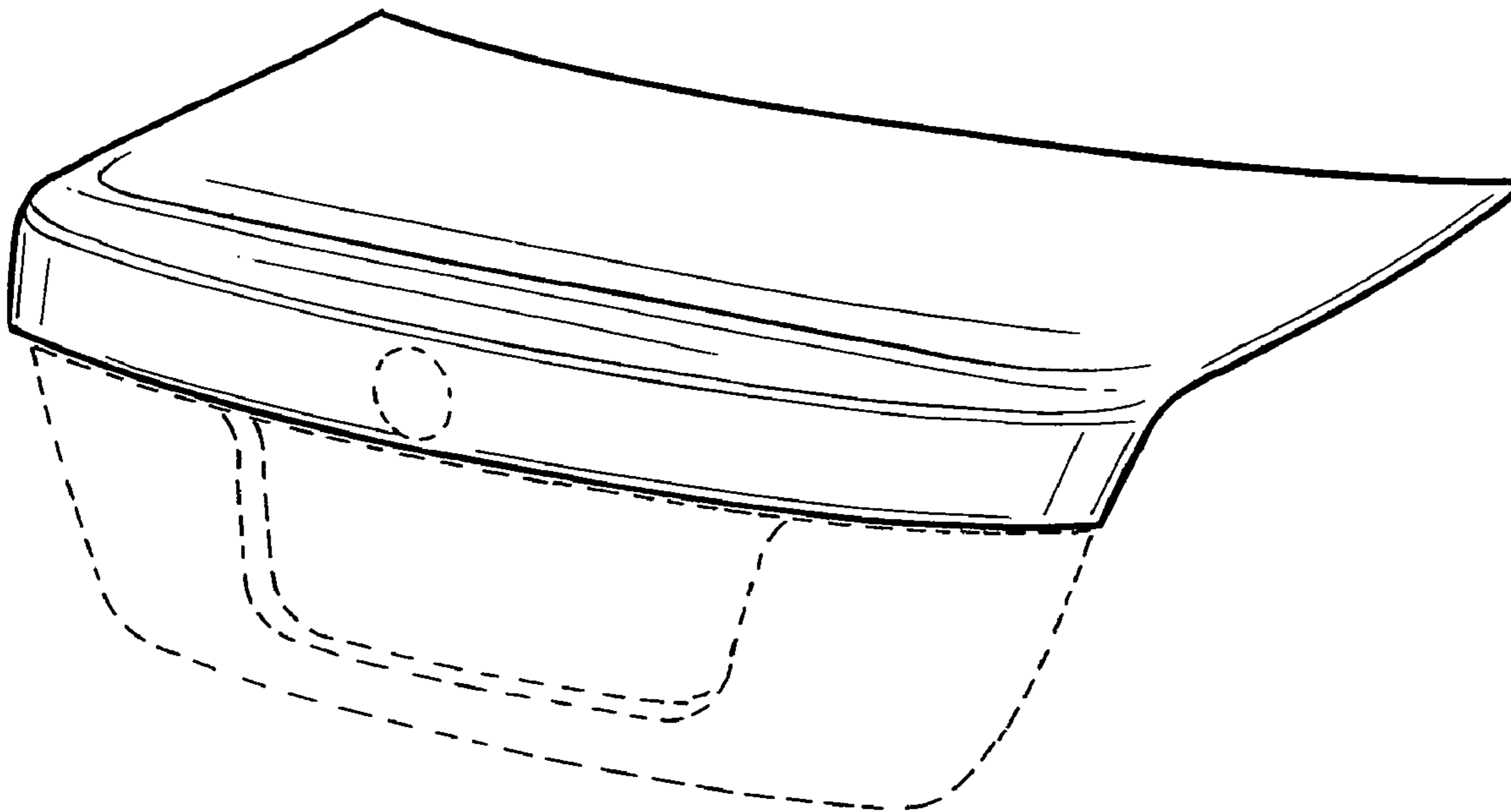
The broken lines are for illustrative purposes only and form no part of the claimed design.

(56) **References Cited**

U.S. PATENT DOCUMENTS

D513,601 S	*	1/2006	Nagashima	D12/196
D514,042 S	*	1/2006	Pfeiffer et al.	D12/196
D514,491 S	*	2/2006	Nagashima	D12/196
D527,322 S	*	8/2006	Brown	D12/196
D571,701 S	*	6/2008	Sato et al.	D12/196
D581,336 S	*	11/2008	Gabath et al.	D12/196

1 Claim, 3 Drawing Sheets



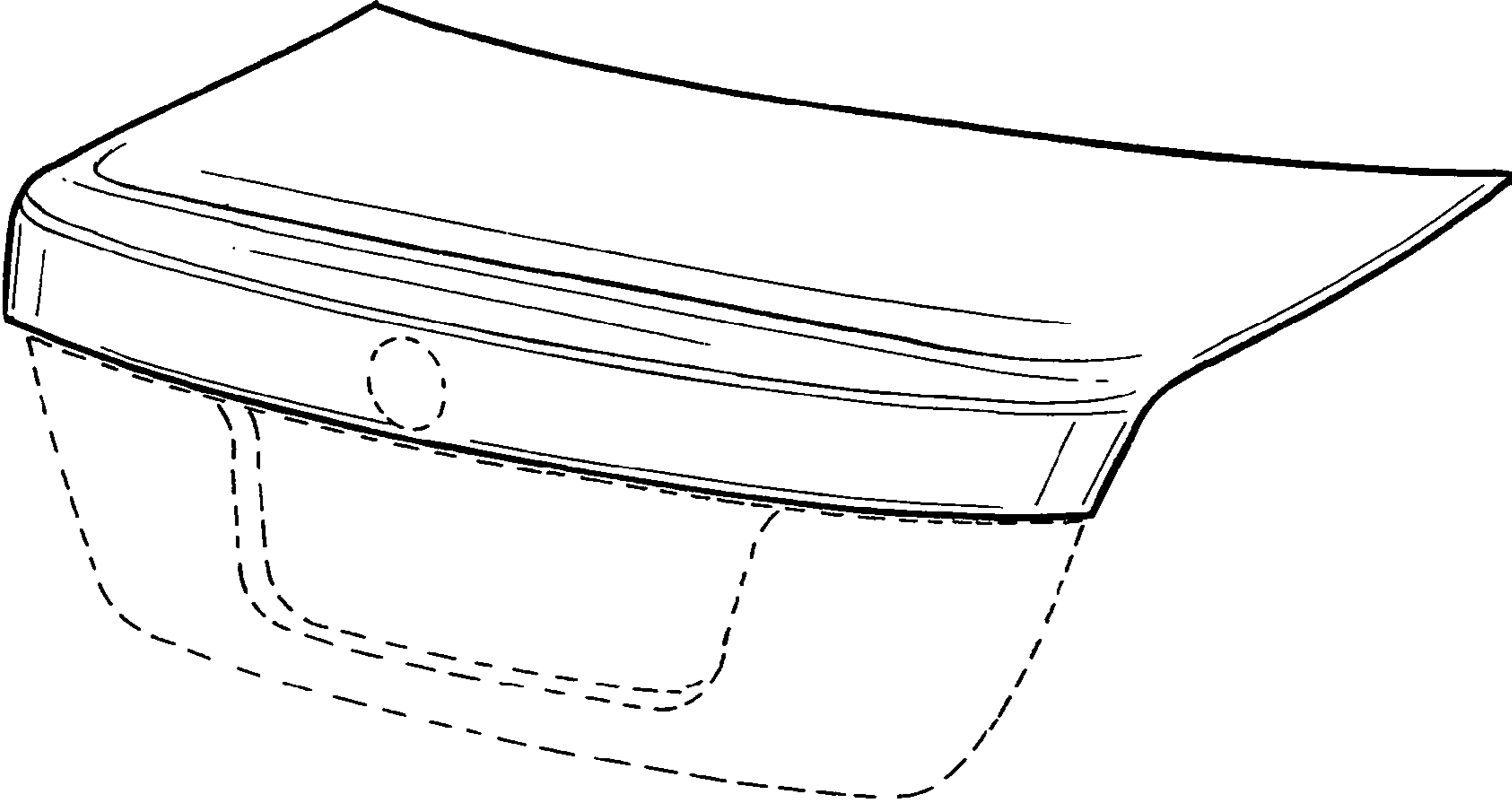


FIG. 1

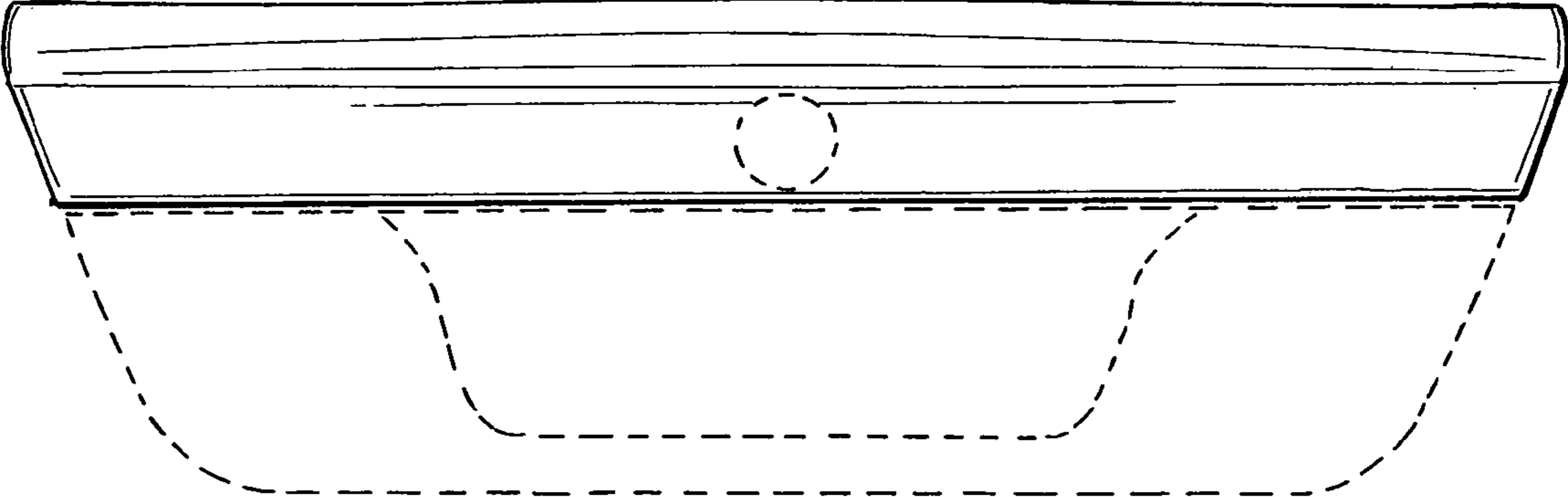


FIG. 2

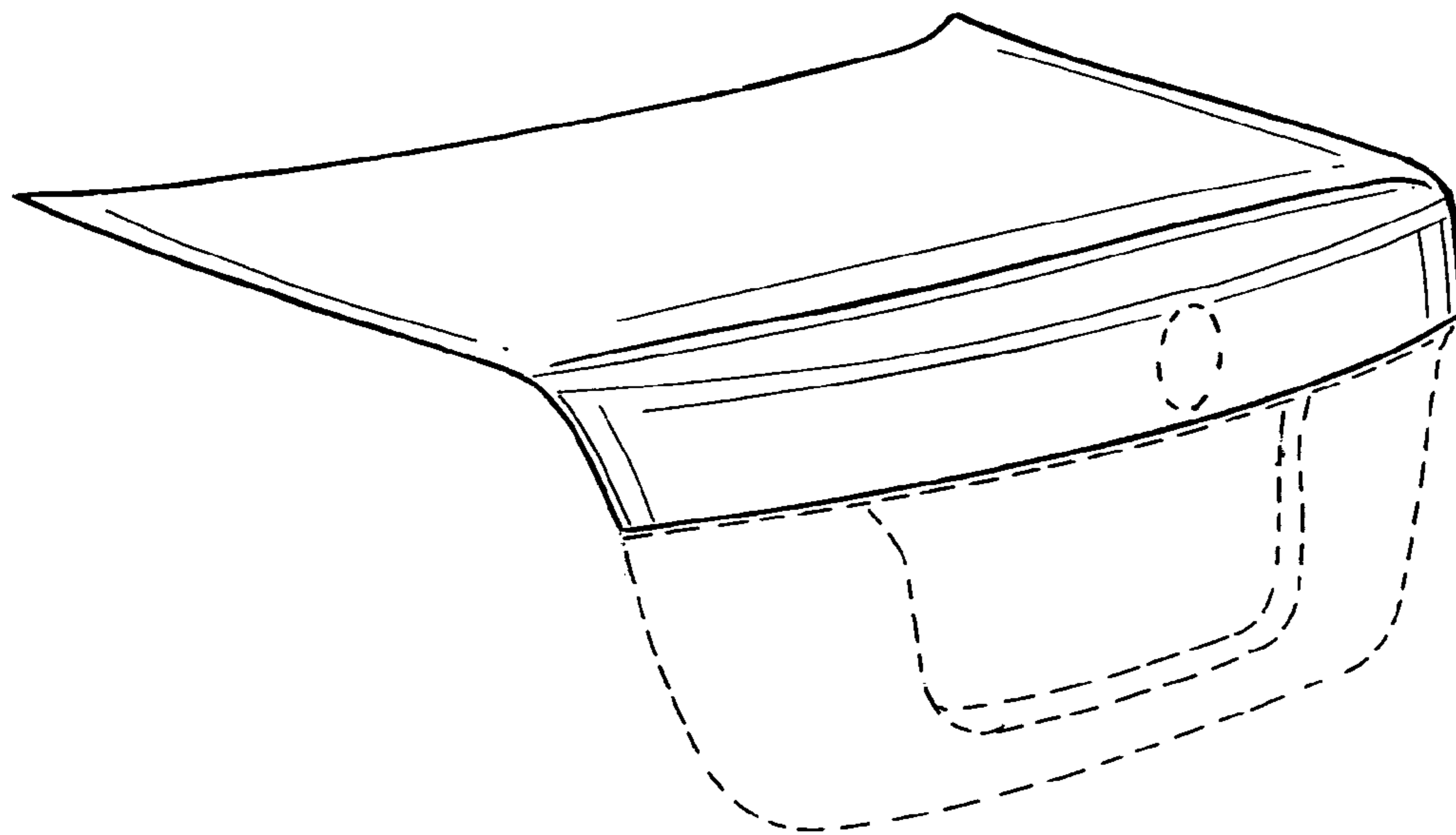


FIG. 3

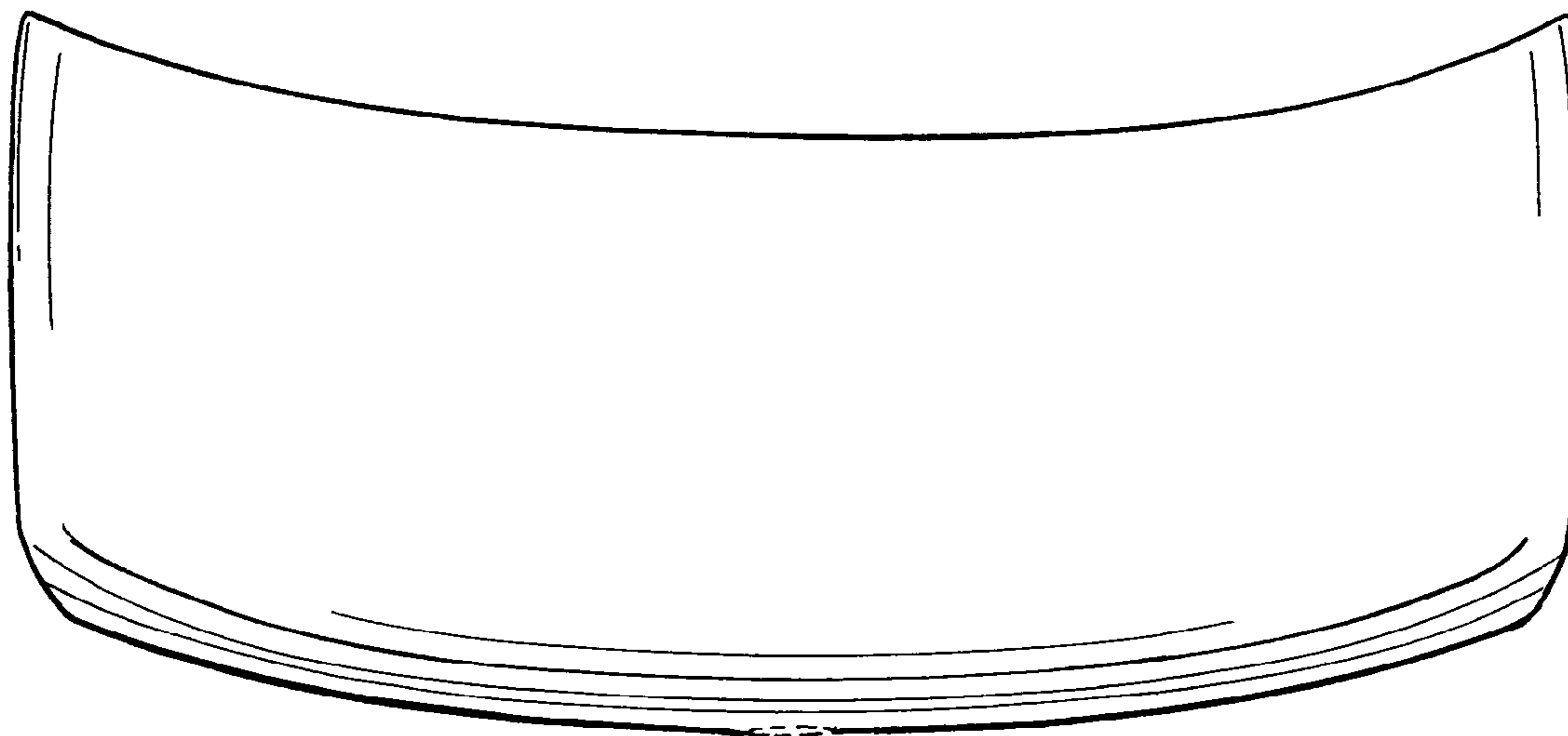


FIG. 4

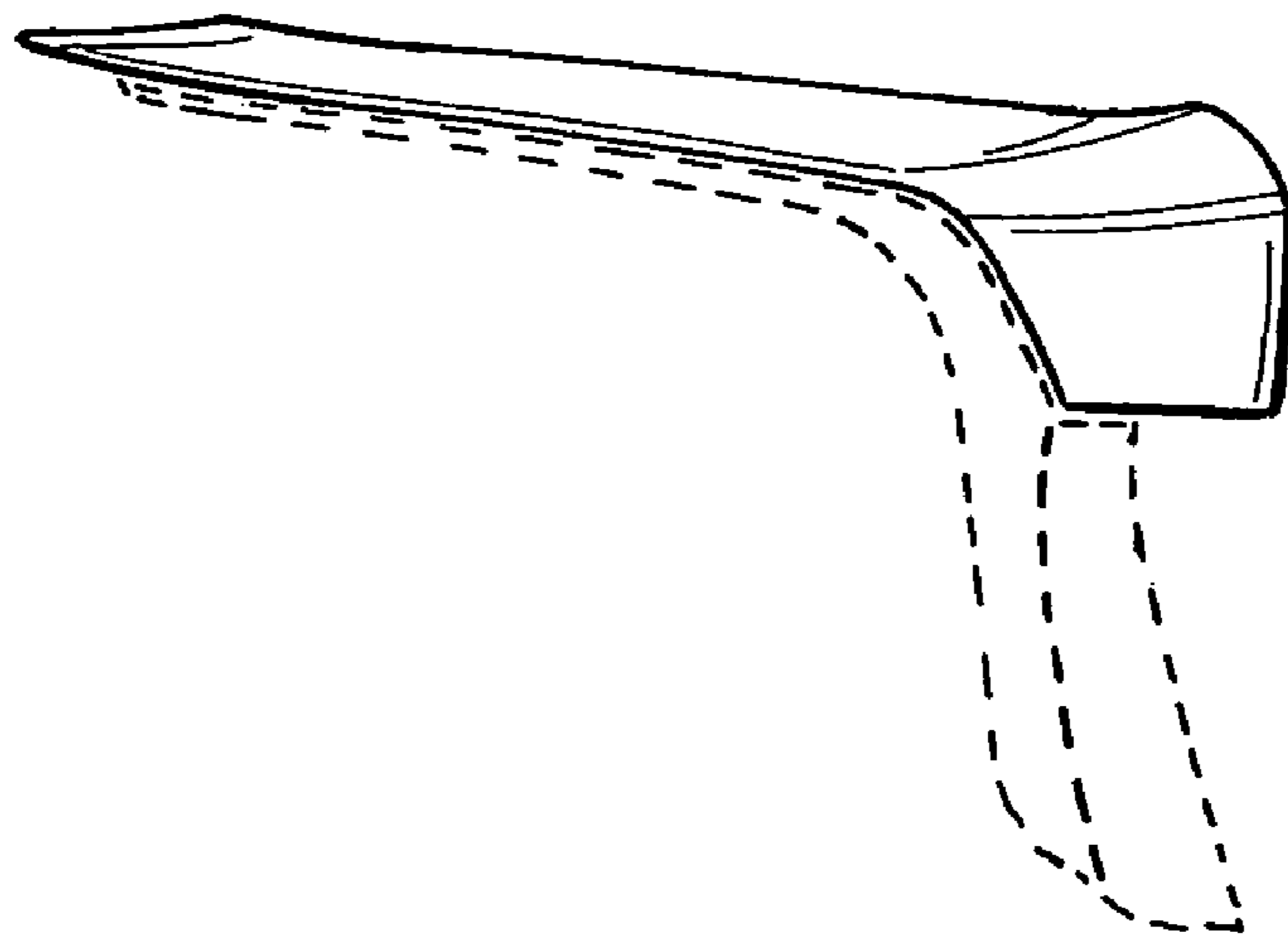


FIG. 5

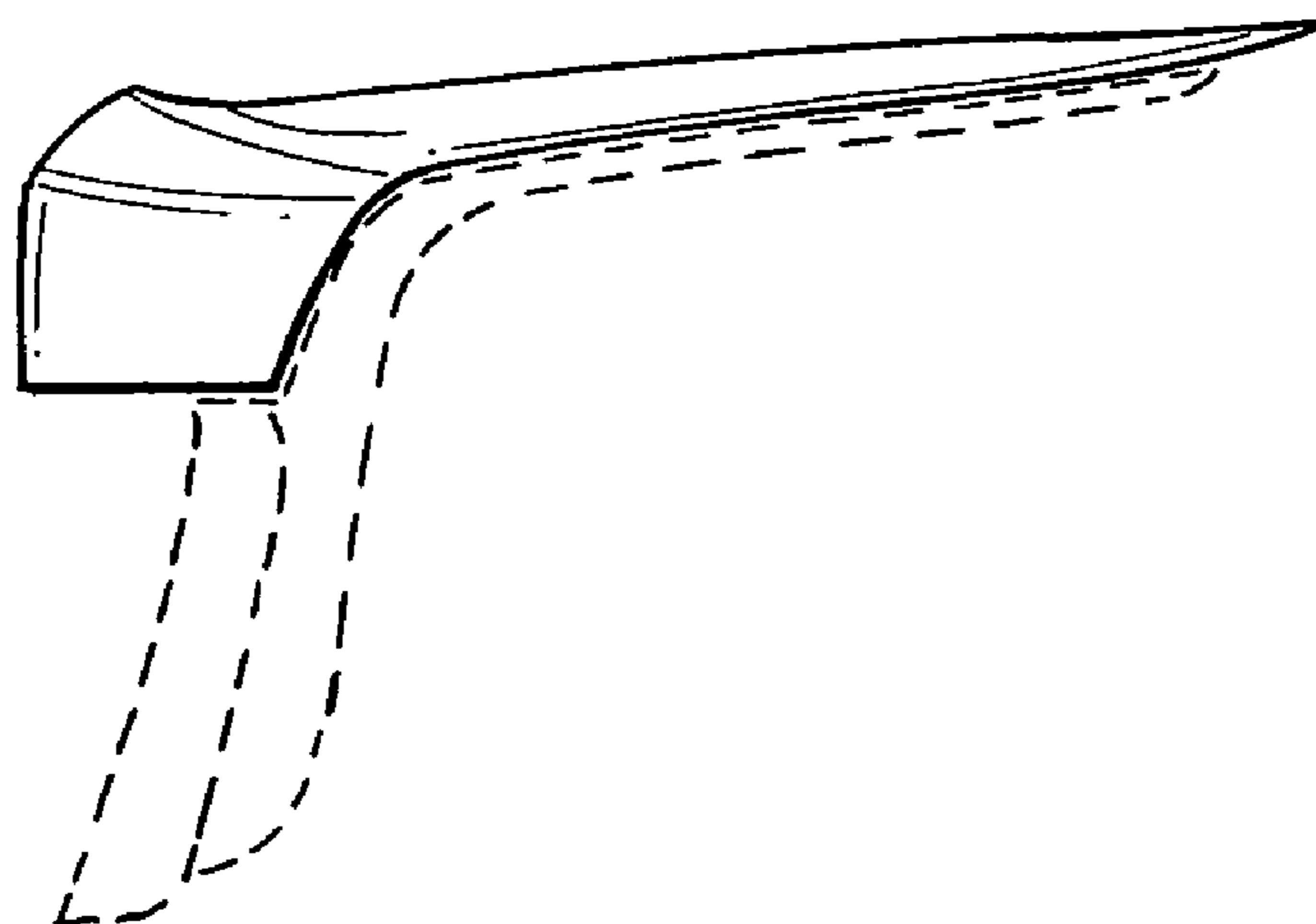


FIG. 6