



US00D596545S

(12) **United States Design Patent**
Son

(10) **Patent No.:** **US D596,545 S**
(45) **Date of Patent:** **** Jul. 21, 2009**

(54) **LICENSE PLATE HOLDER WITH REARVIEW CAMERA**

(76) Inventor: **Kyong-sik Son**, Sinjeong-Dong 312
Mokdongsinsigaji Apt. 928-105, Yang
Chon-Gu, Seoul (KR)

(**) Term: **14 Years**

(21) Appl. No.: **29/331,952**

(22) Filed: **Feb. 5, 2009**

(51) **LOC (9) Cl.** **12-16**

(52) **U.S. Cl.** **D12/193**

(58) **Field of Classification Search** D12/193;
D20/42; 40/209, 201, 200; 362/497; 340/436;
248/488

See application file for complete search history.

(56) **References Cited**

U.S. PATENT DOCUMENTS

2,618,089	A *	11/1952	Rose	40/204
2,765,553	A *	10/1956	Audette	40/209
D182,783	S *	5/1958	Audette	D12/193
4,011,675	A *	3/1977	Herring	40/209
D271,011	S *	10/1983	Bott	D12/193
D281,490	S *	11/1985	Lien	D12/193
D285,784	S *	9/1986	Langensiepen	D12/193
D311,167	S *	10/1990	Ching-Hwei	D12/193
5,012,602	A *	5/1991	Storey	40/201
D354,087	S *	1/1995	Dunlap et al.	D20/42
D367,459	S *	2/1996	Spencer	D12/193
D412,307	S *	7/1999	Hartmann et al.	D12/193

D416,527	S *	11/1999	Steinhagen	D12/193
D437,816	S *	2/2001	Hussaini et al.	D12/193
D488,754	S *	4/2004	Spencer	D12/193
D516,483	S *	3/2006	Eidsmore	D12/193
D537,765	S *	3/2007	Porter	D12/193
D545,259	S *	6/2007	Stahel et al.	D12/193
D557,647	S *	12/2007	Parenti	D12/193
D566,024	S *	4/2008	Pacleb	D12/193
D576,934	S *	9/2008	Hirth et al.	D12/193
D578,049	S *	10/2008	Son	D12/193
D590,311	S *	4/2009	Pacleb	D12/193

* cited by examiner

Primary Examiner—Cathron C Brooks

Assistant Examiner—Austin Murphy

(74) *Attorney, Agent, or Firm*—John K. Park; Park Law Firm

(57) **CLAIM**

The ornamental design for a license plate holder with rearview camera, as shown and described.

DESCRIPTION

FIG. 1 is a perspective view of a license plate holder with rearview camera showing my new design;

FIG. 2 is a front plan view thereof;

FIG. 3 is a side plan view thereof;

FIG. 4 is another side plan view thereof;

FIG. 5 is a top plan view thereof; and,

FIG. 6 is a bottom plan view thereof.

1 Claim, 3 Drawing Sheets

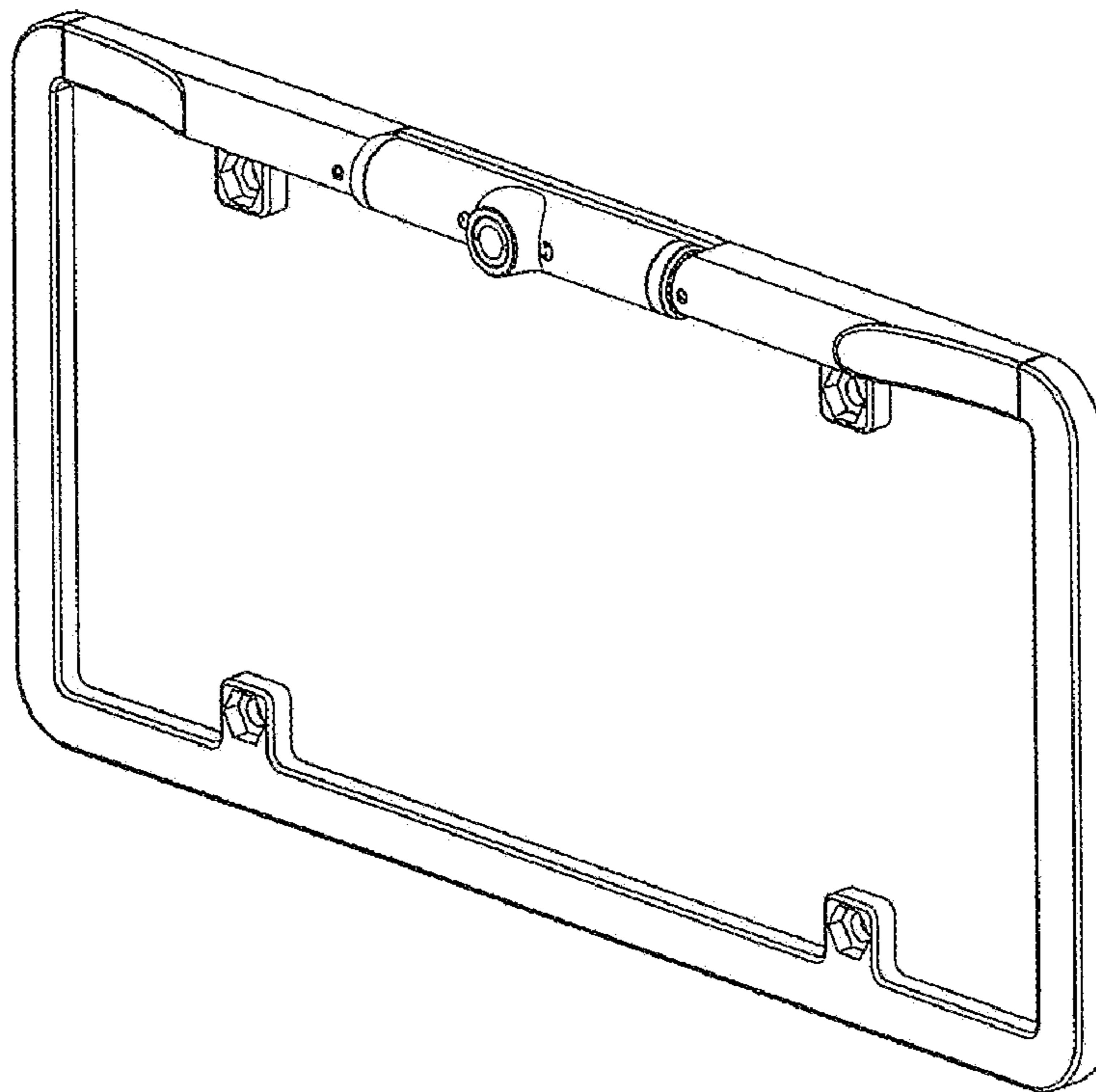


FIG. 1

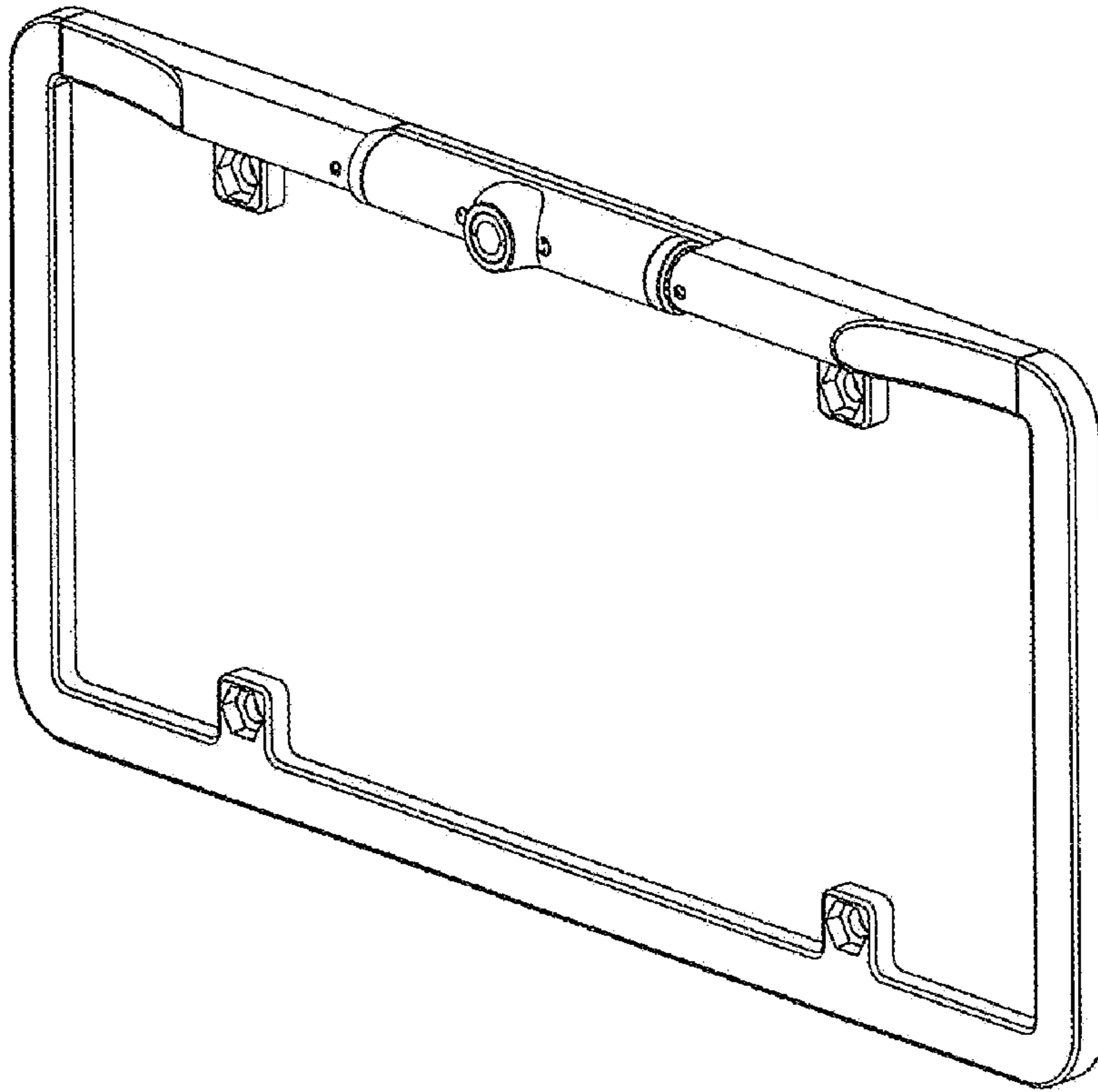


FIG. 2

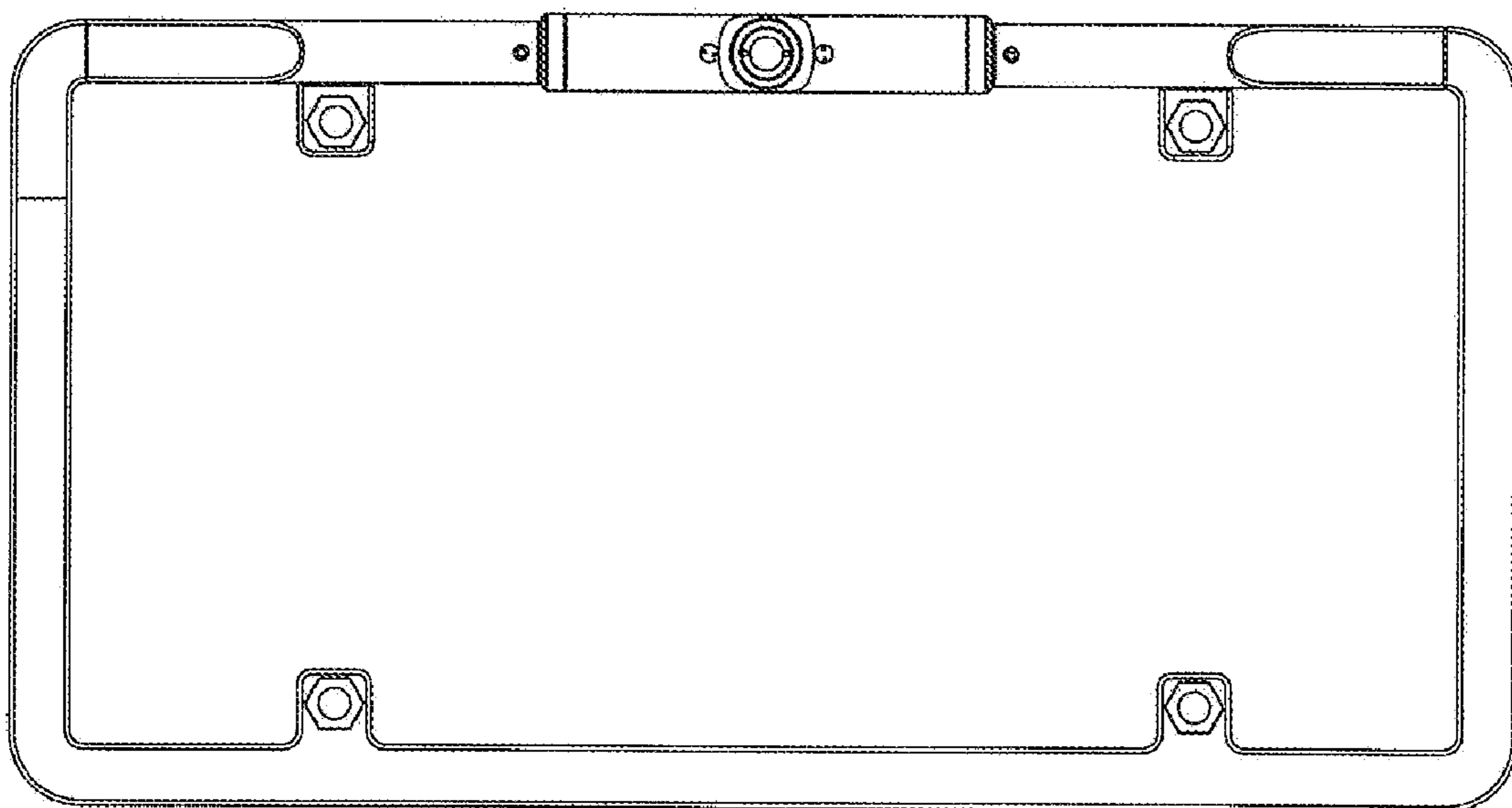


FIG. 3

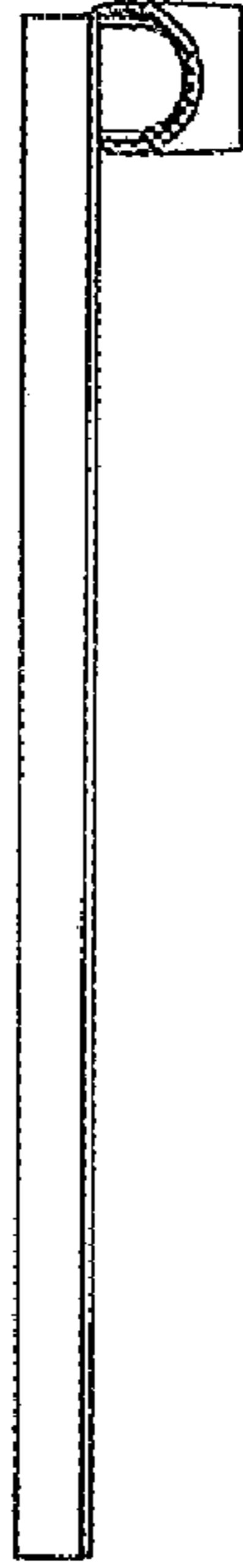


FIG. 4



FIG. 5



FIG. 6

