



US00D596542S

(12) **United States Design Patent**
Bryant

(10) **Patent No.:** **US D596,542 S**
(45) **Date of Patent:** **** Jul. 21, 2009**

(54) **ILLUMINATED CLUTCH LEVER FOR A MOTORCYCLE**

(76) Inventor: **Juaquin C. Bryant**, 28839 Hidden Trail, Farmington Hills, MI (US) 48331

(**) Term: **14 Years**

(21) Appl. No.: **29/318,549**

(22) Filed: **May 22, 2008**

(51) **LOC (9) Cl.** **12-11**

(52) **U.S. Cl.** **D12/179**

(58) **Field of Classification Search** D12/110, D12/114, 179, 180, 111, 174; 362/473, 474; D26/28-34, 51; 74/486-489, 551.9, 502.2, 74/475, 551.8, 491, 529, 473.13-473.15; 280/288.4; 188/24.11-24.22, 2 D, 344, 345; 180/219; D8/303; 16/421

See application file for complete search history.

(56) **References Cited**

U.S. PATENT DOCUMENTS

1,843,331	A *	2/1932	Leffland	362/491
4,319,307	A *	3/1982	Turner	362/474
D272,527	S	2/1984	Worzek et al.		
D283,886	S	5/1986	Trapp		
4,779,169	A *	10/1988	Cruze	362/474
5,008,782	A *	4/1991	Murray	362/474
D327,244	S	6/1992	Mitchell		
D330,000	S	10/1992	DeMuro, Jr.		
5,247,431	A *	9/1993	Liu	362/474
D380,720	S	7/1997	Anderson		
D436,903	S	1/2001	Durdin et al.		
D498,718	S	11/2004	James		
D499,056	S	11/2004	James		
6,974,222	B2 *	12/2005	Mascadri et al.	362/85
D520,419	S	5/2006	Blevins-Catalano		
7,377,673	B1 *	5/2008	Hsiao	362/474

7,481,560 B1 * 1/2009 Jaw 362/474

FOREIGN PATENT DOCUMENTS

FR 2565402 A3 * 12/1995 200/315

* cited by examiner

Primary Examiner—Robin V Webster

Assistant Examiner—Linda Brooks

(74) *Attorney, Agent, or Firm*—Robert K. Roth, Esq.; Miller, Canfield, Paddock and Stone, P.L.C.

(57) **CLAIM**

The ornamental design for a illuminated clutch lever for a motorcycle, as shown and described.

DESCRIPTION

FIG. 1 is an isometric view of an illuminated clutch lever for a motorcycle, which has a lighting portion extending along its front and right sides.

FIG. 2 is a top side view of the illuminated clutch lever for a motorcycle of FIG. 1 shown in position of use on a motorcycle, which is shown in broken lines and forms no part of the claimed design.

FIG. 3 is a front side view of the illuminated clutch lever for a motorcycle of FIG. 1.

FIG. 4 is a back side view of the illuminated clutch lever for a motorcycle of FIG. 1.

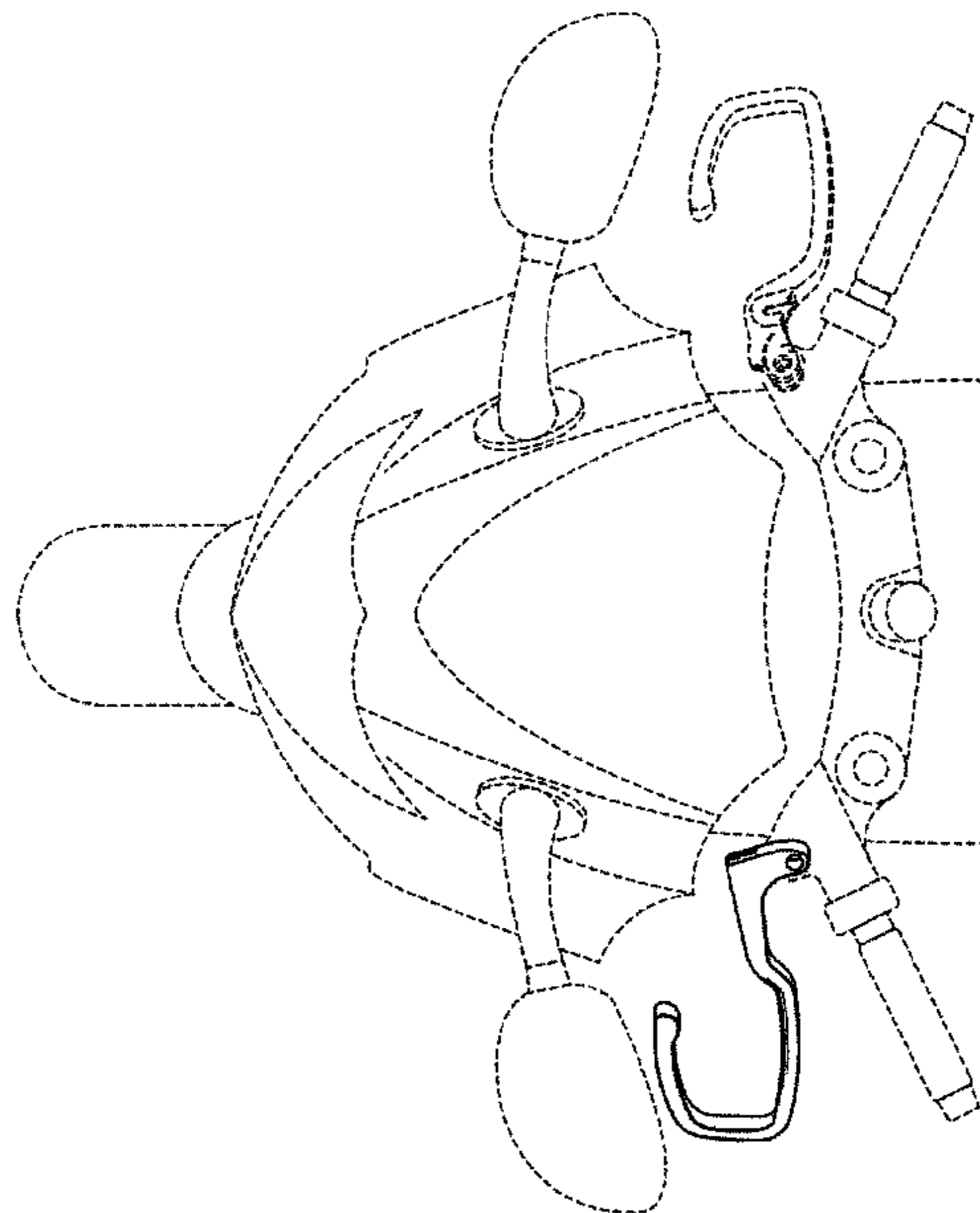
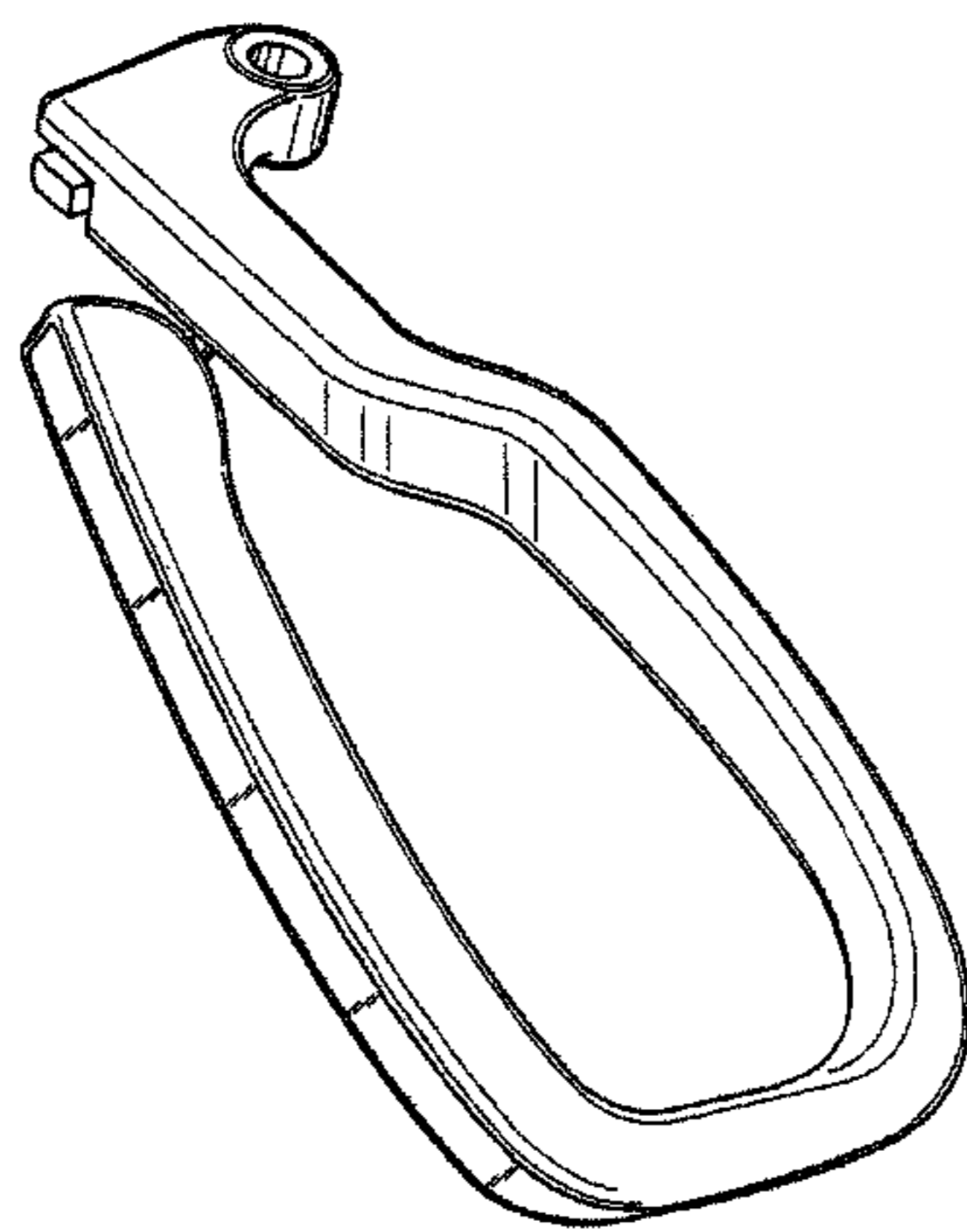
FIG. 5 is a right side view of the illuminated clutch lever for a motorcycle of FIG. 1.

FIG. 6 is a left side view of the illuminated clutch lever for a motorcycle of FIG. 1.

FIG. 7 is a bottom view of the illuminated clutch lever for a motorcycle of FIG. 1; and,

FIG. 8 is an isolated top view of the illuminated clutch lever for a motorcycle of FIG. 2.

1 Claim, 8 Drawing Sheets



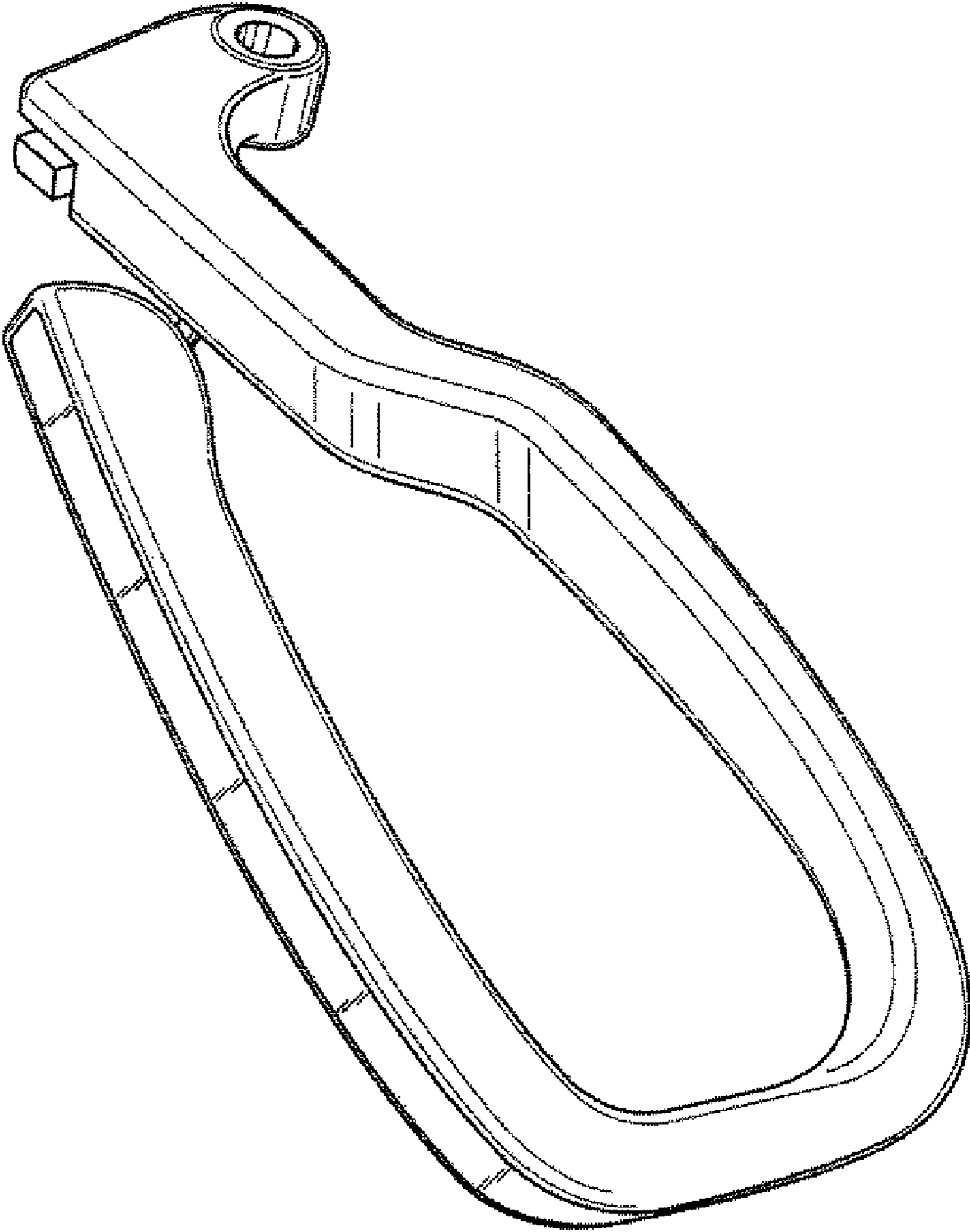


FIG. 1

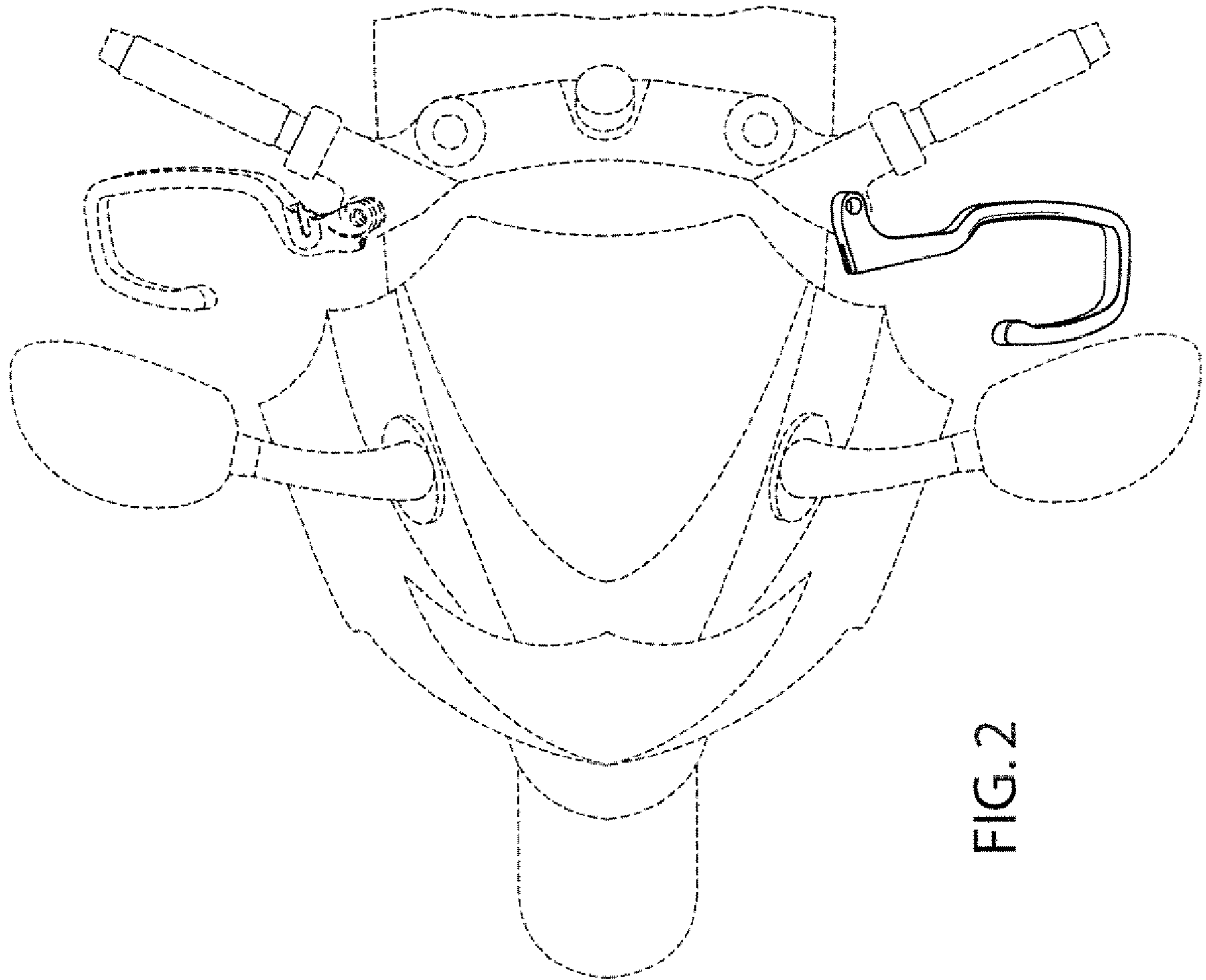


FIG. 2

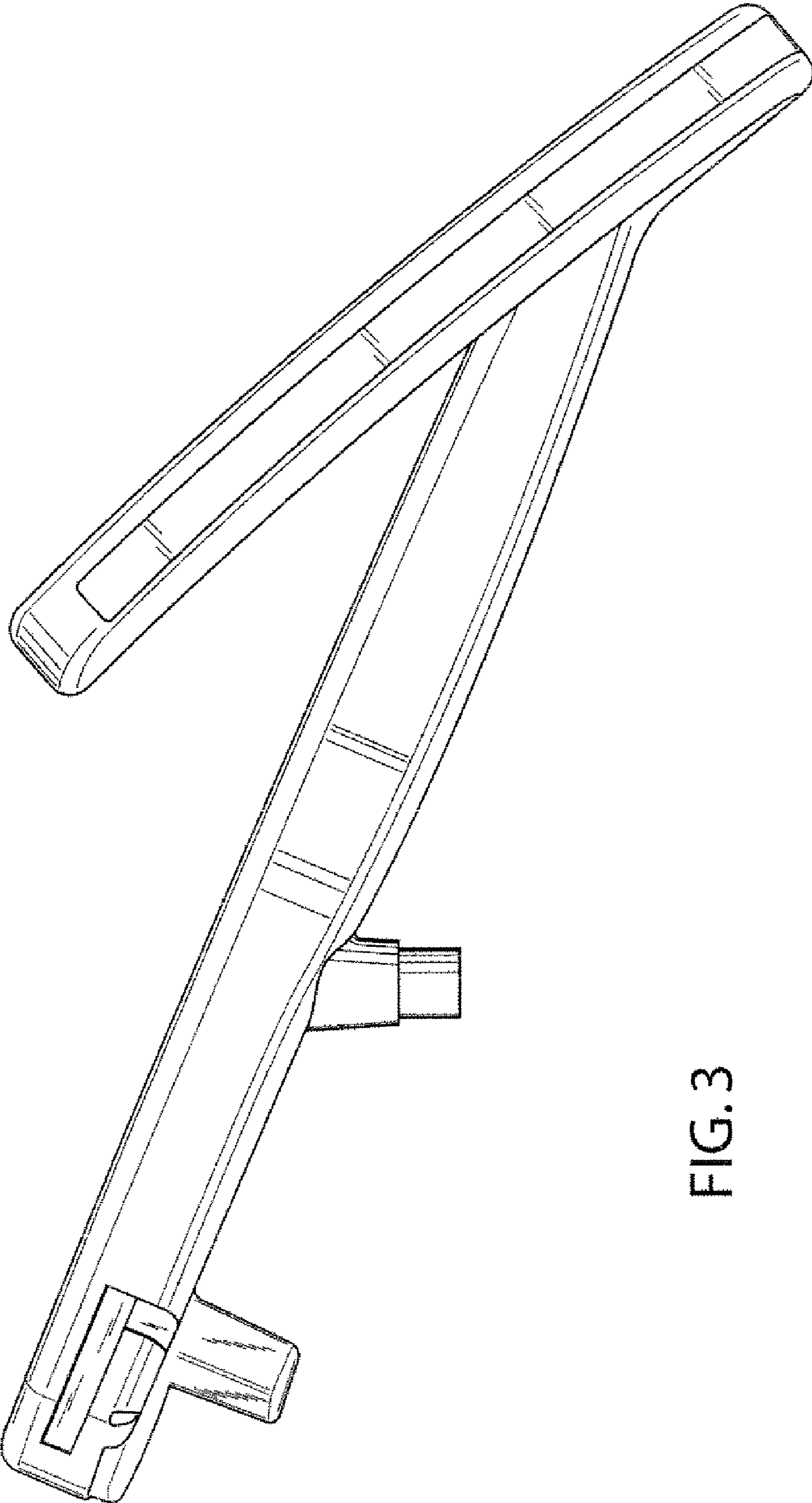


FIG. 3

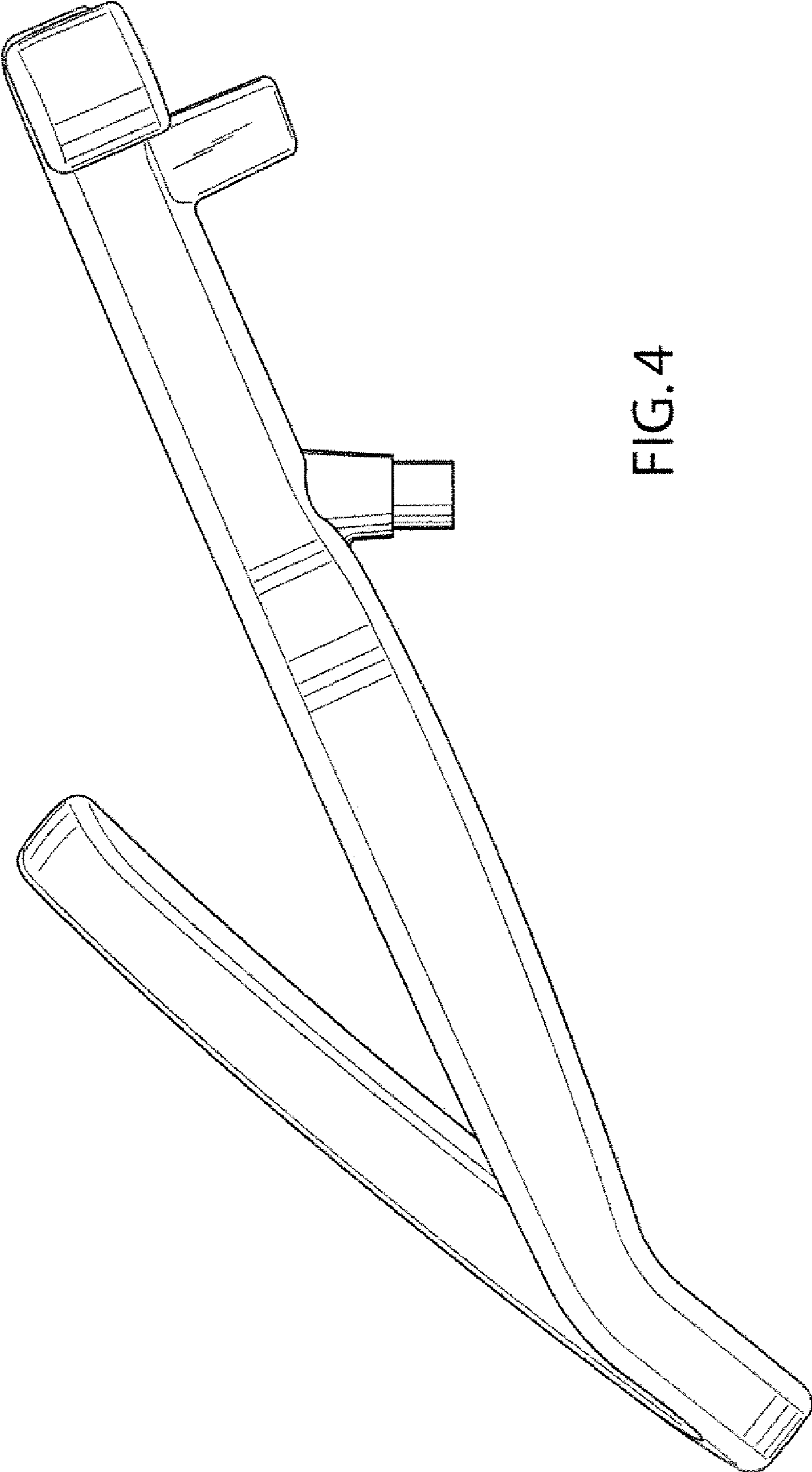


FIG. 4

FIG. 5

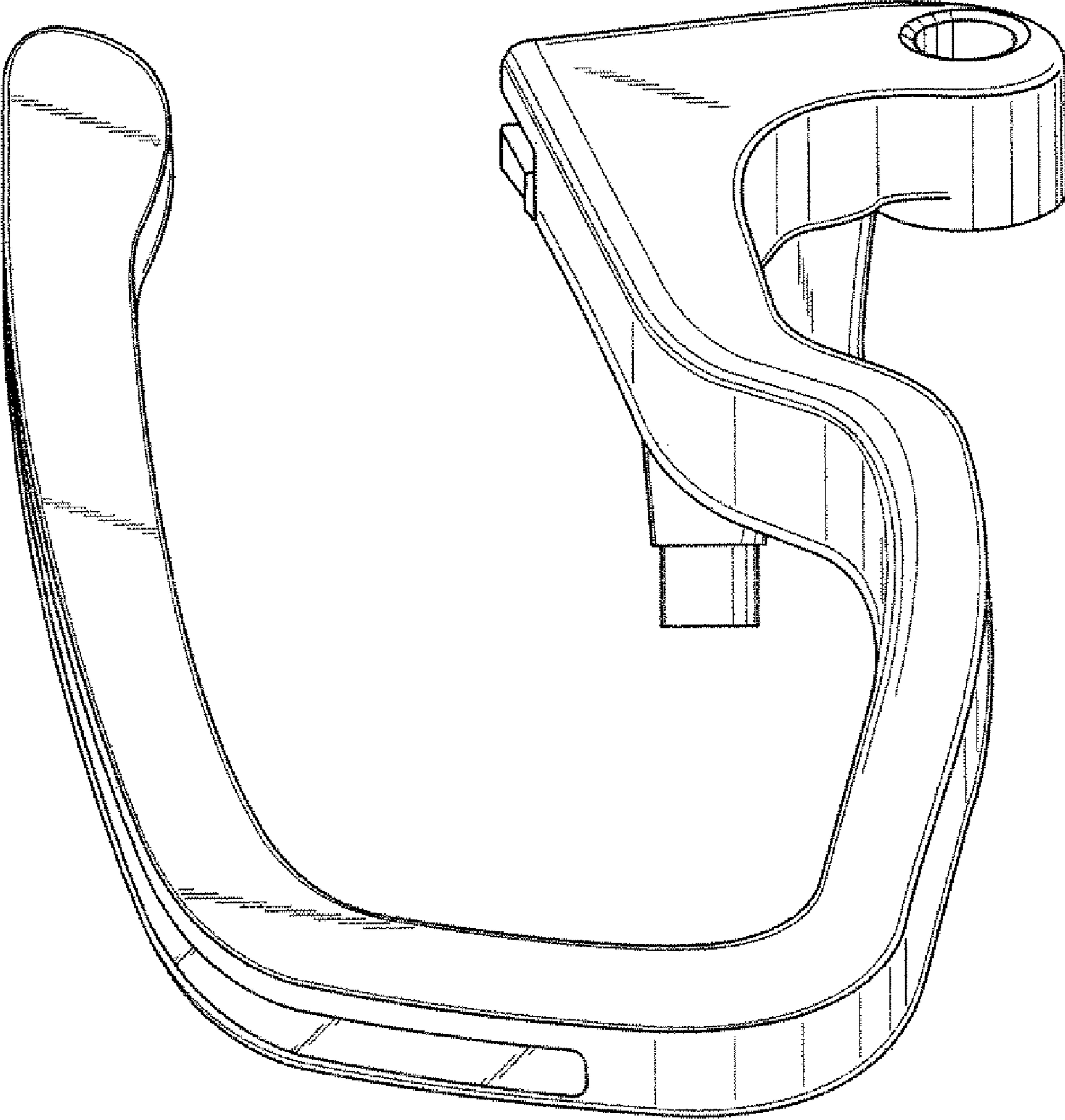
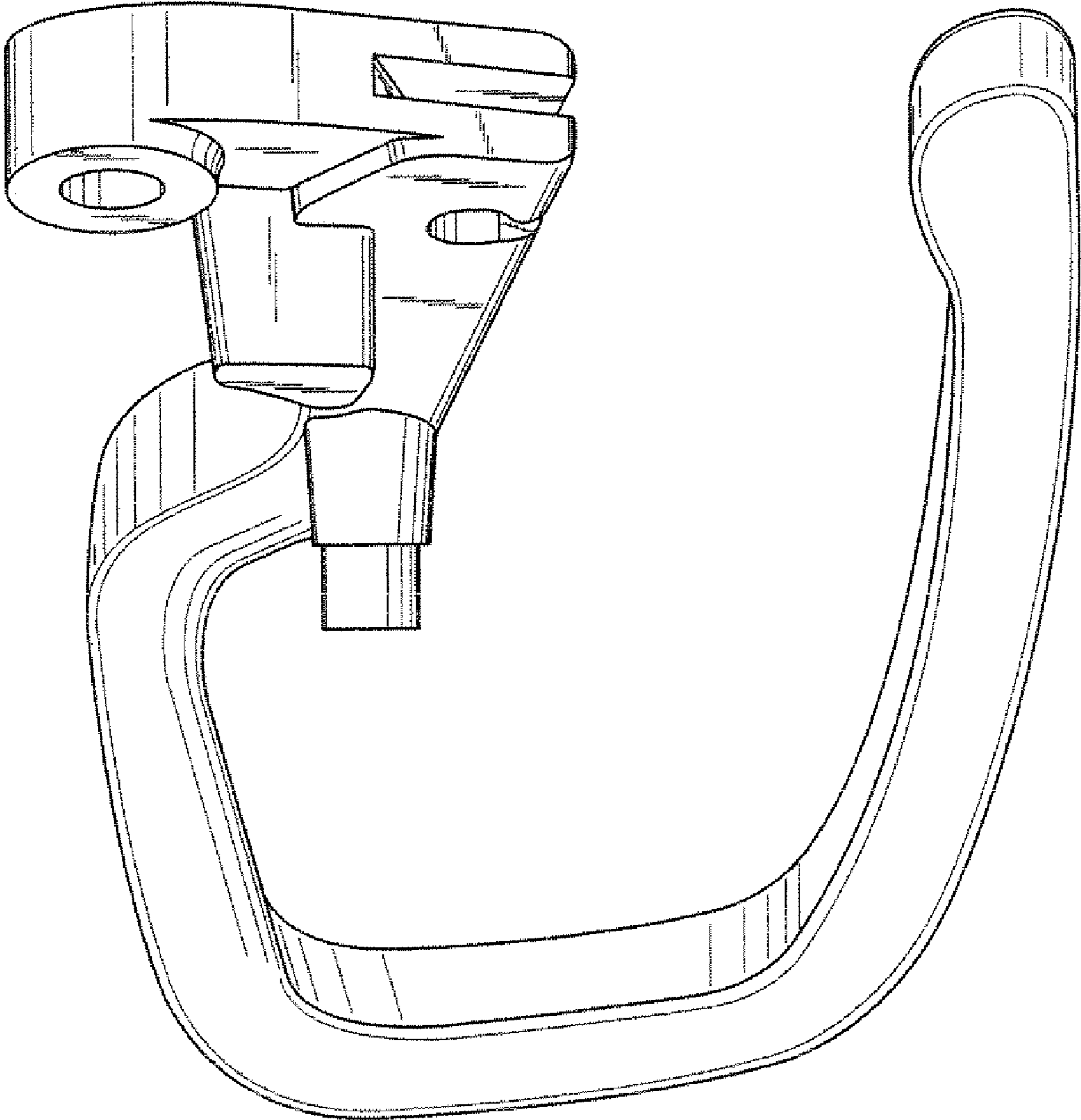


FIG. 6



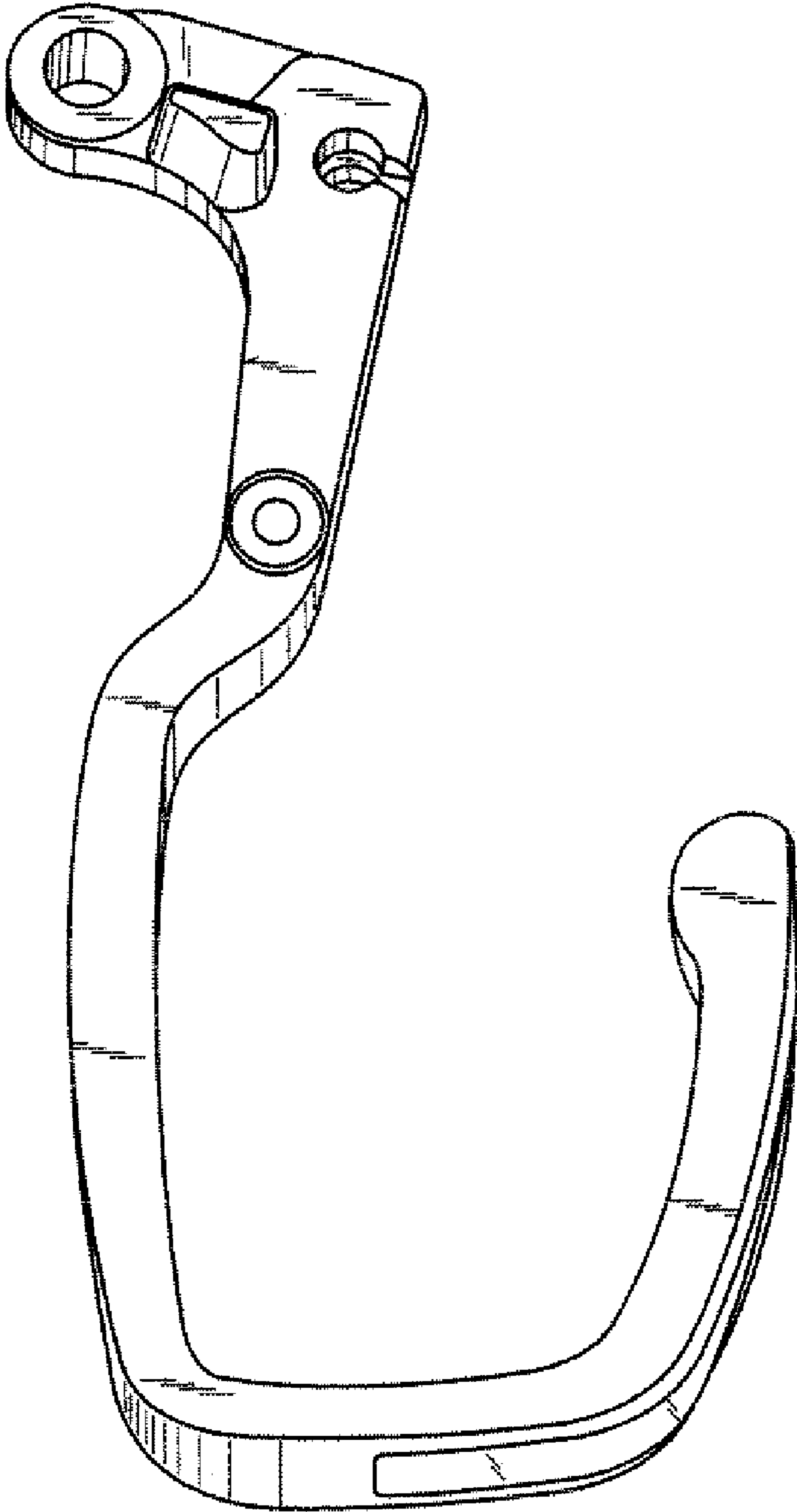


FIG. 7

FIG. 8

