



US00D596539S

(12) **United States Design Patent**  
**Ezra**

(10) **Patent No.:** **US D596,539 S**  
(45) **Date of Patent:** **\*\* Jul. 21, 2009**

(54) **RECEIVER HITCH ANTI-TILT BRACKET**

D483,704 S 12/2003 Fandrich  
7,246,833 B2 \* 7/2007 Exline ..... 293/117  
7,467,804 B2 12/2008 Ezra

(75) Inventor: **Brandon Joshua Ezra**, 9341 South St.  
Rd. 39, Winamac, IN (US) 46996

\* cited by examiner

(73) Assignee: **Brandon Joshua Ezra**, Winamac, IN  
(US)

*Primary Examiner*—T. Chase Nelson  
*Assistant Examiner*—Michael A Pratt

(\*\*) Term: **14 Years**

(57) **CLAIM**

(21) Appl. No.: **29/314,043**

The ornamental design for a receiver hitch anti-tilt bracket, as shown and described.

(22) Filed: **Mar. 2, 2009**

**DESCRIPTION**

(51) **LOC (9) Cl.** ..... **12-16**

FIG. 1 is a front perspective view of a receiver hitch anti-tilt bracket.

(52) **U.S. Cl.** ..... **D12/162**

FIG. 2 is a rear perspective view of a receiver hitch anti-tilt bracket.

(58) **Field of Classification Search** ..... D12/105,  
D12/161, 162, 199, 400; 280/186, 402, 403,  
280/405, 405.1, 405.2, 407, 407.1, 416.2,  
280/455.1, 491.5, 511, 512, 513, 482

FIG. 3 is a front elevation view of the receiver hitch anti-tilt bracket.

See application file for complete search history.

FIG. 4 is a rear elevation view of the receiver hitch anti-tilt bracket.

(56) **References Cited**

**U.S. PATENT DOCUMENTS**

4,050,714 A	9/1977	Epp
5,344,175 A	9/1994	Speer
5,620,198 A	4/1997	Borchers
6,010,143 A	1/2000	Stein
6,068,282 A	5/2000	Floe
6,105,989 A	8/2000	Linger
6,142,502 A	11/2000	Breslin
D466,845 S	12/2002	Kutzscher
6,609,725 B1	8/2003	Williams

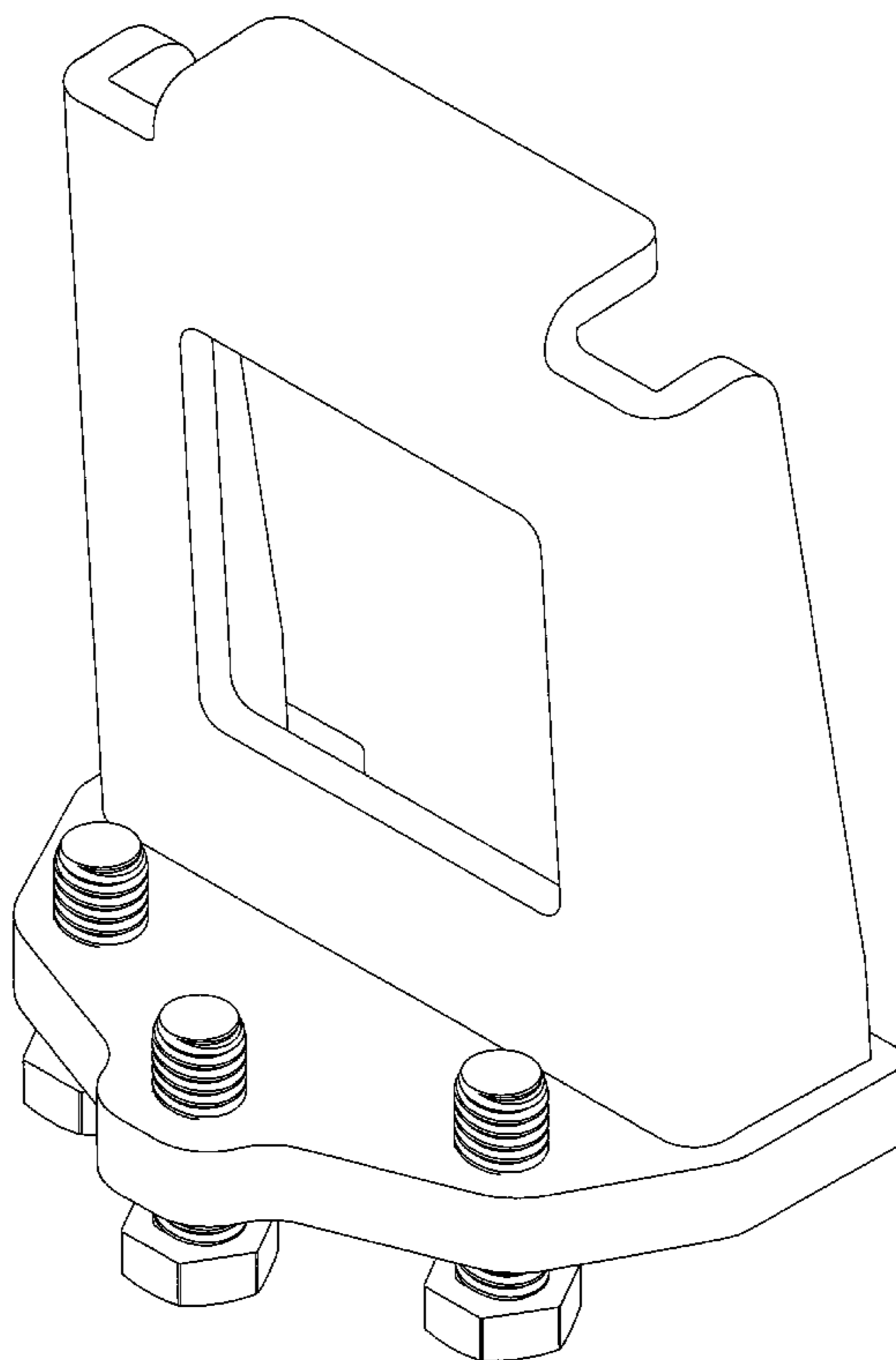
FIG. 5 is a top plan view of the receiver hitch anti-tilt bracket.

FIG. 6 is a bottom plan view of the receiver hitch anti-tilt bracket.

FIG. 7 is a left side elevation view of the receiver hitch anti-tilt bracket; and,

FIG. 8 is a right side elevation view of the receiver hitch anti-tilt bracket.

**1 Claim, 8 Drawing Sheets**



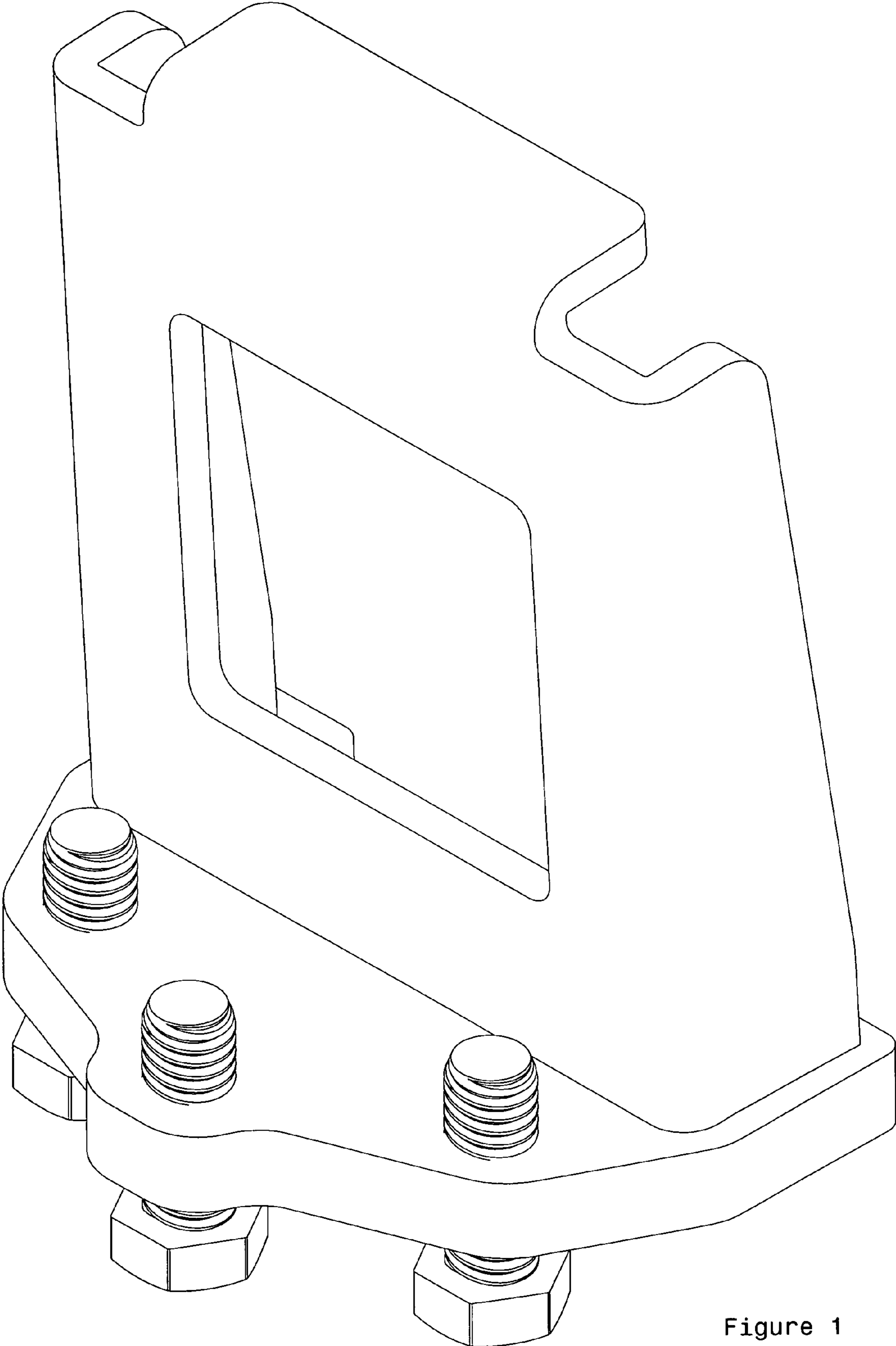


Figure 1

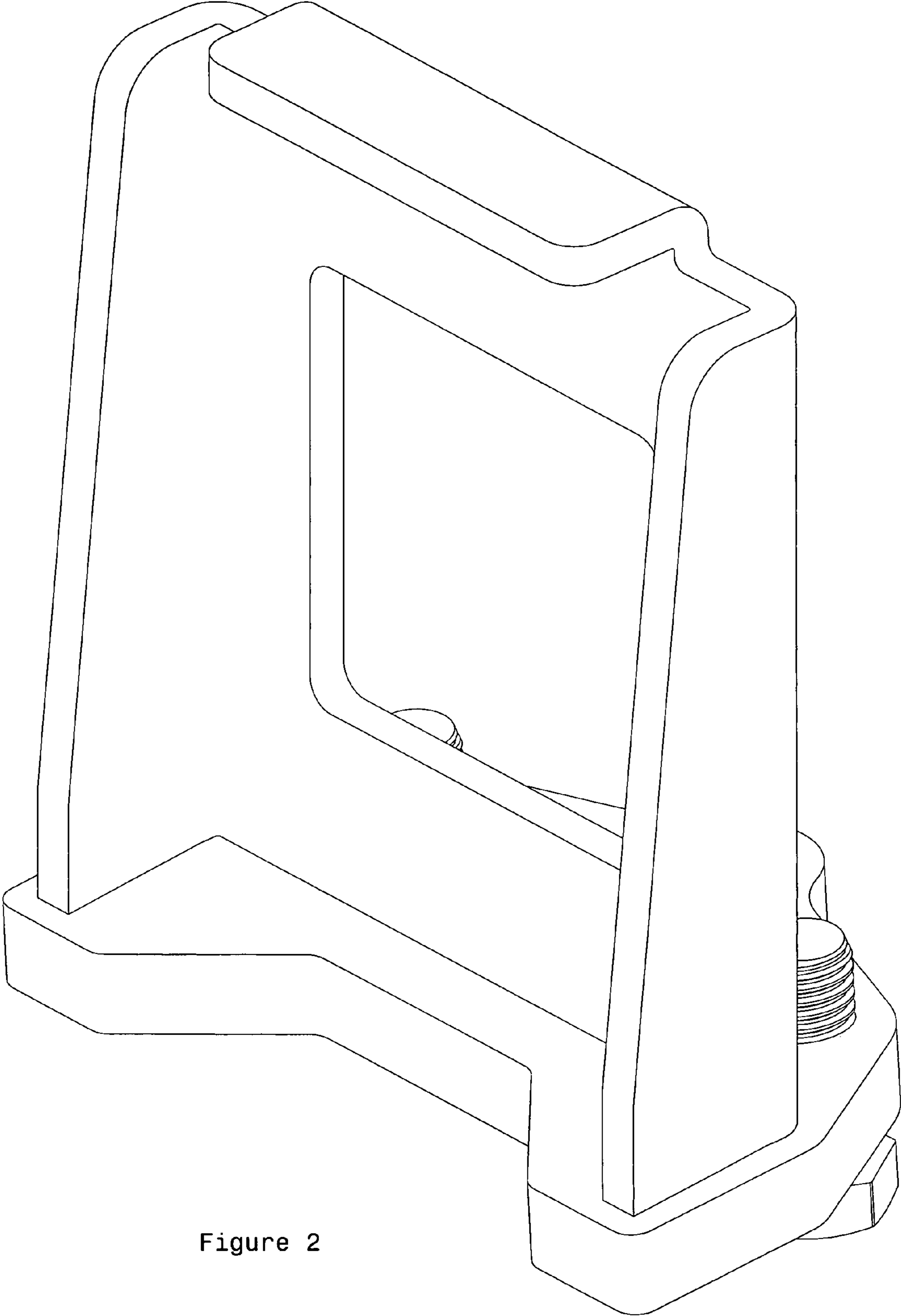


Figure 2

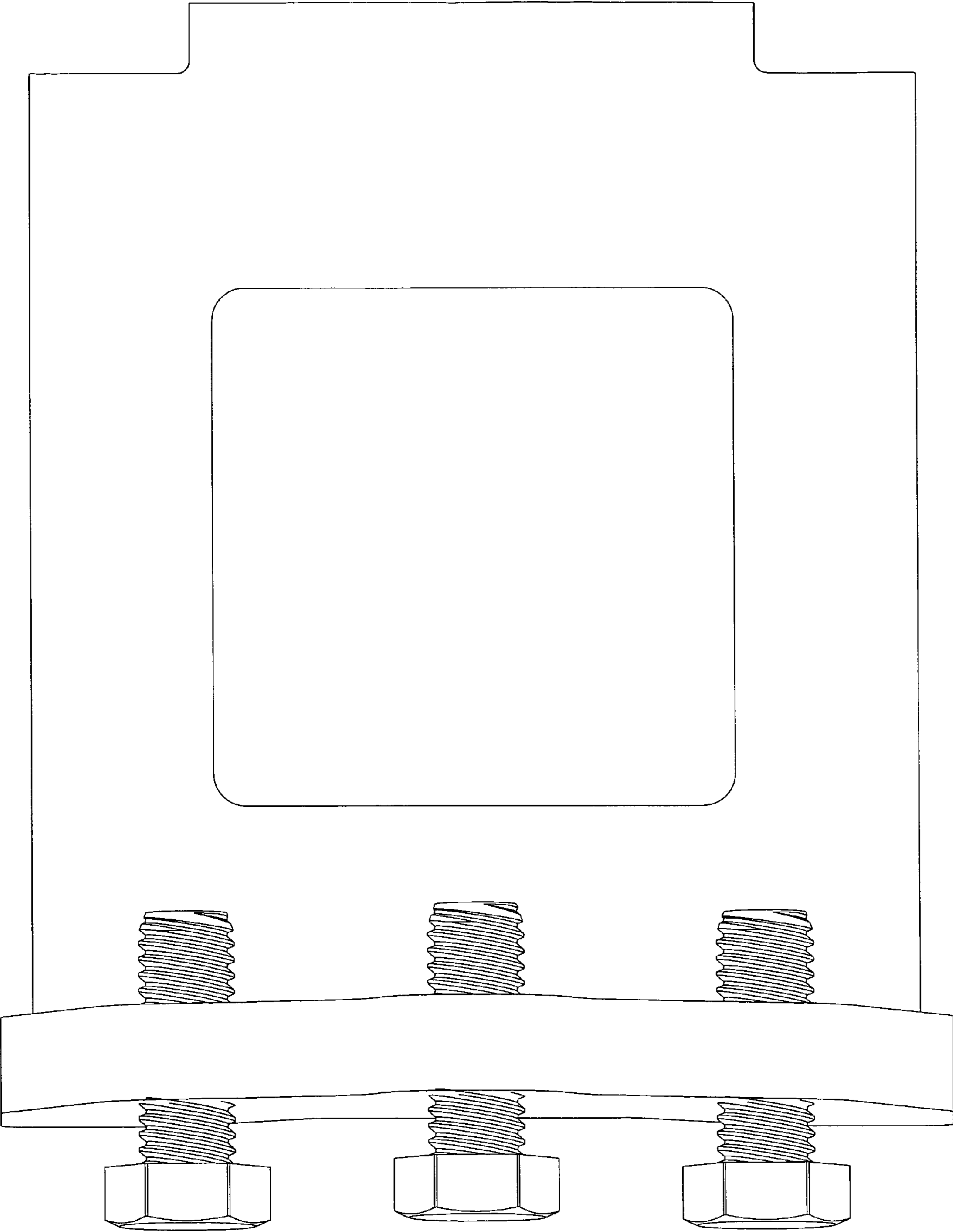


Figure 3

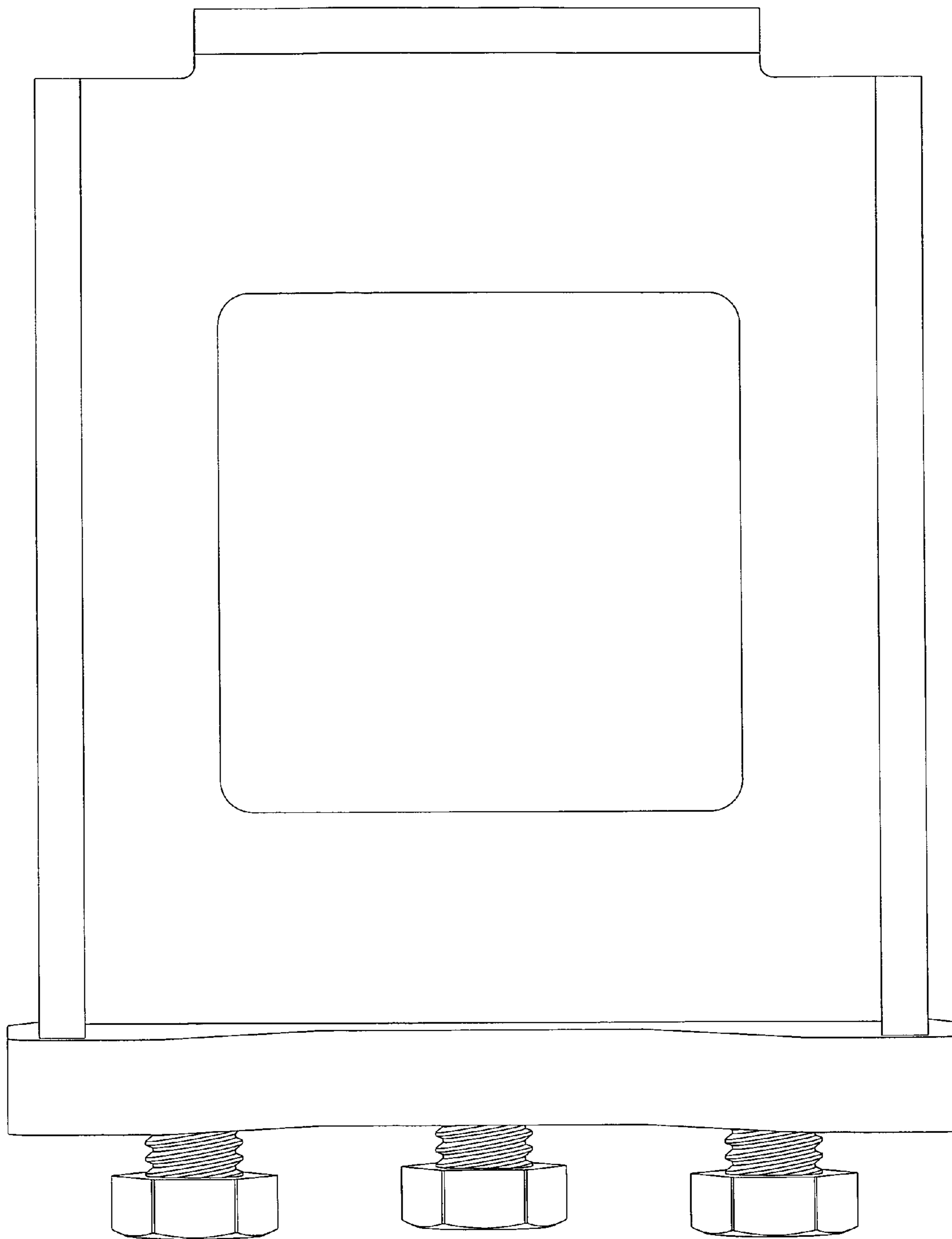


Figure 4

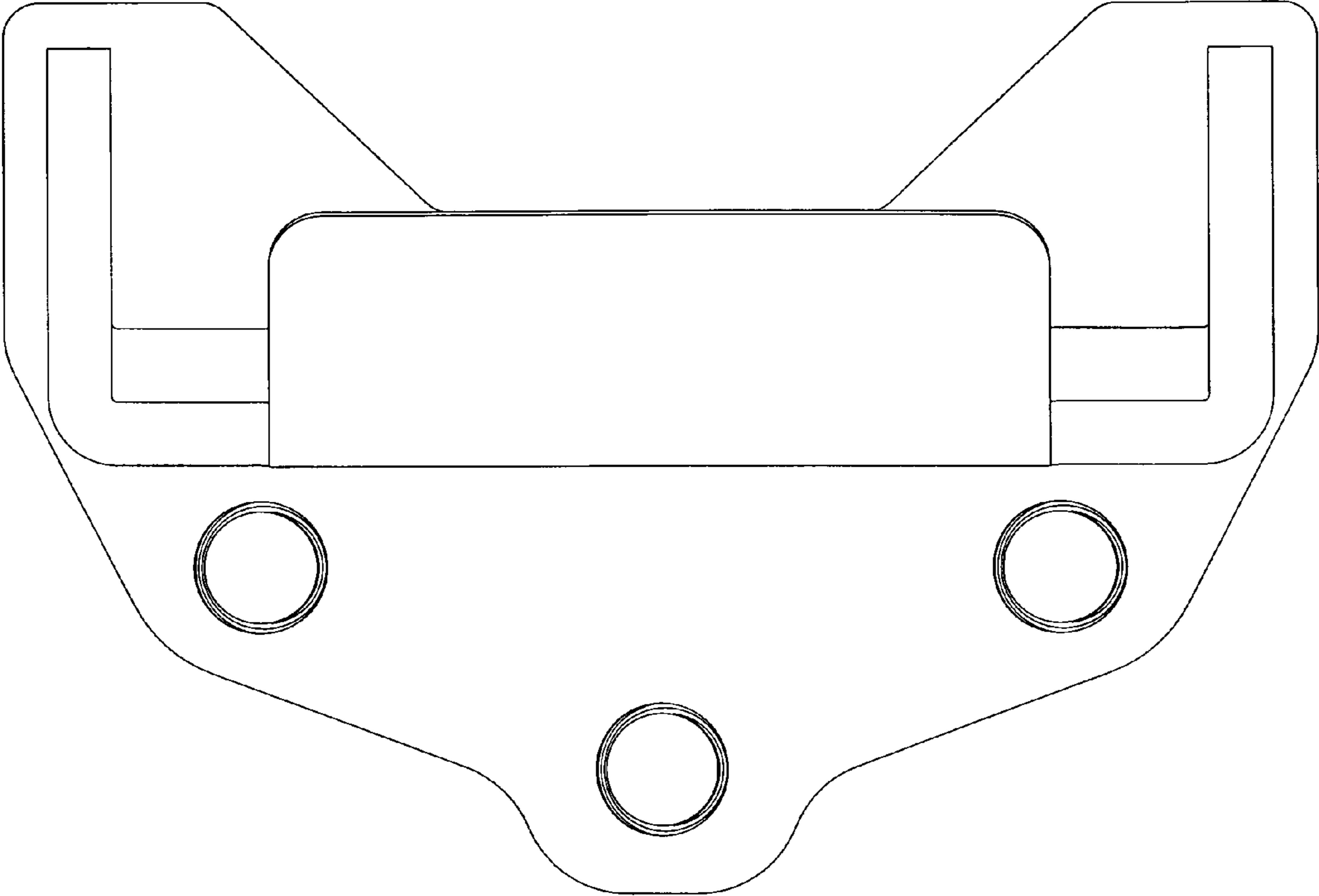


Figure 5

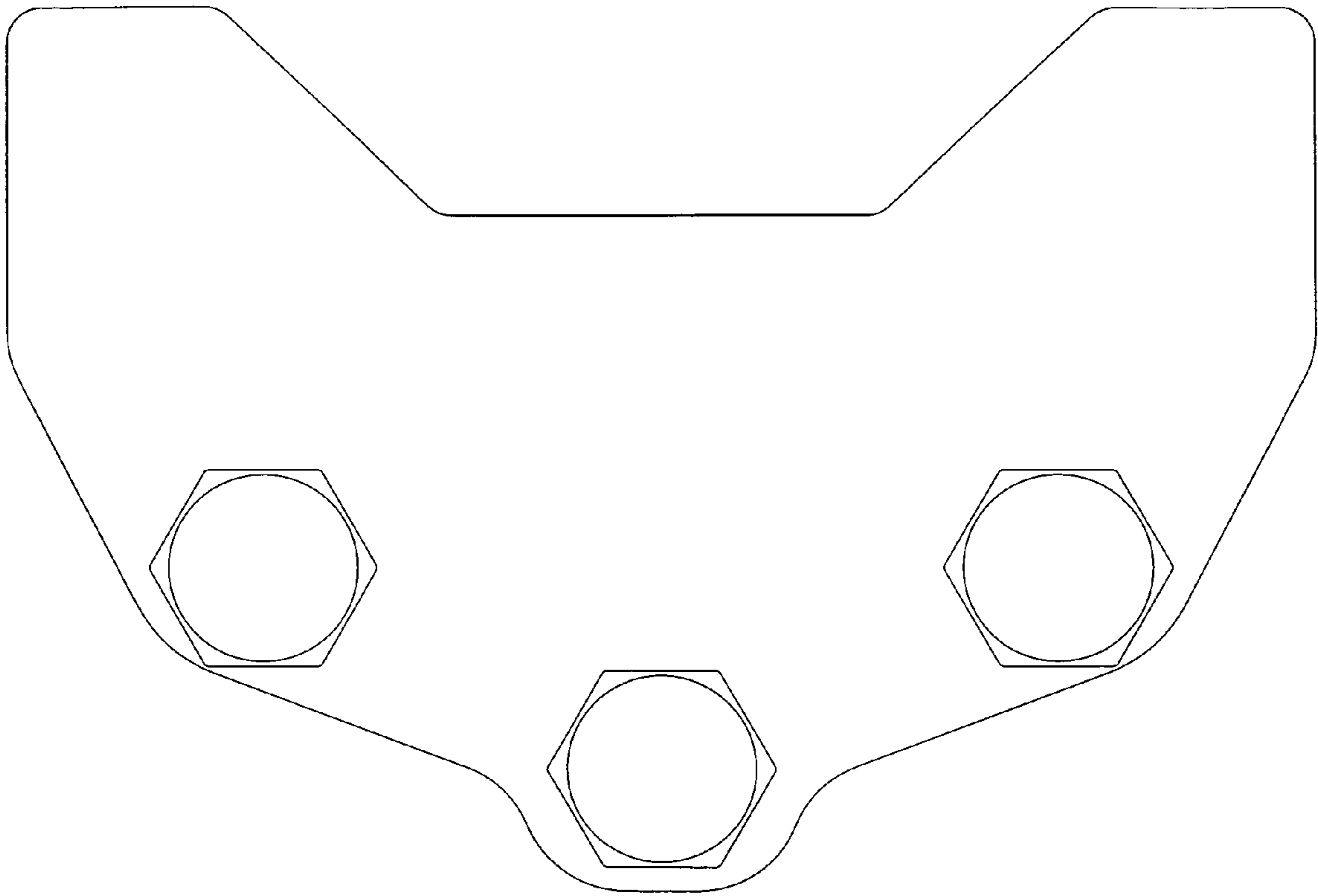


Figure 6

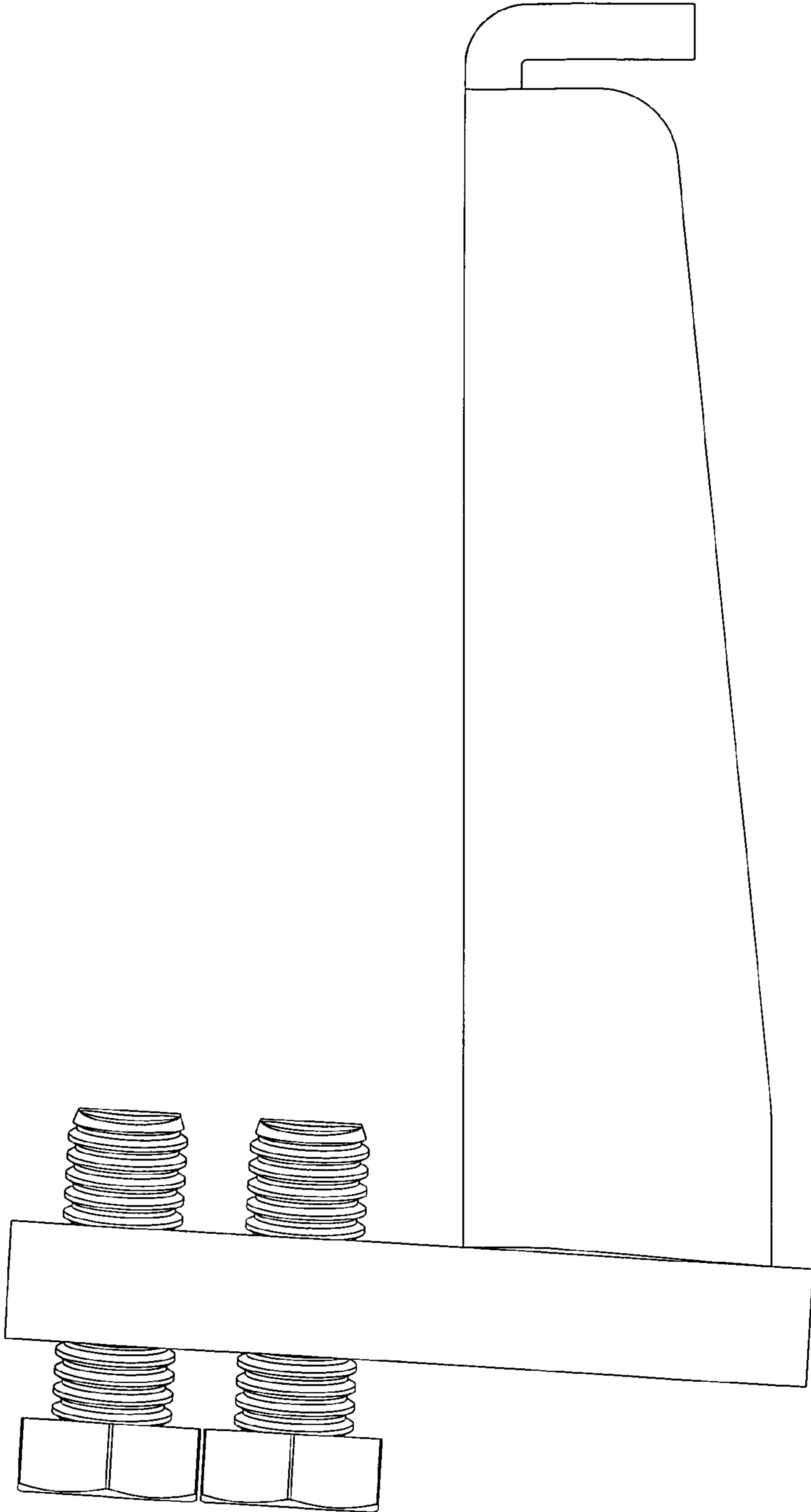


Figure 7



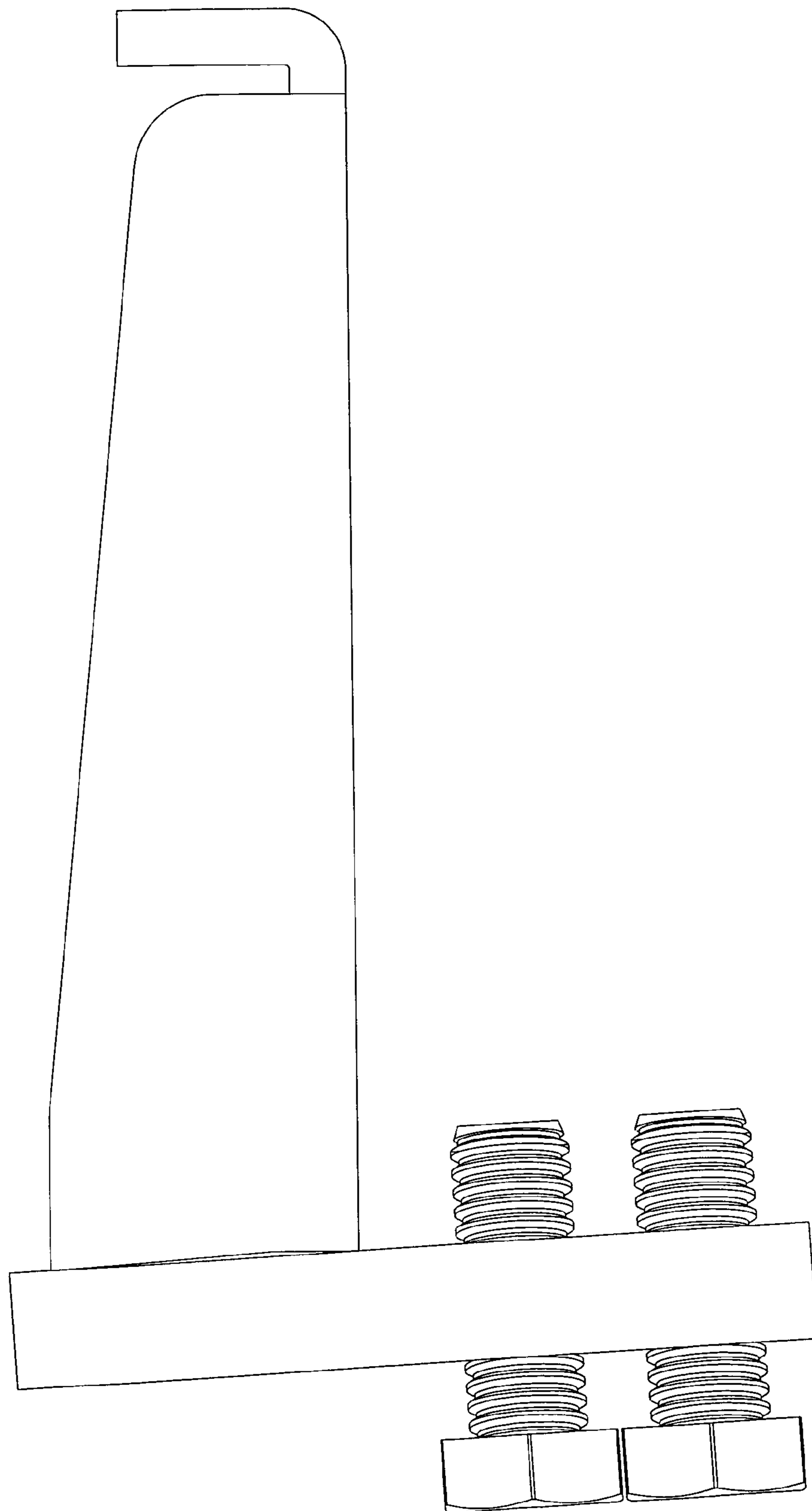


Figure 8