



US00D596536S

(12) **United States Design Patent**
Katagiri et al.

(10) **Patent No.:** **US D596,536 S**
(45) **Date of Patent:** **** Jul. 21, 2009**

(54) **REAR COVER FOR A MOTOR SCOOTER**

(75) Inventors: **Kiyoshi Katagiri**, Wako (JP); **Fujio Nakamura**, Wako (JP)

(73) Assignee: **Honda Motor Co., Ltd.**, Tokyo (JP)

(**) Term: **14 Years**

(21) Appl. No.: **29/300,050**

(22) Filed: **Feb. 14, 2008**

(30) **Foreign Application Priority Data**

Aug. 15, 2007 (JP) 2007-022251

(51) **LOC (9) Cl.** **12-11**

(52) **U.S. Cl.** **D12/126**

(58) **Field of Classification Search** D12/110,
D12/126, 181, 186; 296/77.1, 78.1, 192,
296/193.01, 193.05, 193.08; 280/304.3,
280/304.4, 152.1-152.3, 847, 848, 852; 180/68.1,
180/219, 220, 225, 229

See application file for complete search history.

(56) **References Cited**

U.S. PATENT DOCUMENTS

D503,908 S * 4/2005 Tomomatsu et al. D12/110

D524,191 S * 7/2006 Sugimoto D12/110
D537,386 S * 2/2007 Mizuta et al. D12/110
D557,639 S * 12/2007 Xu D12/126

* cited by examiner

Primary Examiner—Robin V Webster

Assistant Examiner—Linda Brooks

(74) *Attorney, Agent, or Firm*—Birch, Stewart, Kolasch & Birch, LLP

(57) **CLAIM**

The ornamental design for, a rear cover for a motor scooter, as shown and described.

DESCRIPTION

FIG. 1 is a perspective view of A rear cover for a motor scooter, showing our new design;

FIG. 2 is a front elevation view thereof;

FIG. 3 is a top plan view thereof;

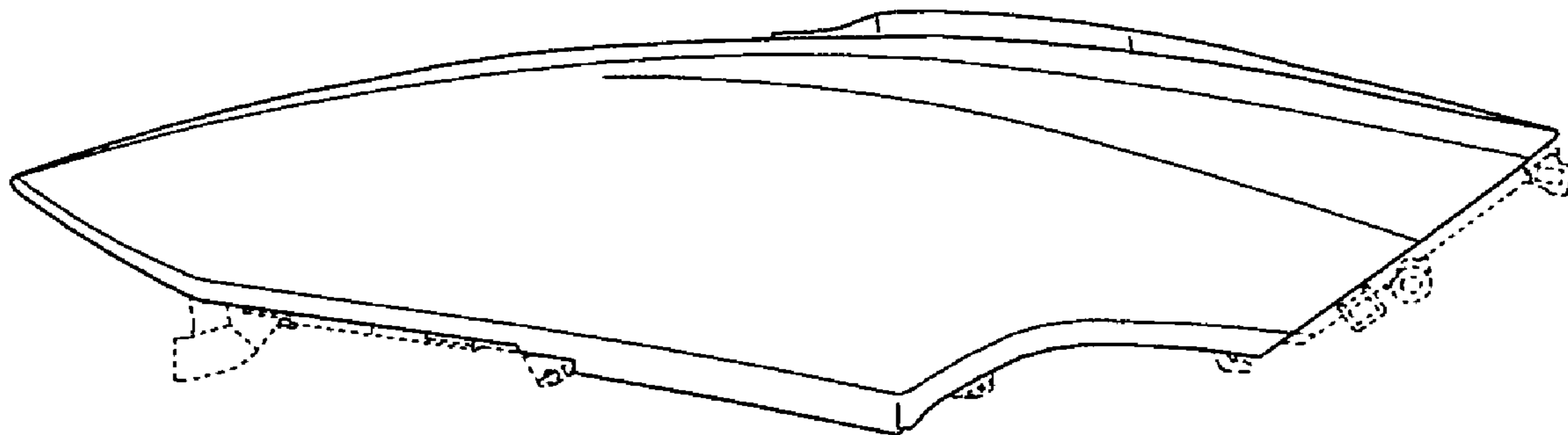
FIG. 4 is a bottom plan view thereof;

FIG. 5 is a right side elevation view thereof; and,

FIG. 6 is a left side elevation view thereof.

The elements shown in broken lines form no part of the claimed design.

1 Claim, 4 Drawing Sheets



F I G. 1

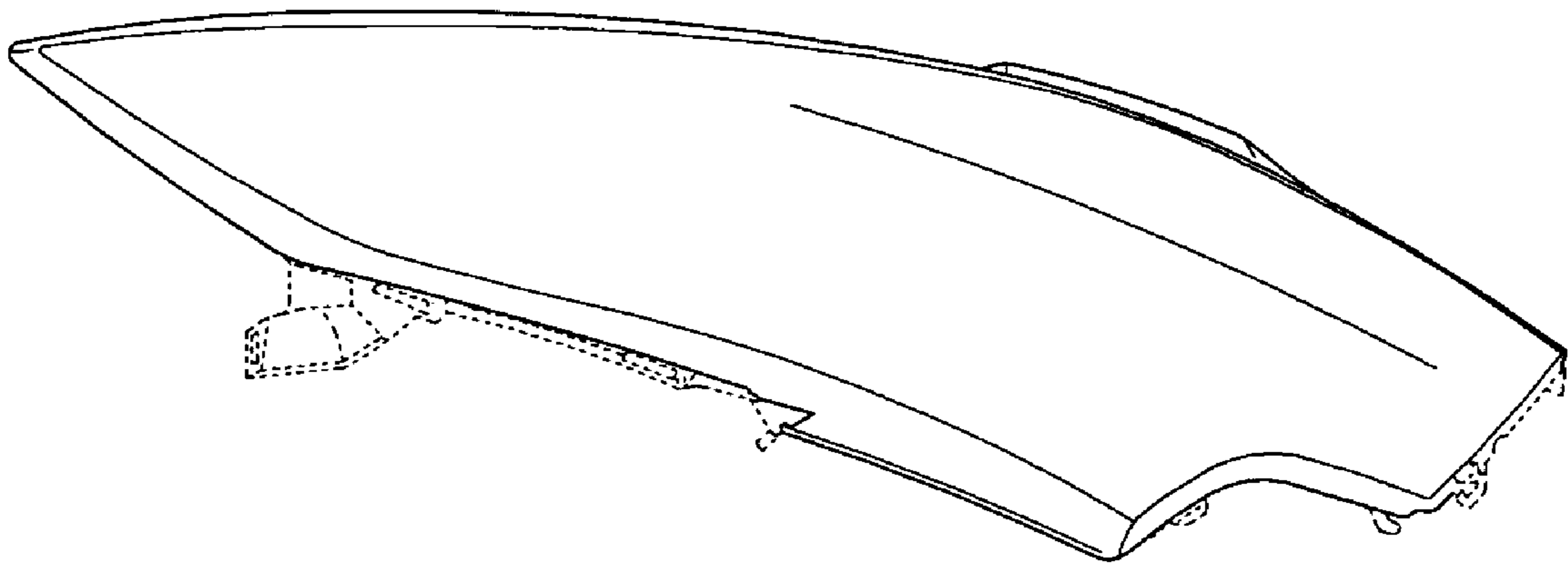
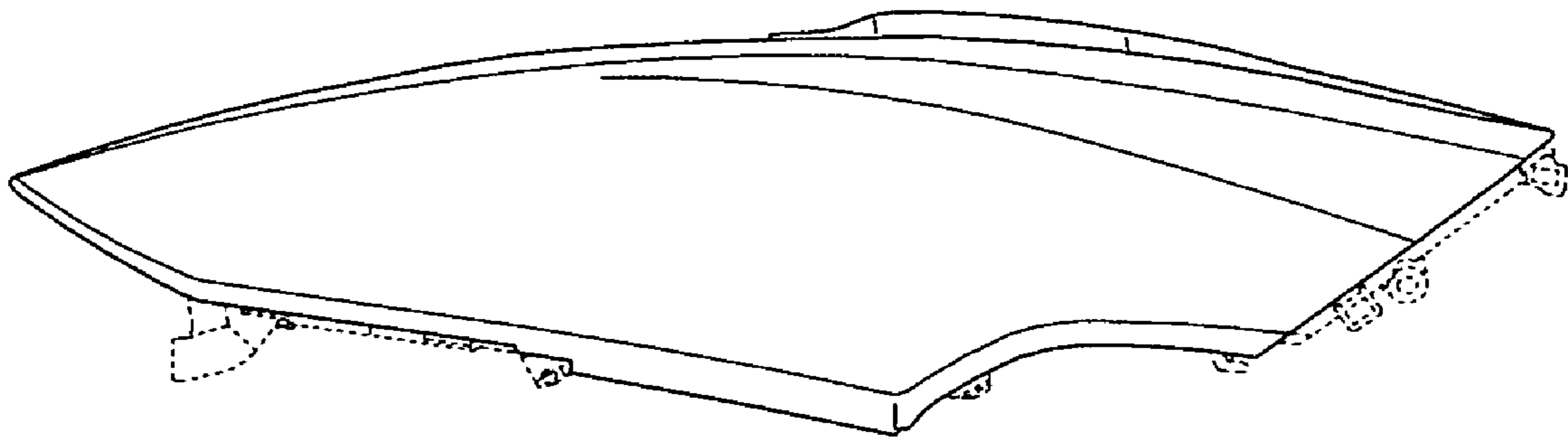
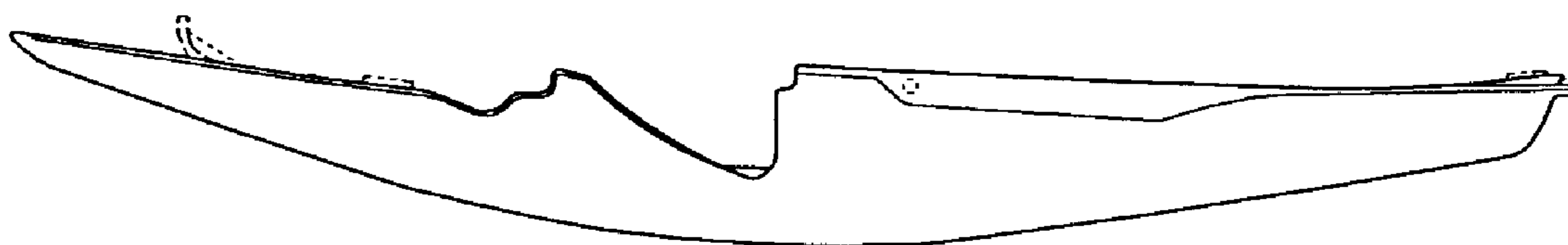


FIG. 2



F I G. 3



F I G. 4

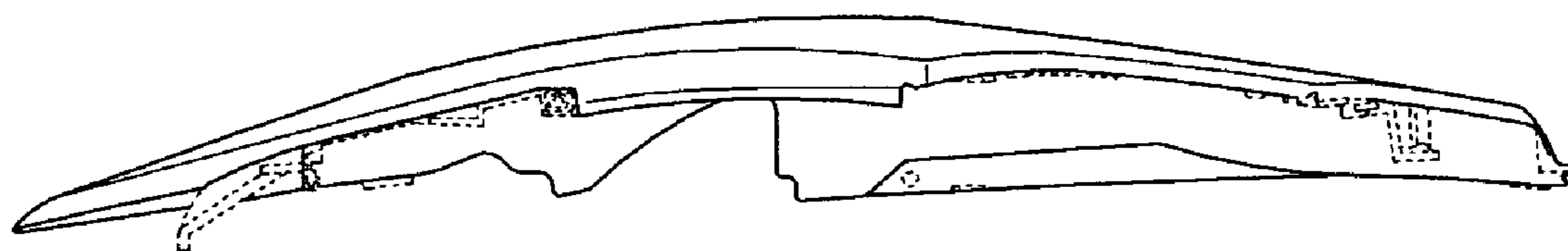


FIG. 5

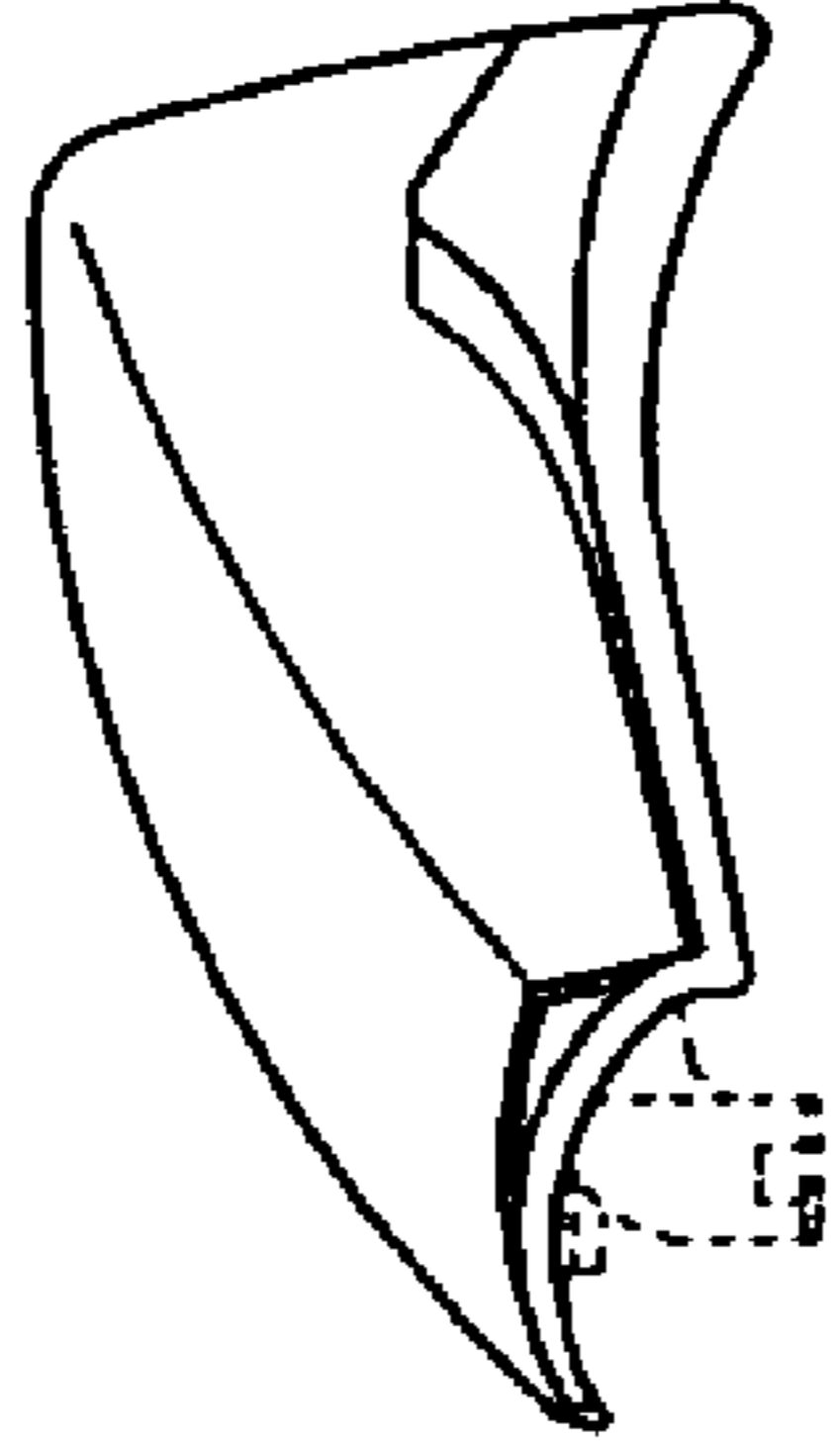


FIG. 6

