



US00D596532S

(12) **United States Design Patent**
Opfer et al.

(10) **Patent No.:** **US D596,532 S**
(45) **Date of Patent:** **** Jul. 21, 2009**

(54) **AUTOMOBILE BODY**

(75) Inventors: **John G Opfer**, Rochester, MI (US);
Mark Surel, Ferndale, MI (US); **Dennis Myles**, West Bloomfield, MI (US)

(73) Assignee: **Chrysler LLC**, Auburn Hills, MI (US)

(**) Term: **14 Years**

(21) Appl. No.: **29/331,842**

(22) Filed: **Feb. 3, 2009**

Related U.S. Application Data

(62) Division of application No. 29/303,124, filed on Feb. 1, 2008, now Pat. No. Des. 586,699.

(51) **LOC (9) Cl.** **12-08**

(52) **U.S. Cl.** **D12/98**

(58) **Field of Classification Search** D12/86,
D12/90-92, 98; 296/181.1, 181.5, 183.1,
296/37.6

See application file for complete search history.

(56) **References Cited**

U.S. PATENT DOCUMENTS

D504,357 S * 4/2005 Aneiros et al. D12/98

D537,016 S * 2/2007 Shimoguchi et al. D12/98
D570,742 S * 6/2008 Takagi et al. D12/98
D570,743 S * 6/2008 Takagi et al. D12/98

* cited by examiner

Primary Examiner—Melody N Brown
(74) *Attorney, Agent, or Firm*—Ralph E. Smith

(57) **CLAIM**

The ornamental design for an automobile body, as shown and described.

DESCRIPTION

FIG. 1 is a front perspective view of an automobile body showing our new design;

FIG. 2 is a side view of FIG. 1;

FIG. 3 is a front view of FIG. 1;

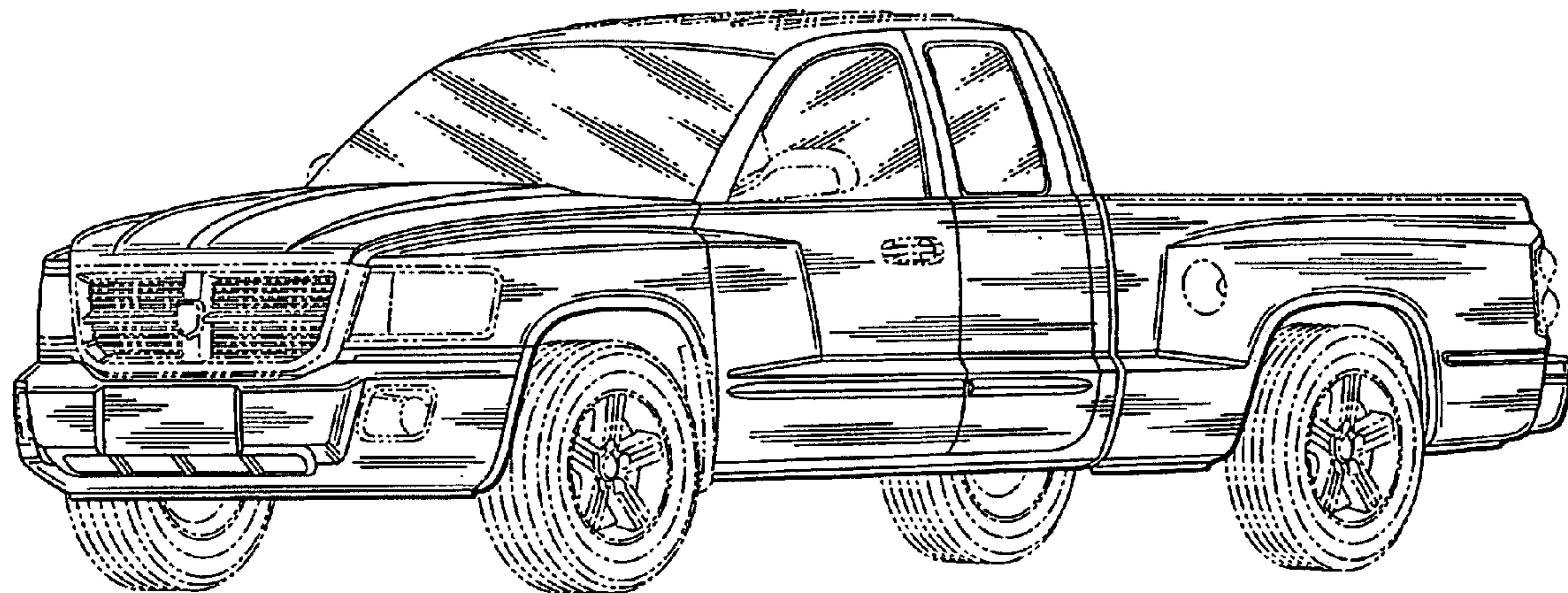
FIG. 4 is a rear view of FIG. 1;

FIG. 5 is a rear perspective view of FIG. 1; and,

FIG. 6 is a top plan view of FIG. 1.

It will be understood that the broken lines presented in the drawings are for illustration only, and do not form a part of the claimed design.

1 Claim, 5 Drawing Sheets



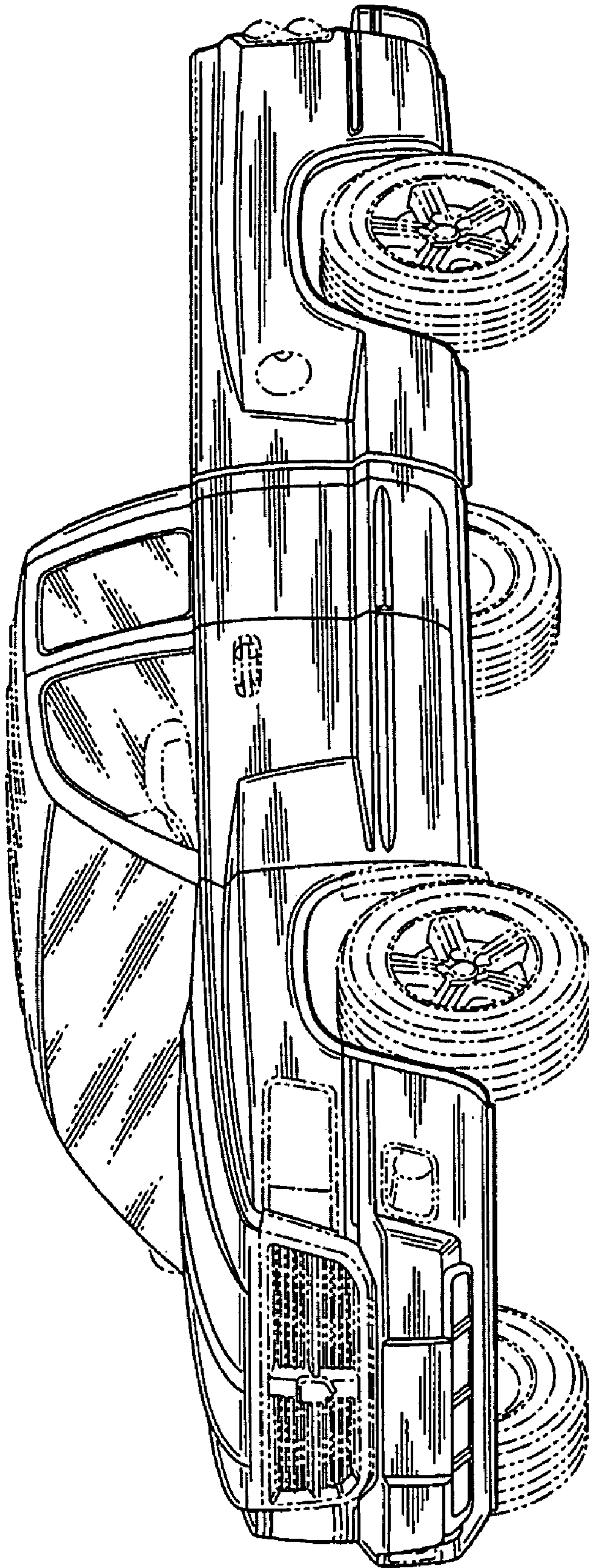


Fig. 1

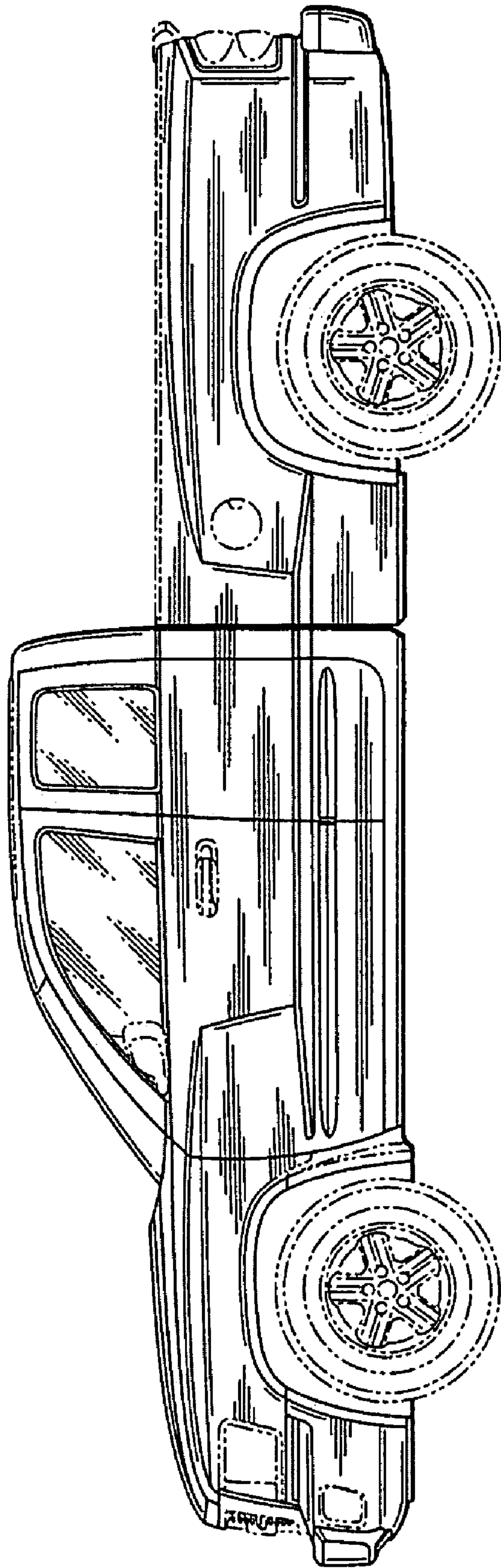


Fig. 2

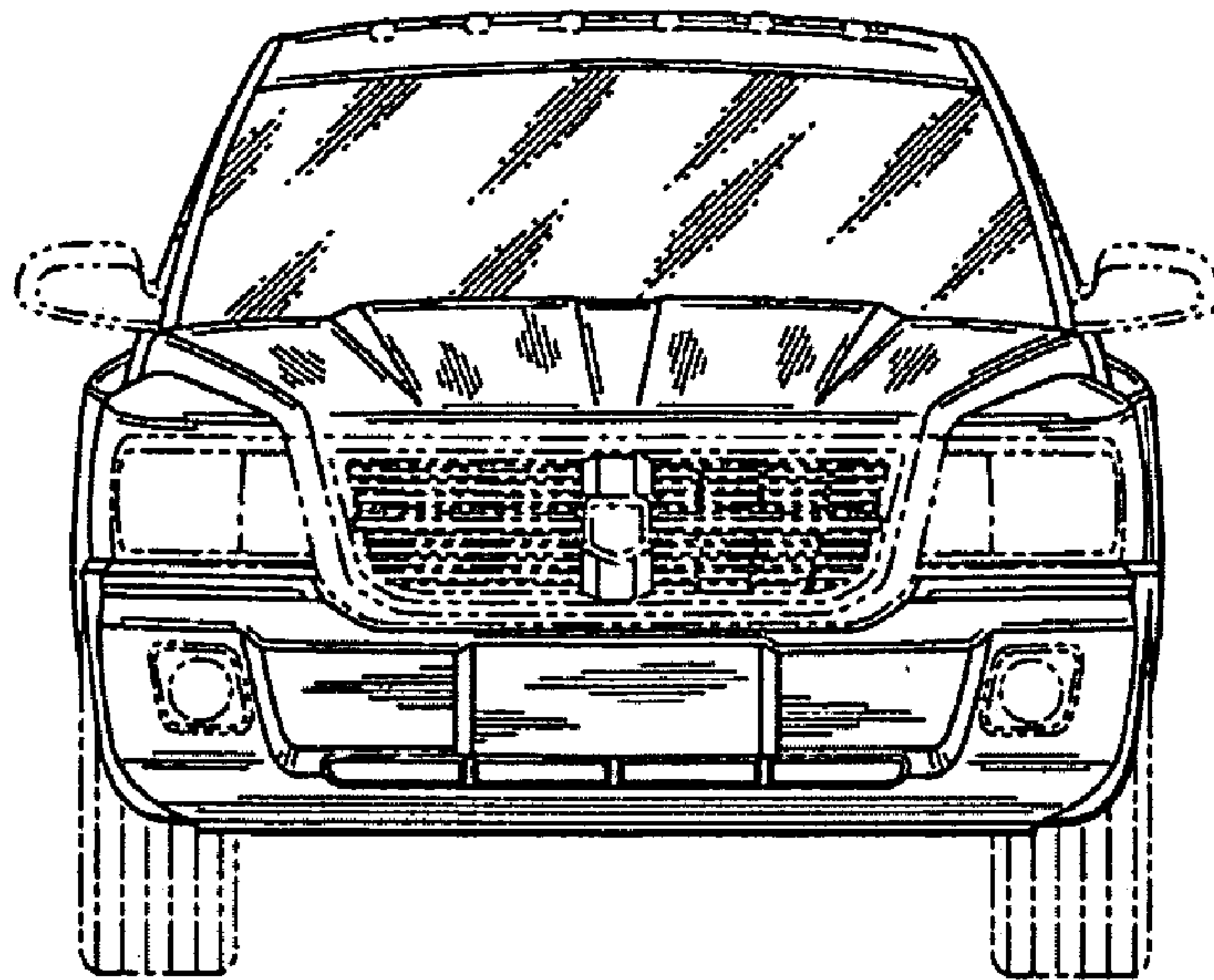


Fig. 3

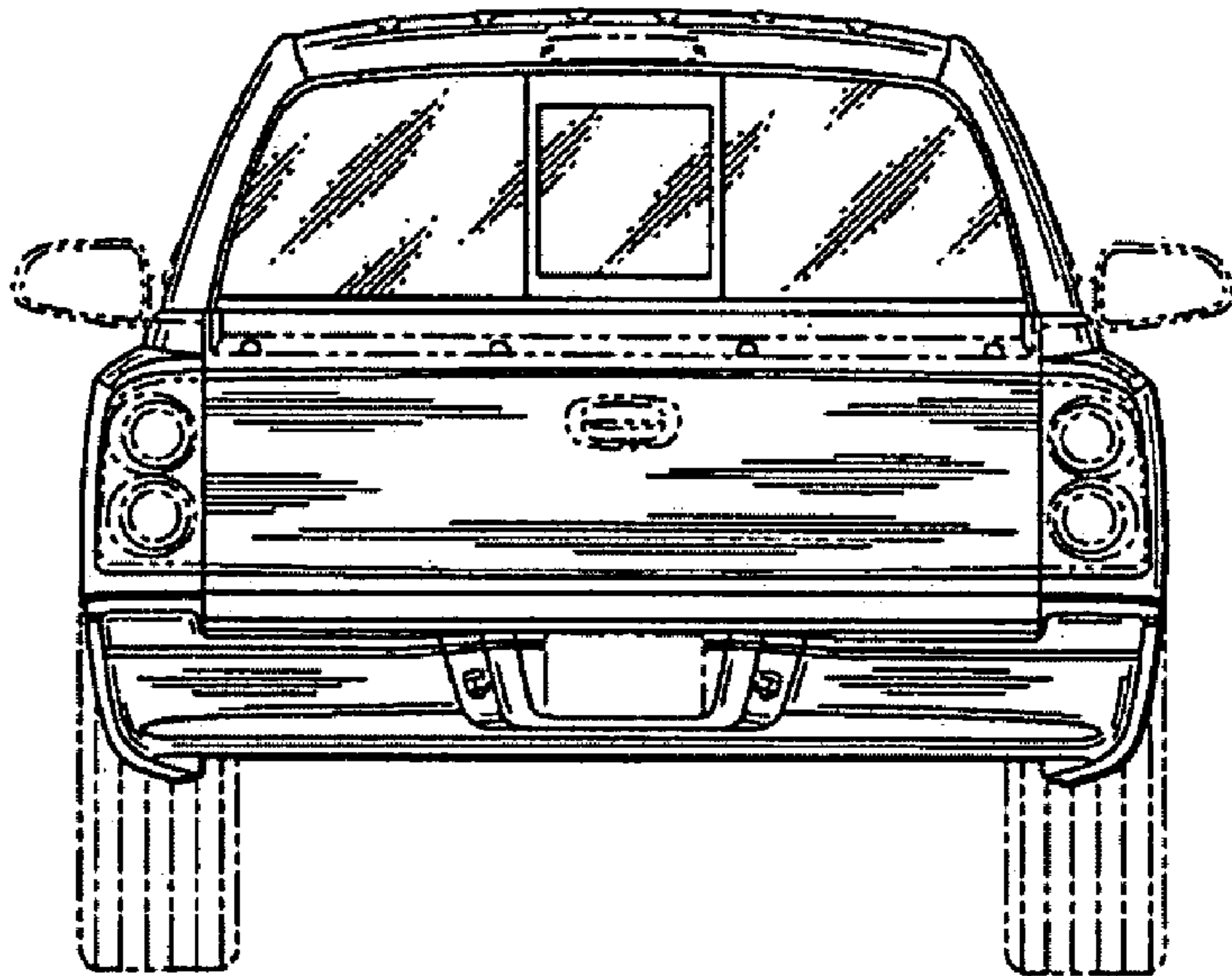


Fig. 4

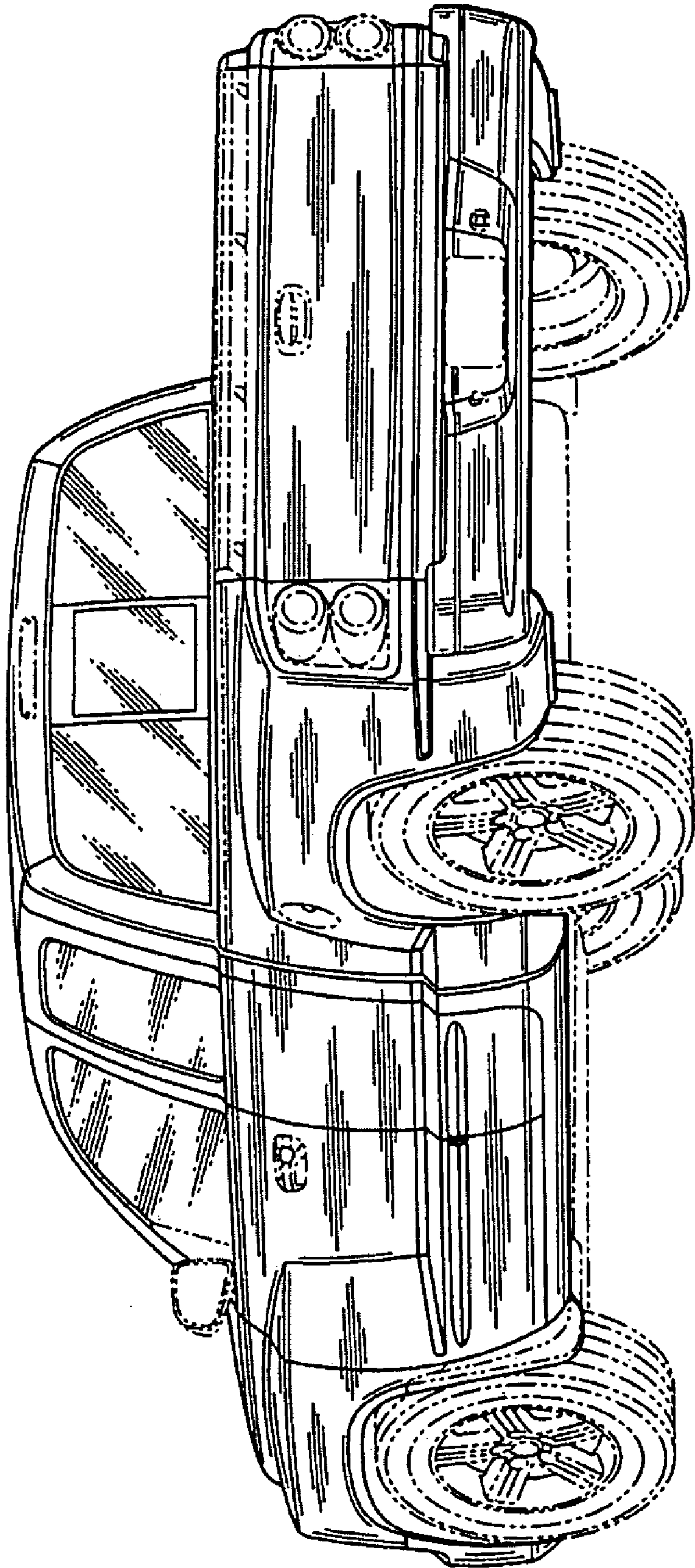


Fig. 5

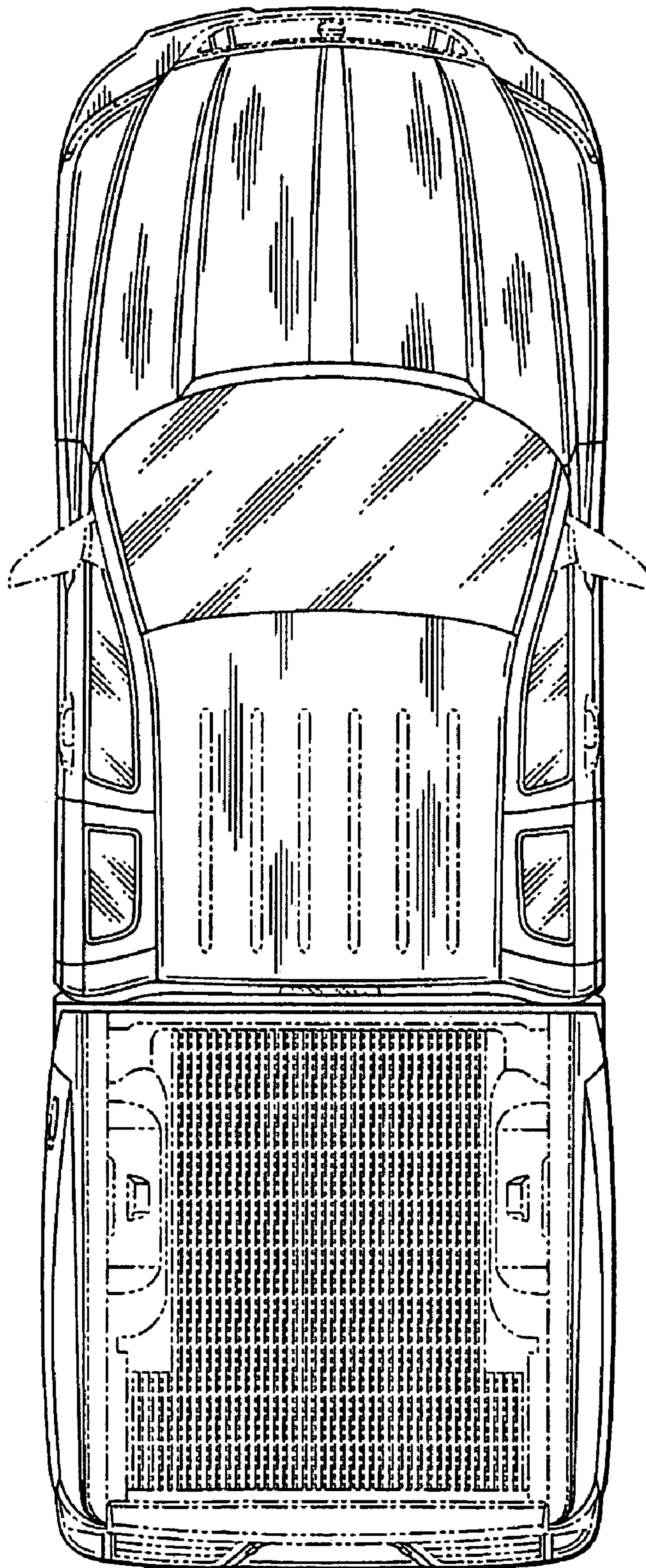


Fig. 6