



US00D596531S

(12) **United States Design Patent**
Yang

(10) **Patent No.:** **US D596,531 S**
(45) **Date of Patent:** **** Jul. 21, 2009**

(54) **MINI LOGISTIC TRUCK**

D576,920 S * 9/2008 Yang D12/107
D578,935 S * 10/2008 Yang D12/107
7,445,075 B2 * 11/2008 Ozawa et al. 180/291

(76) Inventor: **Tai-Her Yang**, 6F-5, No. 250, Sec. 4,
Chung Hsiao E. Rd., Taipei (TW) 10692

* cited by examiner

(**) Term: **14 Years**

Primary Examiner—T. Chase Nelson
Assistant Examiner—Ania K Dworzecka

(21) Appl. No.: **29/309,465**

(74) *Attorney, Agent, or Firm*—Bacon & Thomas, PLLC

(22) Filed: **Aug. 20, 2008**

(57) **CLAIM**

(51) **LOC (9) Cl.** **12-13**

The ornamental design for a mini logistic truck, as shown and described.

(52) **U.S. Cl.** **D12/14**

(58) **Field of Classification Search** D12/87,
D12/86, 1, 433, 15, 16, 107, 82, 88, 89, 90,
D12/91, 92, 93, 13, 128, 131; D15/30; D21/803,
D21/555, 423; 180/233, 908; 280/DIG. 5,
280/183, 184, 185, 186, 28, 37.7
See application file for complete search history.

DESCRIPTION

(56) **References Cited**

U.S. PATENT DOCUMENTS

D187,857 S * 5/1960 Collier D12/16
D193,181 S * 7/1962 Jordan D12/16
D195,551 S * 7/1963 McRae D12/16
D219,912 S * 2/1971 Brennan D12/85
D526,938 S * 8/2006 Nagel D12/128
D530,650 S * 10/2006 Azuma et al. D12/131
D571,264 S * 6/2008 Yang D12/131
D571,861 S * 6/2008 On D21/423

FIG. 1 is a perspective view of a mini logistic truck showing my new design;

FIG. 2 is a front elevation view thereof;

FIG. 3 is a rear elevation view thereof;

FIG. 4 is a left side elevation view thereof;

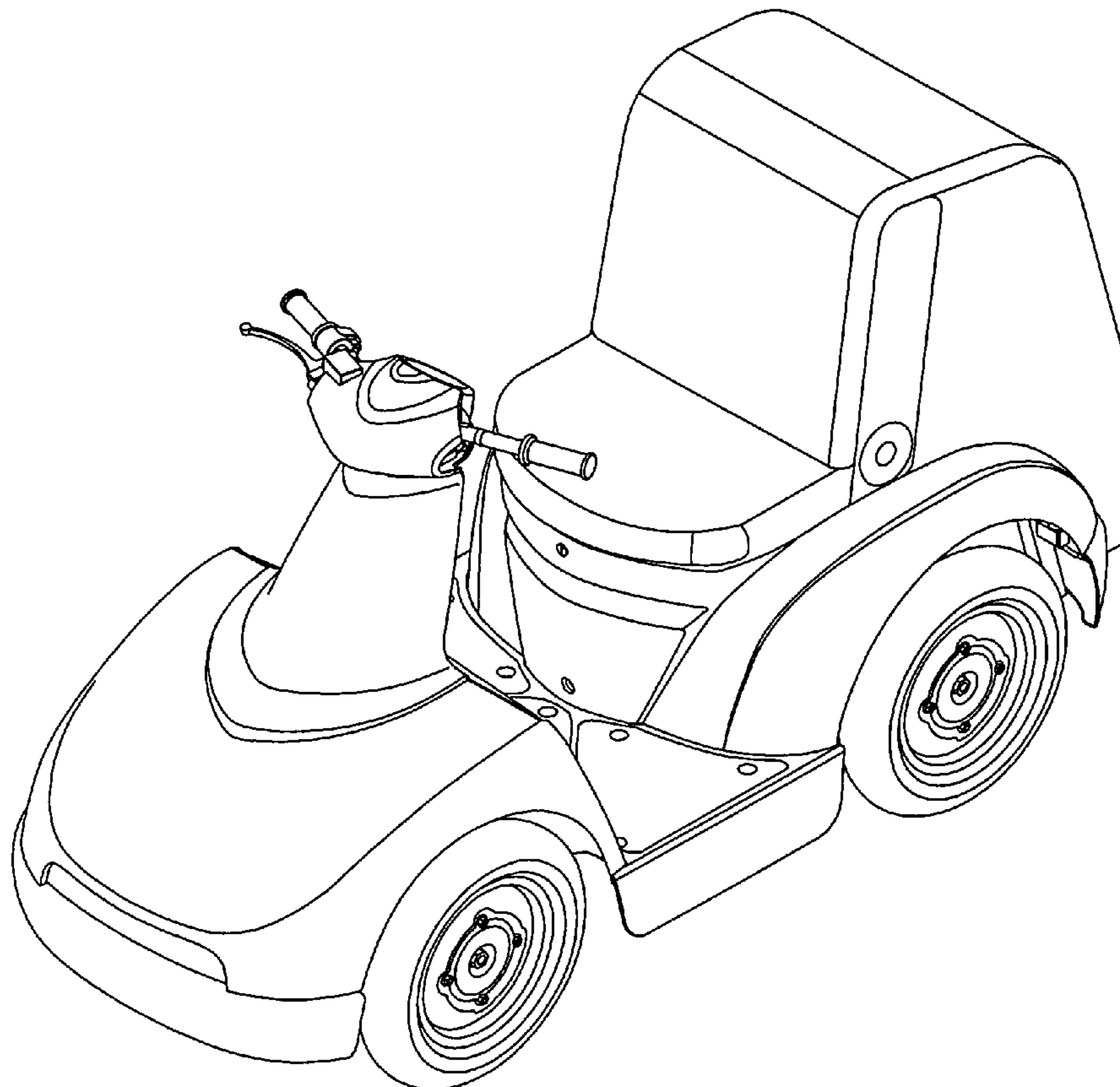
FIG. 5 is a right side elevation view thereof;

FIG. 6 is a top plan view thereof; and,

FIG. 7 is a bottom plan view thereof.

In the drawings, the broken lines depict unclaimed subject matter only and form no part of the claimed design.

1 Claim, 7 Drawing Sheets



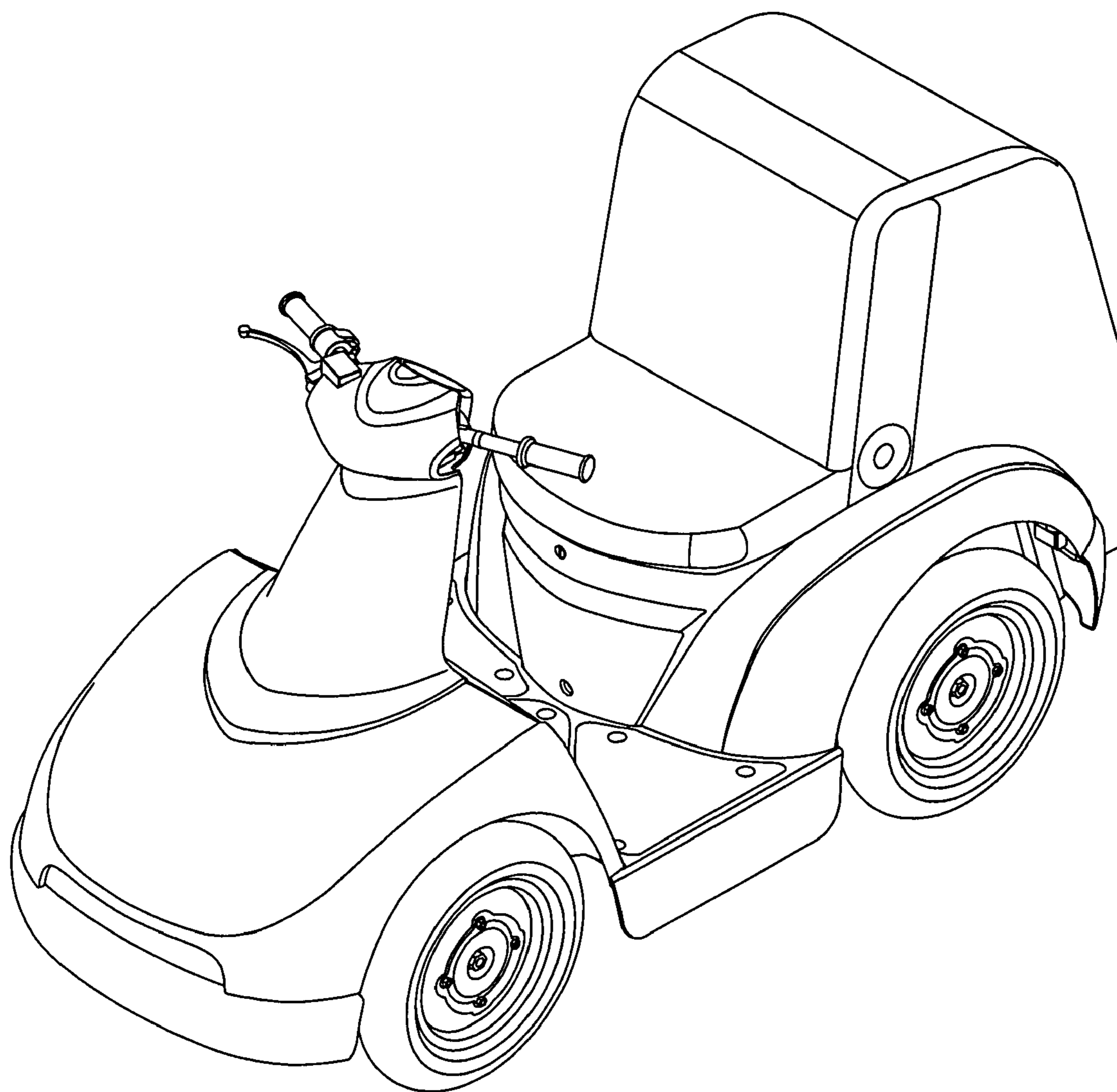


FIG. 1

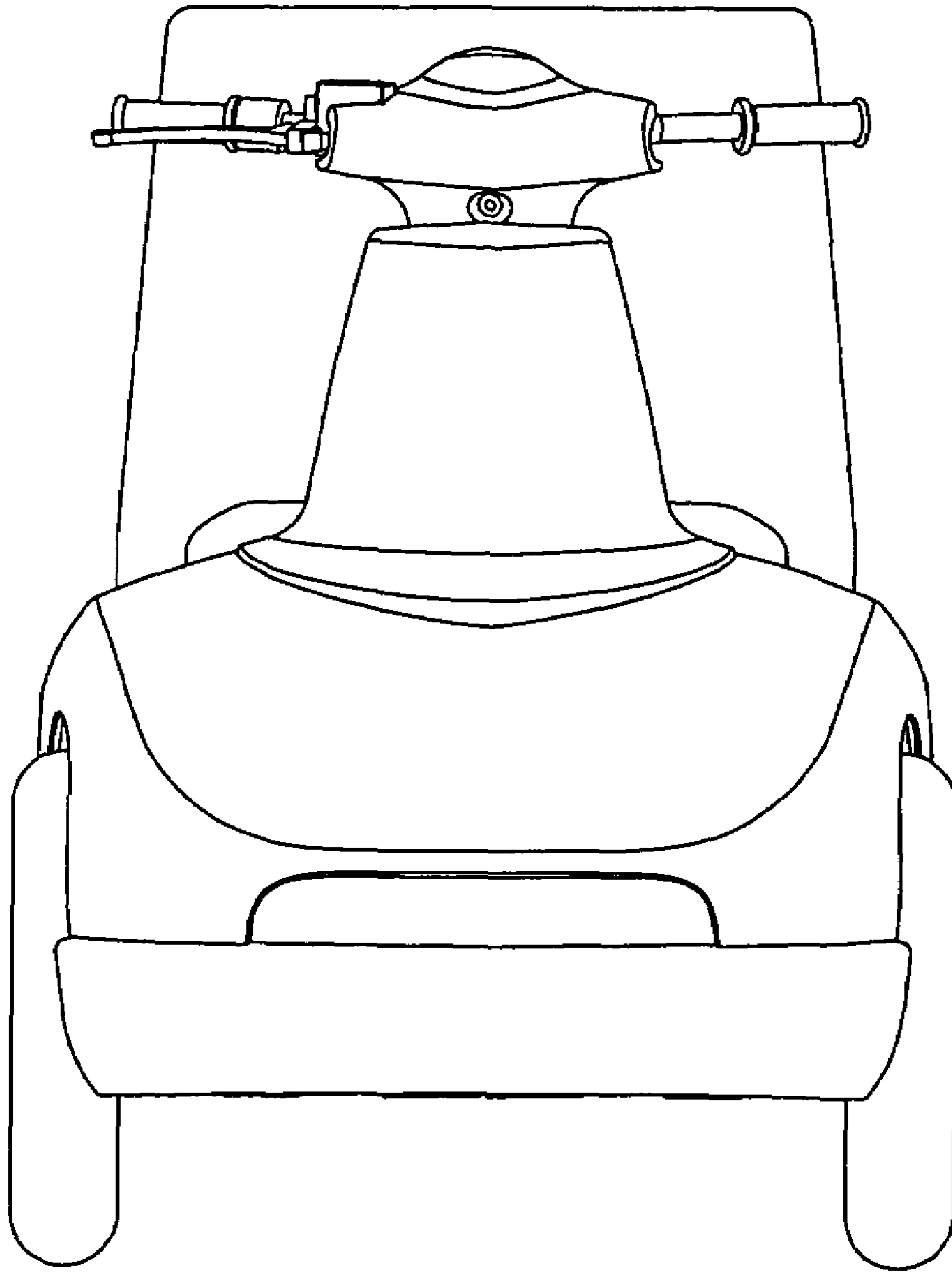


FIG. 2

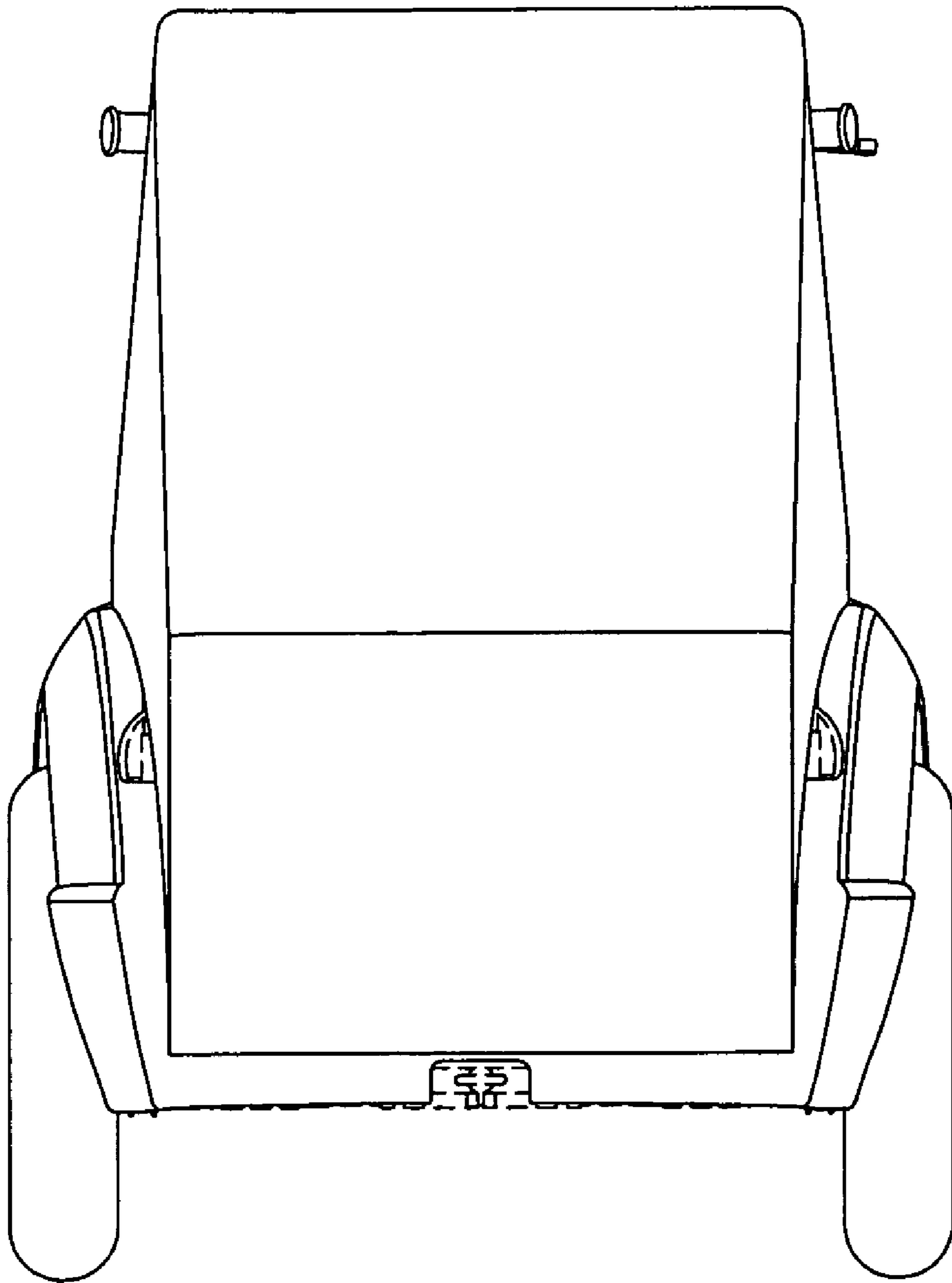


FIG. 3

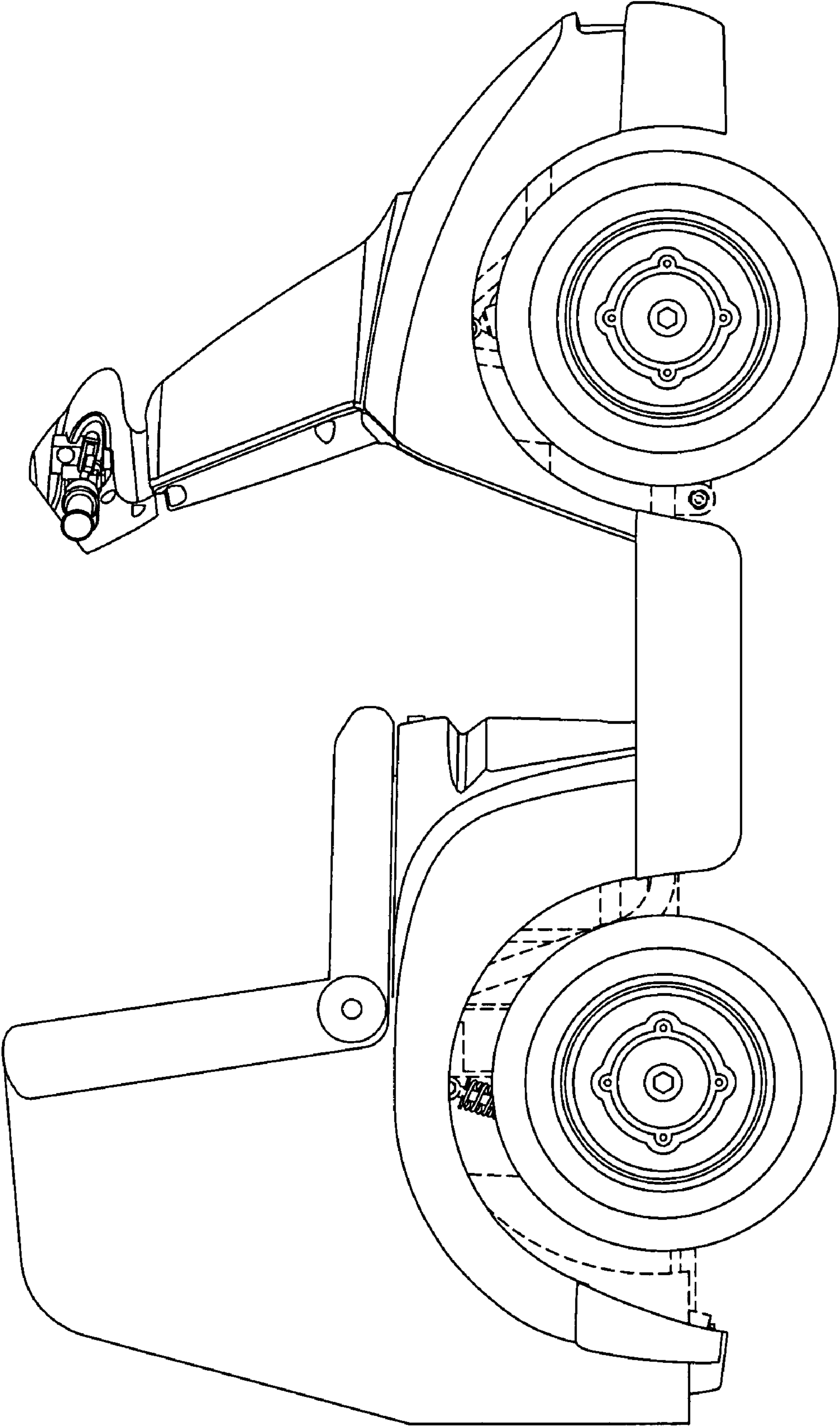


FIG. 4

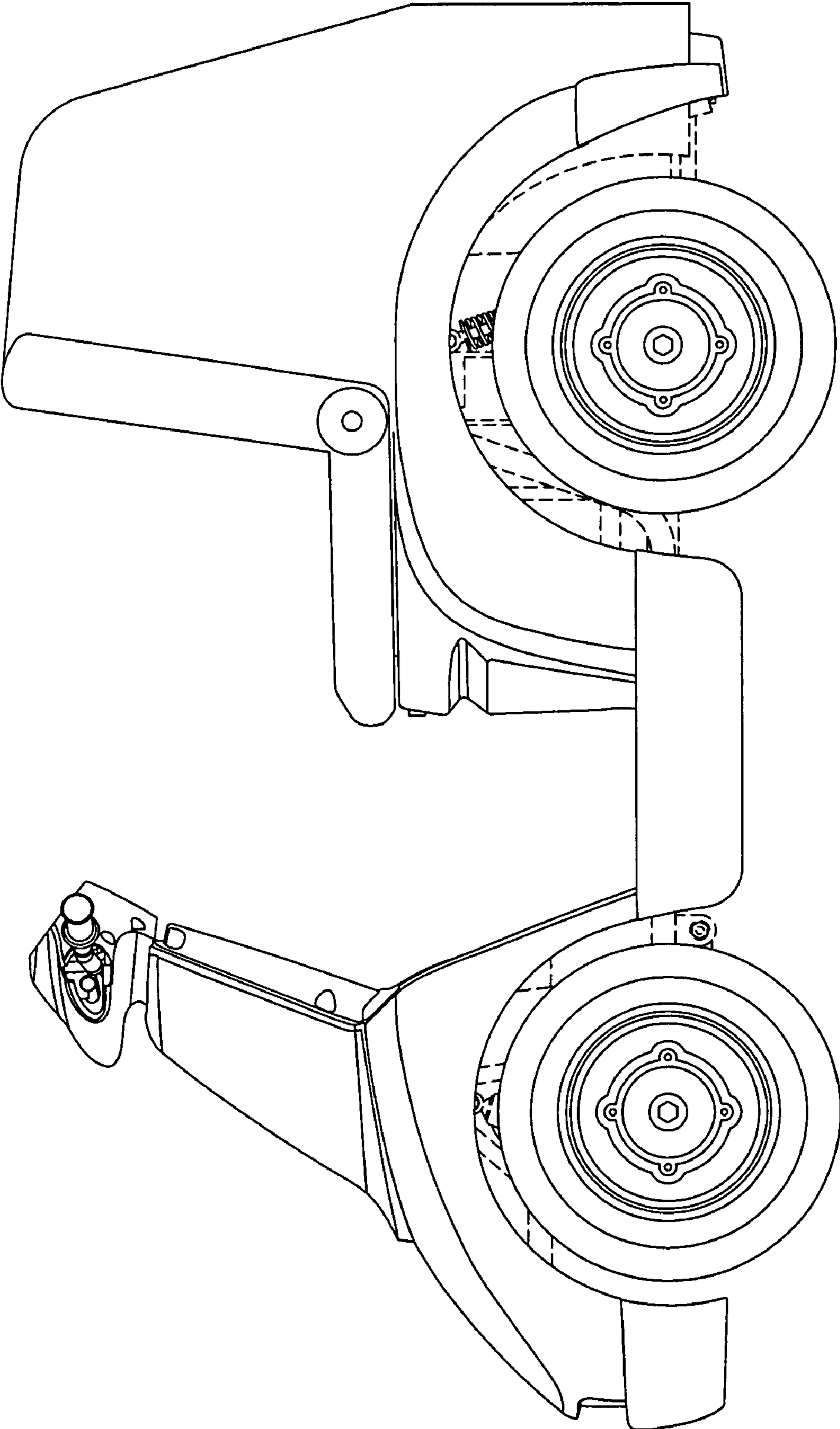


FIG. 5

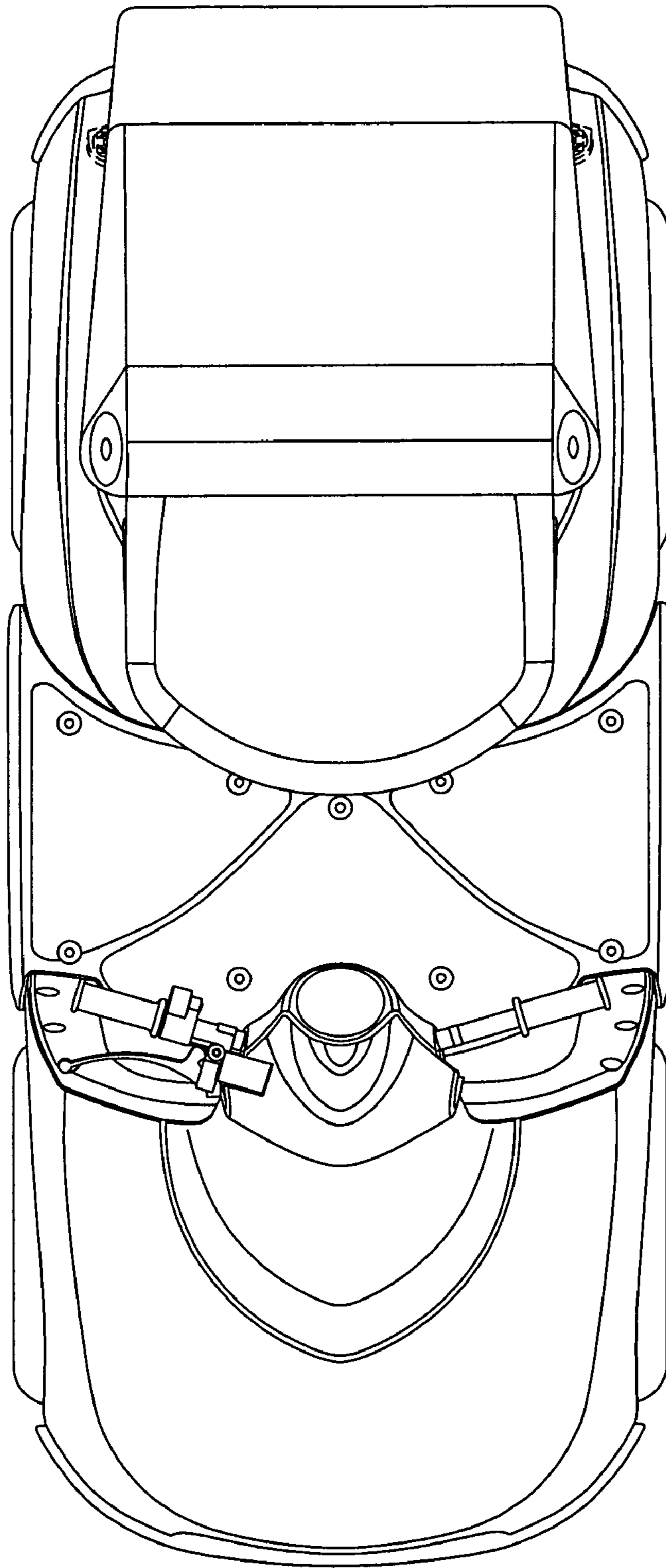


FIG. 6

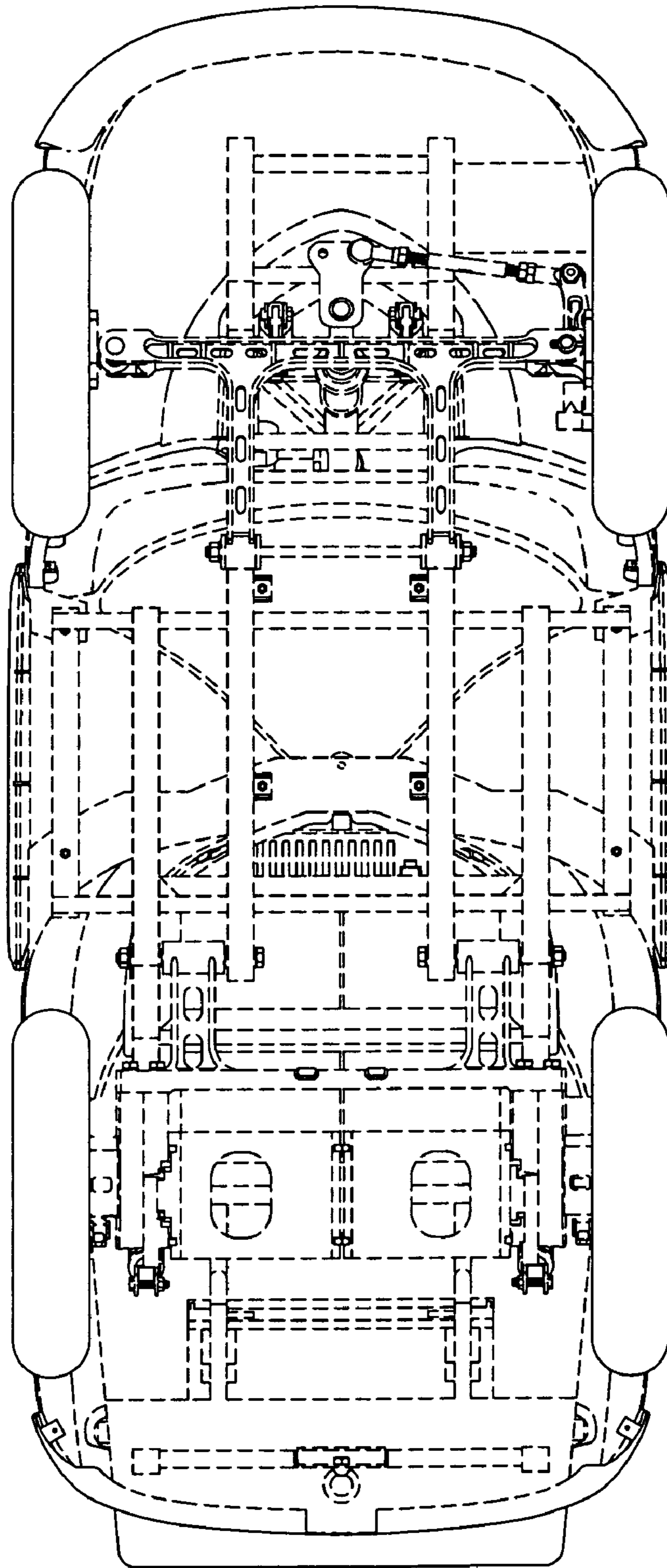


FIG. 7