



US00D596525S

(12) **United States Design Patent**
Peled et al.

(10) **Patent No.:** **US D596,525 S**
(45) **Date of Patent:** **** Jul. 21, 2009**

- (54) **PRECIOUS STONE**
- (75) Inventors: **Shraga Peled**, Ramat Gan (IL); **Efraim Aloof**, Netanya (IL)
- (73) Assignee: **Peled Diamonds, Ltd.**, Ramat Gan (IL)
- (**) Term: **14 Years**
- (21) Appl. No.: **29/320,374**
- (22) Filed: **Jun. 25, 2008**

- D373,971 S * 9/1996 Katz D11/90
- D384,593 S * 10/1997 Katz D11/90
- D392,590 S * 3/1998 Bachar D11/90
- D402,913 S * 12/1998 Katz D11/90
- D462,634 S * 9/2002 Cohen D11/90
- D465,431 S * 11/2002 Kanner D11/90
- D484,824 S * 1/2004 Namdar D11/90
- D501,423 S * 2/2005 Tolkowsky D11/90

* cited by examiner

Primary Examiner—R. Seifert

(74) *Attorney, Agent, or Firm*—Fennemore Craig, P.C.

Related U.S. Application Data

- (62) Division of application No. 29/277,435, filed on Feb. 26, 2007, now Pat. No. Des. 574,288.

Foreign Application Priority Data

- (30) Aug. 31, 2006 (CH) 133201

- (51) **LOC (9) Cl.** **11-01**
- (52) **U.S. Cl.** **D11/90**
- (58) **Field of Classification Search** D11/1-2,
D11/26-29, 89-92; 63/26-28, 32
See application file for complete search history.

References Cited

U.S. PATENT DOCUMENTS

- D262,200 S * 12/1981 Kirwan D11/90
- D276,143 S * 10/1984 Williams D11/121
- D372,883 S * 8/1996 Adler D11/89

(57) **CLAIM**

The ornamental design for a precious stone, as shown and described.

DESCRIPTION

FIG. 1 is an illustrative top plan view of a precious stone showing our new design, a bottom plan view also shown looking through the transparent precious stone;

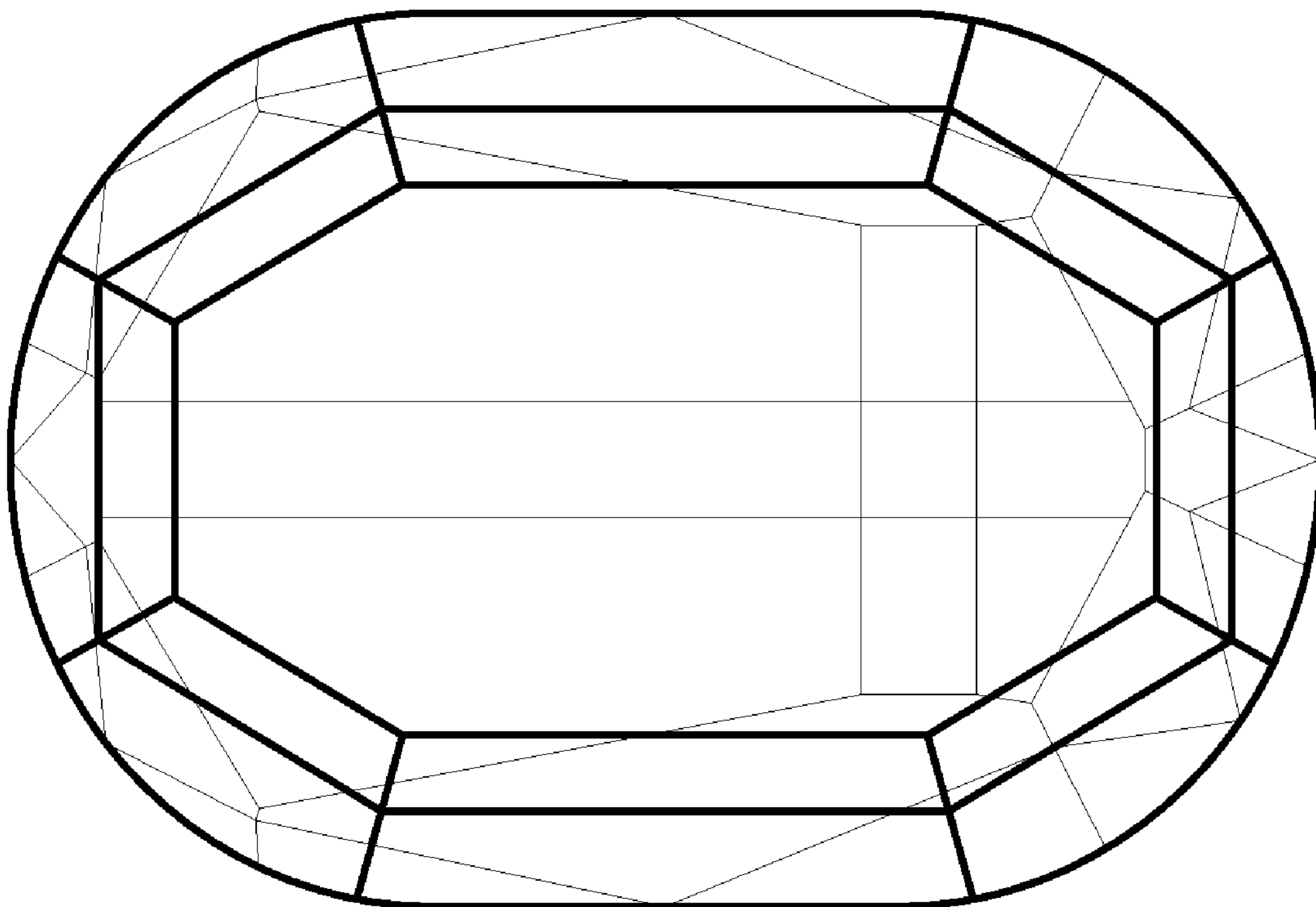
FIG. 2 is an illustrative bottom plan view, a top view also shown looking through the transparent precious stone;

FIGS. 3 and 4 are a front and rear elevational view thereof;

FIG. 5 is a side elevational view thereof; and,

FIG. 6 is a bottom perspective view thereof, also showing a top perspective view looking through the transparent precious stone.

1 Claim, 3 Drawing Sheets



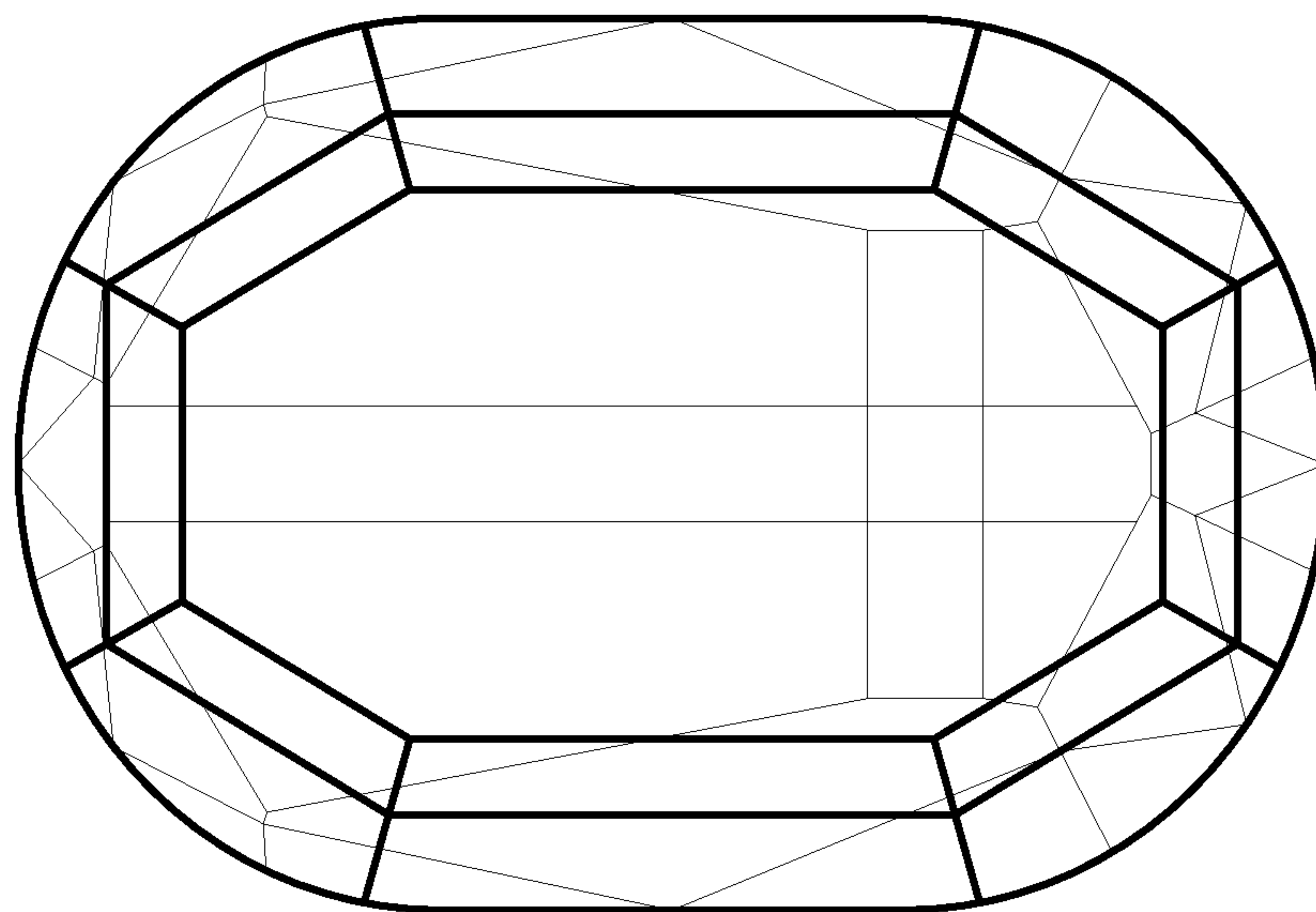


FIG. 1

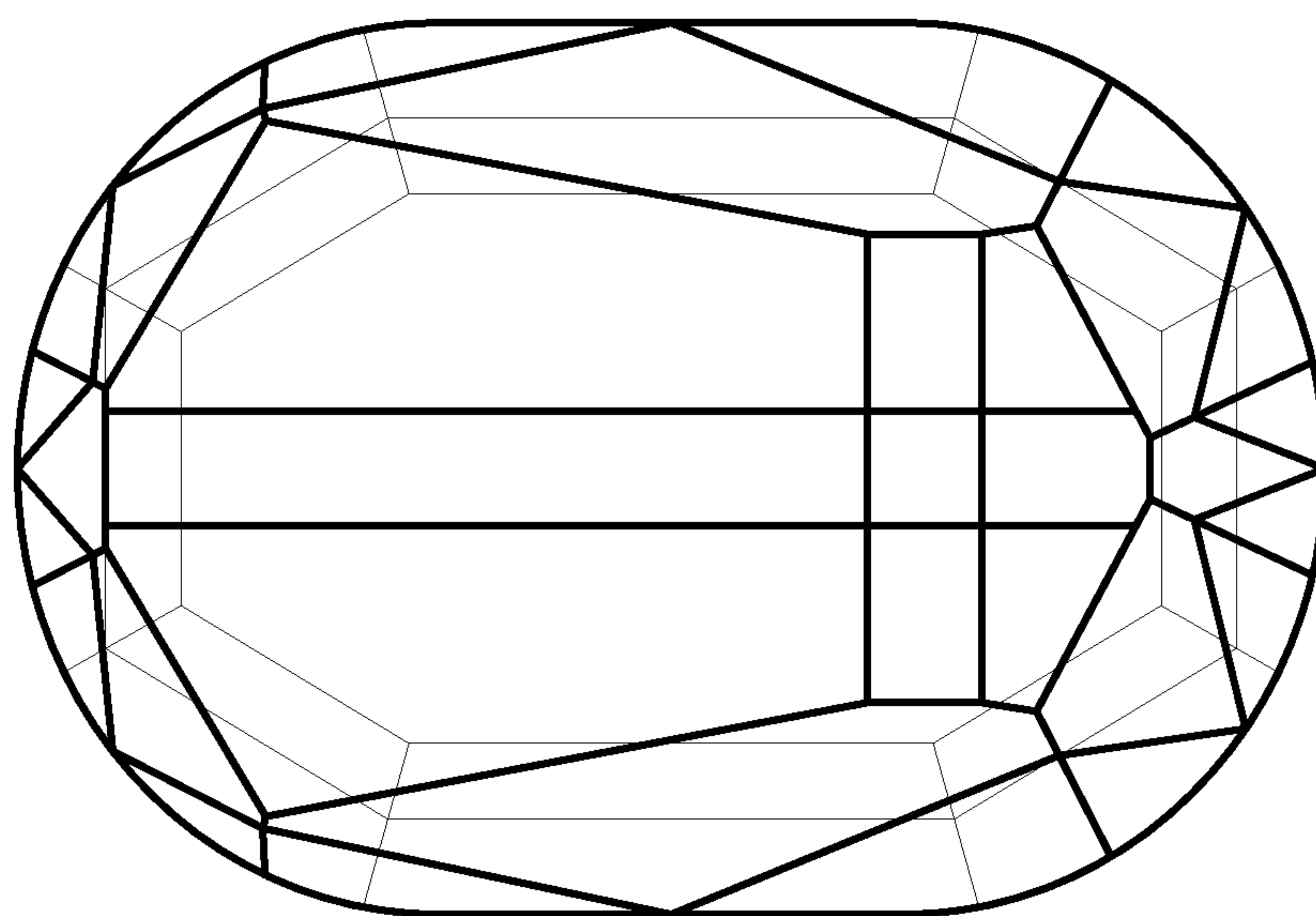


FIG. 2

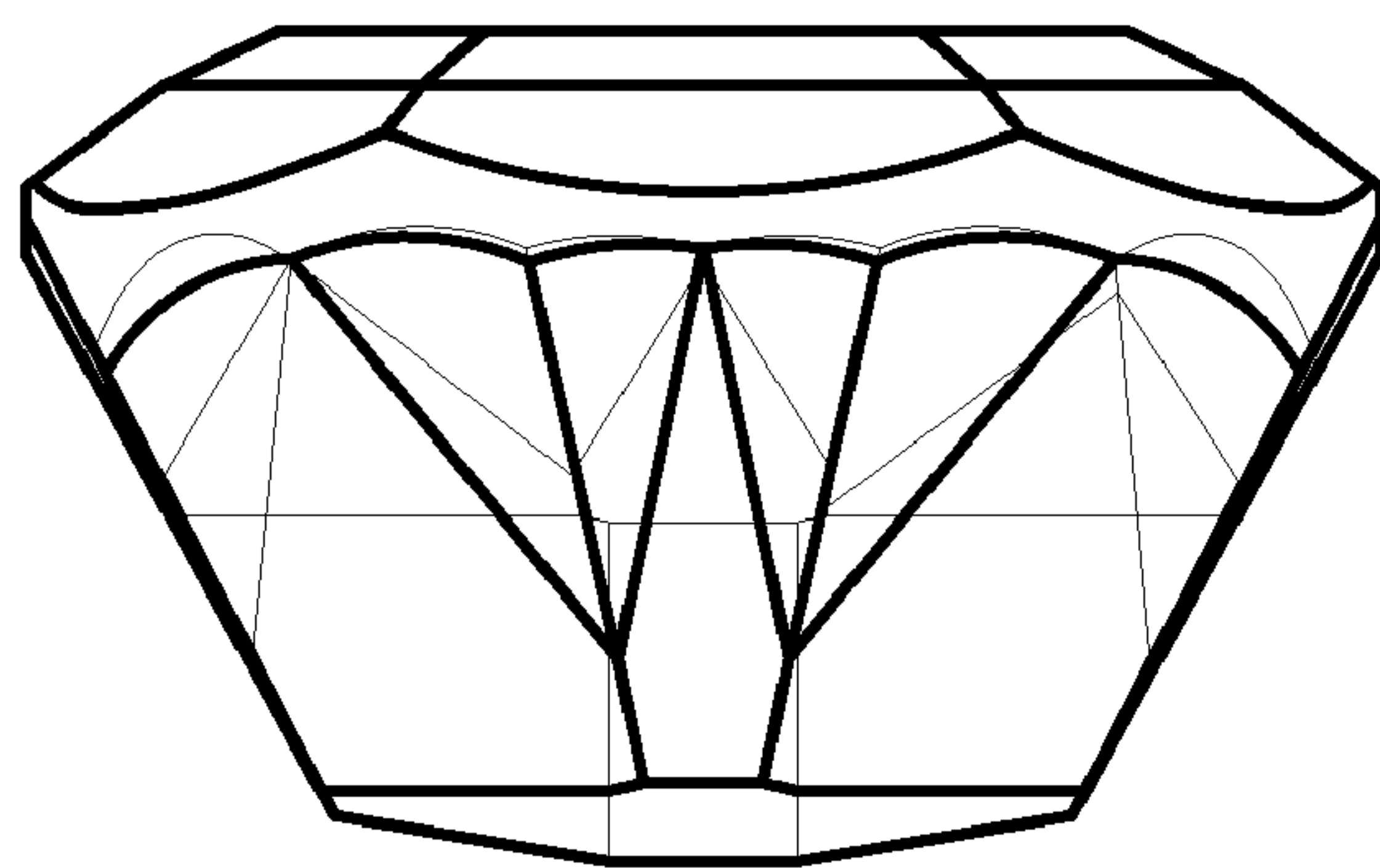


FIG. 3

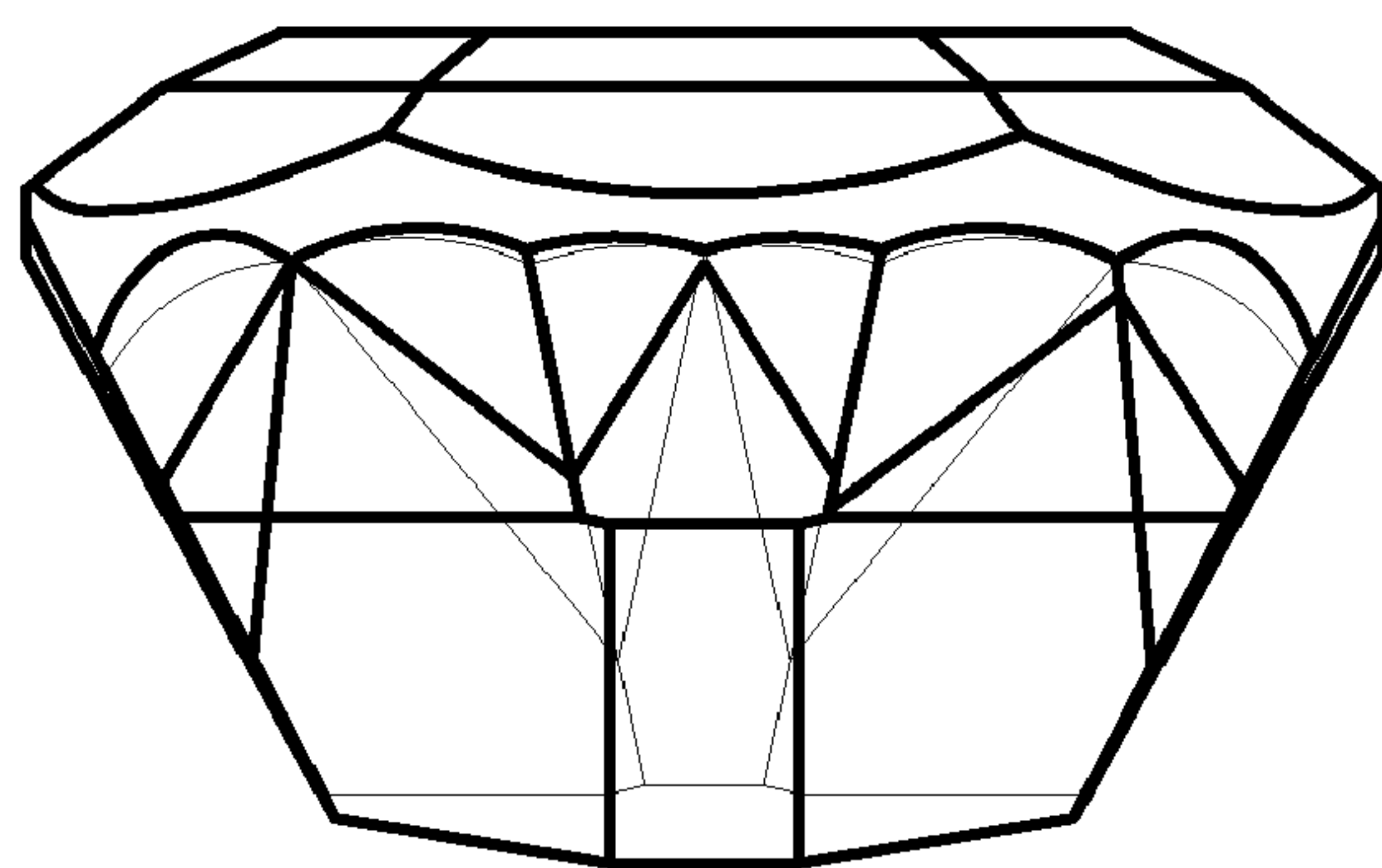


FIG. 4

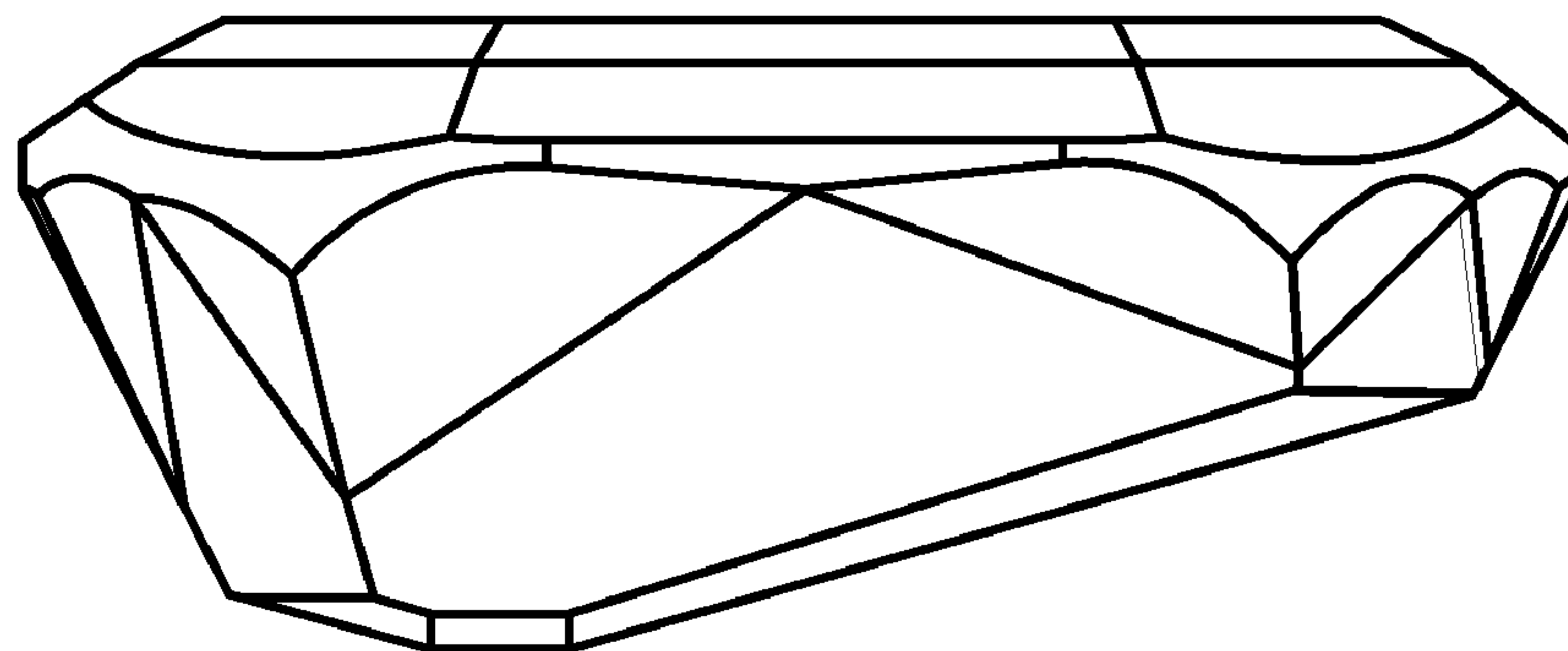


FIG. 5

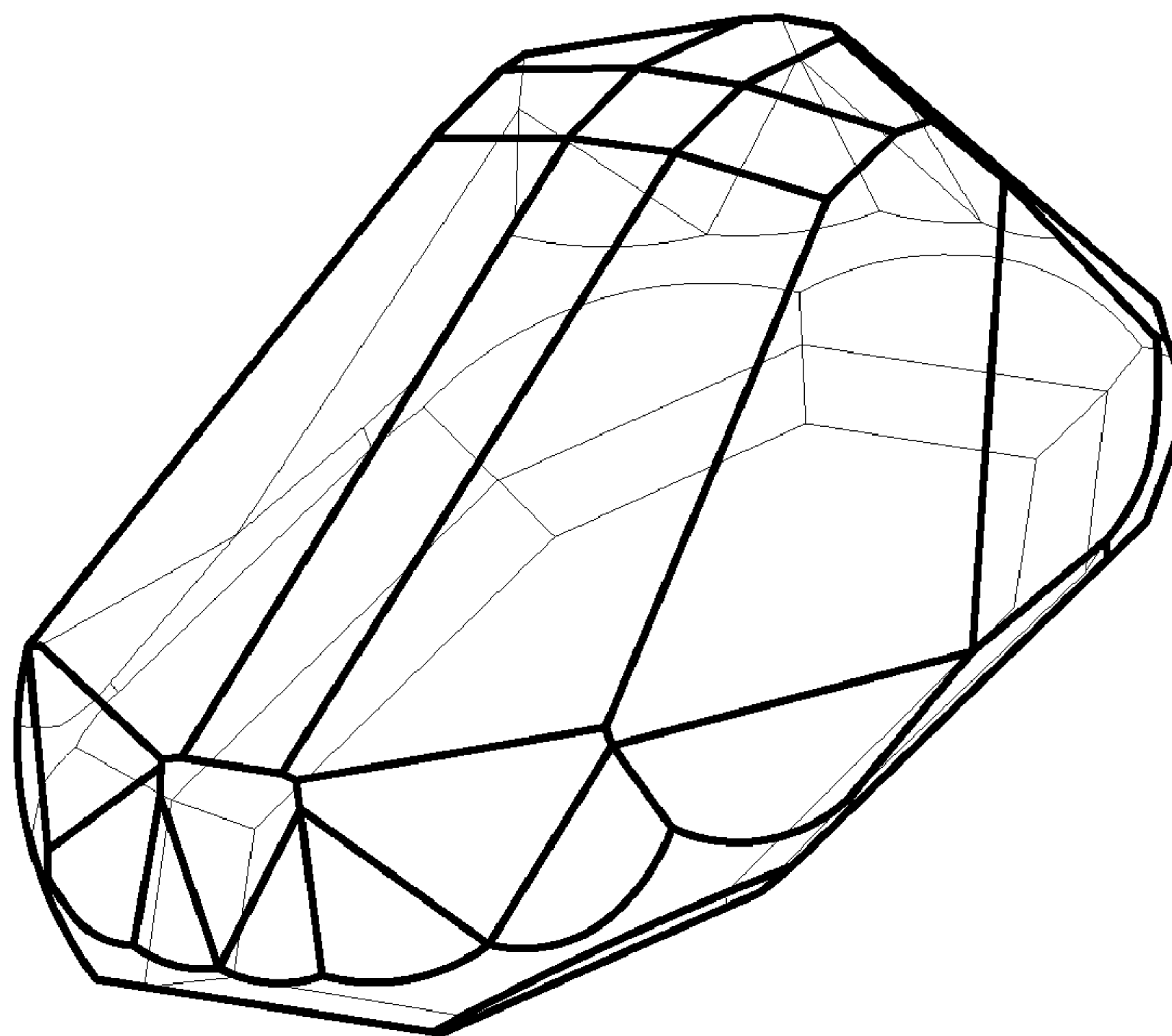


FIG. 6