



US00D596522S

(12) **United States Design Patent**  
**Fuchs**

(10) **Patent No.:** **US D596,522 S**

(45) **Date of Patent:** **\*\* Jul. 21, 2009**

(54) **RING**

(76) **Inventor:** **Svetlana Fuchs**, 9025 Grove Crest La.,  
Las Vegas, NV (US) 89134

(\*\*) **Term:** **14 Years**

(21) **Appl. No.:** **29/308,007**

(22) **Filed:** **May 22, 2008**

(51) **LOC (9) Cl.** ..... **11-01**

(52) **U.S. Cl.** ..... **D11/26; D11/34**

(58) **Field of Classification Search** ..... **D11/26-39;**  
**63/15, 15.1-15.4, 15.45, 15.5, 115.6, 5.65,**  
**63/15.7, 26-28**

See application file for complete search history.

(56) **References Cited**

**U.S. PATENT DOCUMENTS**

D54,547 S *	3/1920	Gilsey .....	D11/34
D69,287 S *	1/1926	Robbins .....	D11/34
D267,706 S *	1/1983	Shapiro .....	D11/34
D565,990 S *	4/2008	Allin .....	D11/26
D580,293 S *	11/2008	So .....	D11/26
D585,321 S *	1/2009	Wheatley et al. ....	D11/26

\* cited by examiner

*Primary Examiner*—Cathron C Brooks

*Assistant Examiner*—Melanie Levy

(74) *Attorney, Agent, or Firm*—Law Office of Sergei Orel,  
LLC

(57) **CLAIM**

The ornamental design for a ring, as shown and described.

**DESCRIPTION**

FIG. 1 is a front view of the ring showing my new design;

FIG. 2 is an back view thereof;

FIG. 3 is a top view thereof;

FIG. 4 is a right side view thereof;

FIG. 5 is a left side view thereof;

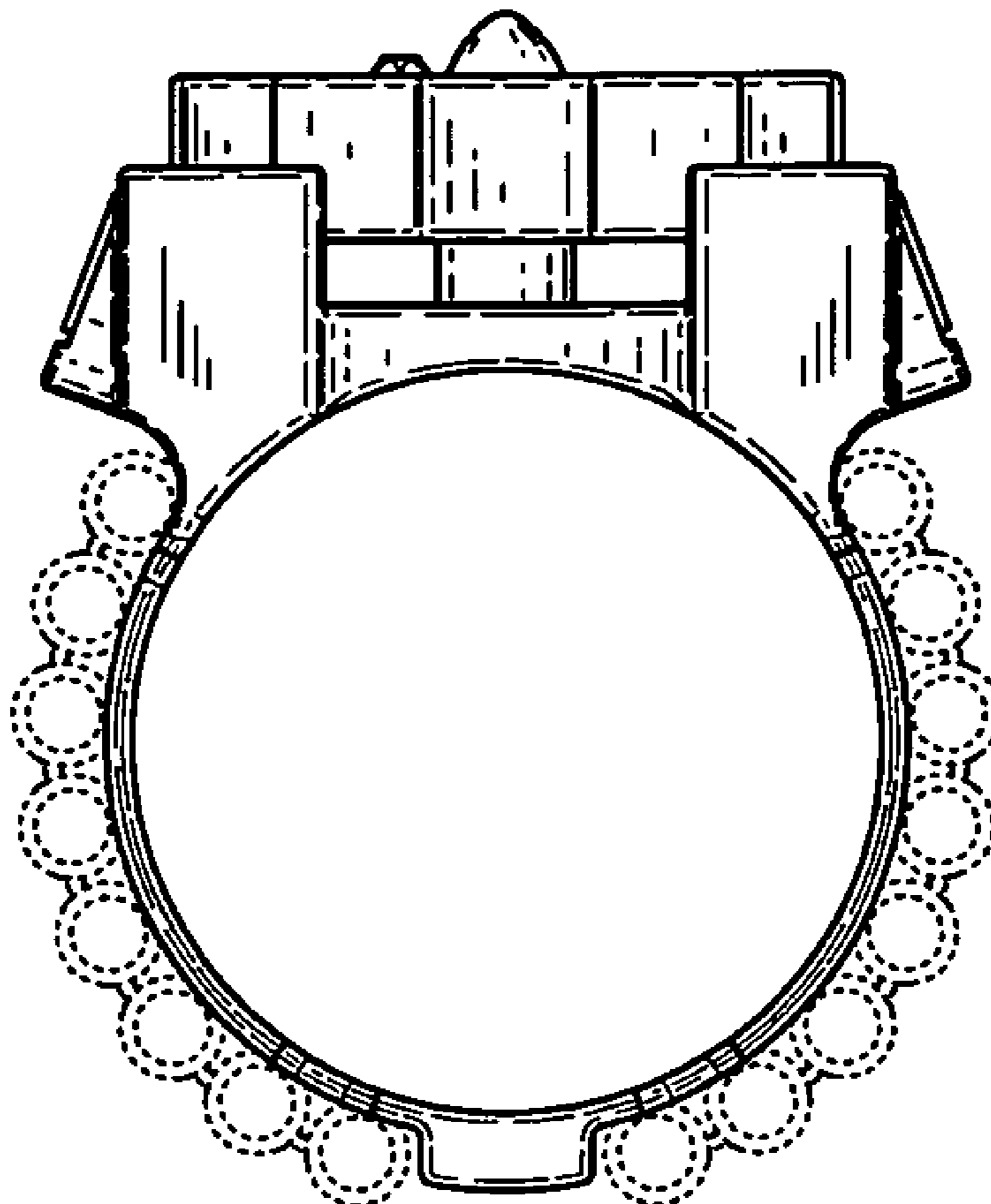
FIG. 6 is a bottom view thereof;

FIG. 7 is a perspective view thereof; and,

FIG. 8 is an additional perspective view thereof.

The broken lines shown in the drawings represent unclaimed portions of the design and form no part thereof.

**1 Claim, 3 Drawing Sheets**



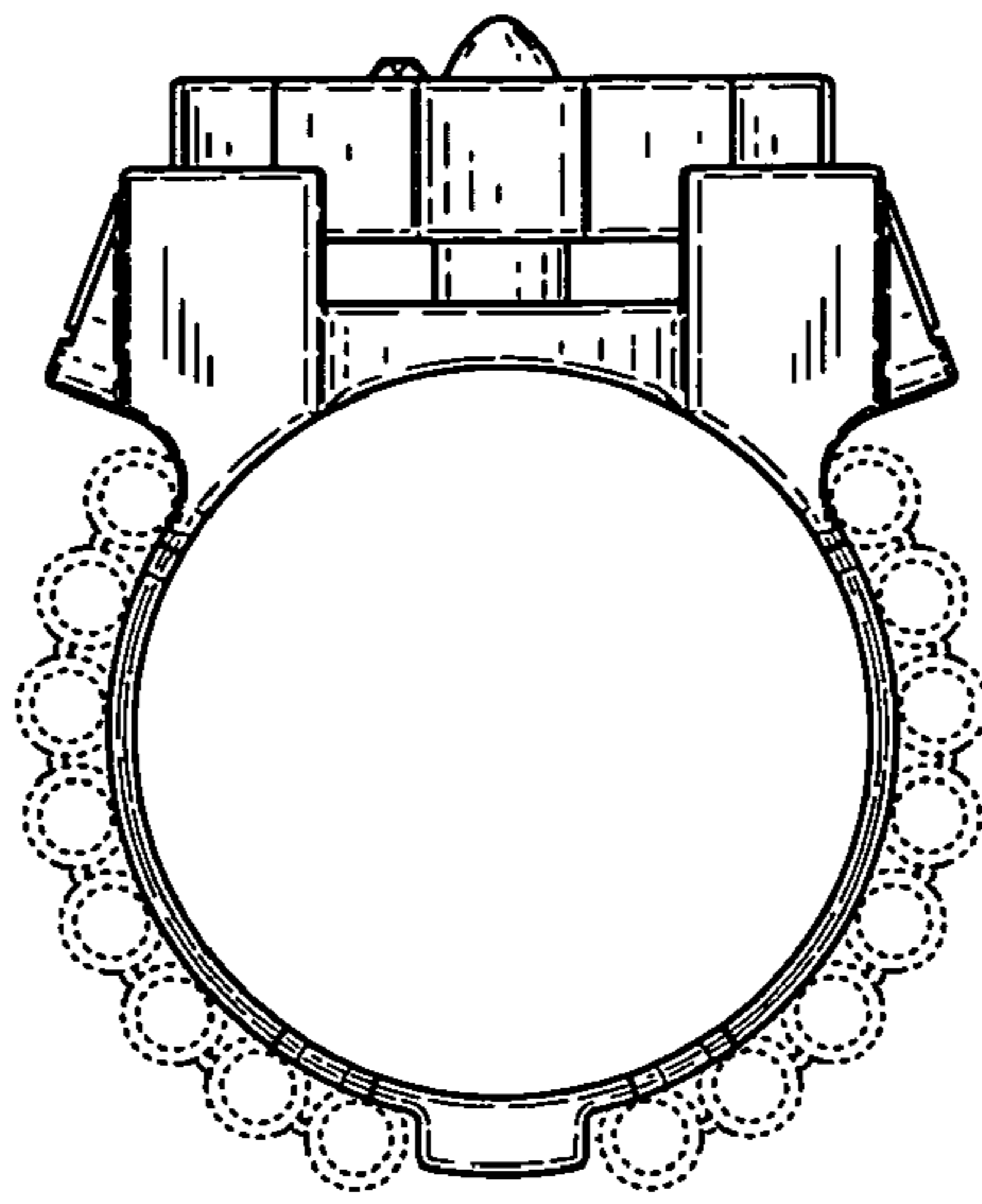


Fig.1

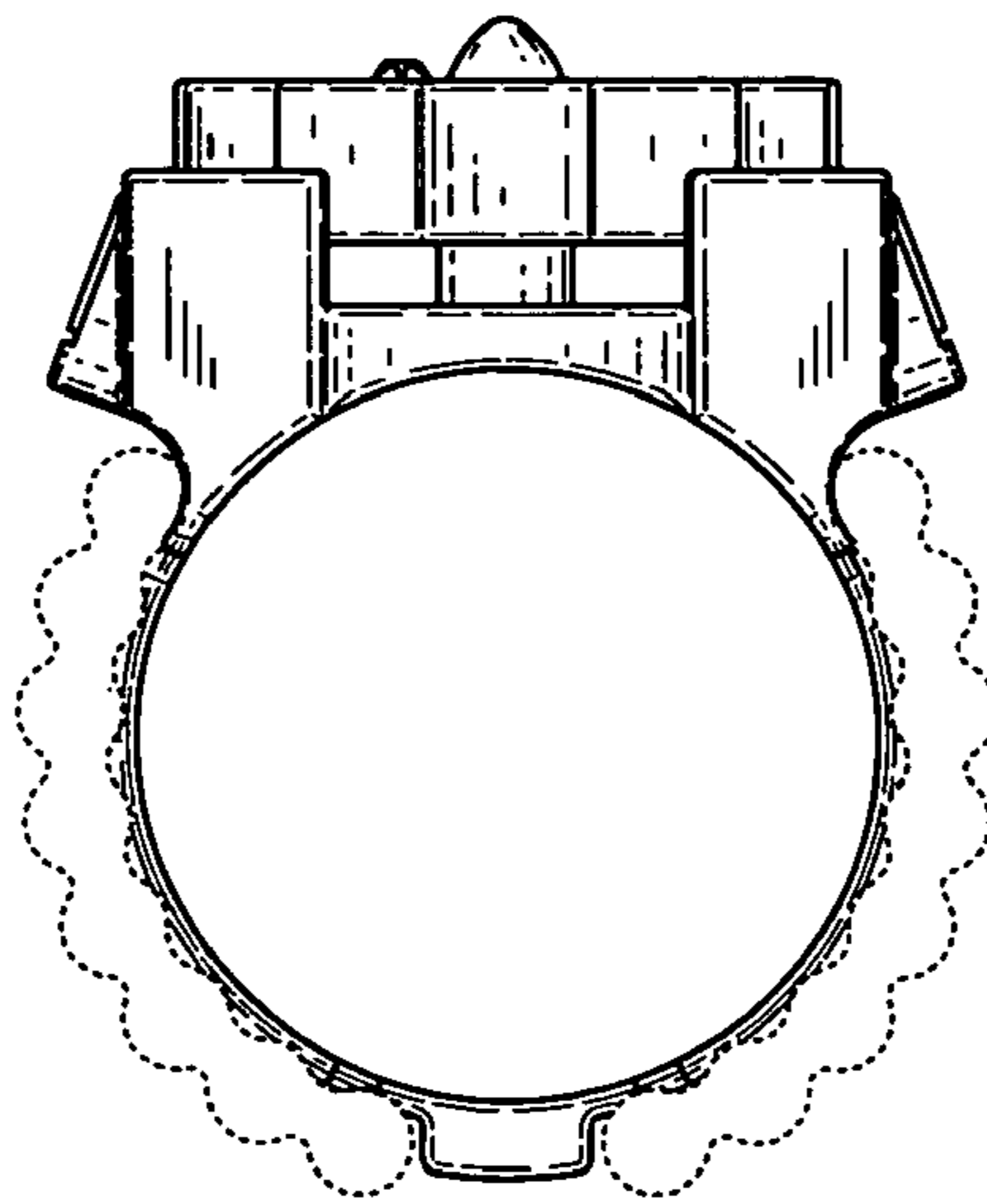


Fig.2

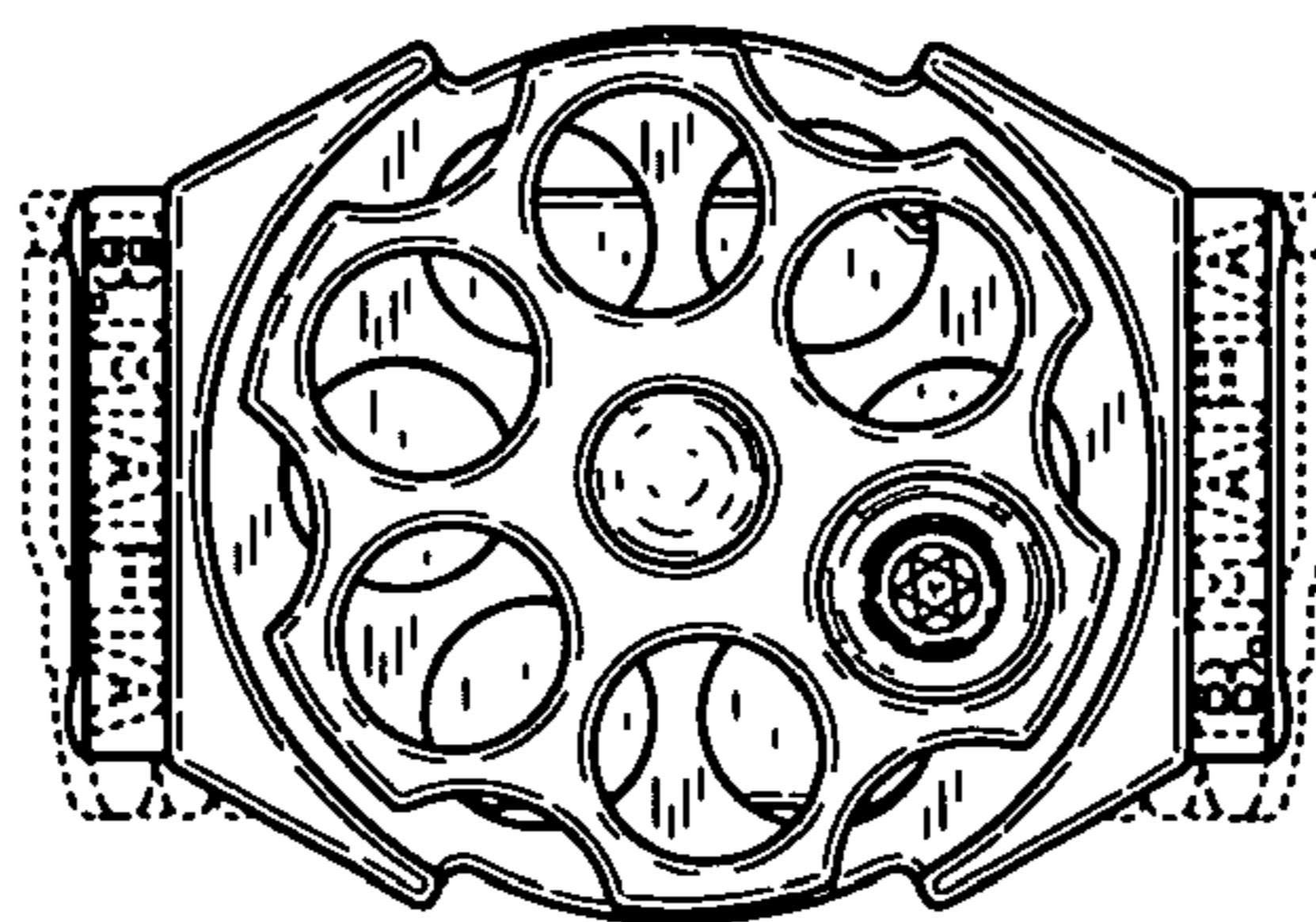


Fig.3

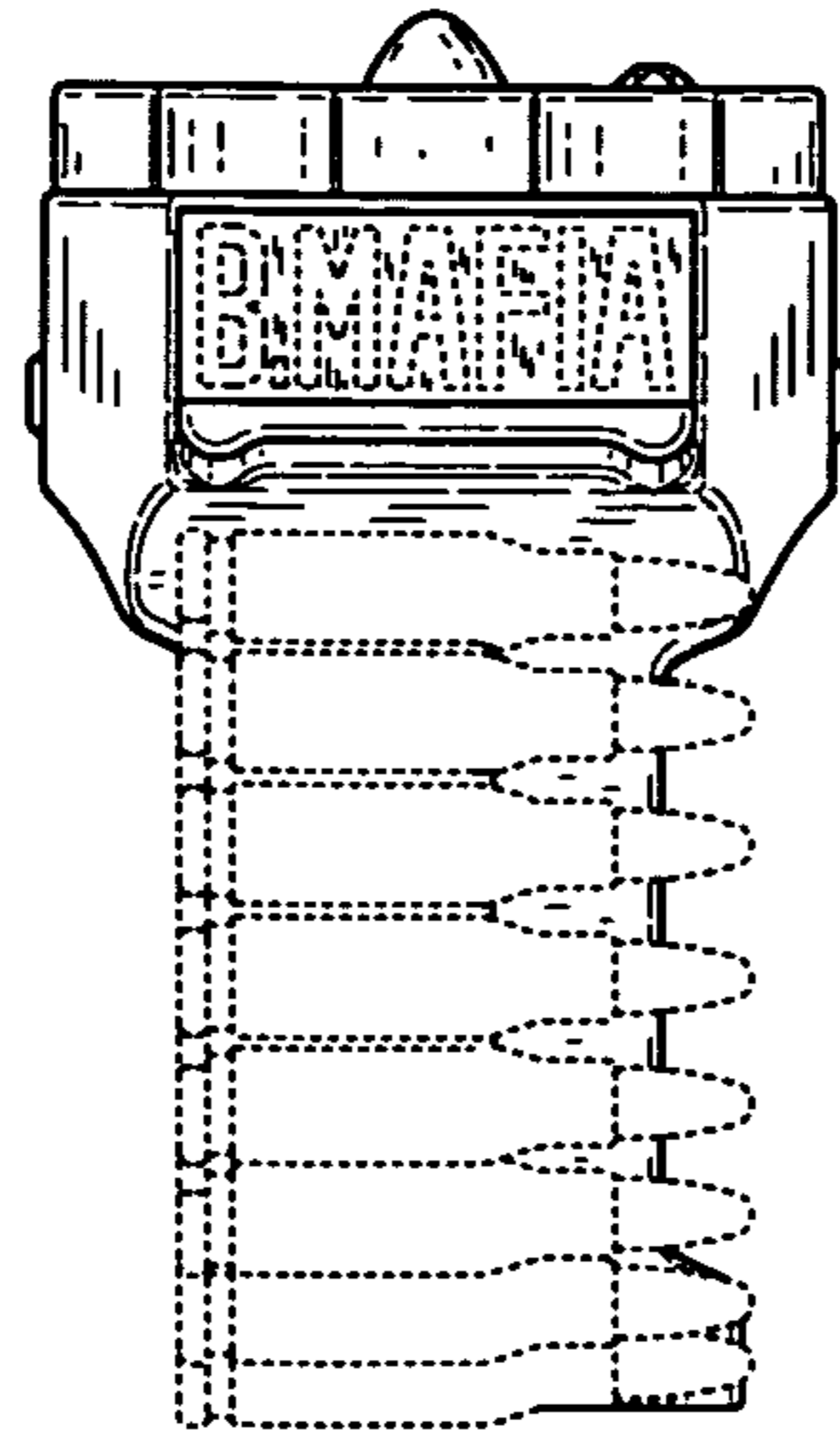


Fig.4

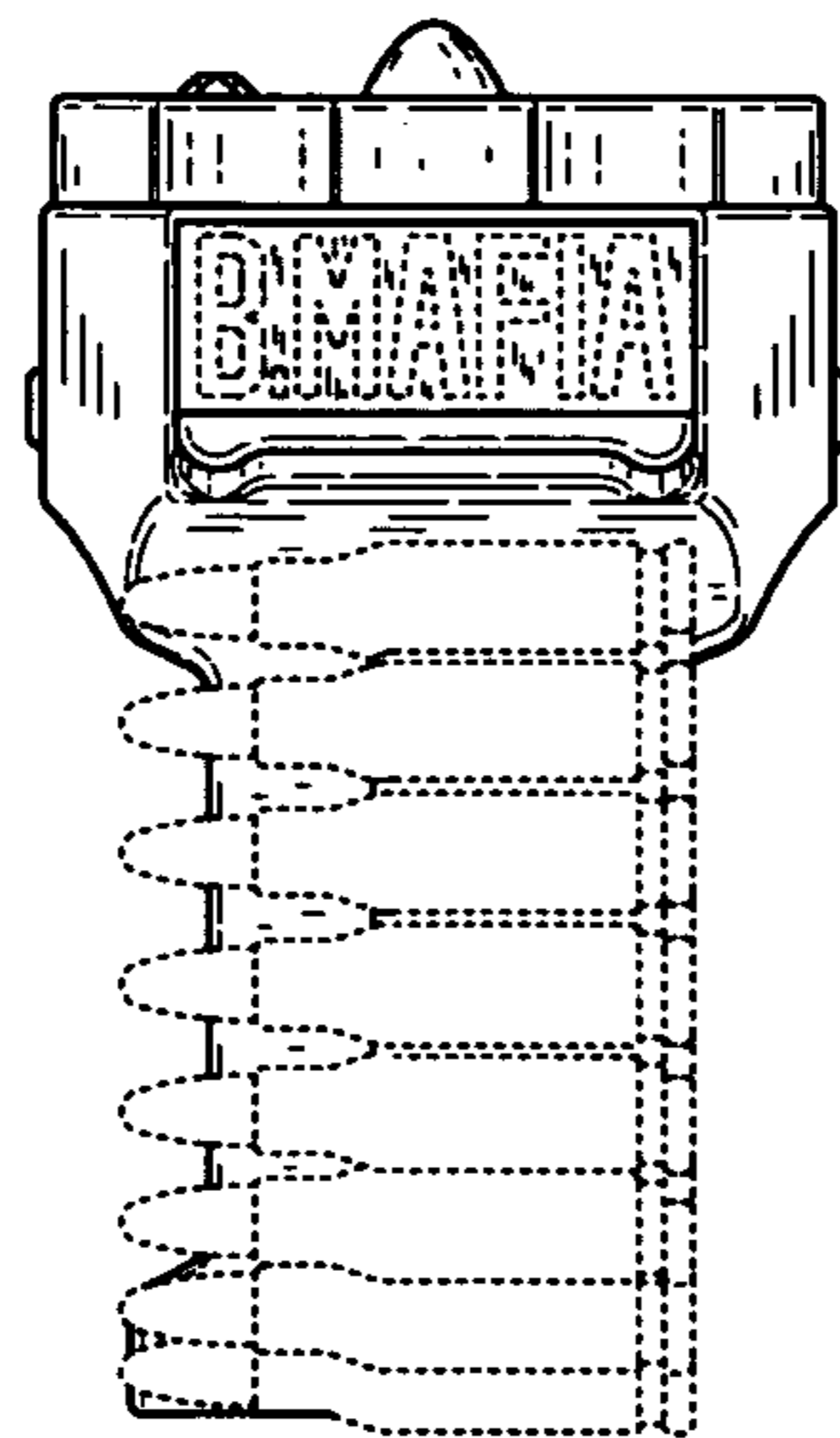


Fig.5

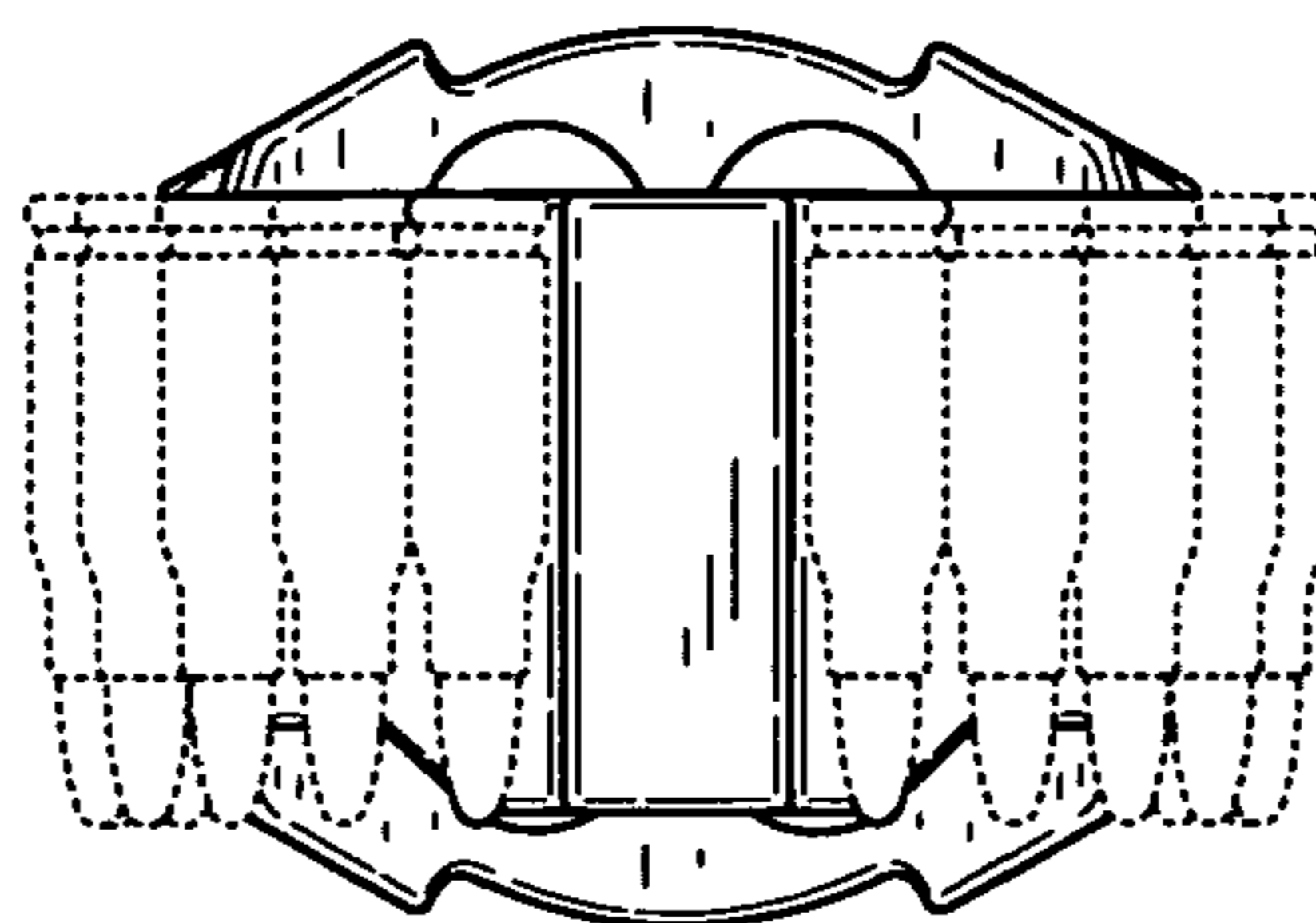


Fig.6

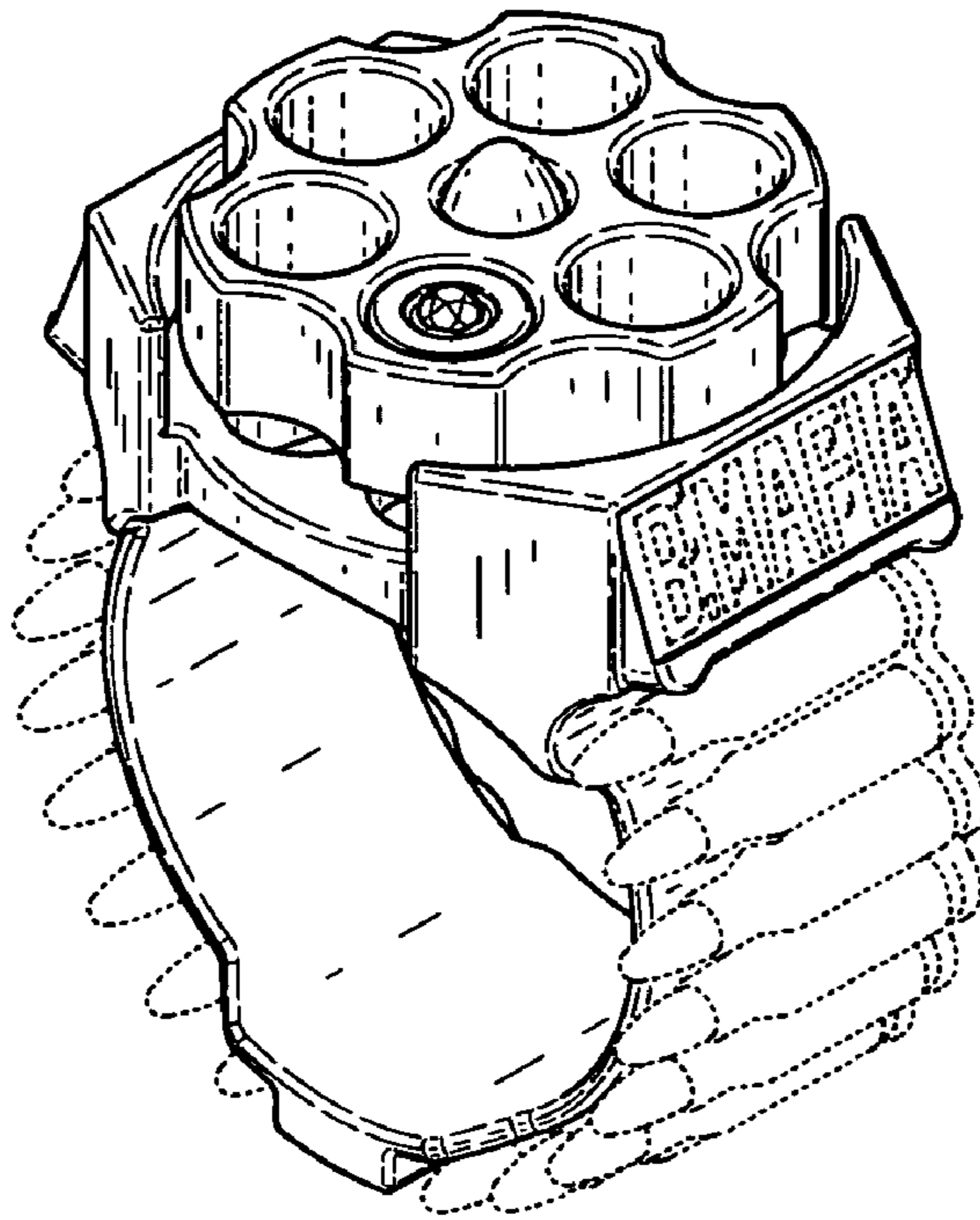


Fig.7

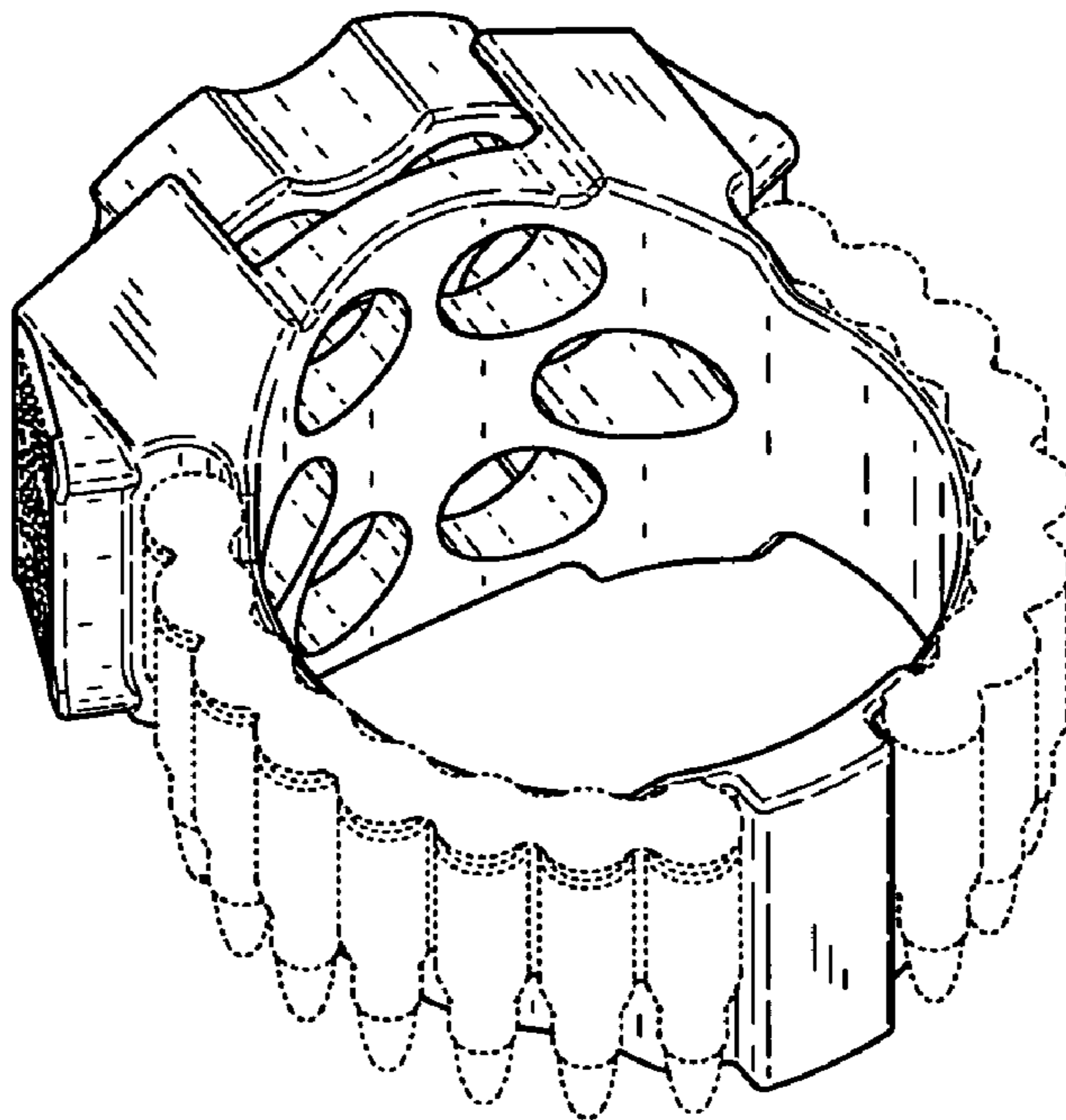


Fig.8