



US00D596520S

(12) **United States Design Patent**
Sayegh et al.

(10) **Patent No.:** **US D596,520 S**
(45) **Date of Patent:** **** Jul. 21, 2009**

(54) **ELECTRONIC ARTICLE SURVEILLANCE TAG**

(76) Inventors: **Adel O. Sayegh**, 5143 Paddock Pl., Rancho Cucamonga, CA (US) 97137; **Shaoshan Li**, 1418 Moganshan Road, Hangzhou (CN) 310015; **Wei Shang**, 12-1-702 Huayuanguongyu, Wenhua Road, Hangzhou (CN) 310012

(**) Term: **14 Years**

(21) Appl. No.: **29/240,195**

(22) Filed: **Oct. 11, 2005**

(51) **LOC (9) Cl.** **10-05**

(52) **U.S. Cl.** **D10/106**

(58) **Field of Classification Search** D10/104, D10/106; 340/572.1, 571.2, 571.8, 571.9; 70/18, 202, 209, 58; D8/331, 333, 334
See application file for complete search history.

(56) **References Cited**

U.S. PATENT DOCUMENTS

1,949,402	A *	3/1934	Beaver	70/37
D293,547	S *	1/1988	Owen	D8/333
D296,867	S *	7/1988	Owen	D8/333
6,052,876	A *	4/2000	Hogan et al.	24/704.1
D487,389	S *	3/2004	Doustou, Jr.	D8/343
7,005,989	B2 *	2/2006	Benoit et al.	340/572.5
7,183,914	B2 *	2/2007	Norman et al.	340/568.1
D540,149	S *	4/2007	Tollefson	D8/330
7,205,894	B1 *	4/2007	Savage	340/568.6
7,212,115	B1 *	5/2007	Fawcett	340/546
D569,288	S *	5/2008	Raymond	D10/104
7,400,254	B2 *	7/2008	Yang et al.	340/572.1
2004/0233042	A1 *	11/2004	Piccoli et al.	340/10.1
2005/0199674	A1 *	9/2005	Lyon	227/67
2005/0231365	A1 *	10/2005	Tester et al.	340/568.1
2005/0270155	A1 *	12/2005	Sayegh	340/572.1
2005/0270161	A1 *	12/2005	Yang et al.	340/572.9
2006/0048551	A1 *	3/2006	Tanos	70/18

2006/0107707	A1 *	5/2006	Vaughn et al.	70/18
2006/0202833	A1 *	9/2006	Norman et al.	340/572.9
2007/0144223	A1 *	6/2007	Stone	70/18
2007/0252707	A1 *	11/2007	Seidel	340/572.9
2008/0084313	A1 *	4/2008	Seidel	340/572.9

* cited by examiner

Primary Examiner—Caron Veynar

Assistant Examiner—George D Kirschbaum

(74) *Attorney, Agent, or Firm*—Milord A. Keshishian

(57) **CLAIM**

The ornamental design for an electronic article surveillance tag, as shown and described.

DESCRIPTION

FIG. 1 is a frontal perspective view of the electronic article surveillance tag in an unengaged state showing the design;

FIG. 2 is a bottom side perspective view thereof in an unengaged state;

FIG. 3 is a right side elevational view thereof in an unengaged state;

FIG. 4 is a left side elevational view thereof in an unengaged state;

FIG. 5 is a right side elevational view thereof in an engaged state;

FIG. 6 is a left side elevational view thereof in an engaged state;

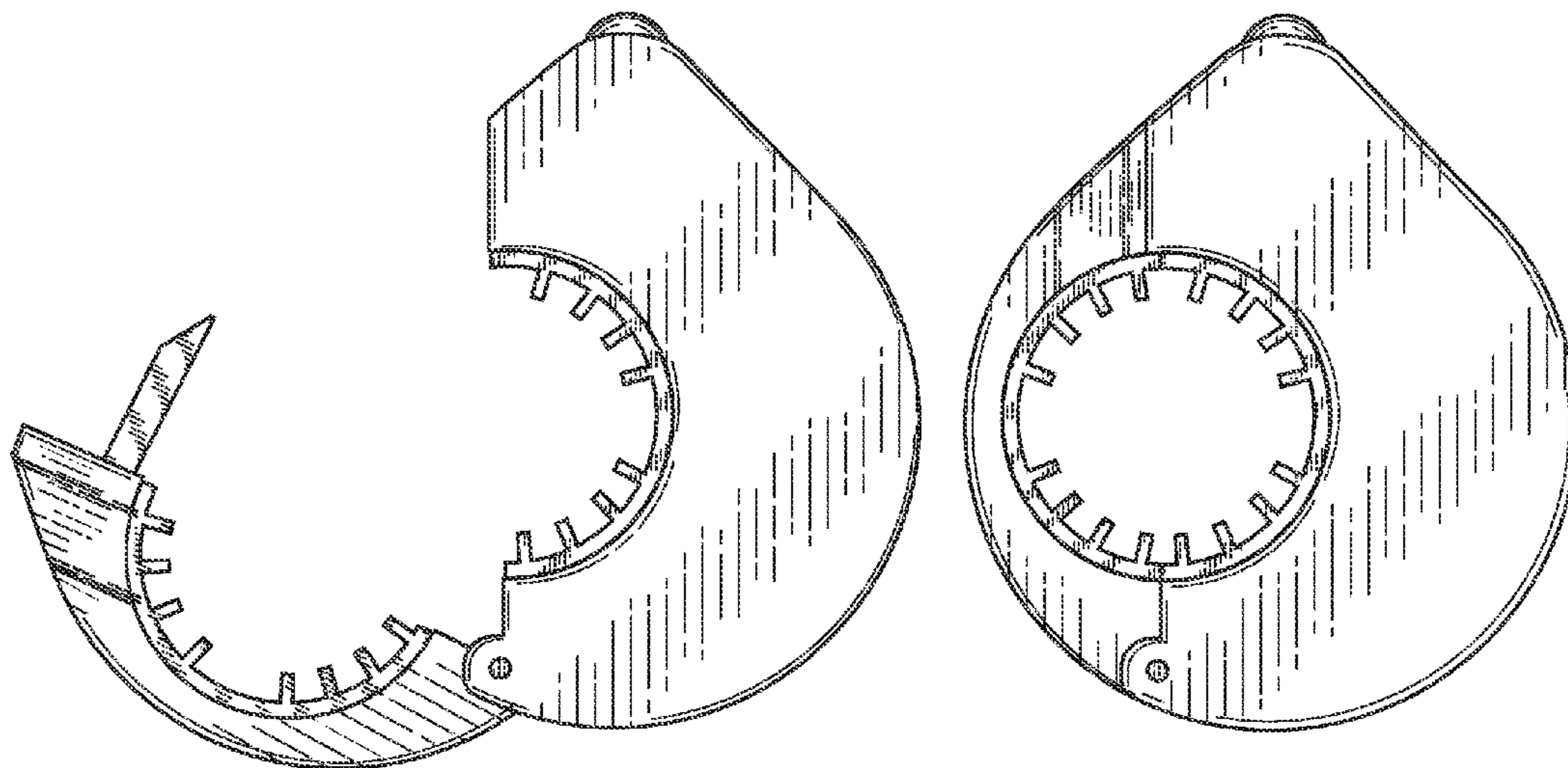
FIG. 7 is a frontal elevational view thereof in an engaged state;

FIG. 8 is a bottom side perspective view thereof in an engaged state;

FIG. 9 is a rearward perspective view thereof in an engaged state; and,

FIG. 10 is a top side perspective view thereof in an engaged state.

1 Claim, 5 Drawing Sheets



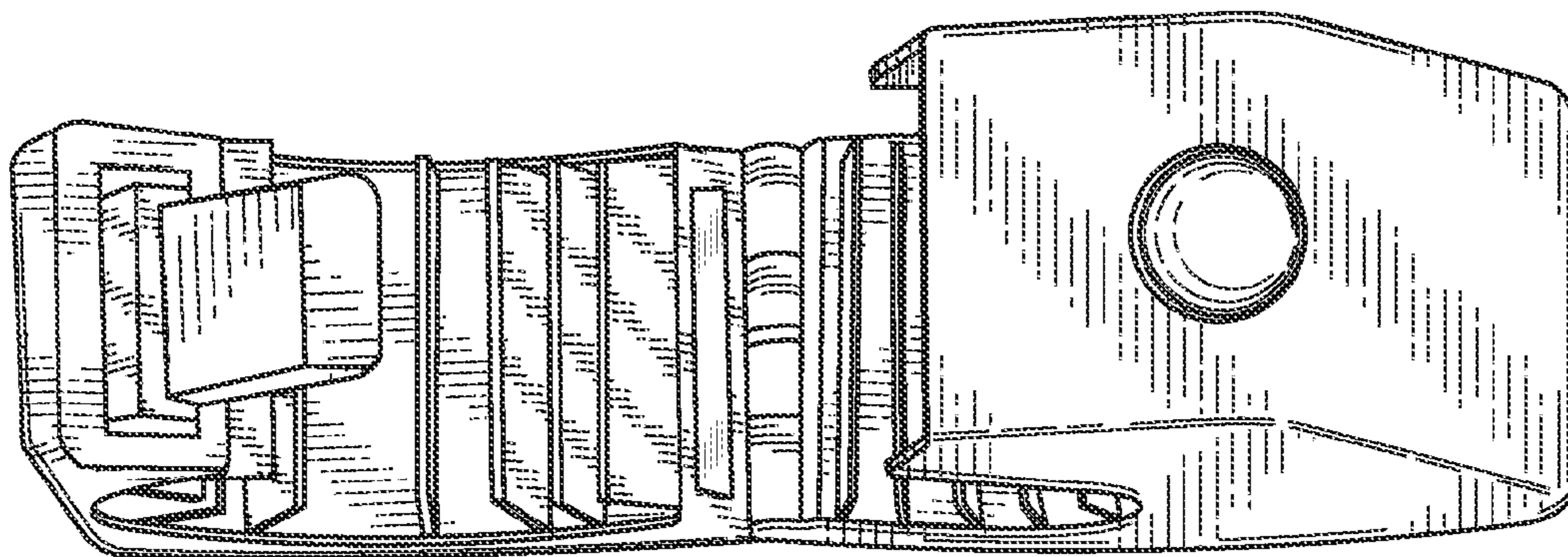


FIG. 1

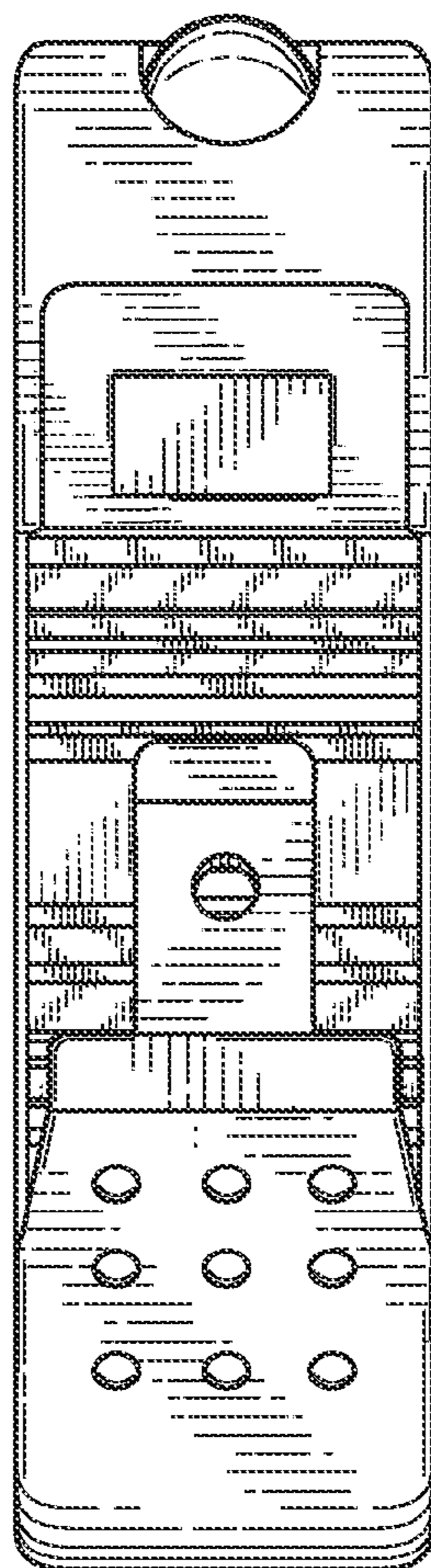


FIG. 2

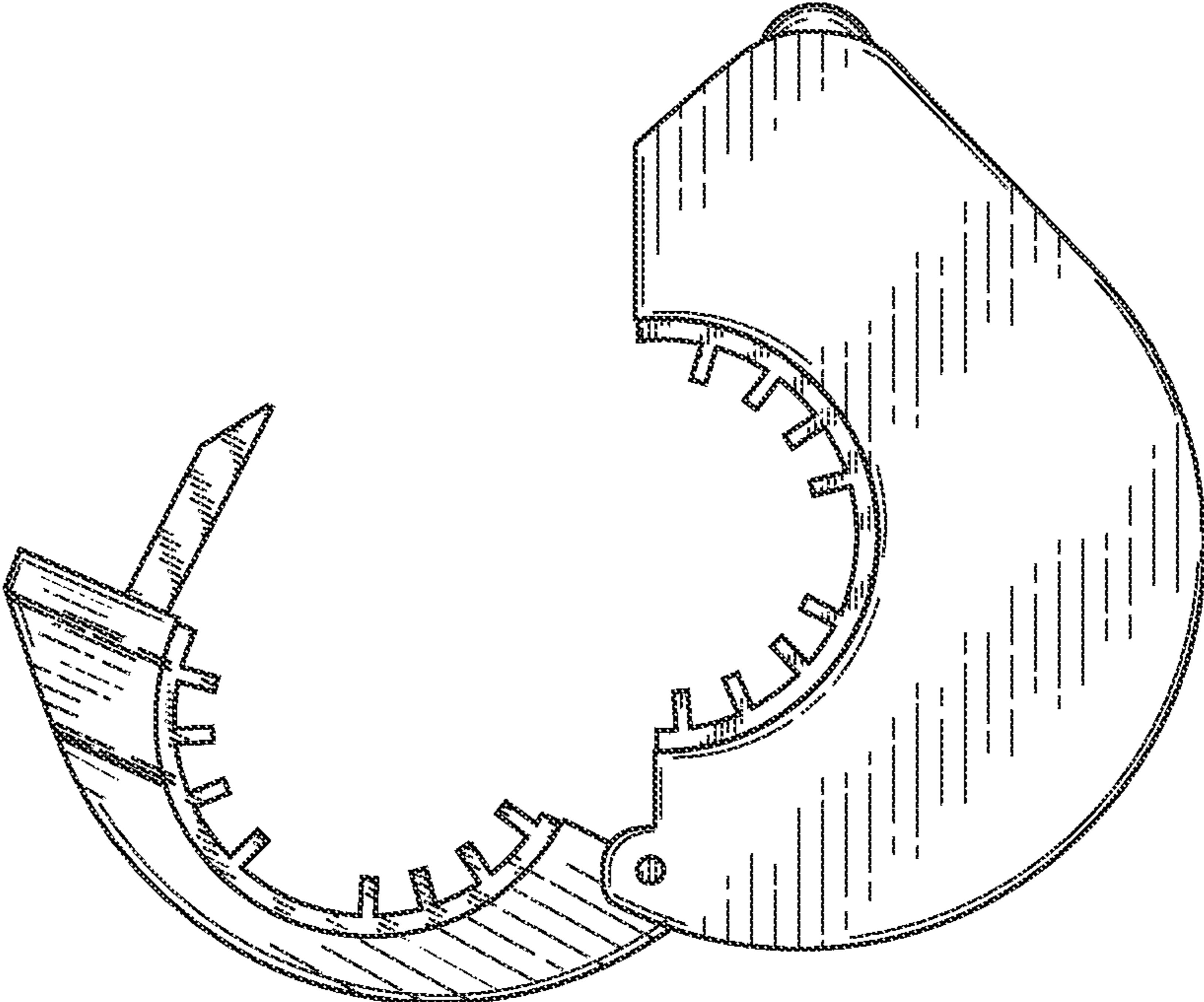


FIG. 3

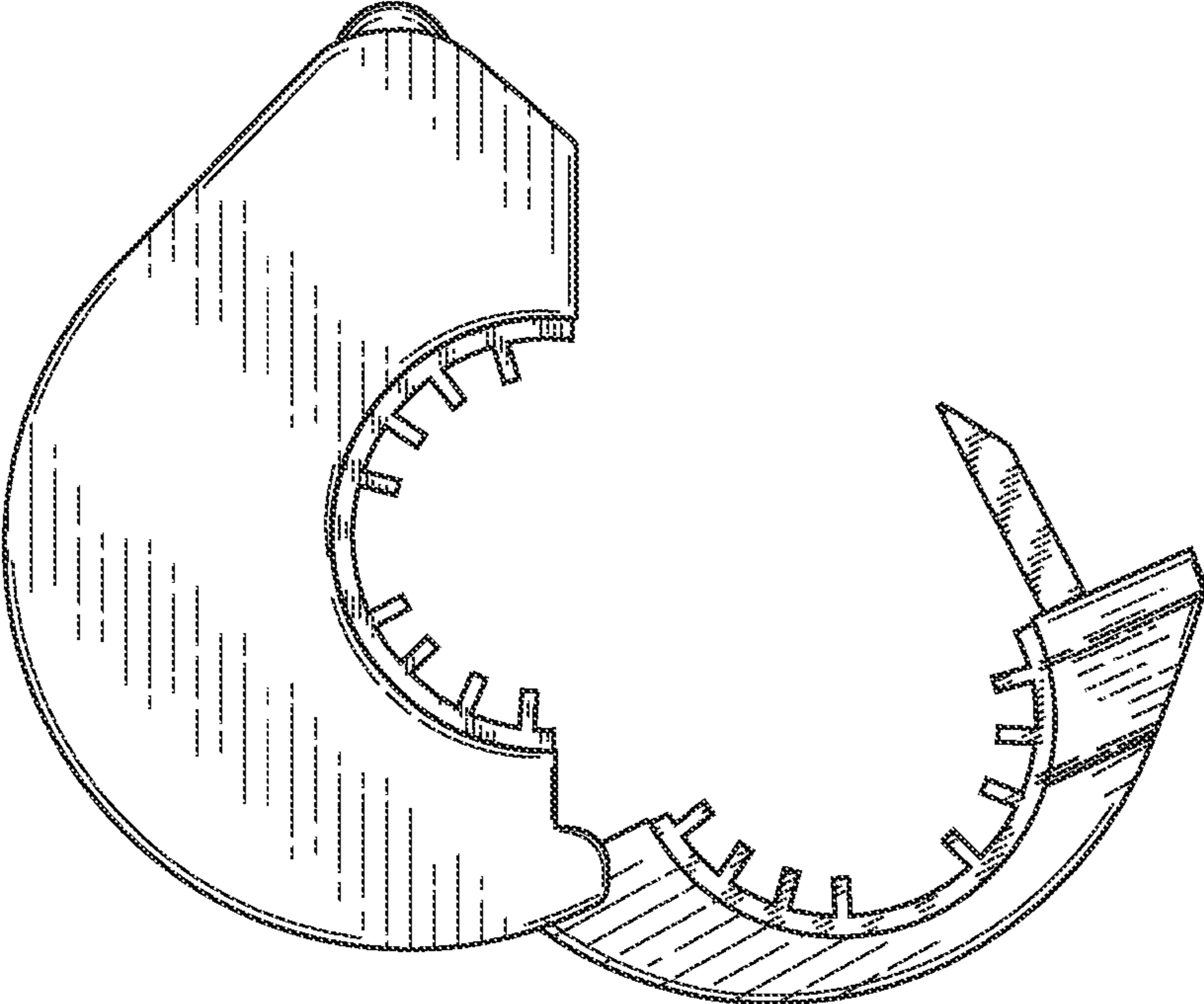


FIG. 4

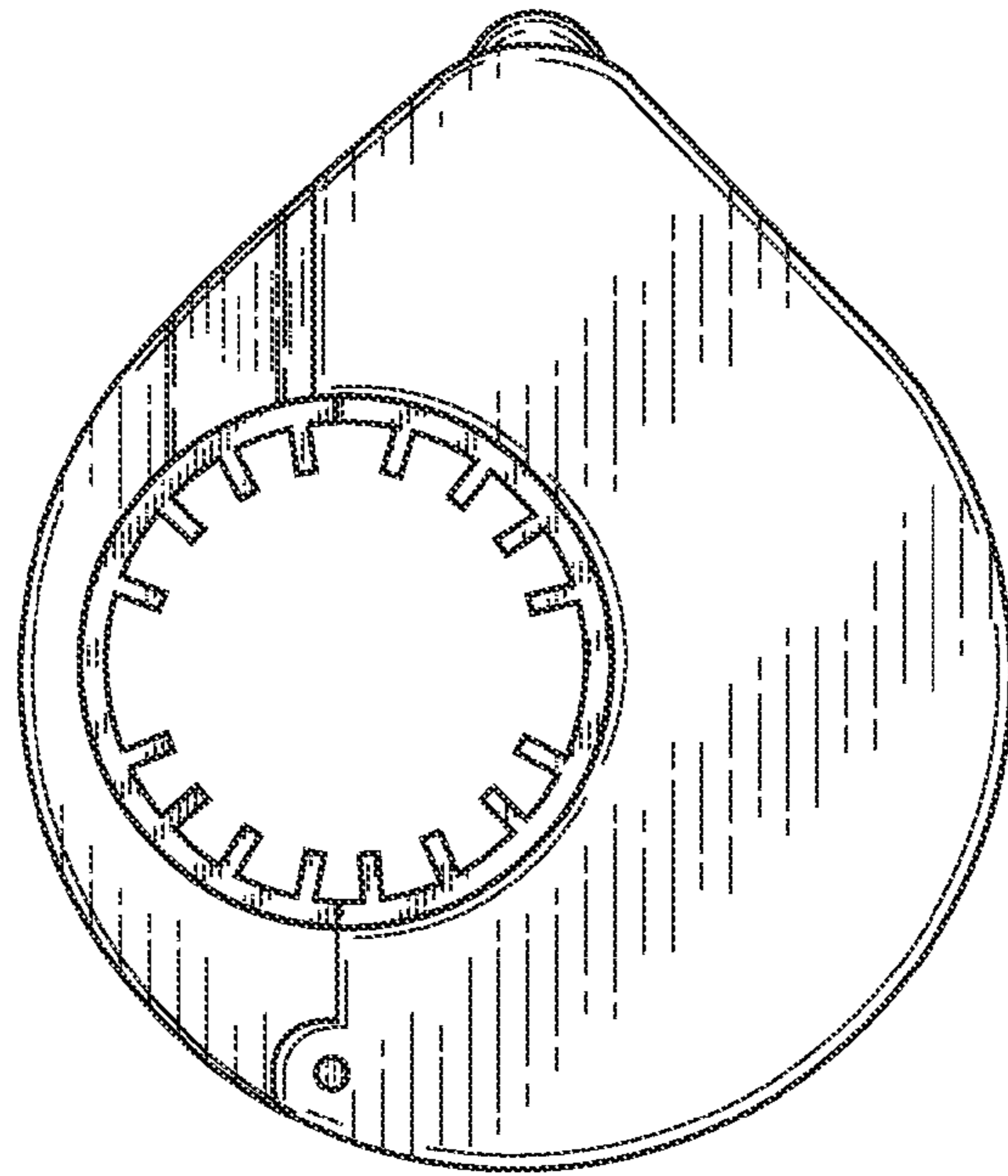


FIG. 5

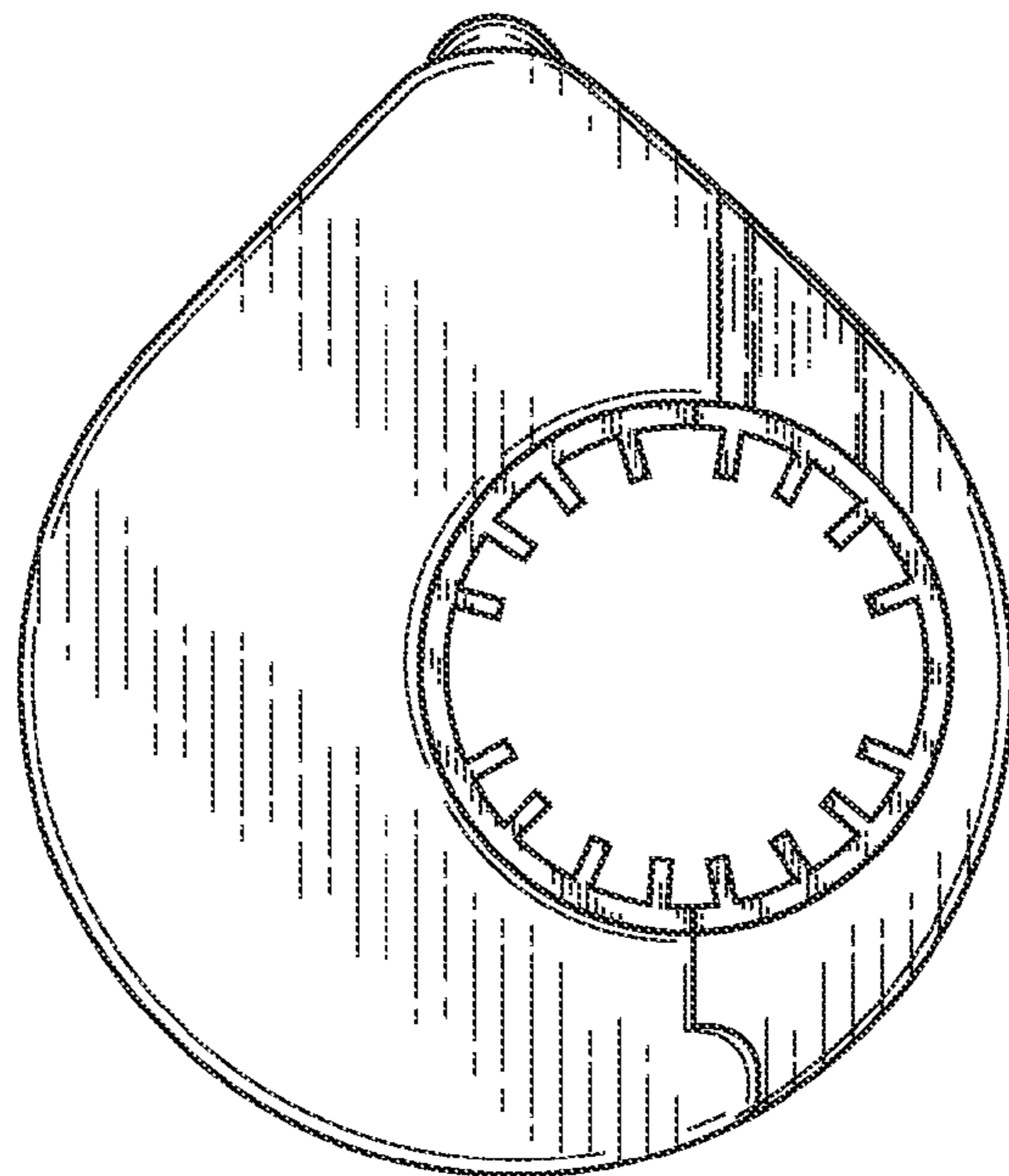


FIG. 6

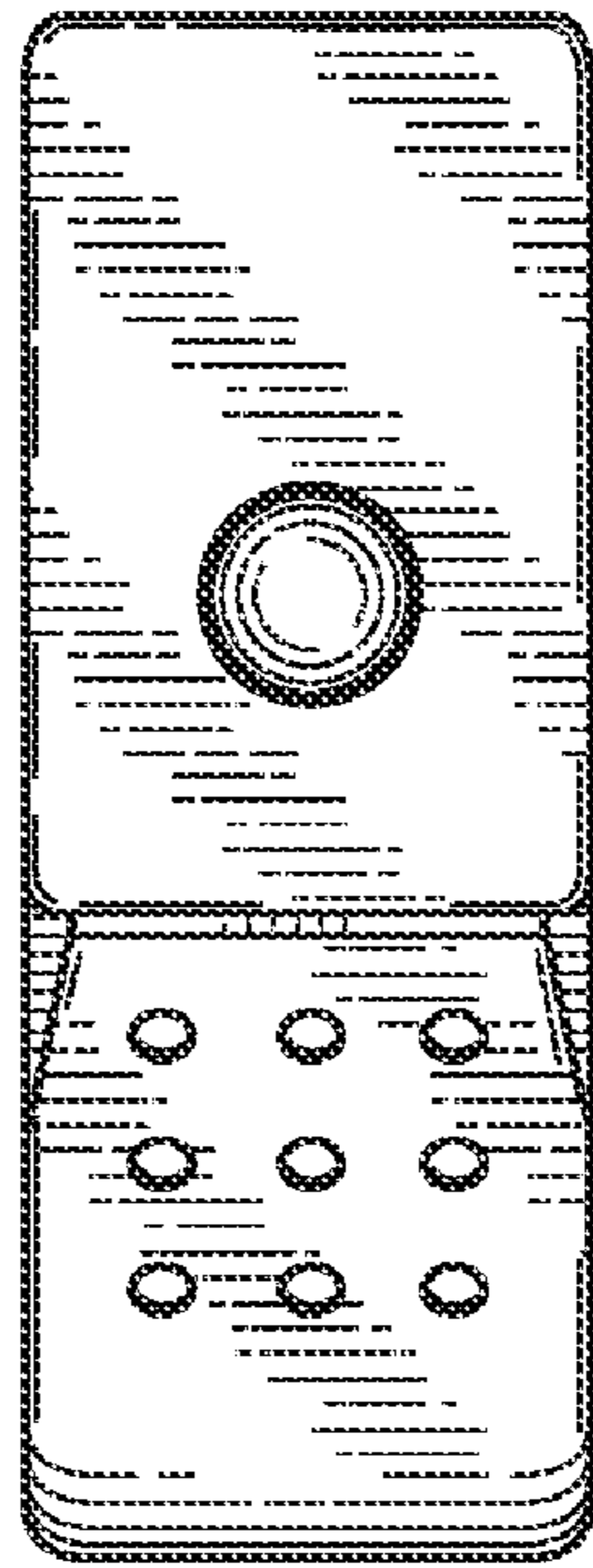


FIG. 7

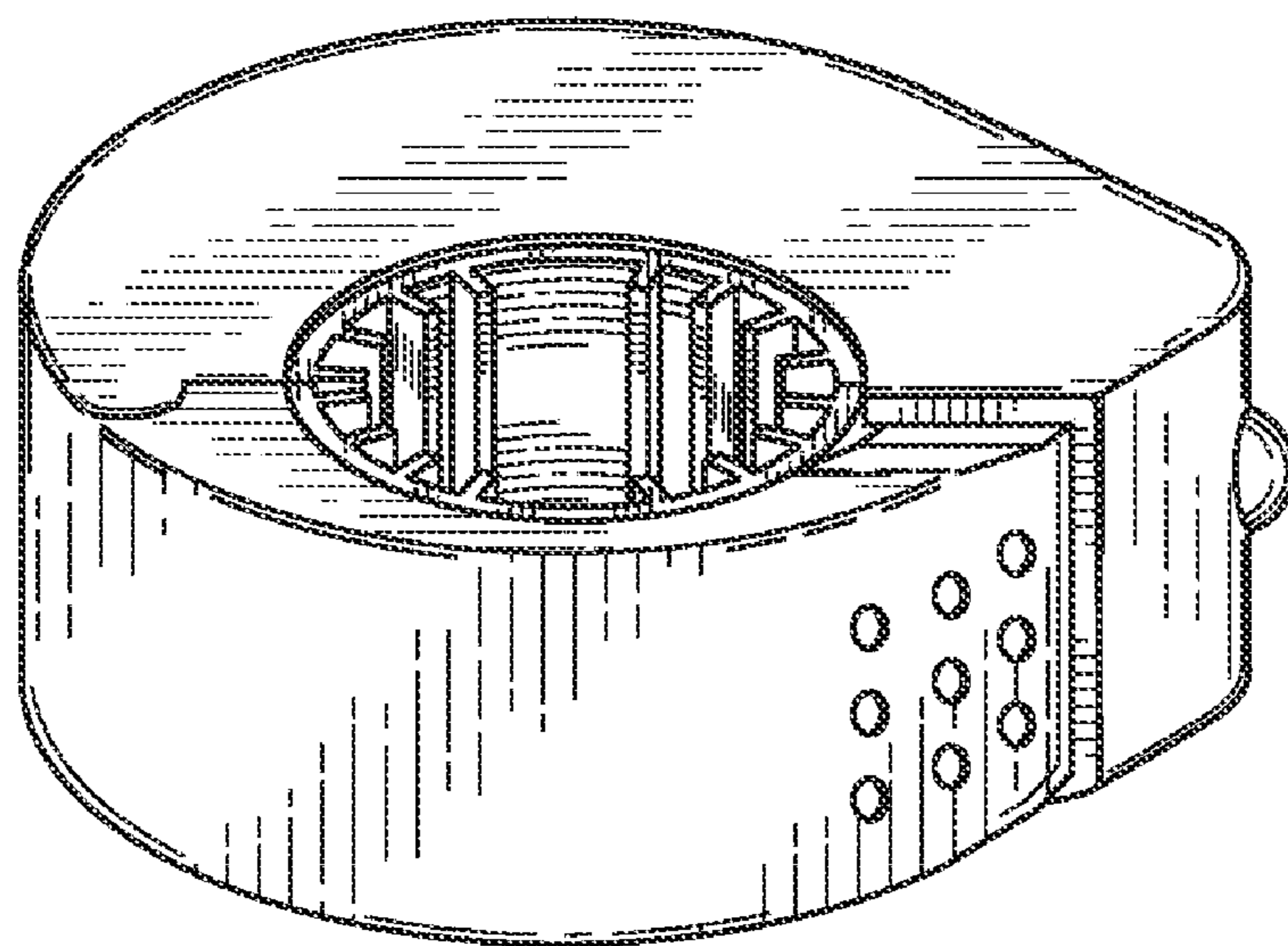


FIG. 8

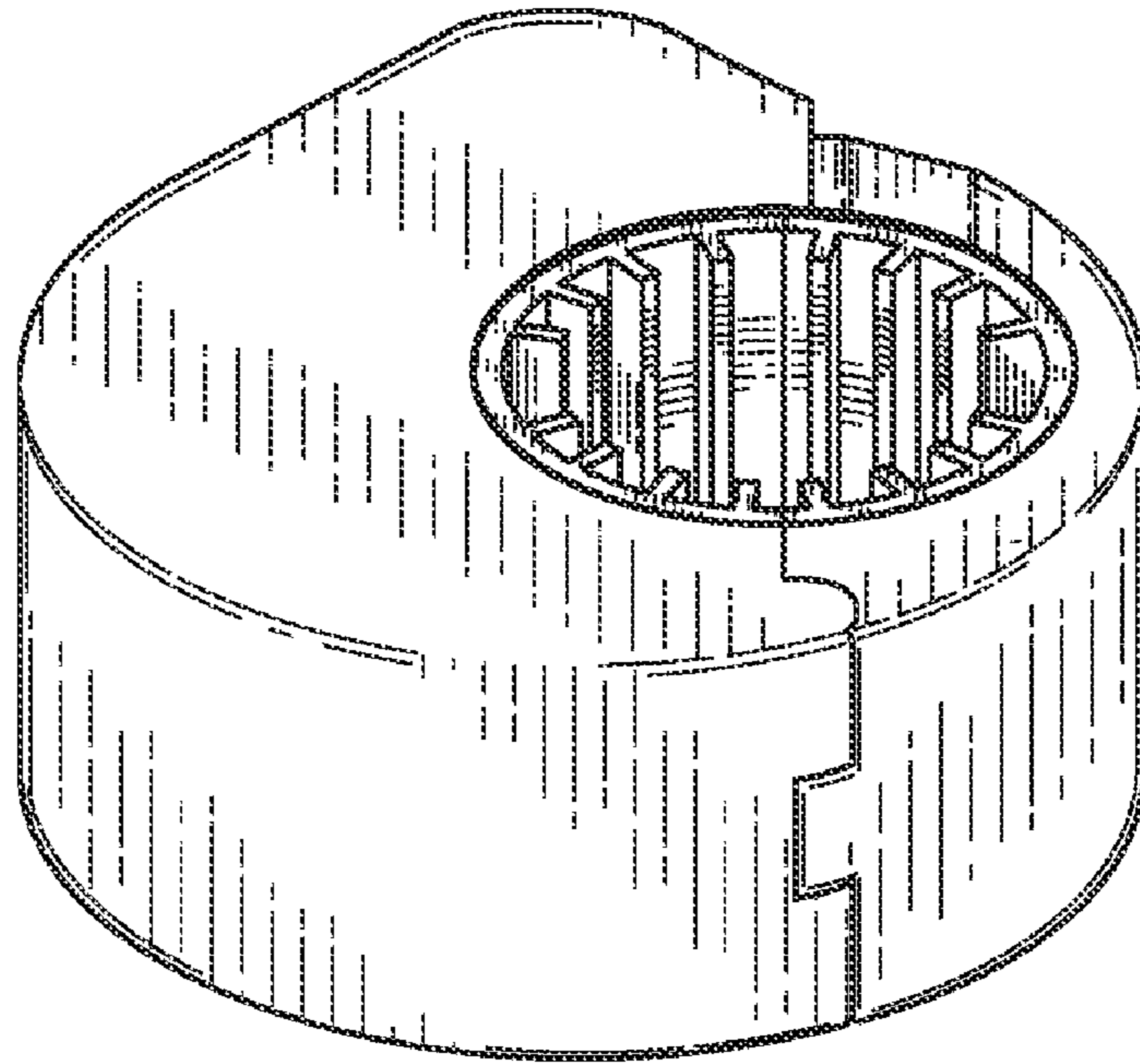


FIG. 9

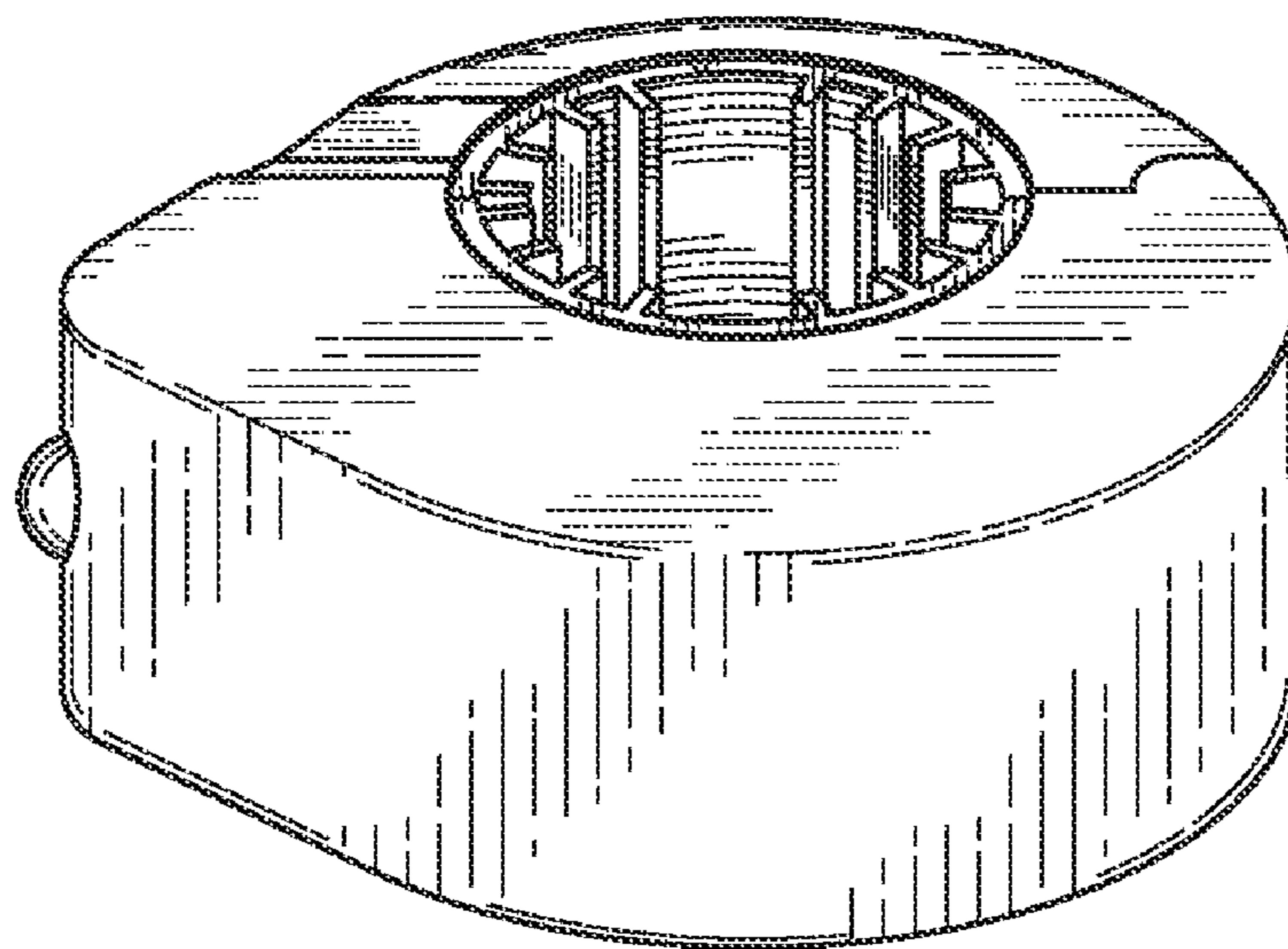


FIG. 10