



US00D596518S

(12) **United States Design Patent**  
**Kesselman**

(10) **Patent No.:** **US D596,518 S**  
(45) **Date of Patent:** **\*\* Jul. 21, 2009**

(54) **PORTABLE SCALE WITH HINGED EXPANDABLE FACE**

(76) Inventor: **Joshua David Kesselman**, 3315 W. Buckeye Rd., Ste. B, Phoenix, AZ (US) 85009

(\*\*) Term: **14 Years**

(21) Appl. No.: **29/312,402**

(22) Filed: **Oct. 20, 2008**

(51) **LOC (9) Cl.** ..... **10-04**

(52) **U.S. Cl.** ..... **D10/91**

(58) **Field of Classification Search** ..... D10/91;  
177/4, 25.12–25.16, 177, 199, 210 R, 238–245,  
177/262, 210 C, 30, 126, 127, DIG. 3; 324/692,  
324/512, 515, 806; 606/506, 547  
See application file for complete search history.

(56) **References Cited**

U.S. PATENT DOCUMENTS

4,744,428	A *	5/1988	Knottter et al.	.....	177/127
D472,833	S *	4/2003	Thadani	.....	D10/91
6,600,110	B1 *	7/2003	Thadani et al.	.....	177/126
D505,347	S *	5/2005	Huang	.....	D10/87
D525,891	S *	8/2006	Guan	.....	D10/91
D531,075	S *	10/2006	Vantine	.....	D10/92
D547,217	S *	7/2007	Montagnino et al.	.....	D10/91
D581,301	S *	11/2008	Vantine	.....	D10/91

\* cited by examiner

Primary Examiner—Antoine D Davis

(57) **CLAIM**

The ornamental design for a portable scale with hinged expandable face, as shown and described.

**DESCRIPTION**

FIG. 1 is a top side perspective view of my new portable scale with hinged expandable face design

FIG. 2 is a top plan view of my new portable scale with hinged expandable face design

FIG. 3 is a bottom plan view of my new portable scale with hinged expandable face design

FIG. 4 is a front elevational view of my new portable scale with hinged expandable face design

FIG. 5 is a rear elevational view of my new portable scale with hinged expandable face design

FIG. 6 is a left side elevational view of my new portable scale with hinged expandable face design

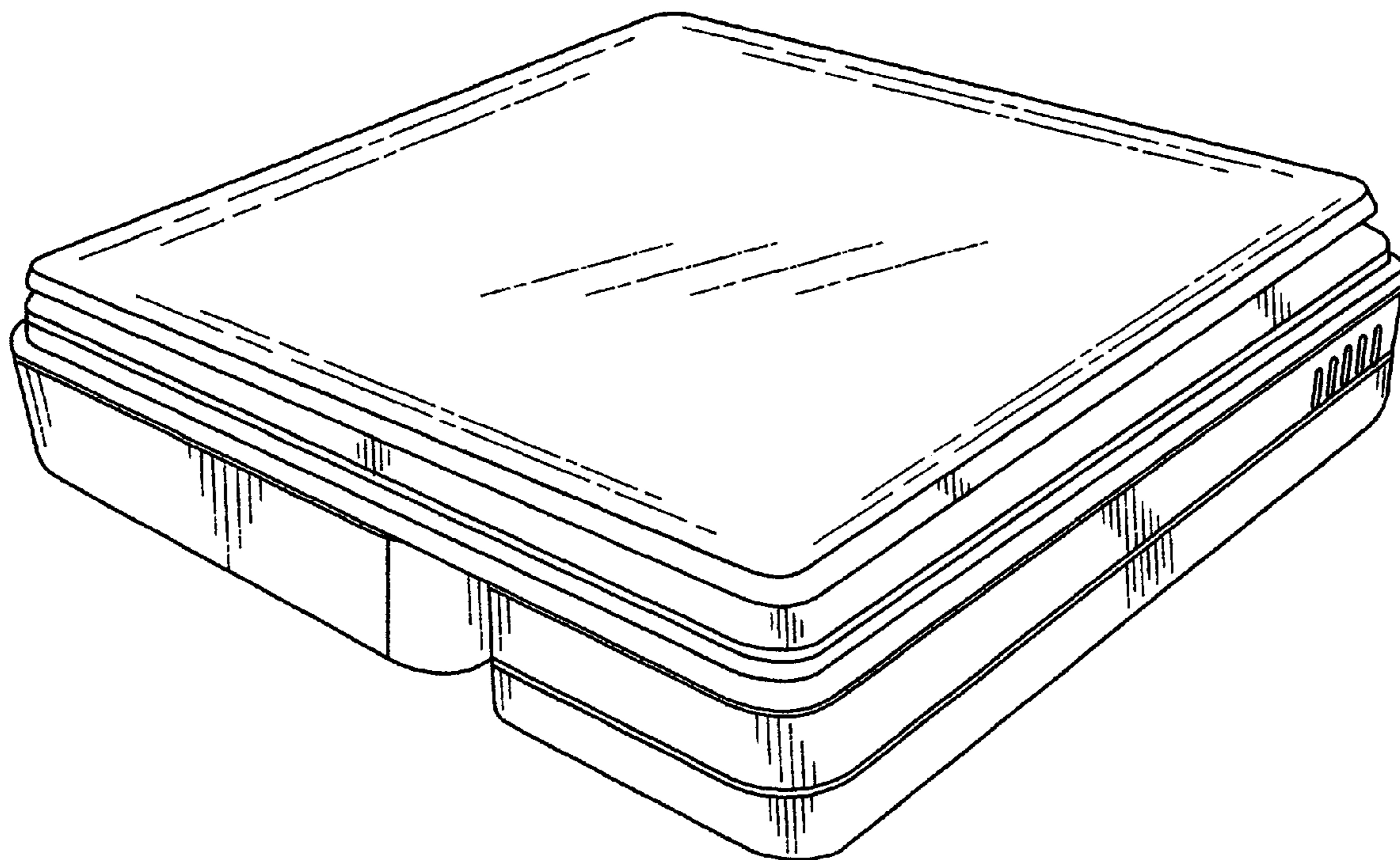
FIG. 7 is a top side perspective view of my new portable scale with hinged expandable face design with the hinged display extended outwards in its “open” position

FIG. 8 is a top plan view of my new portable scale with hinged expandable face design with the hinged display extended outwards in its “open” position

FIG. 9 is a bottom plan view of my new portable scale with hinged expandable face design with the hinged display extended outwards in its “open” position; and,

FIG. 10 is a side perspective elevational view of my new portable scale with hinged expandable face design with the hinged display extended outwards in its “open” position.

**1 Claim, 8 Drawing Sheets**



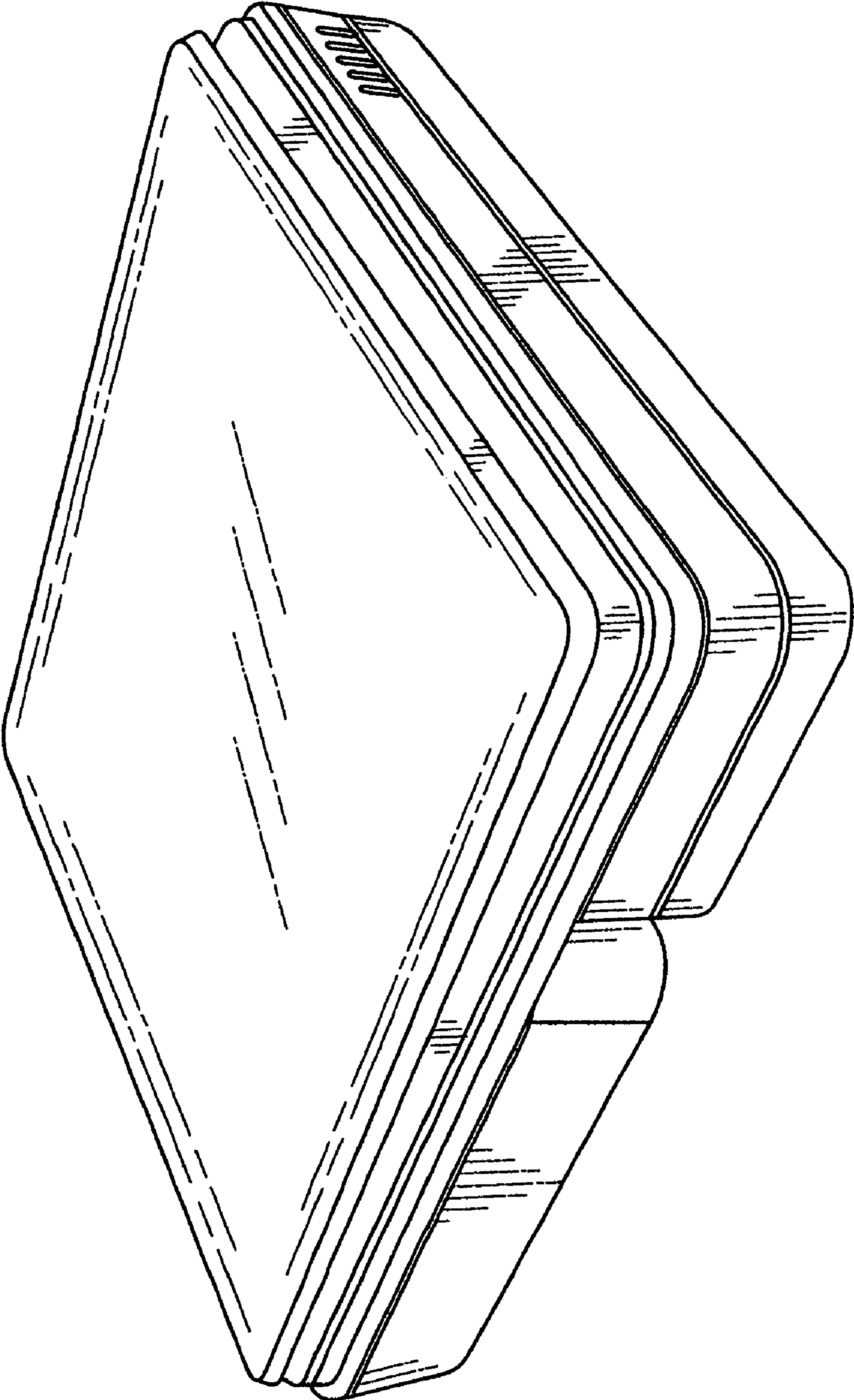


FIG. 1

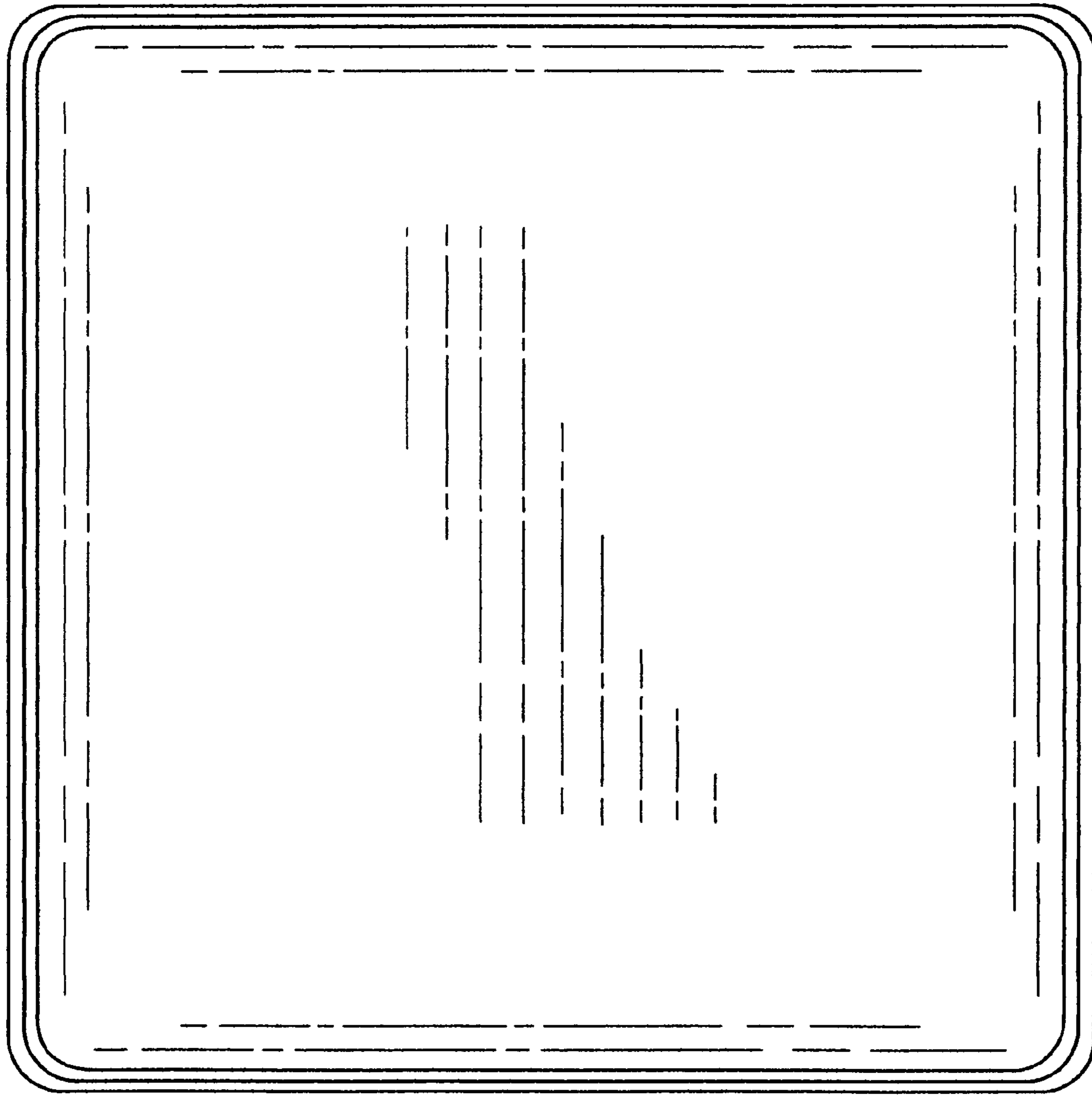


FIG. 2

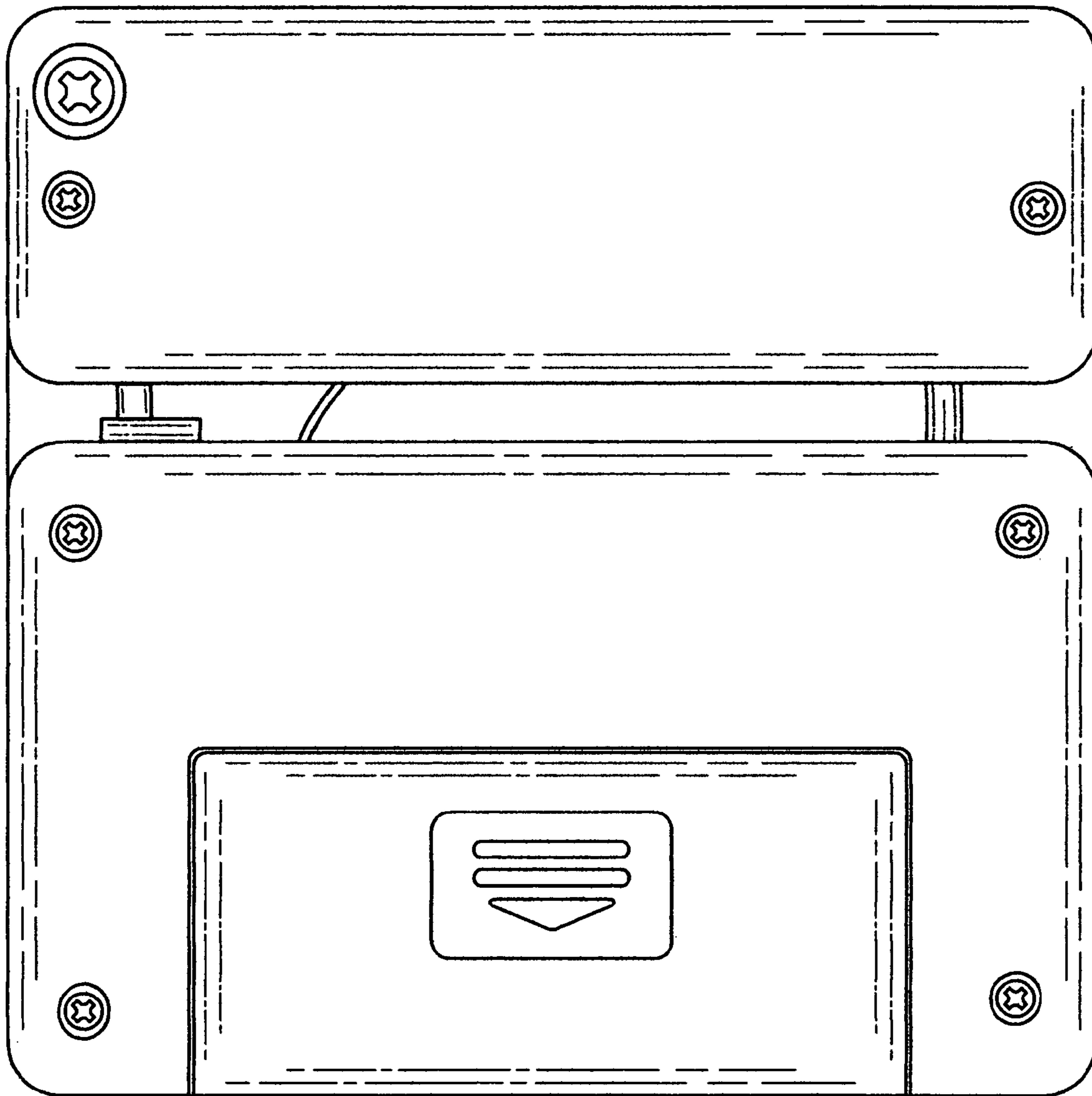


FIG. 3

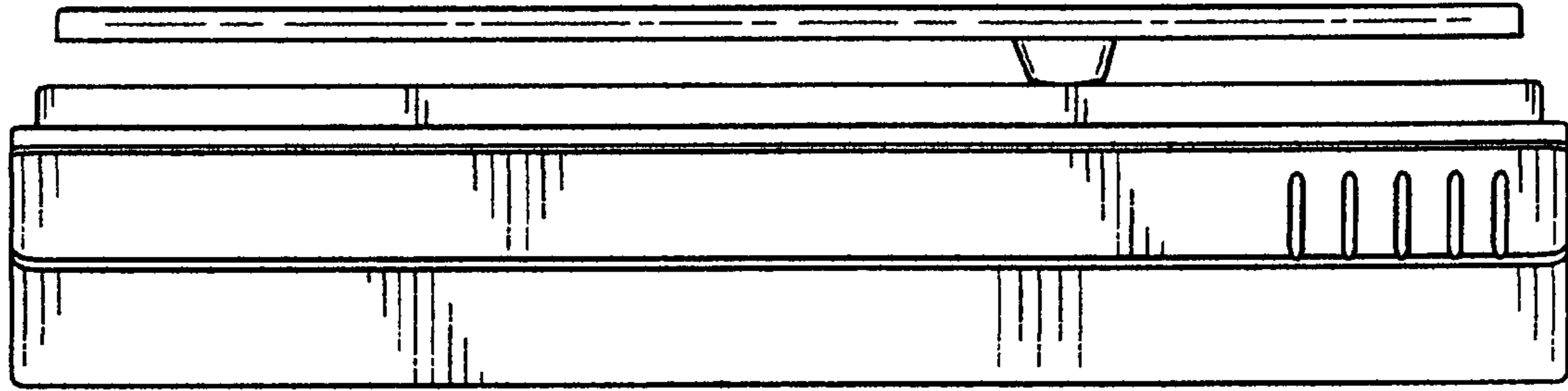


FIG. 4

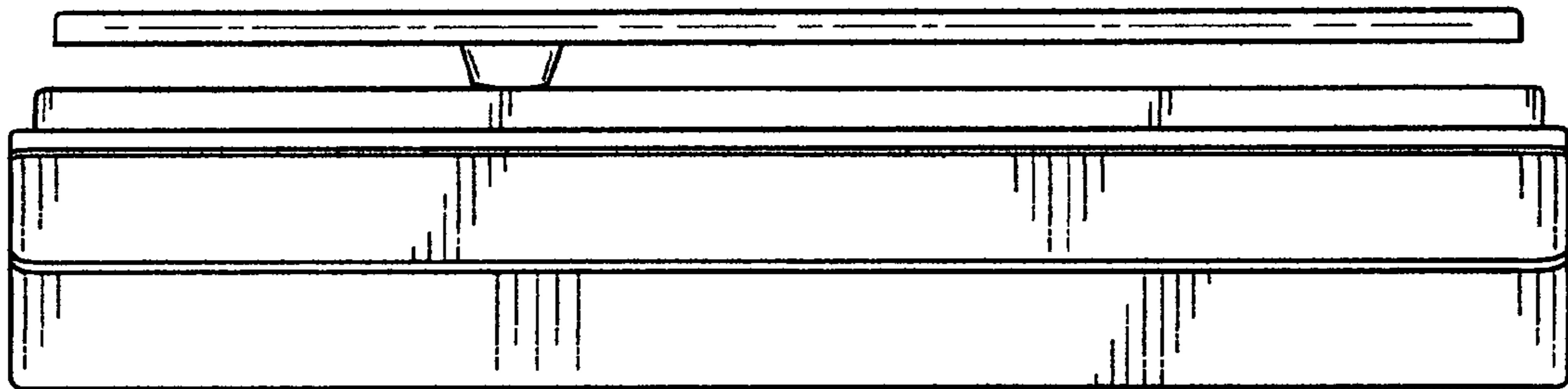


FIG. 5

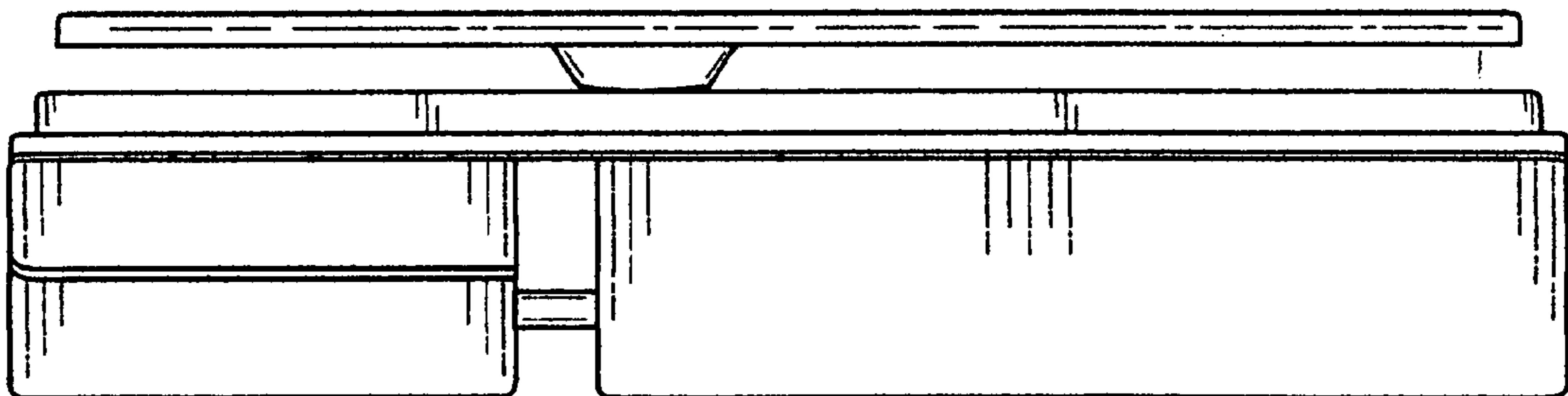


FIG. 6

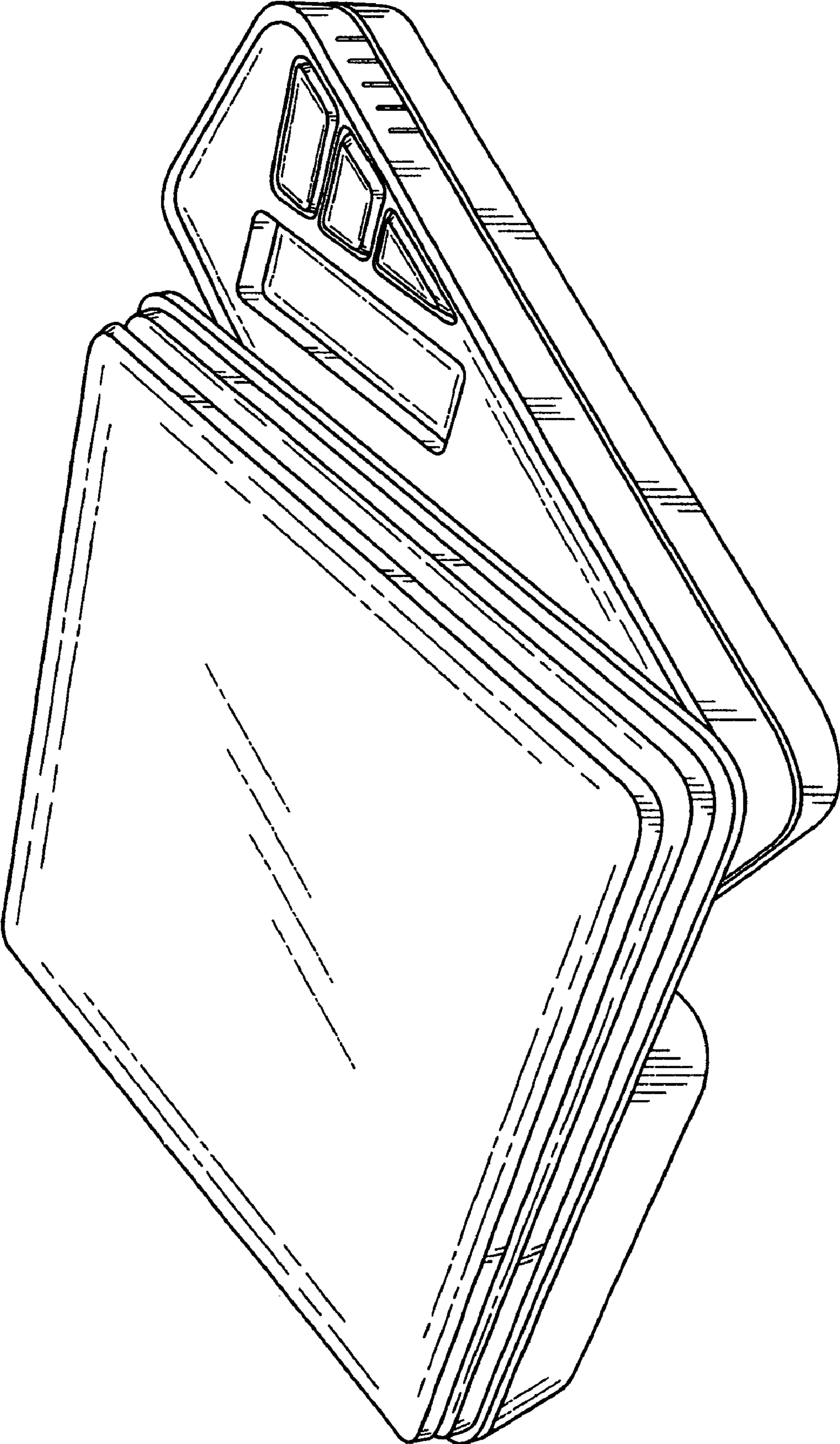


FIG. 7

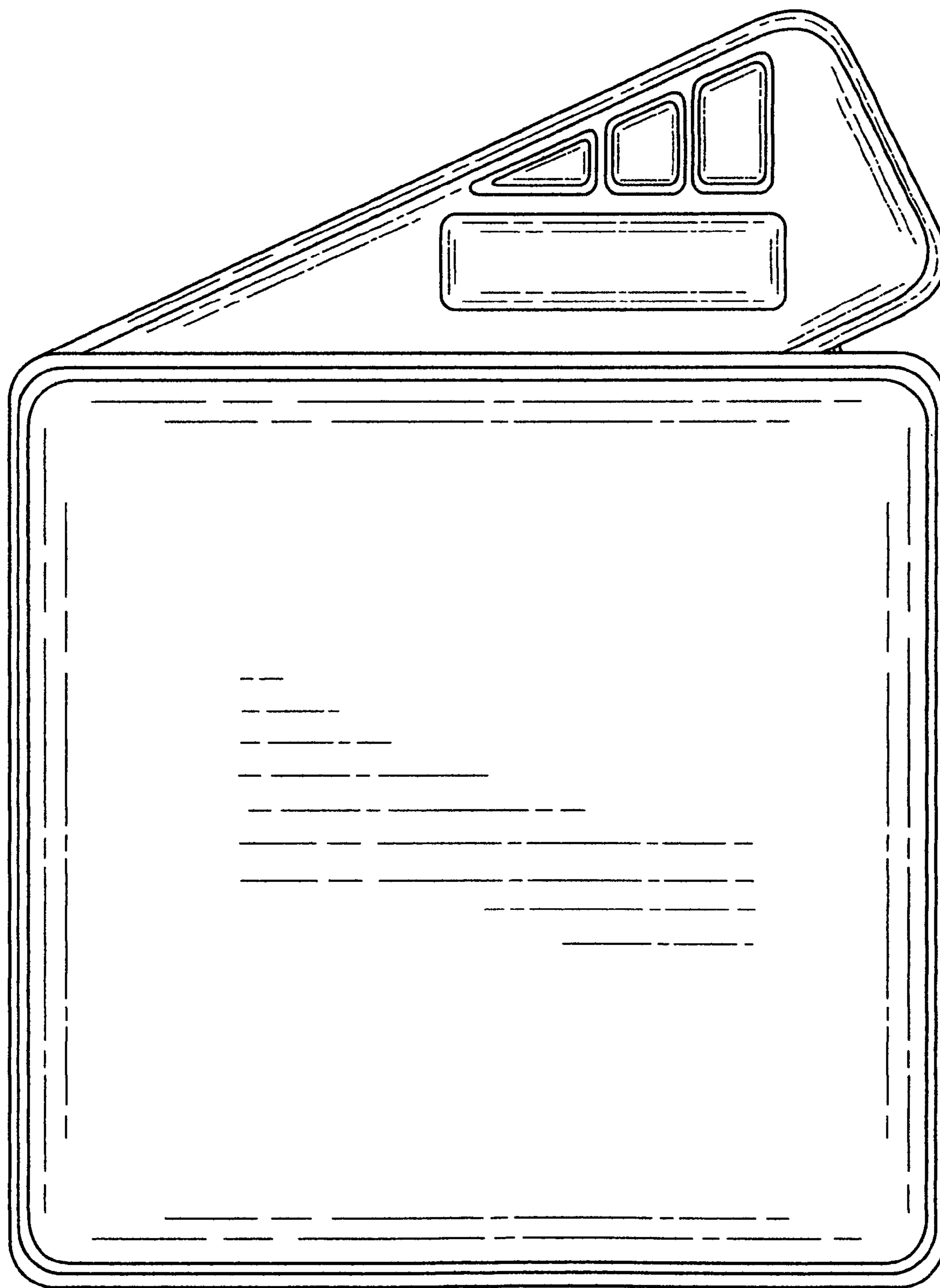


FIG. 8

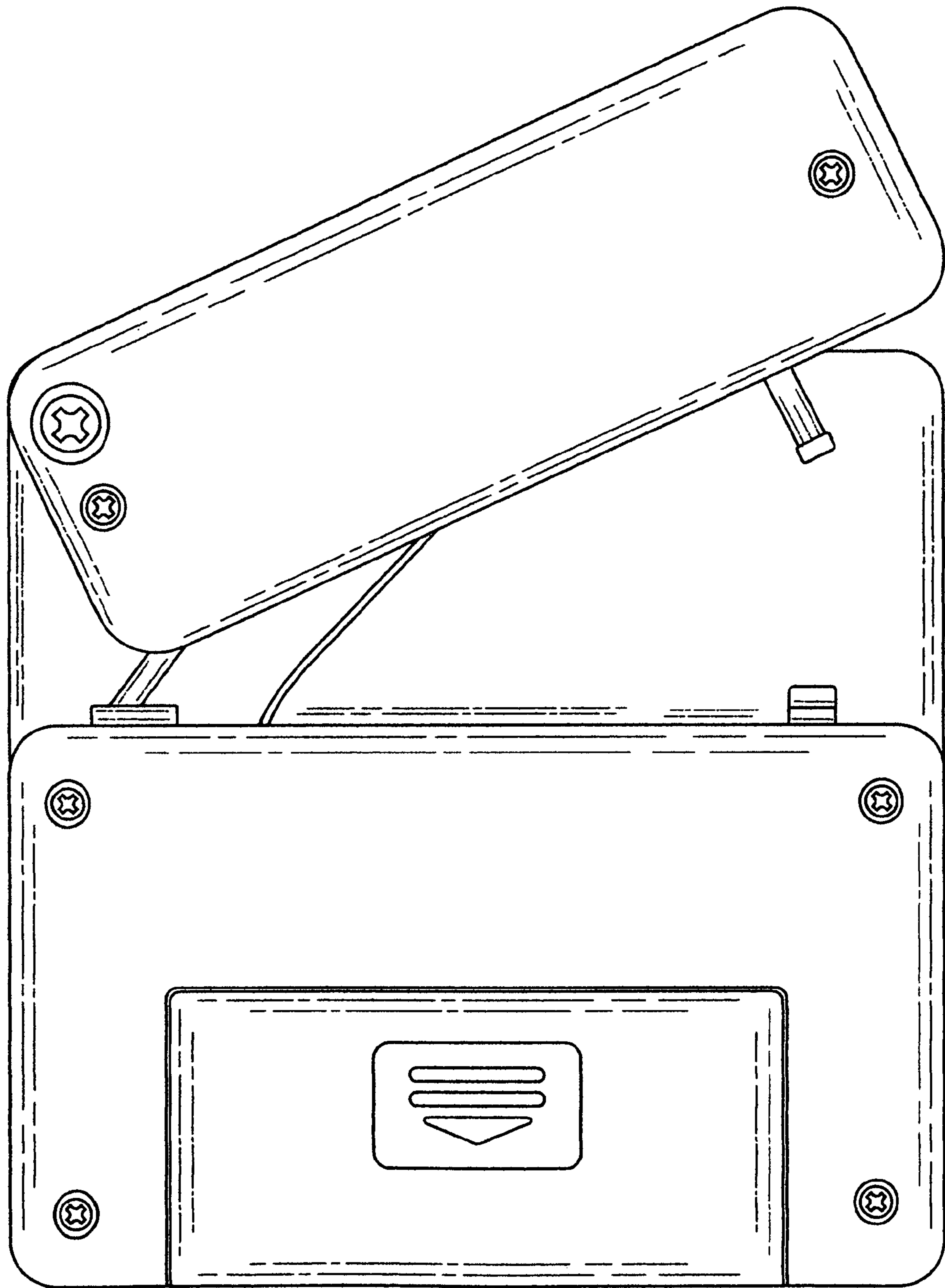


FIG. 9



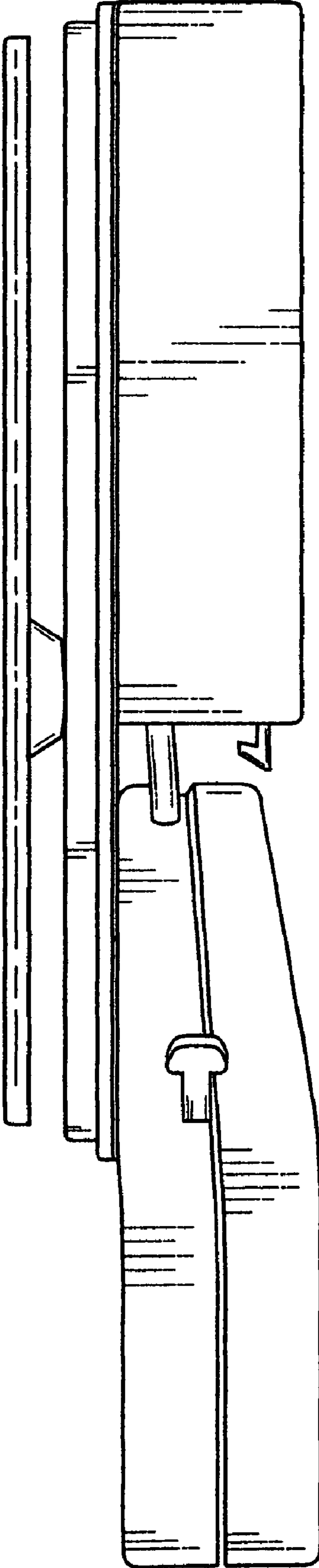


FIG. 10