



US00D596517S

(12) **United States Design Patent**  
**Kesselman**

(10) **Patent No.:** **US D596,517 S**  
(45) **Date of Patent:** **\*\* Jul. 21, 2009**

(54) **SHIPPING SCALE WITH EXPANDABLE FACE**

*Primary Examiner*—Antoine D Davis

(76) Inventor: **Joshua David Kesselman**, 3315 W.  
Buckeye Rd., Ste. B, Phoenix, AZ (US)  
85009

(57) **CLAIM**

The ornamental design for a shipping scale with expandable face, as shown and described.

(\*\*) Term: **14 Years**

**DESCRIPTION**

(21) Appl. No.: **29/312,221**

FIG. 1 is a top side perspective view of my new shipping scale with expandable face design

(22) Filed: **Oct. 7, 2008**

FIG. 2 is a top plan view of my new shipping scale with expandable face design

(51) **LOC (9) Cl.** ..... **10-04**

FIG. 3 is a bottom plan view of my new shipping scale with expandable face design

(52) **U.S. Cl.** ..... **D10/91**

FIG. 4 is a left side elevational view of my new shipping scale with expandable face design

(58) **Field of Classification Search** ..... D10/91;  
177/4, 25.12–25.16, 177, 199, 210 R, 238–245,  
177/262, 210 C, 30, 126, 127, DIG. 3; 324/692,  
324/512, 515, 806; 606/506, 547  
See application file for complete search history.

FIG. 5 is a right side elevational view of my new shipping scale with expandable face design

(56) **References Cited**

**U.S. PATENT DOCUMENTS**

FIG. 6 is a front elevational view of my new shipping scale with expandable face design

6,191,371 B1 *	2/2001	Olberg et al.	177/25.14
D458,553 S *	6/2002	Dwertmann	D10/91
6,777,625 B2 *	8/2004	Oldendorf	177/210 R
RE38,744 E *	6/2005	Oldendorf et al.	177/25.11
D506,941 S *	7/2005	Leisinger et al.	D10/91
7,256,357 B1 *	8/2007	Kesselman	177/25.15
D579,808 S *	11/2008	Marmier	D10/91
D587,609 S *	3/2009	Marmier	D10/91

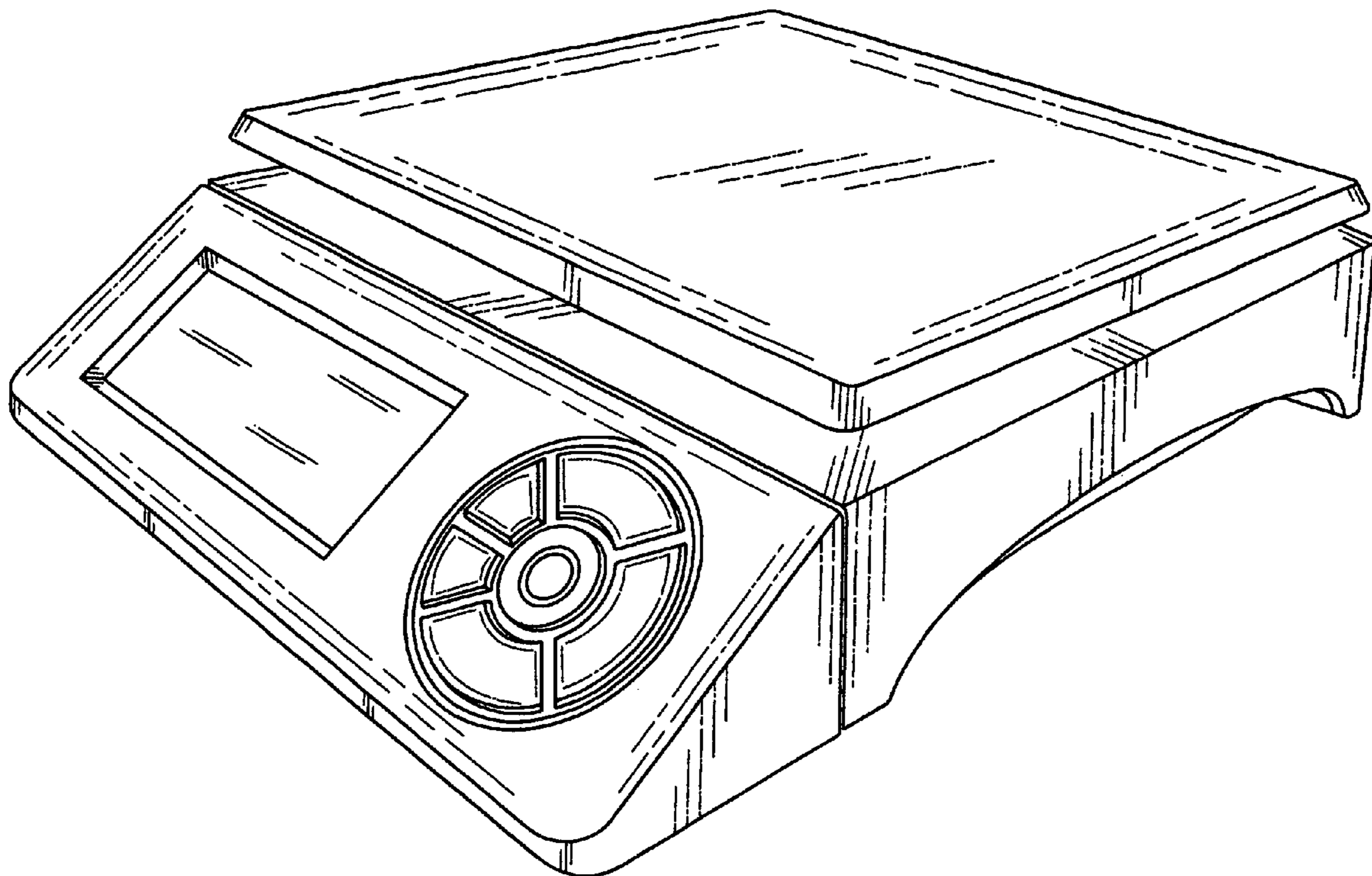
FIG. 7 is a rear elevational view of my new shipping scale with expandable face design

FIG. 8 is a top side perspective view of my new shipping scale with expandable face design with the front faceplate expanded outwards away from the body of the scale; and,

FIG. 9 is a top plan view of my new shipping scale with expandable face design with the front faceplate expanded outwards away from the body of the scale.

\* cited by examiner

**1 Claim, 7 Drawing Sheets**



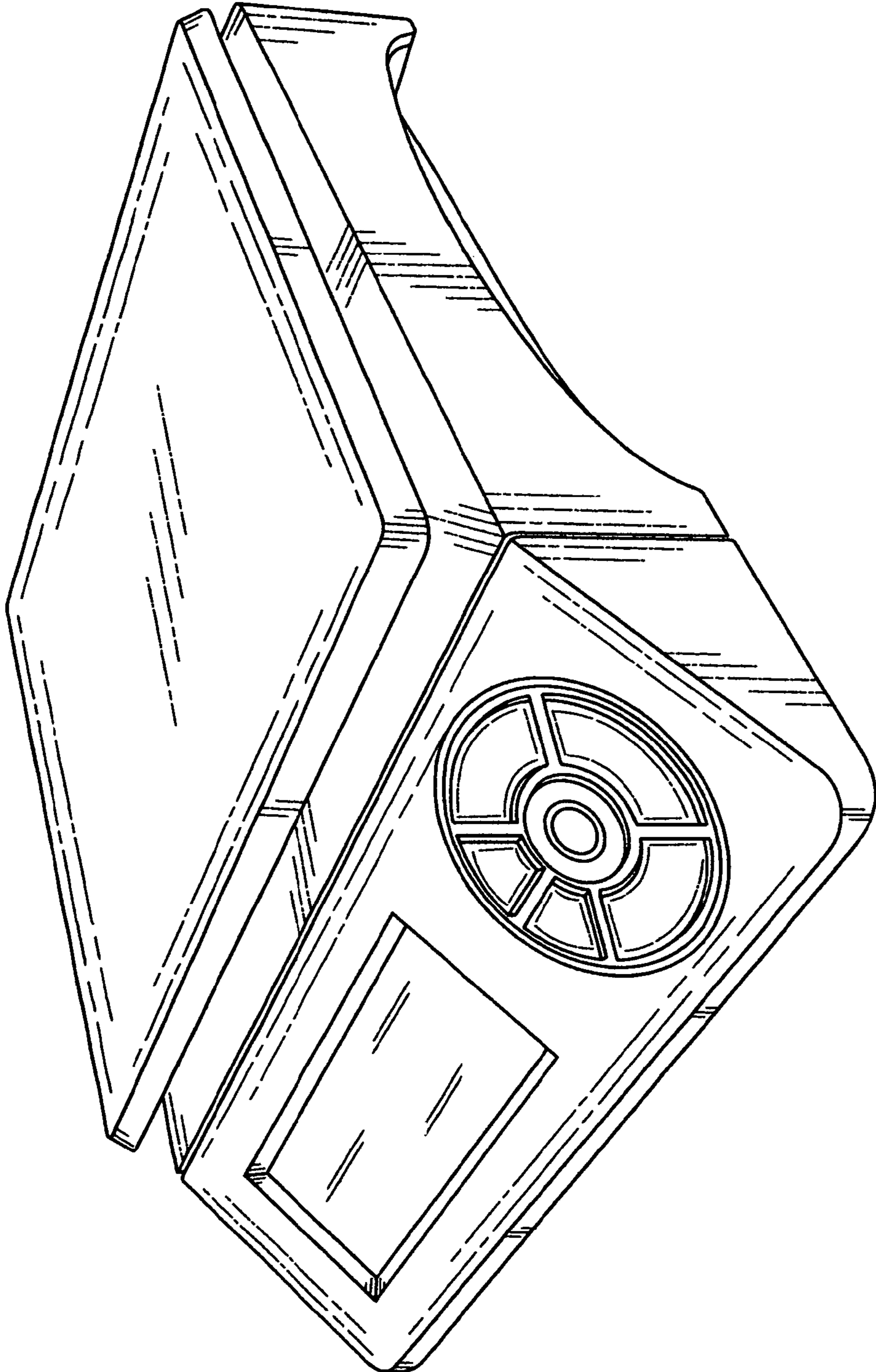


FIG. 1

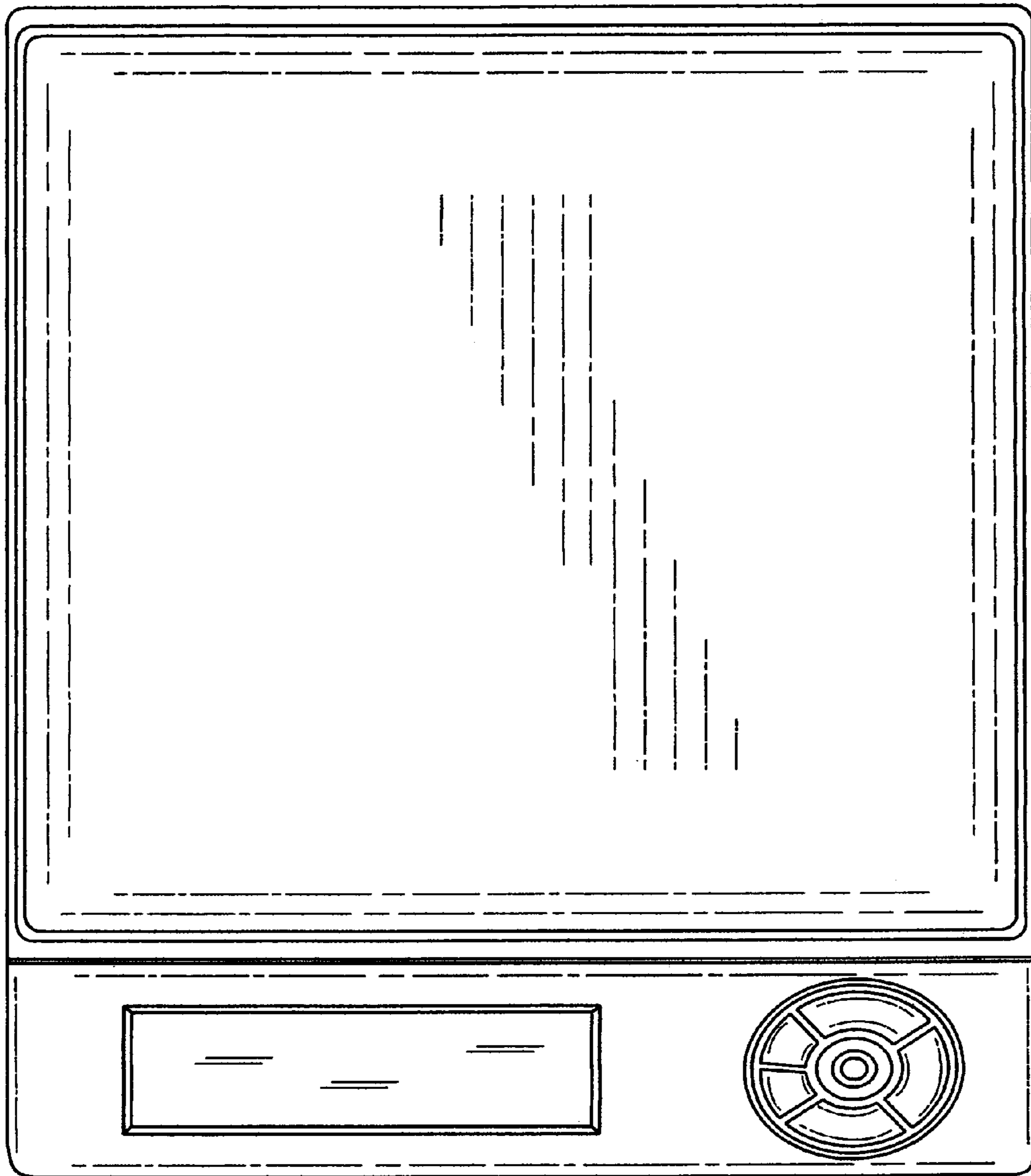


FIG. 2

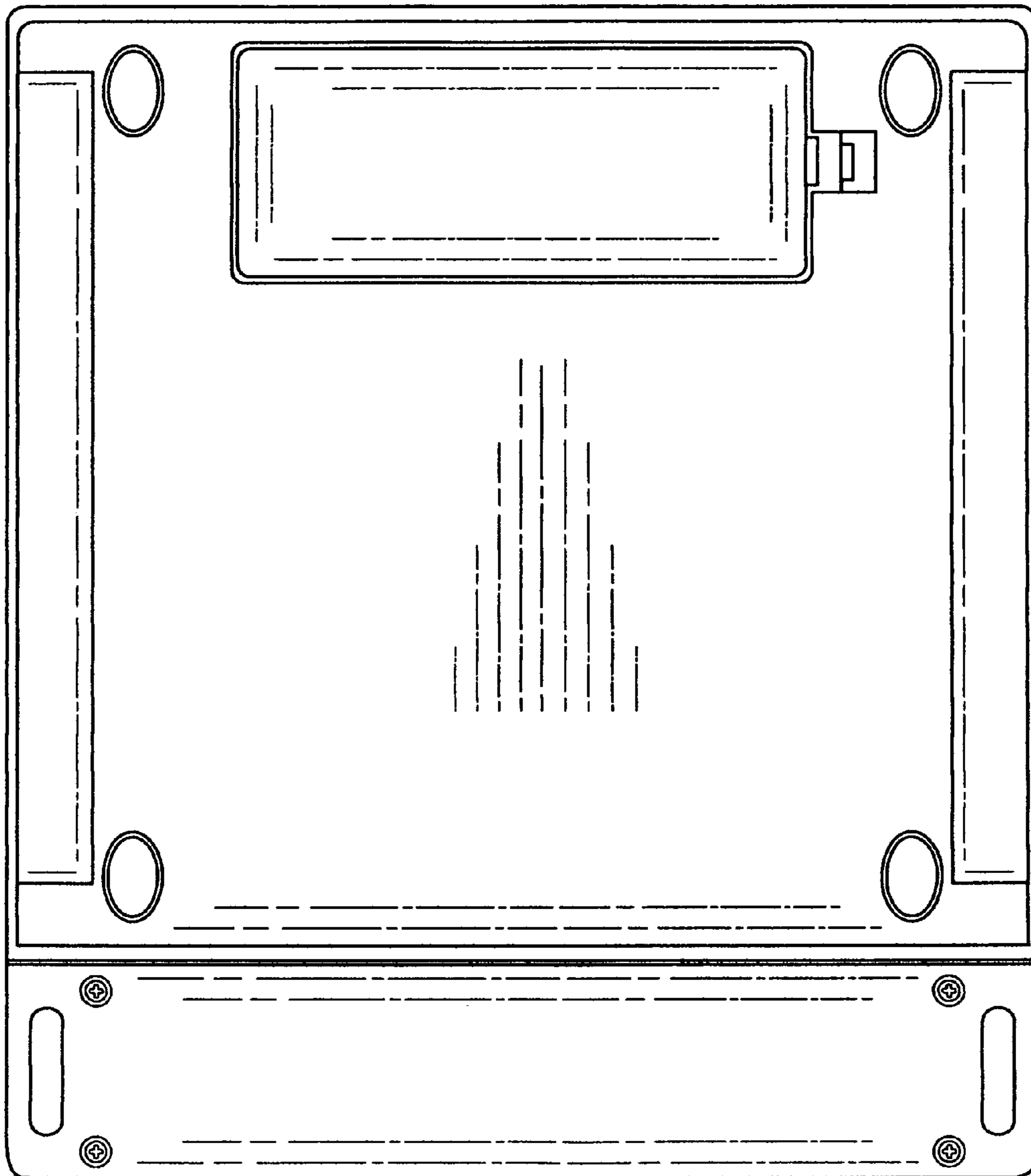


FIG. 3

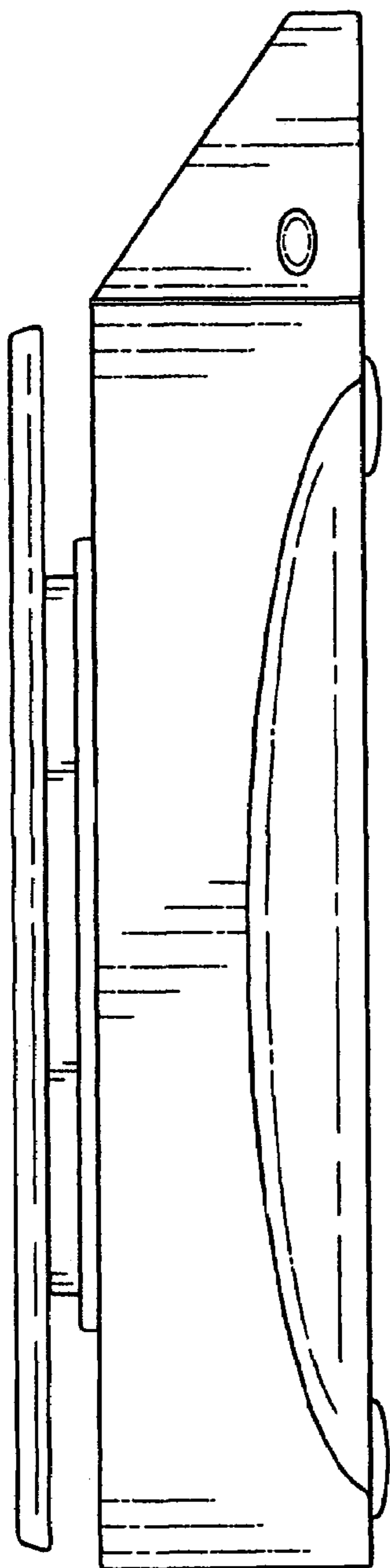


FIG. 4

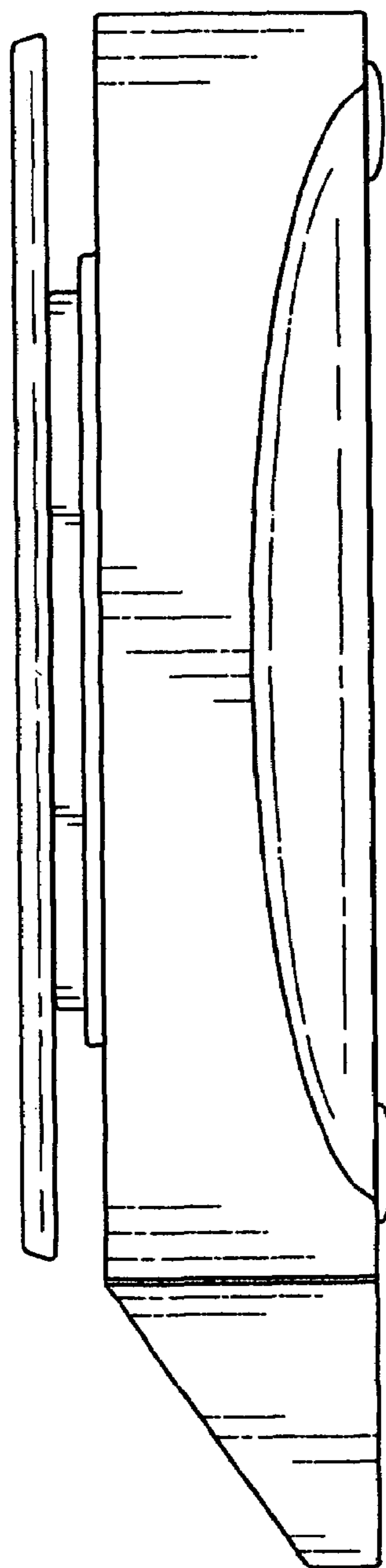


FIG. 5

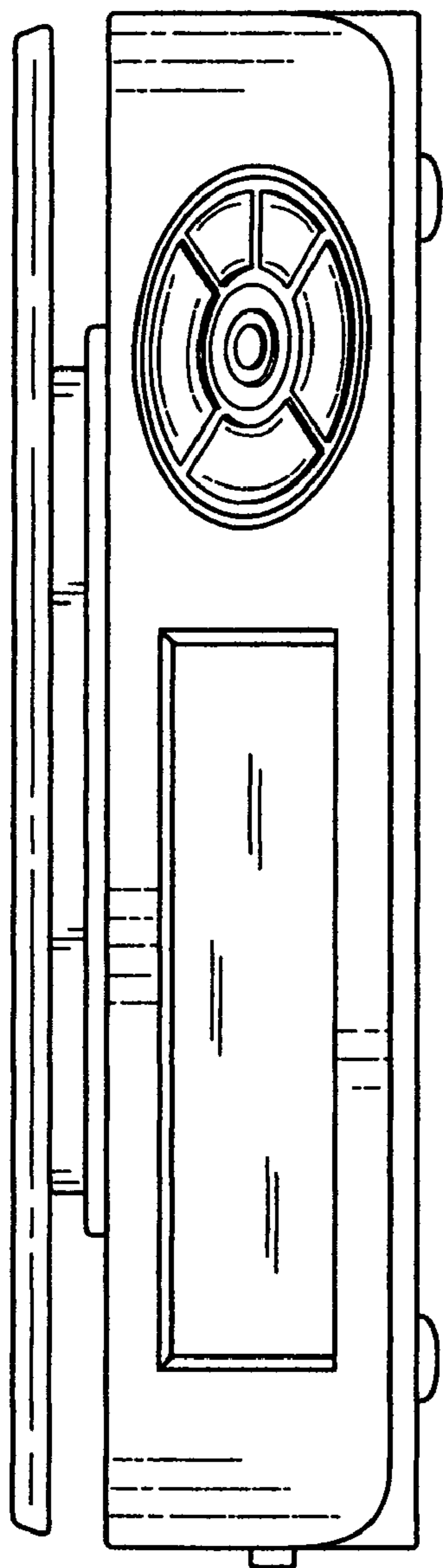


FIG. 6

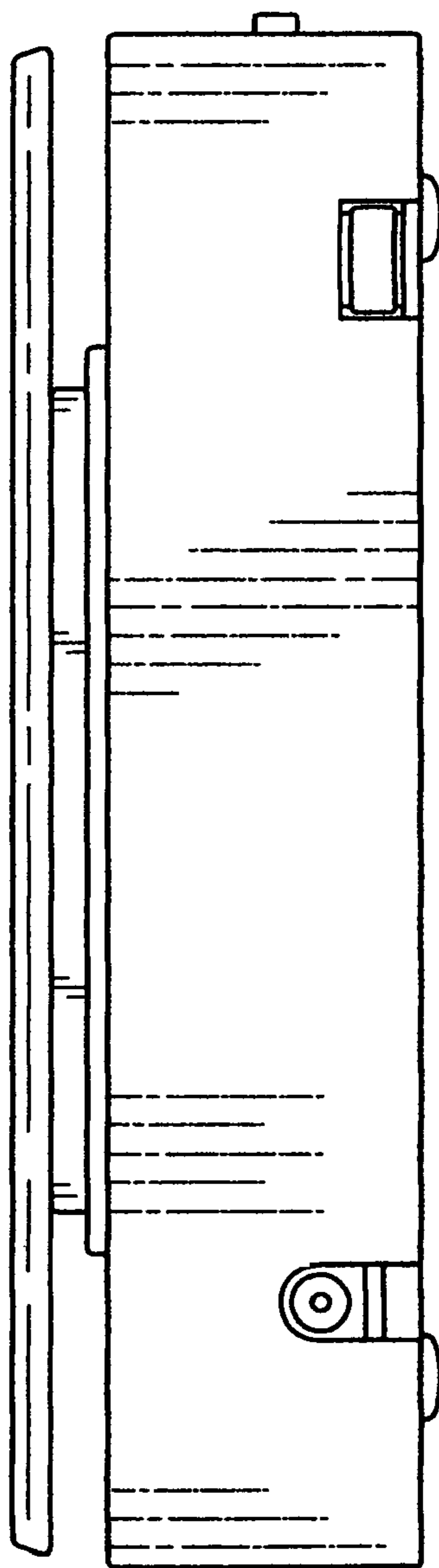


FIG. 7

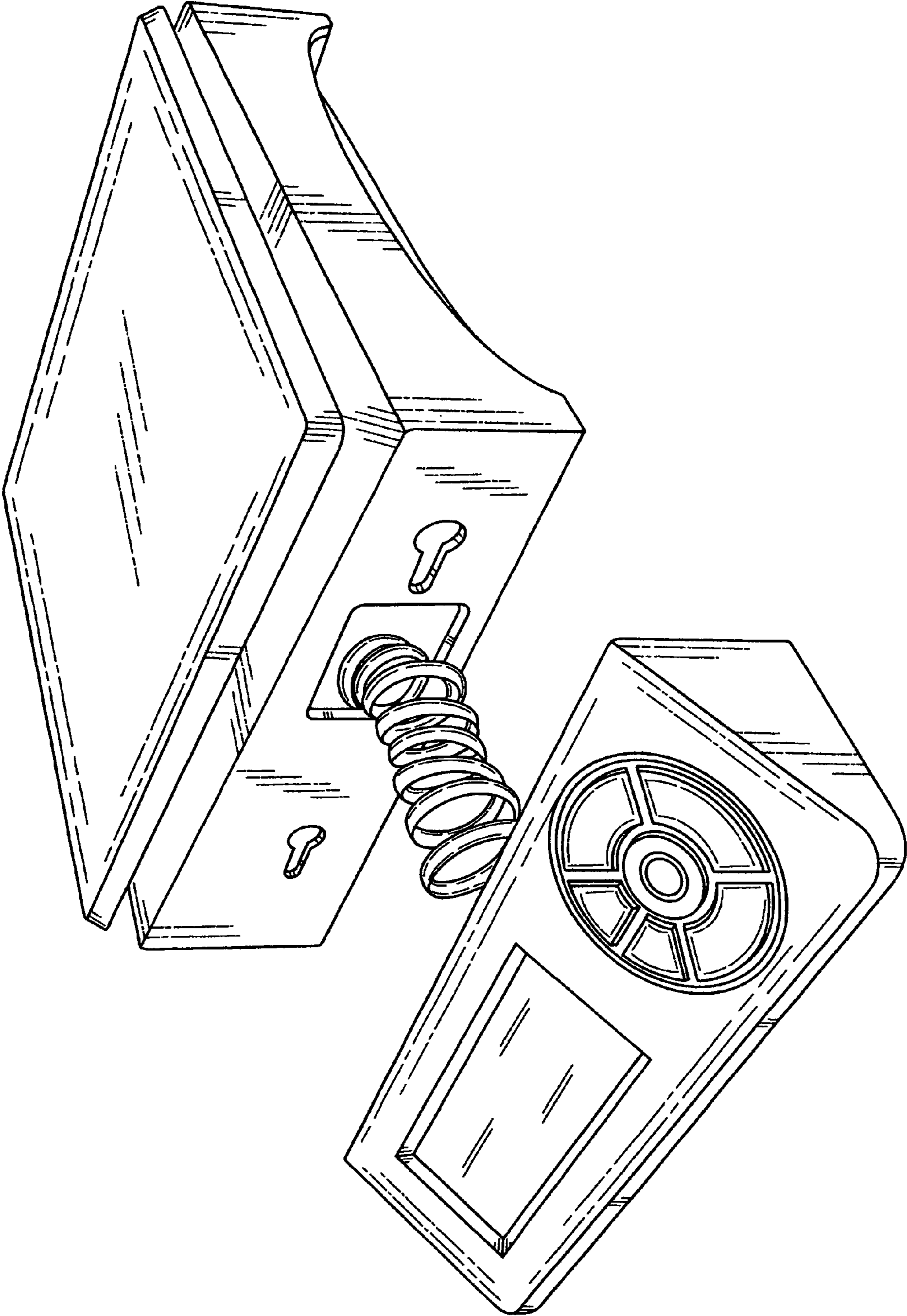


FIG. 8

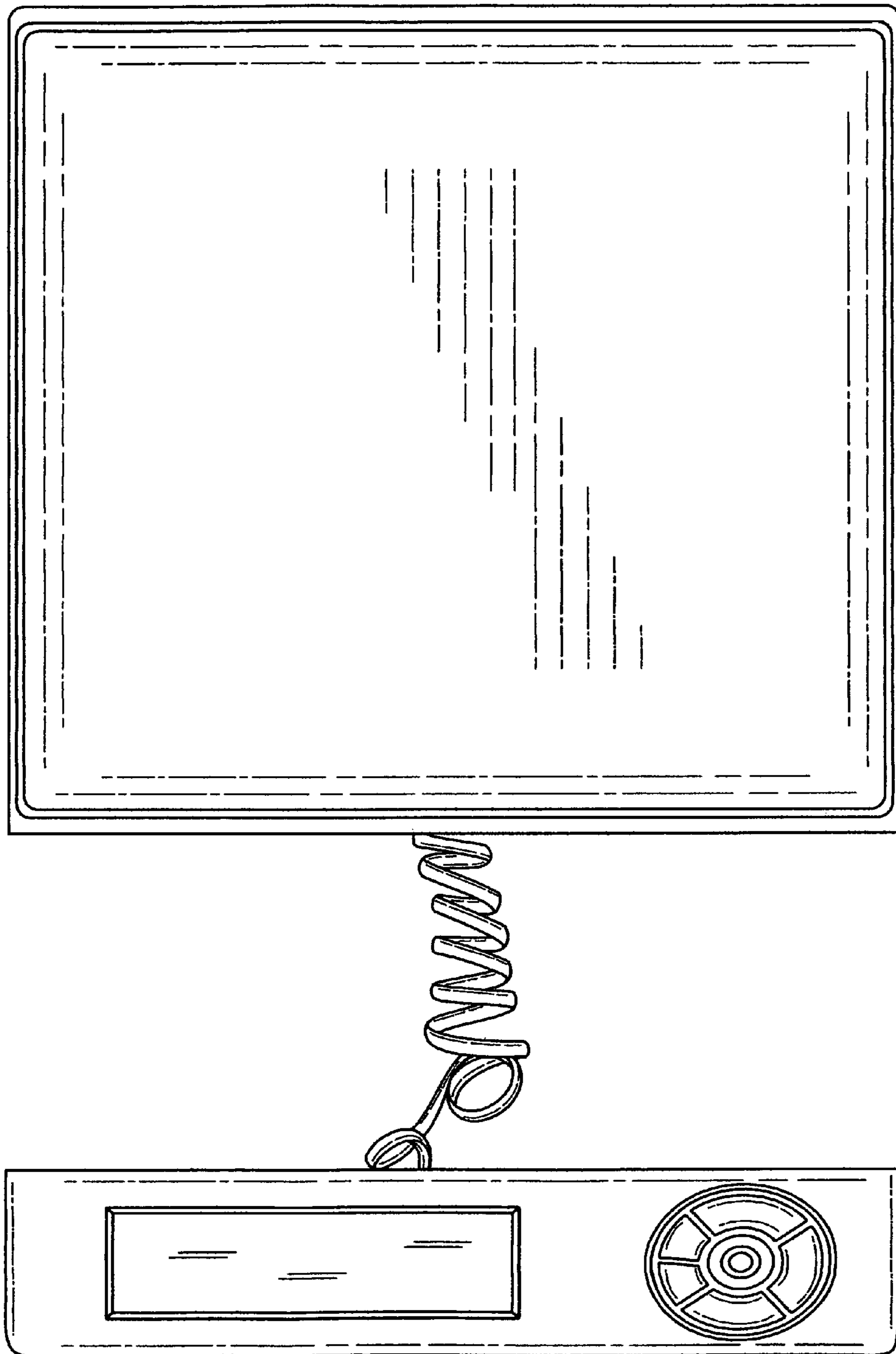


FIG. 9