

US00D596516S

(12) **United States Design Patent**  
**Enderle et al.**

(10) **Patent No.:** **US D596,516 S**  
(45) **Date of Patent:** **\*\* Jul. 21, 2009**

(54) **PROBE CHANGE MAGAZINE**

EP 0 221 266 5/1987

(75) Inventors: **Eckhard Enderle**, Aalen (DE);  
**Stefan-André Binder**, Oberkochen  
(DE); **Tobias Woletz**, Essingen (DE)

\* cited by examiner

*Primary Examiner*—Antoine D Davis  
(74) *Attorney, Agent, or Firm*—Harness, Dickey & Pierce,  
P.L.C.

(73) Assignee: **Carl Zeiss Industrielle Messtechnik  
GmbH**, Oberkochen (DE)

(57) **CLAIM**

(\*\*) Term: **14 Years**

The ornamental design for a probe change magazine, as  
shown and described.

(21) Appl. No.: **29/296,931**

(22) Filed: **Oct. 31, 2007**

**DESCRIPTION**

(30) **Foreign Application Priority Data**

May 2, 2007 (EM) ..... 000716436

(51) **LOC (9) Cl.** ..... **10-04**

(52) **U.S. Cl.** ..... **D10/74**

(58) **Field of Classification Search** ..... D10/61,  
D10/63, 74; 33/561; 279/128; 335/295;  
483/69

See application file for complete search history.

FIG. 1 is a rear perspective view in an opened position of a  
probe change magazine embodying our new design;

FIG. 2 is a front view of the device in an opened position  
thereof;

FIG. 3 is a front view of the device in a closed position  
thereof;

FIG. 4 is a rear view of the device as seen from the left hand  
side in a closed position thereof;

FIG. 5 is a rear view of the device as seen from the right hand  
side in a closed position thereof;

FIG. 6 is a side elevational view of the device in an opened  
position thereof; and,

FIG. 7 is a side elevational view of the device in a closed  
position.

(56) **References Cited**

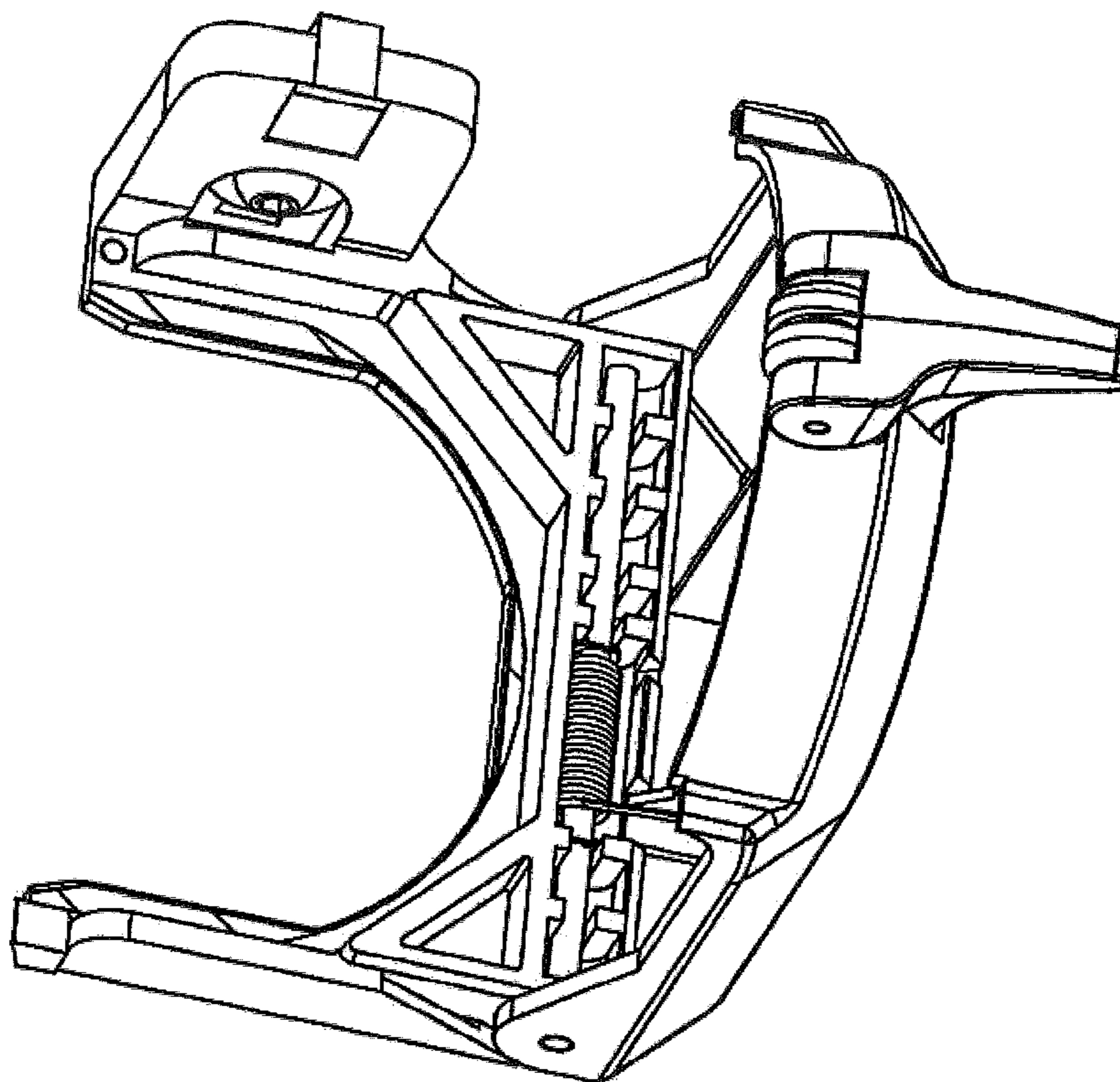
**U.S. PATENT DOCUMENTS**

4,649,623 A 3/1987 Schneider et al.  
2008/0182738 A1\* 7/2008 Grunke et al. .... 483/69

**FOREIGN PATENT DOCUMENTS**

DE 90 10 591.5 12/1990

**1 Claim, 7 Drawing Sheets**



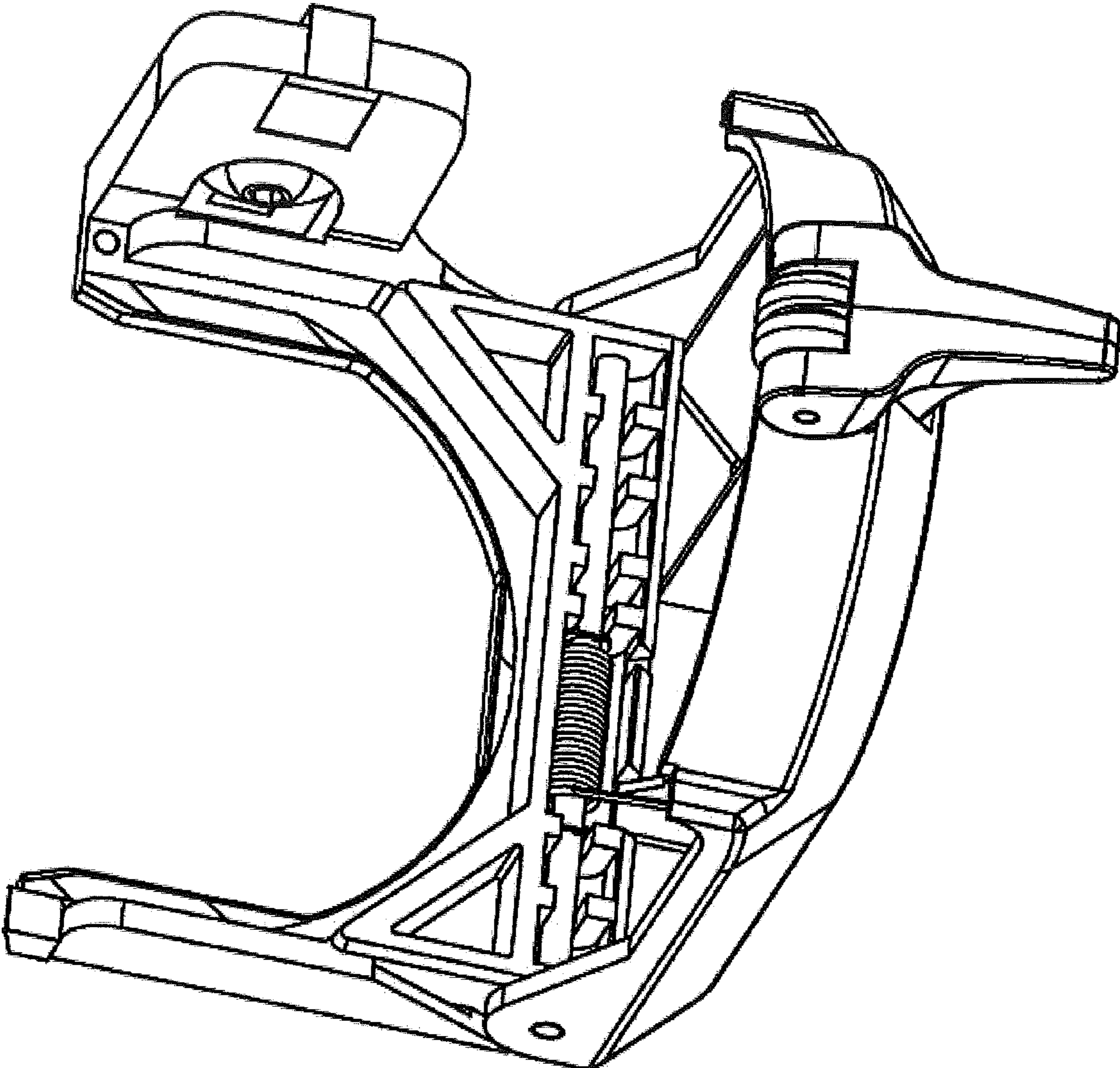
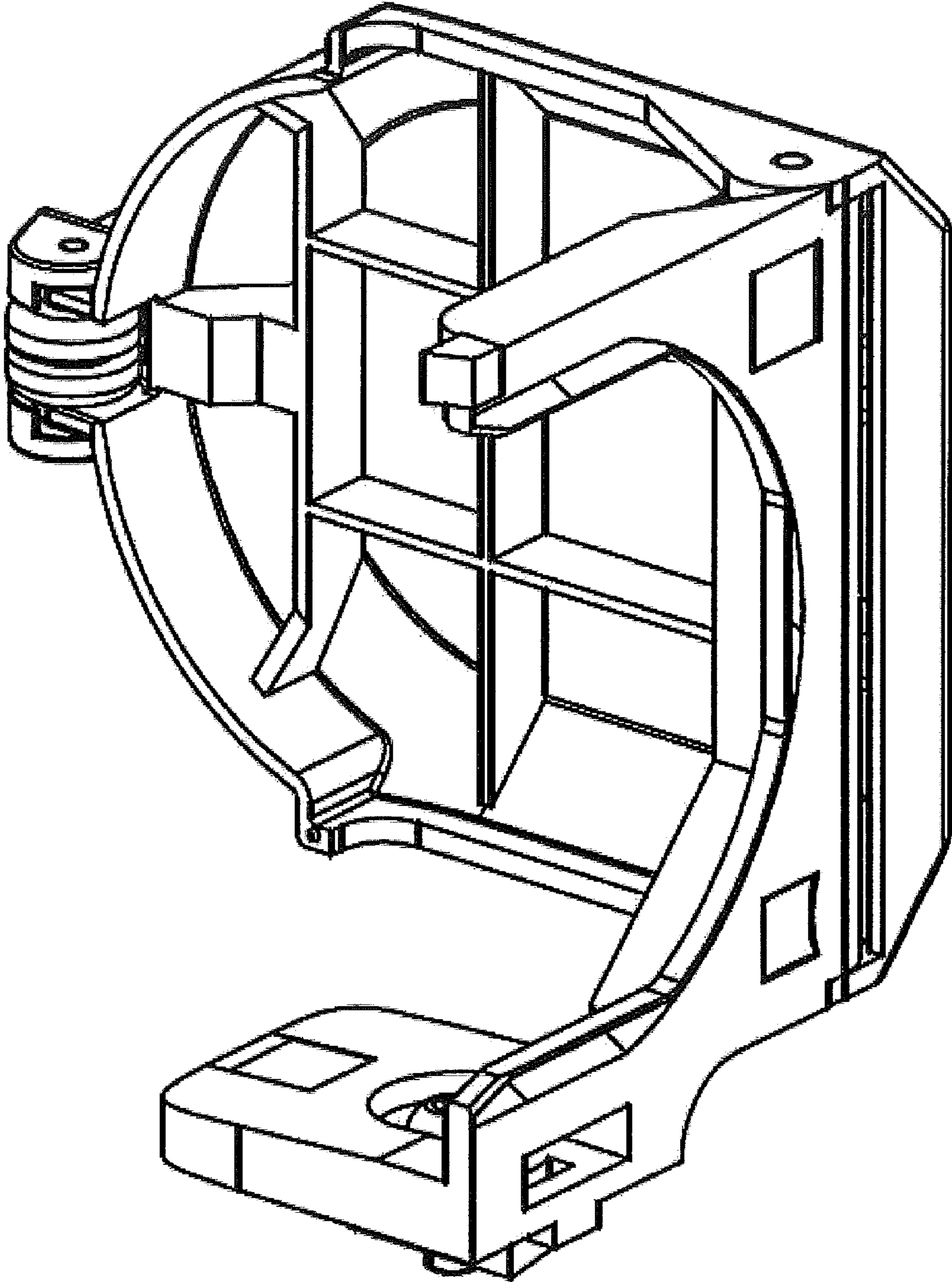
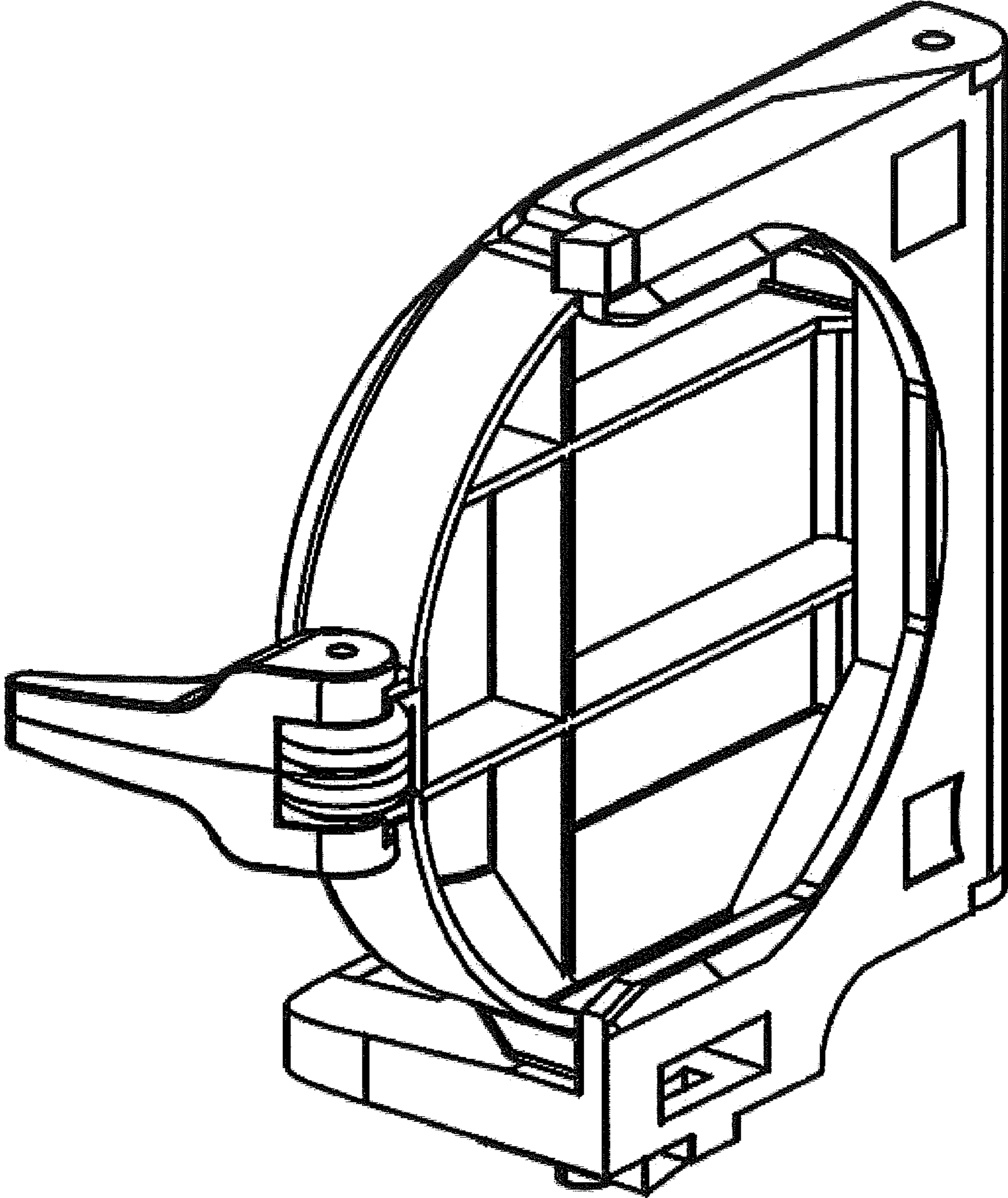


FIGURE 1



**FIGURE 2**



**FIGURE 3**

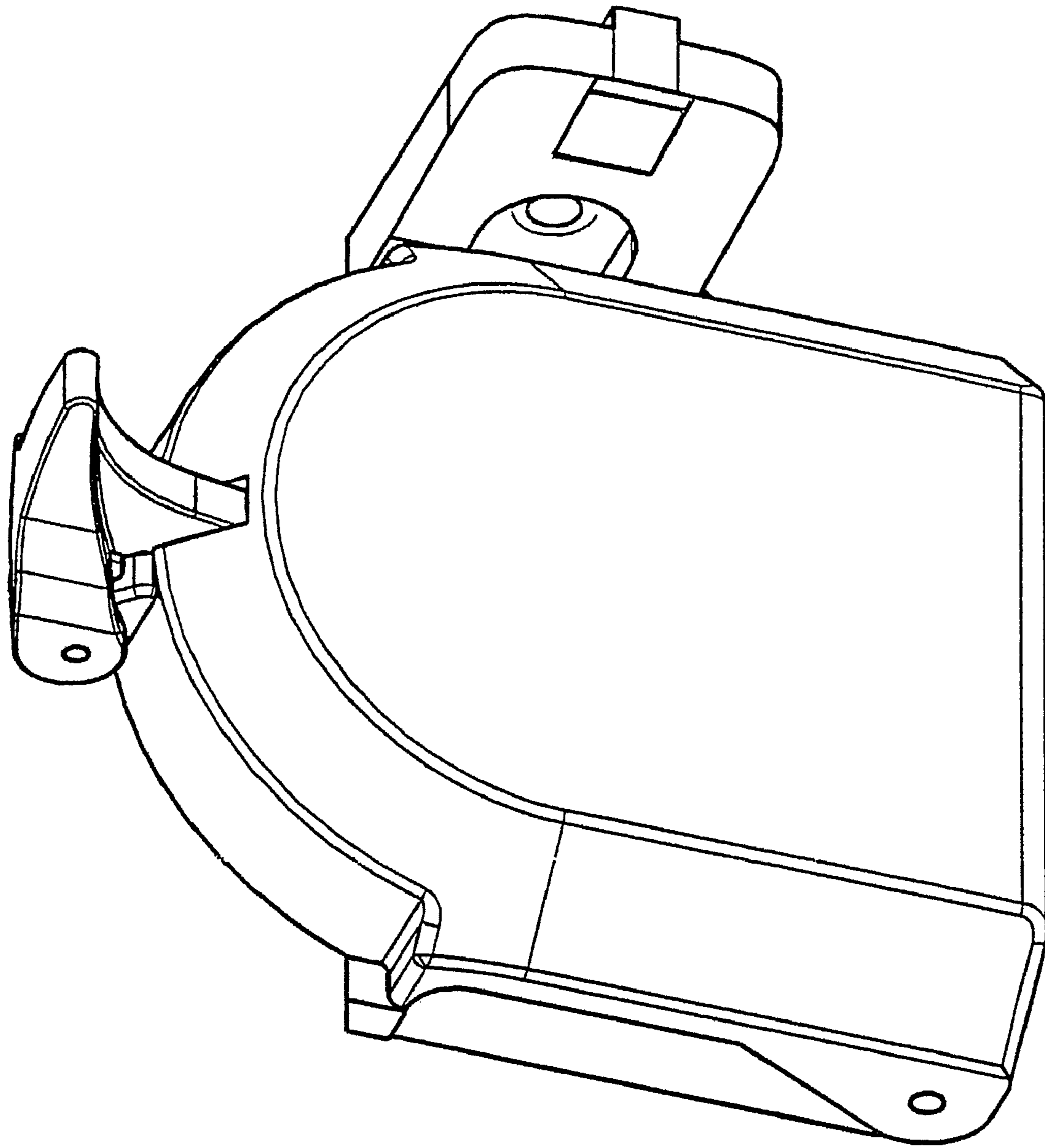
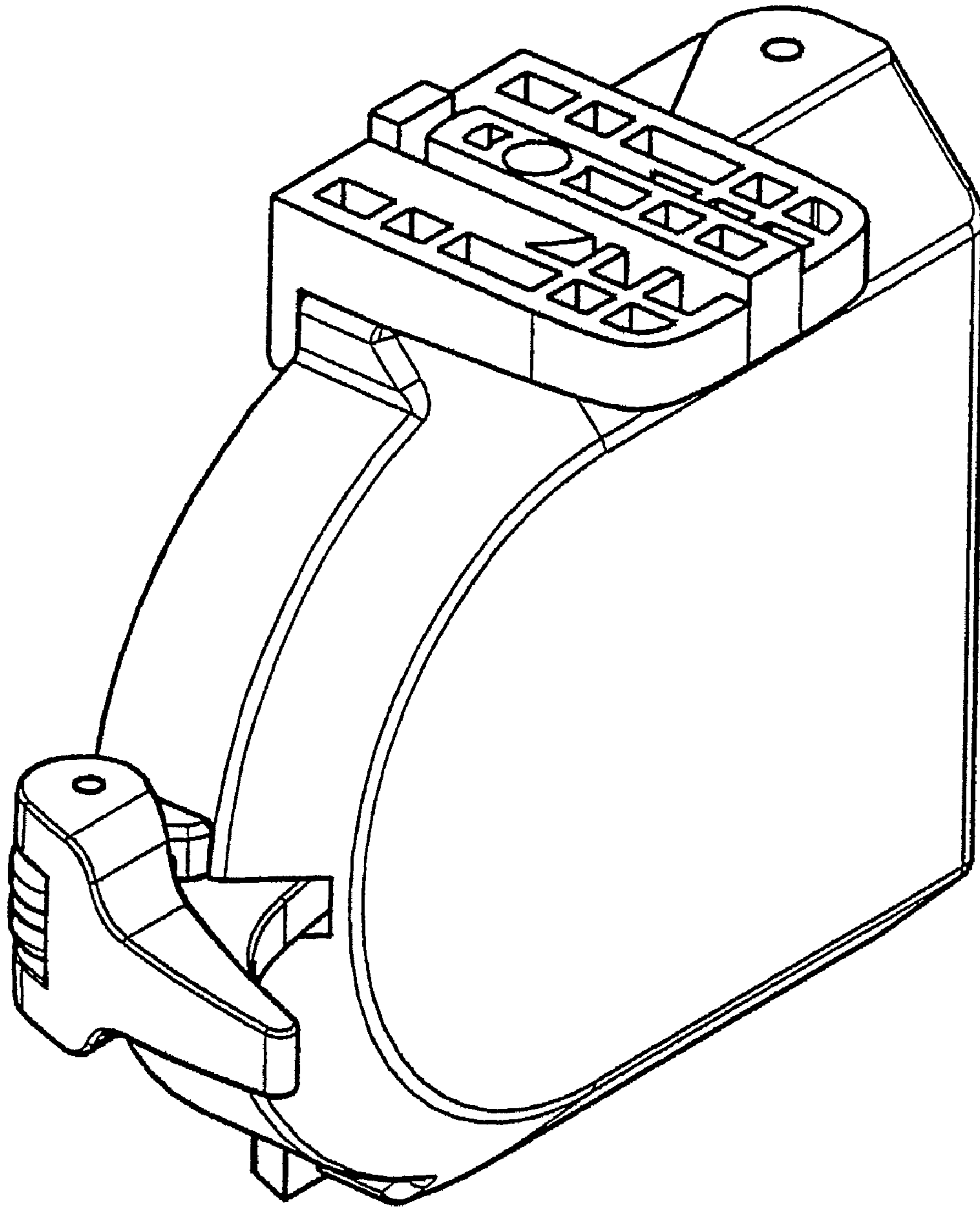
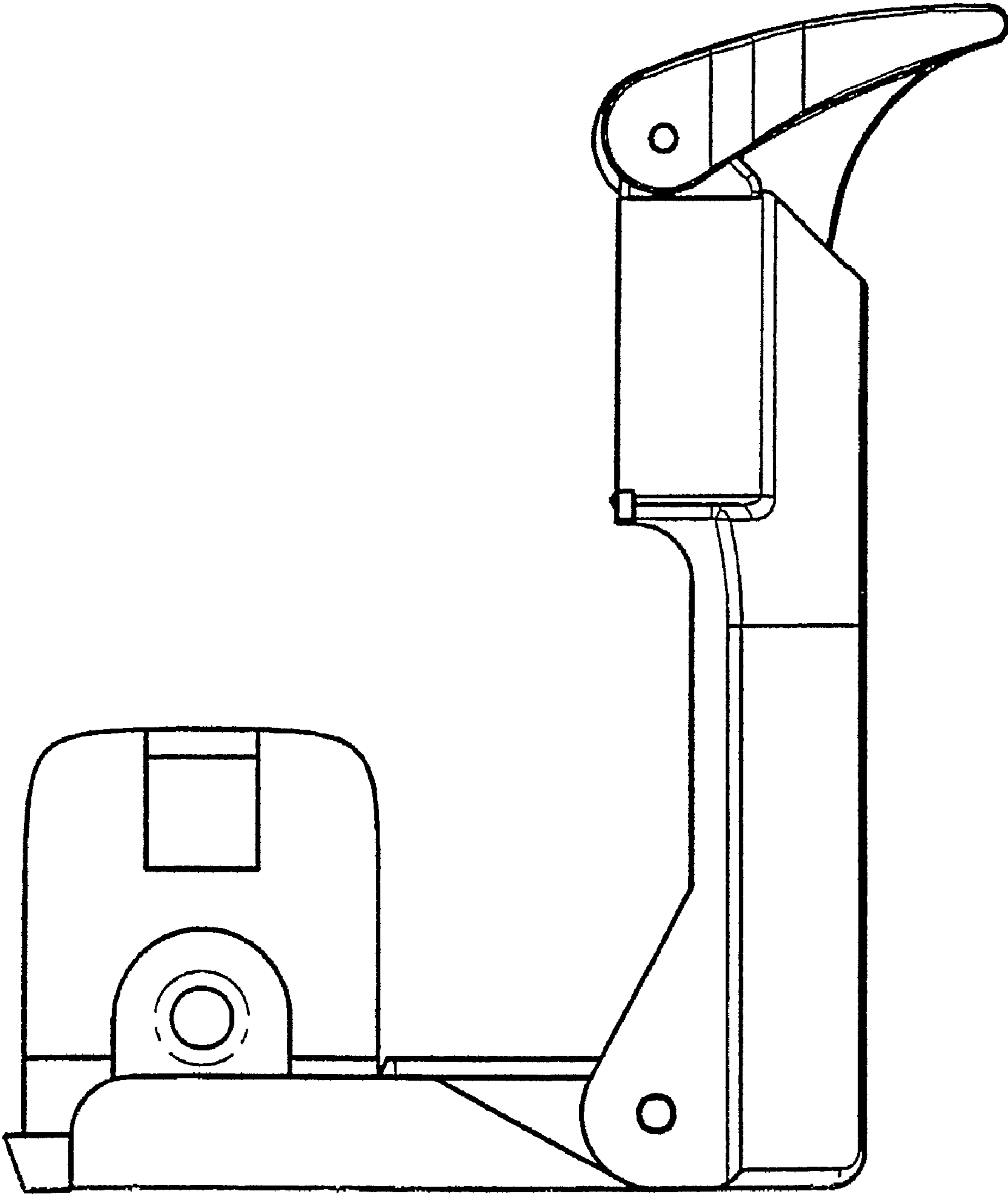


FIGURE 4



**FIGURE 5**



**FIGURE 6**

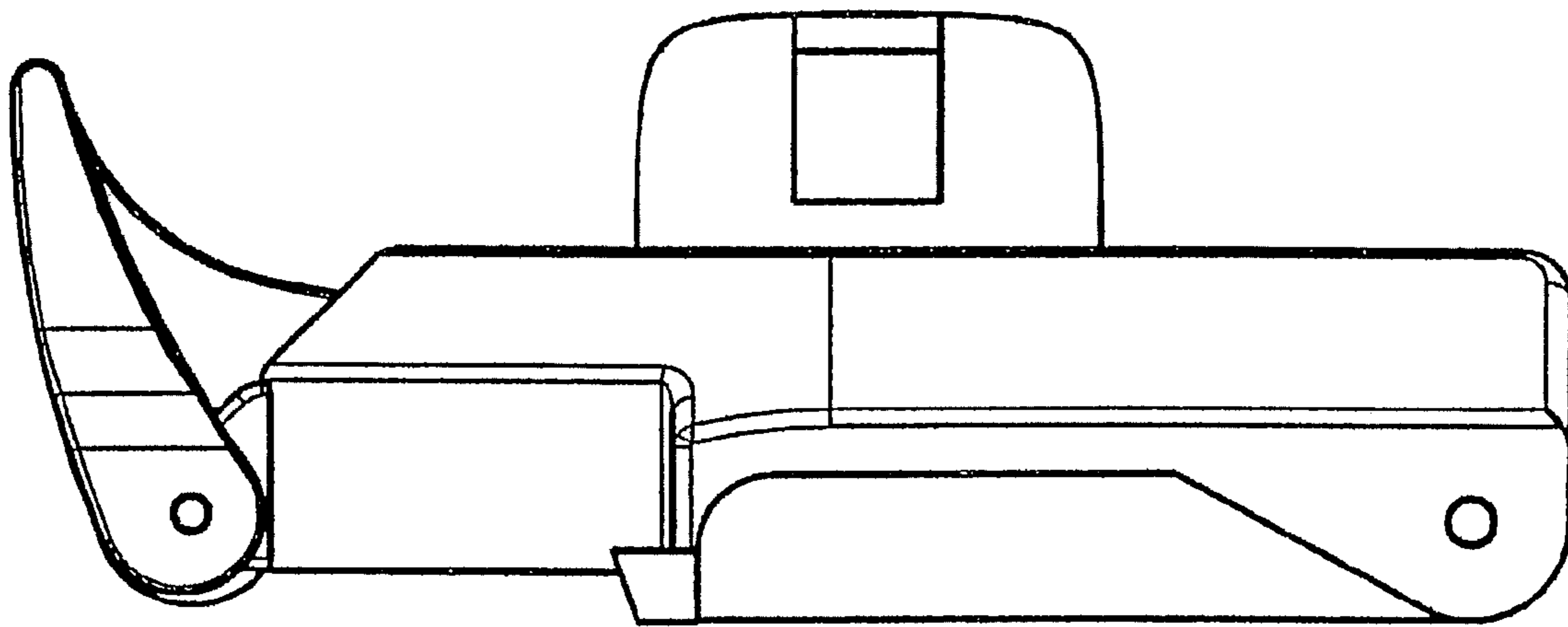


FIGURE 7