



US00D596515S

(12) **United States Design Patent**  
**Nakamura et al.**

(10) **Patent No.:** **US D596,515 S**  
(45) **Date of Patent:** **\*\* Jul. 21, 2009**

(54) **ELECTRONIC LEVEL INSTRUMENT**

D386,993 S \* 12/1997 Fujii et al. .... D18/66

(75) Inventors: **Satoshi Nakamura**, Ashigarakami-gun (JP); **Satoru Kinoshita**, Mishima (JP); **Katsuhiko Iida**, Atsugi (JP); **Takashi Shishido**, Hadano (JP); **Junya Nakano**, Ashigarakami-gun (JP); **Hiroyuki Nakabe**, Sagamihara (JP)

\* cited by examiner

*Primary Examiner*—Antoine D Davis  
(74) *Attorney, Agent, or Firm*—Banner & Witcoff, Ltd.

(73) Assignee: **Sokkia Topcon Co., Ltd.**, Atsugi-shi (JP)

(57) **CLAIM**

The ornamental design for an electronic level instrument, as shown and described.

(\*\*) Term: **14 Years**

**DESCRIPTION**

(21) Appl. No.: **29/331,886**

FIG. 1 is a front, top and right side perspective view of an electronic level instrument, showing our new design;

(22) Filed: **Feb. 4, 2009**

FIG. 2 is a front, top and left side perspective view thereof;

(30) **Foreign Application Priority Data**

Aug. 6, 2008 (JP) ..... 2008-020382

FIG. 3 is a rear, top and left side perspective view thereof;

(51) **LOC (9) Cl.** ..... **10-04**

FIG. 4 is a front, bottom and left side perspective view thereof;

(52) **U.S. Cl.** ..... **D10/69; D10/66**

FIG. 5 is a front elevational view thereof;

(58) **Field of Classification Search** ..... D10/66,  
D10/69; 33/365, 366.11–366.27, 367–391

FIG. 6 is a rear elevational view thereof;

See application file for complete search history.

FIG. 7 is a top plan view thereof;

(56) **References Cited**

FIG. 8 is a bottom plan view thereof;

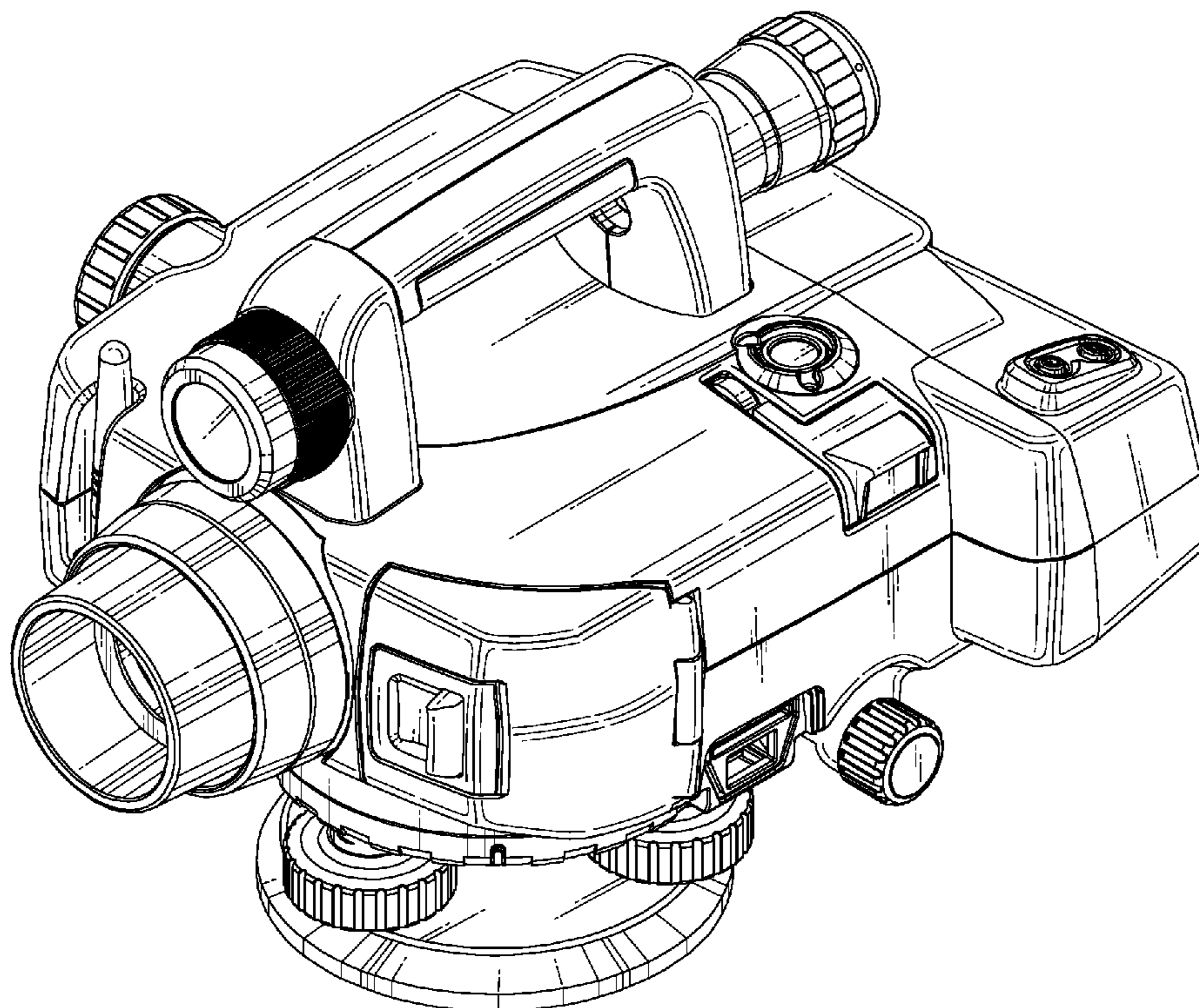
**U.S. PATENT DOCUMENTS**

FIG. 9 is a right side elevational view thereof; and,

D333,276 S \* 2/1993 Donn ..... D10/66

FIG. 10 is a left side elevational view thereof.

**1 Claim, 10 Drawing Sheets**



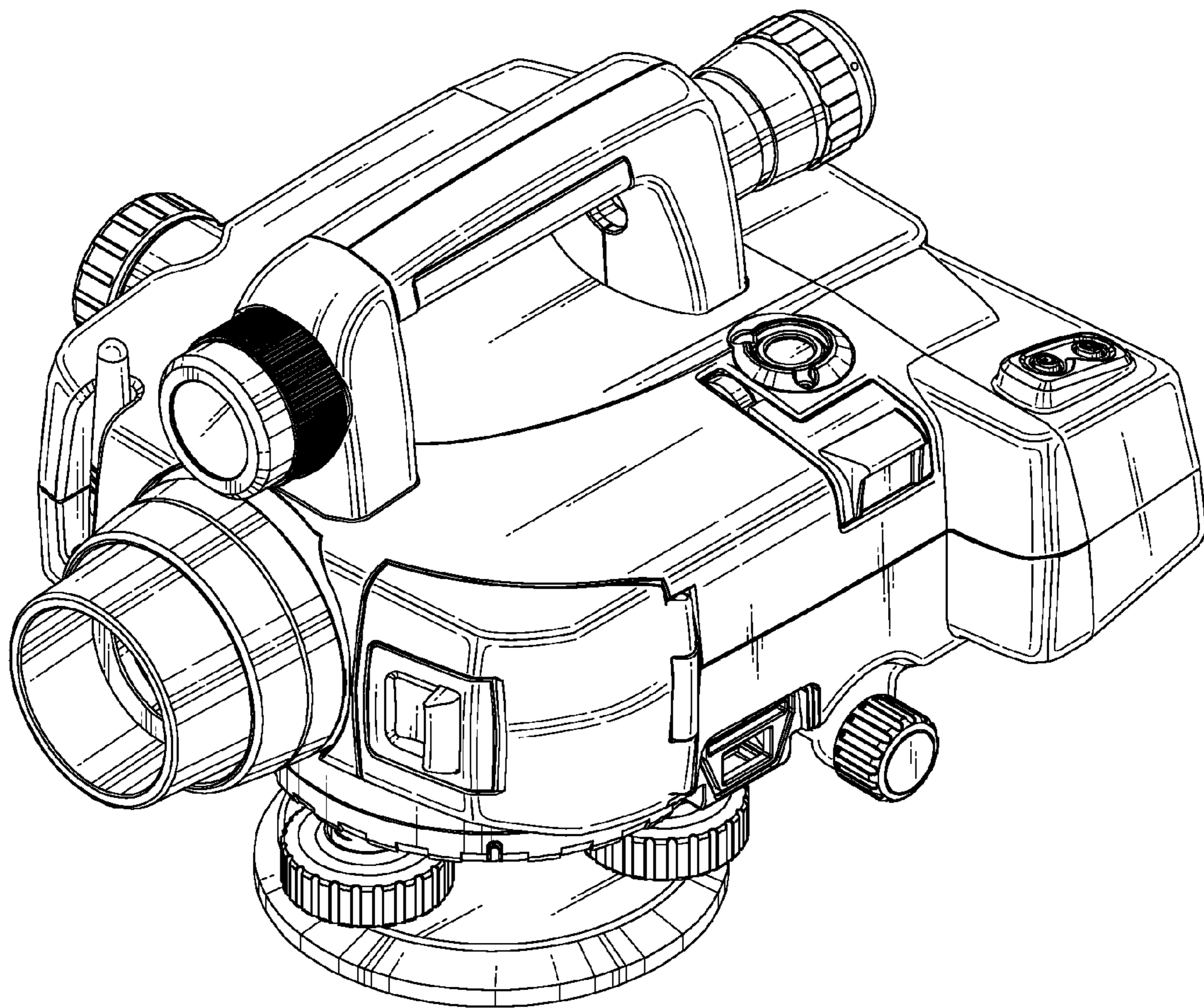


FIG.1



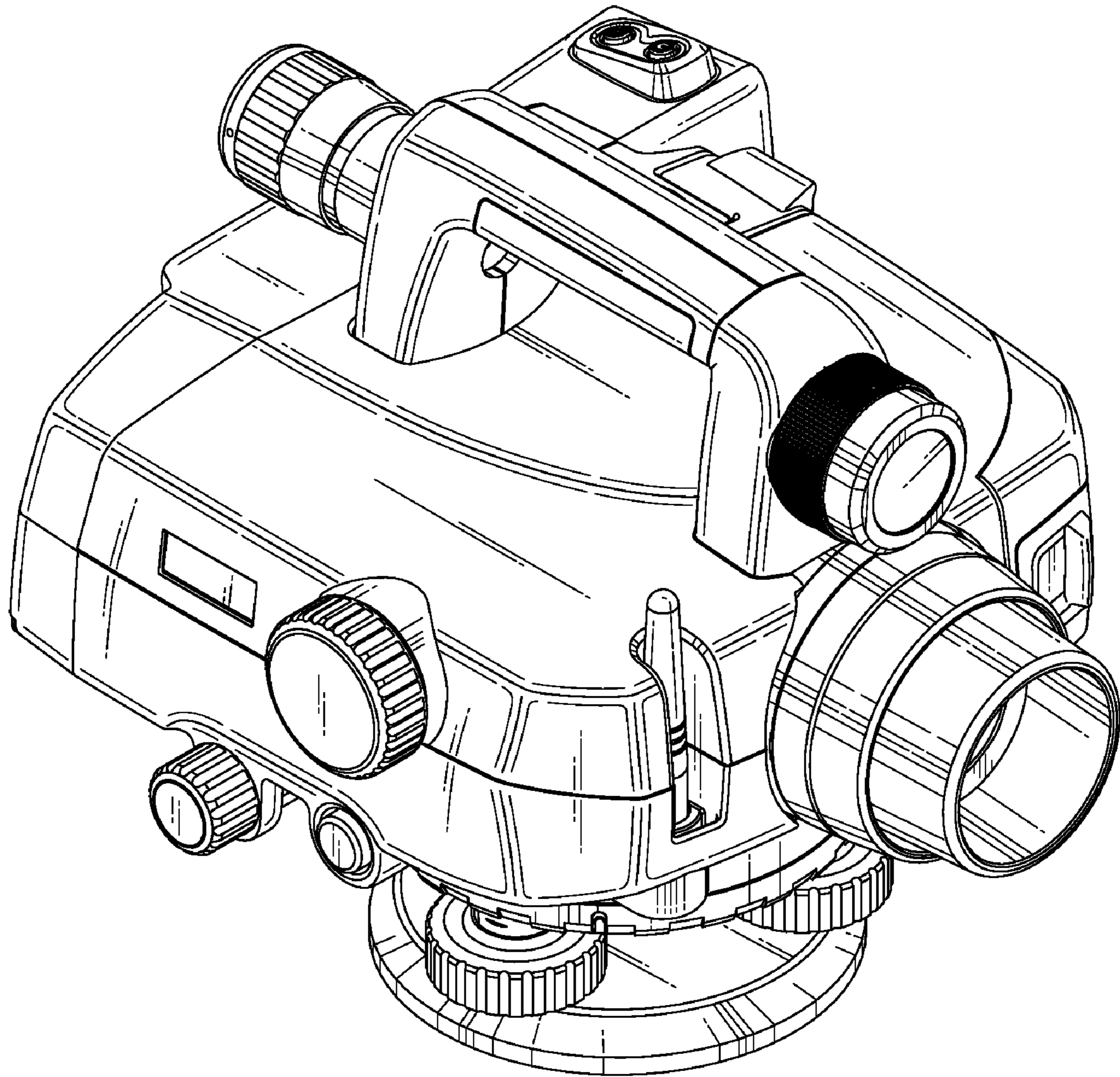


FIG.2

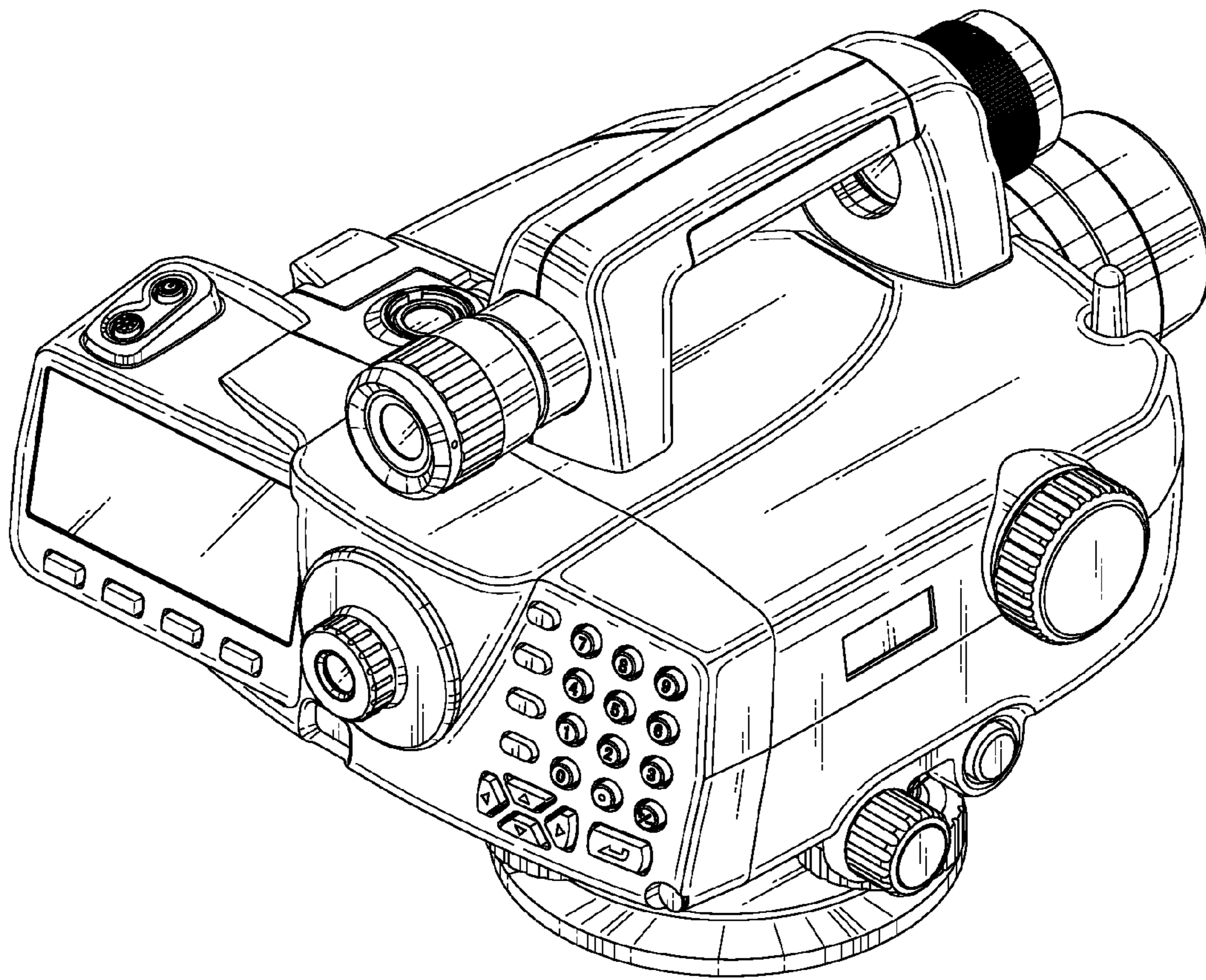


FIG.3

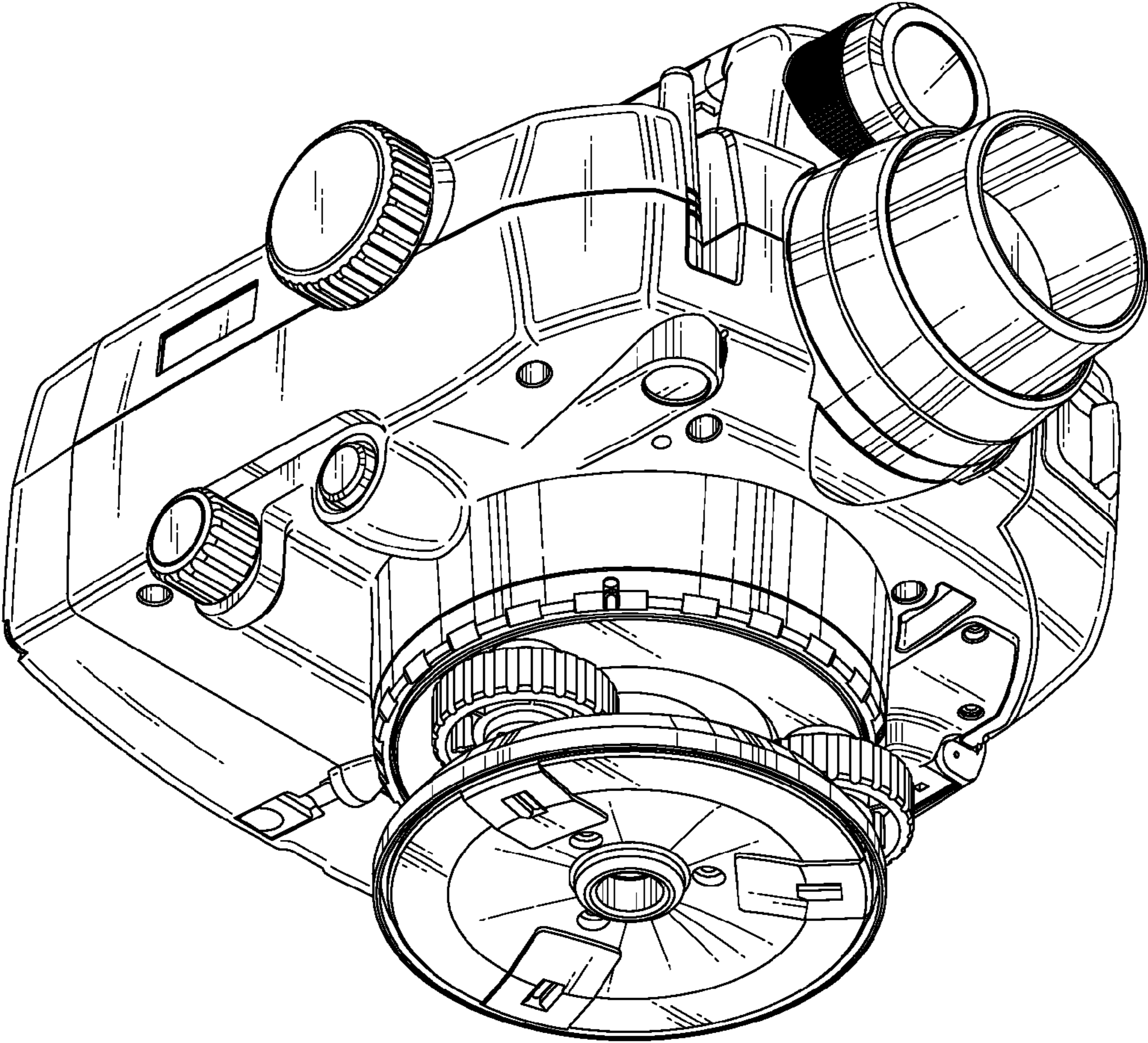


FIG.4



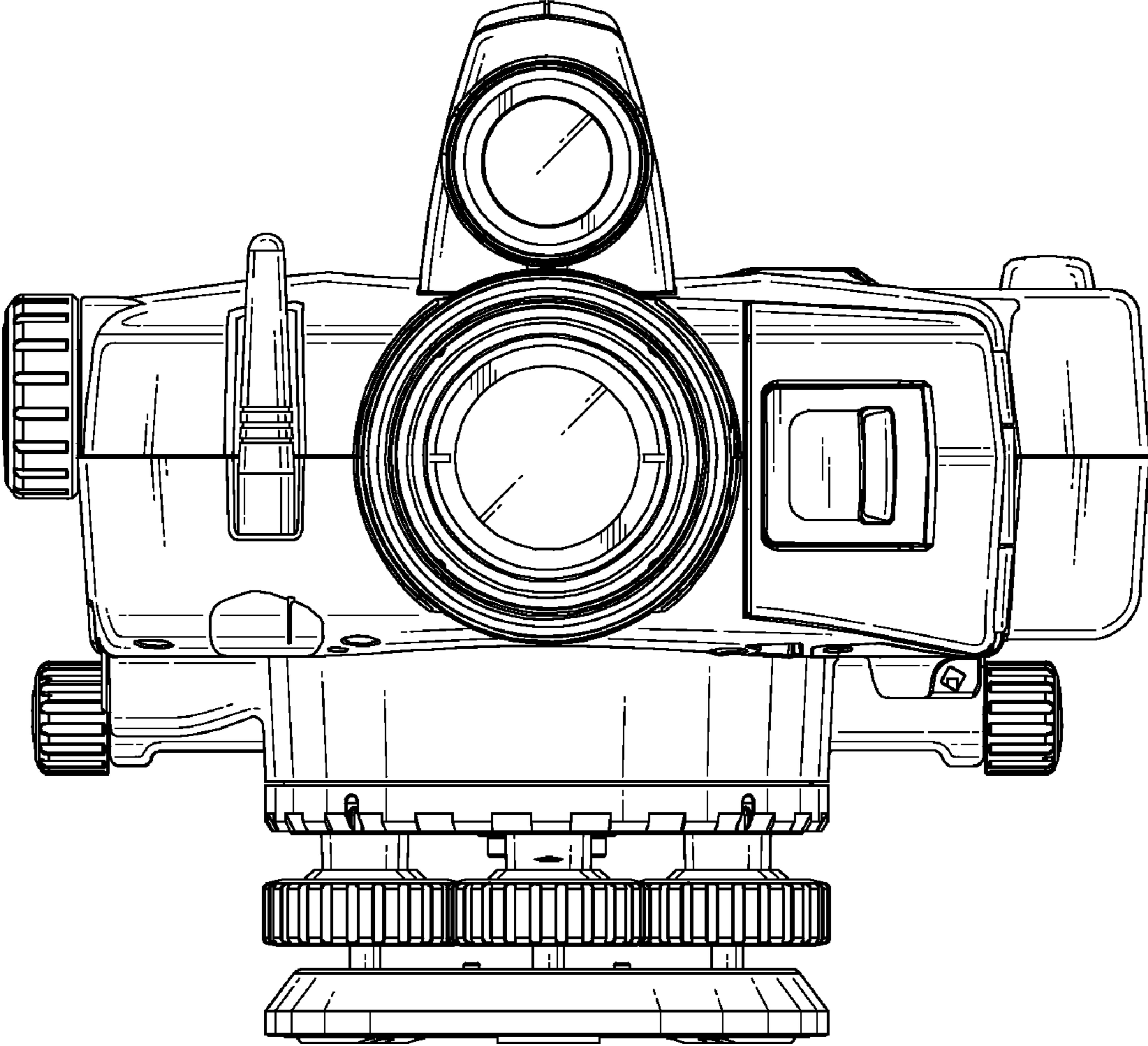


FIG.5

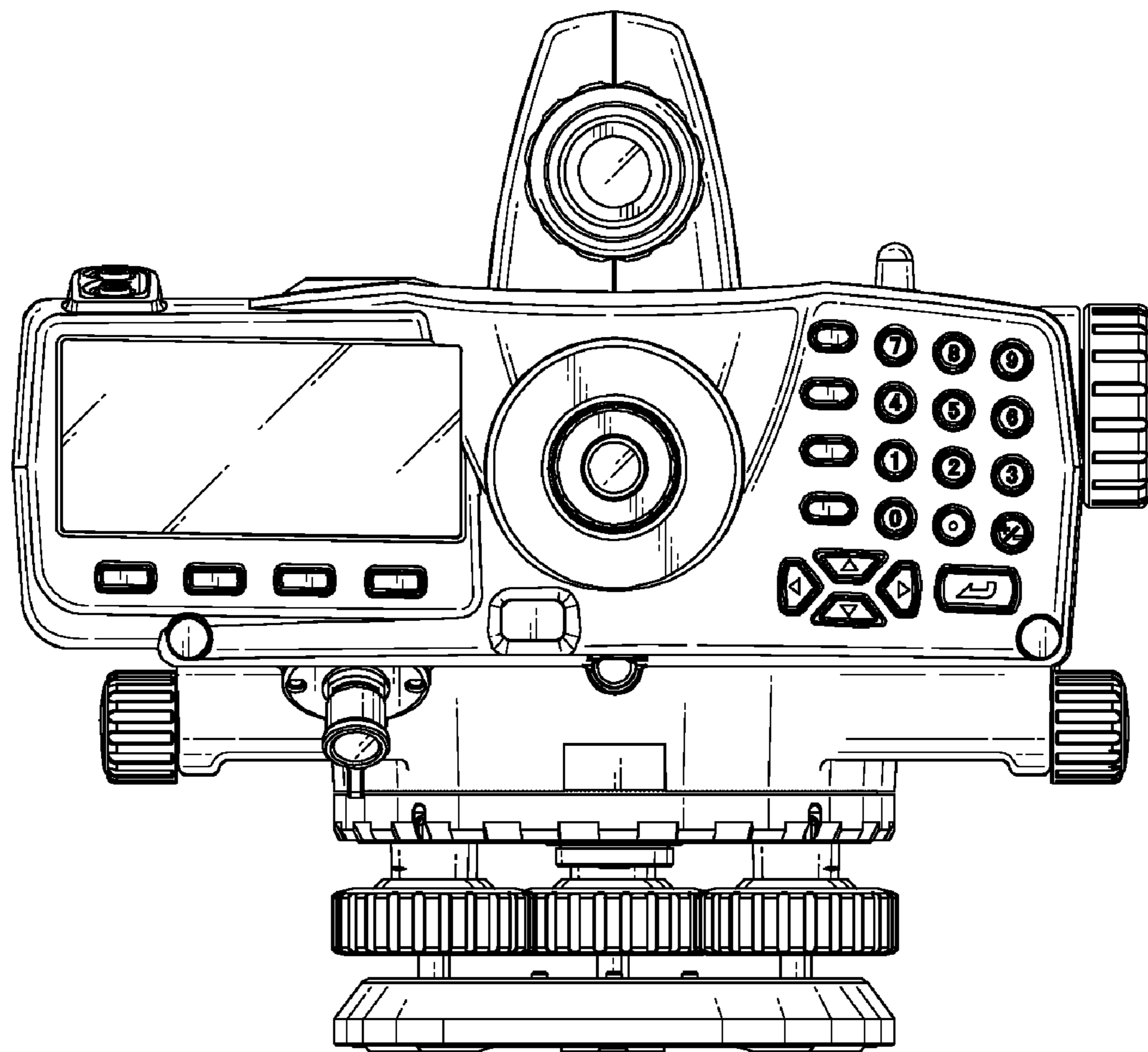


FIG.6

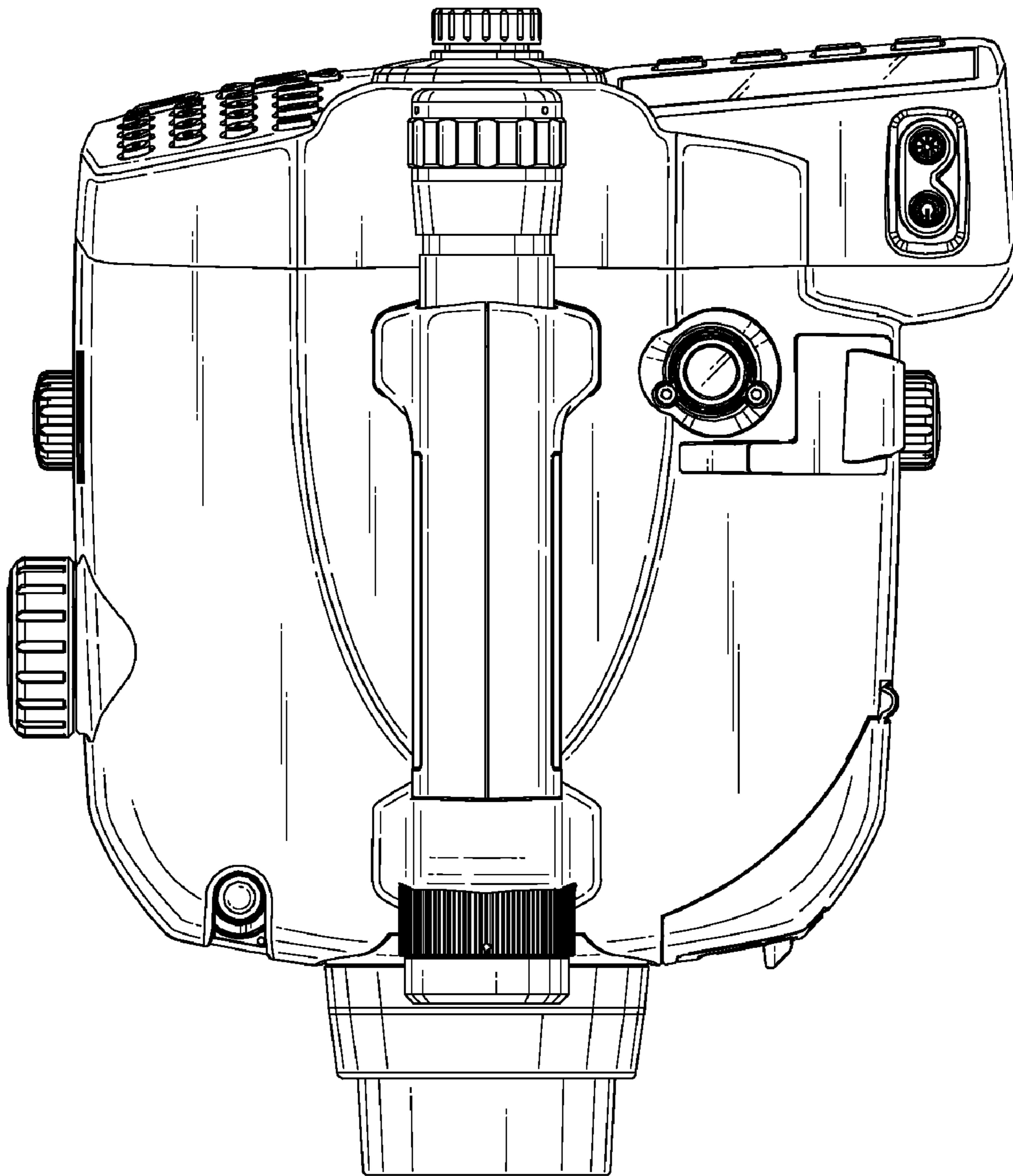


FIG. 7



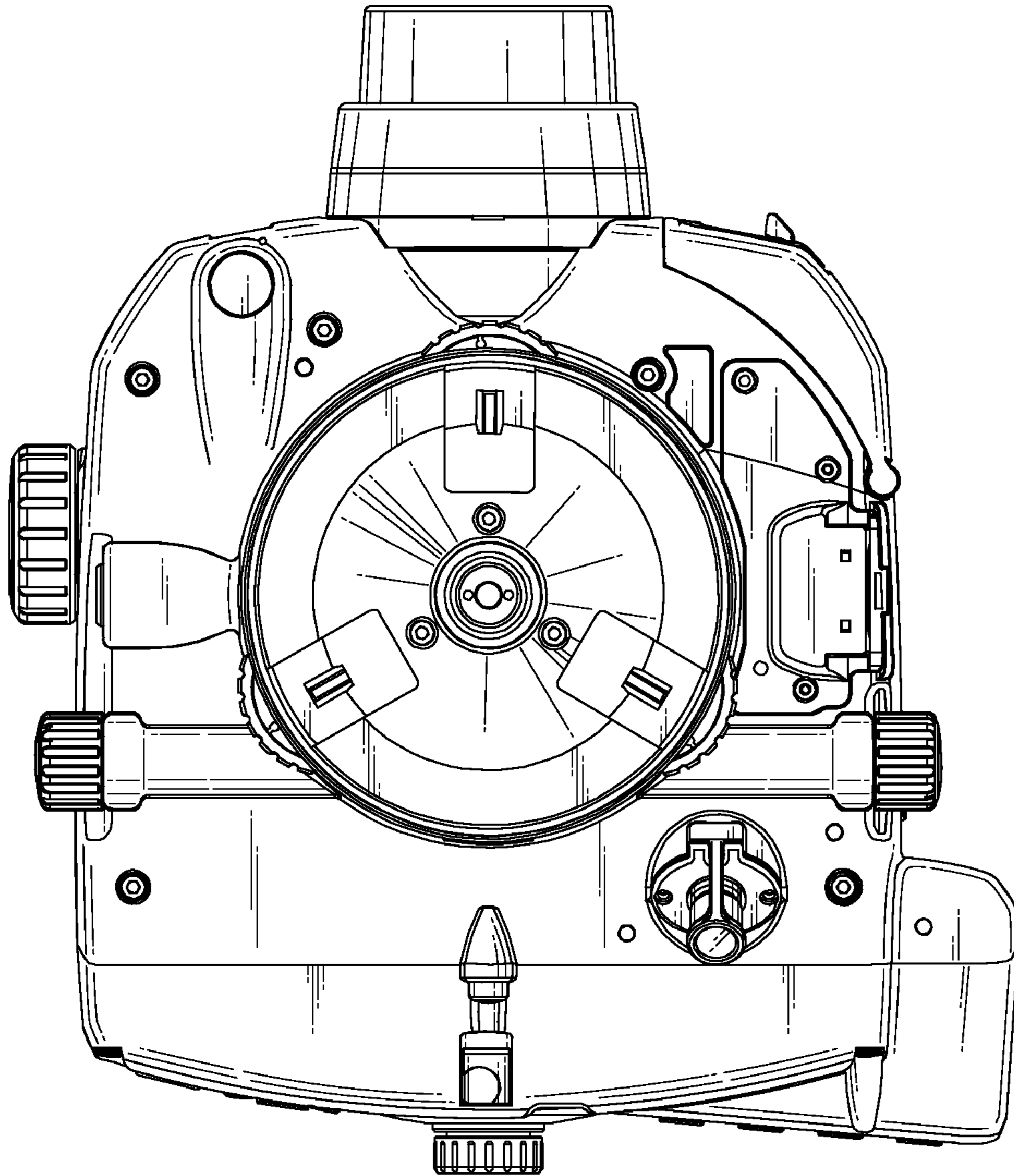


FIG. 8

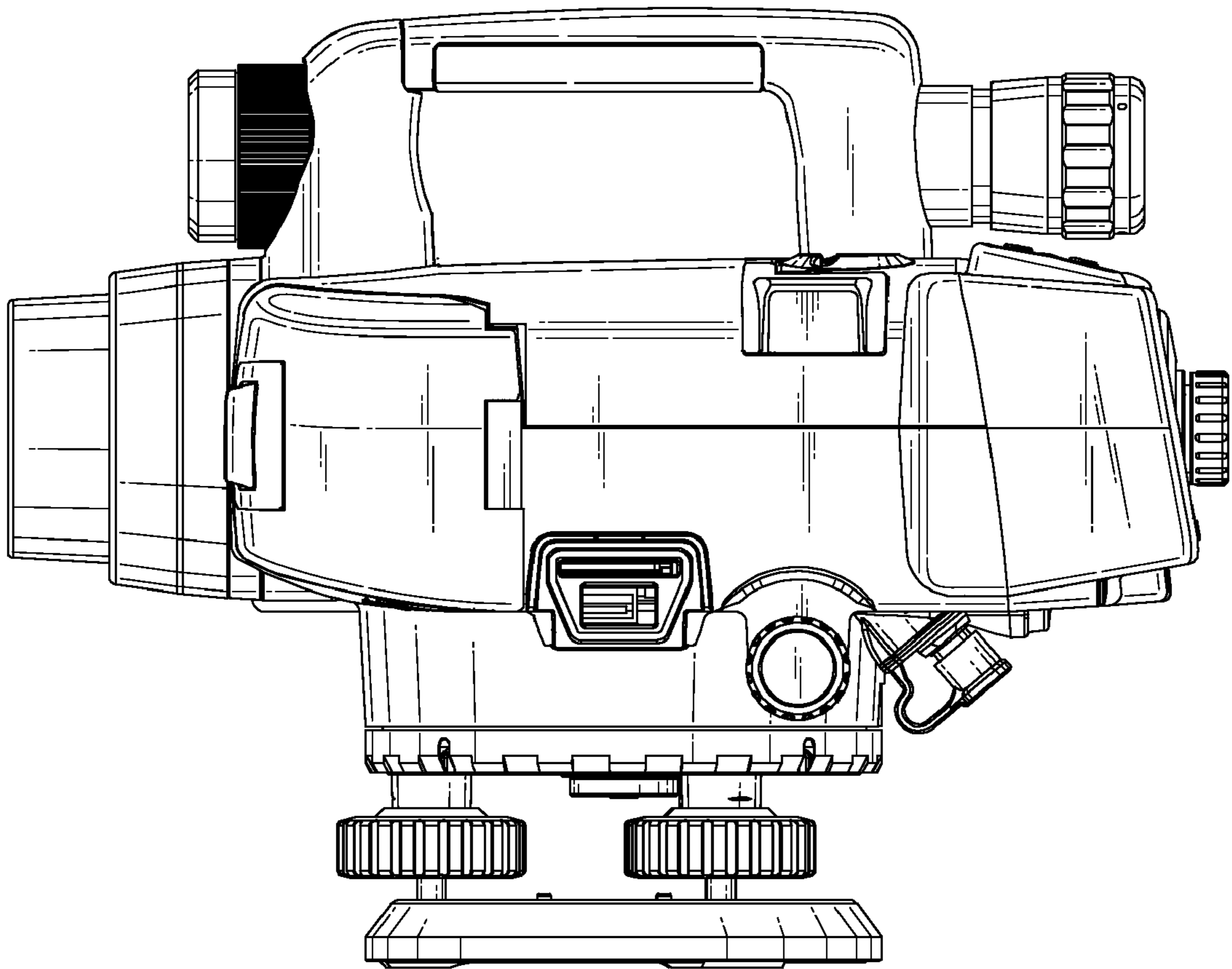


FIG.9

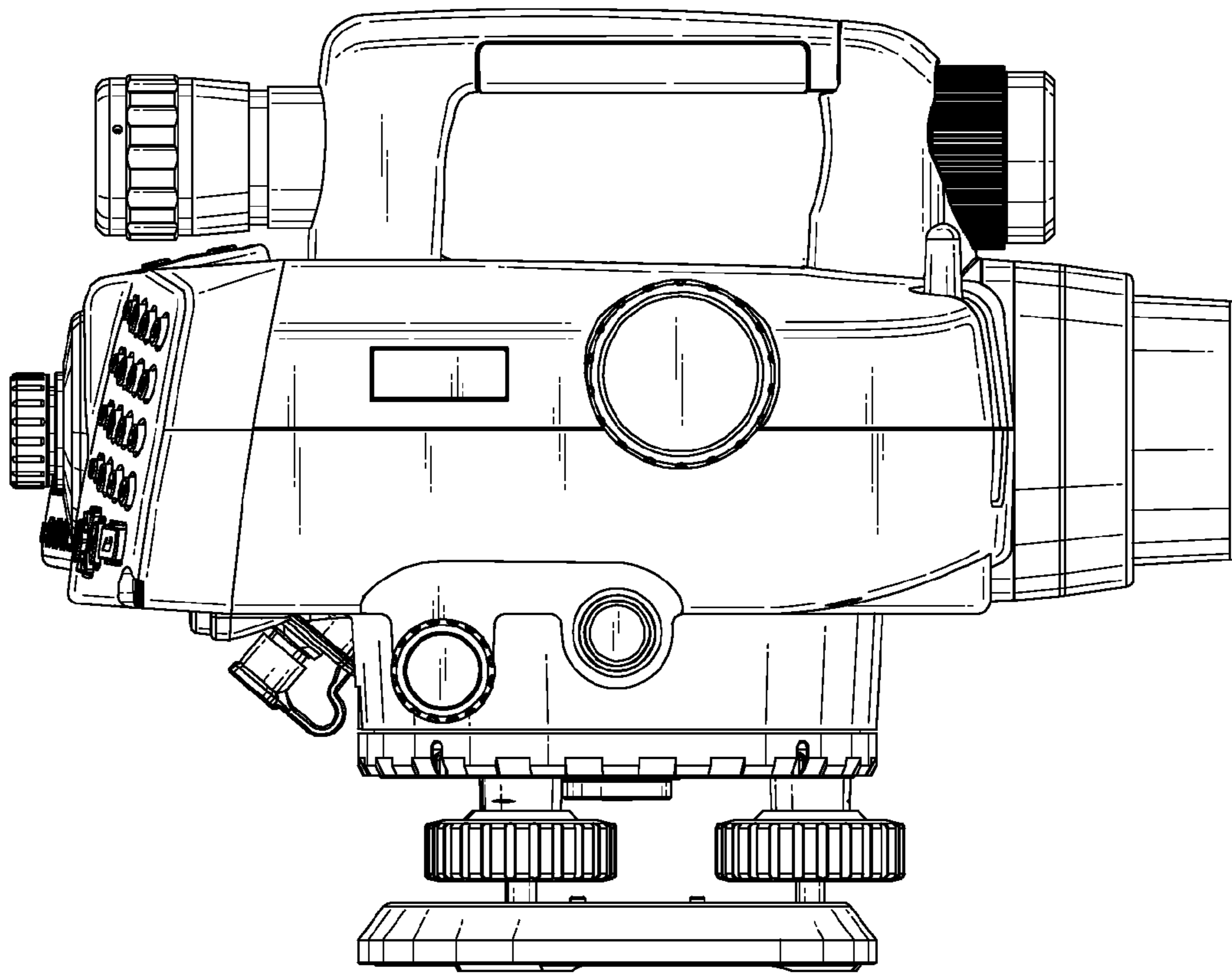


FIG.10