

US00D596512S

(12) **United States Design Patent**
Wilbur

(10) **Patent No.:** **US D596,512 S**
(45) **Date of Patent:** **** Jul. 21, 2009**

(54) **AG ROLLER CHAIN WEAR GAUGE**

(75) Inventor: **John Richard Wilbur**, Bettendorf, IA (US)

(73) Assignee: **Drives, LLC**, Fulton, IL (US)

(**) Term: **14 Years**

(21) Appl. No.: **29/327,306**

(22) Filed: **Nov. 4, 2008**

(51) **LOC (9) Cl.** **10-04**

(52) **U.S. Cl.** **D10/64**

(58) **Field of Classification Search** D10/64;
33/476, 494, 562-567.1, 679.1, 810

See application file for complete search history.

(56) **References Cited**

U.S. PATENT DOCUMENTS

4,150,488	A	4/1979	Behnke	
4,151,652	A *	5/1979	Palma	33/679.1
4,365,420	A	12/1982	Walden	
4,888,876	A *	12/1989	Meredith et al.	33/555.1
5,199,180	A	4/1993	Yablonsky	
D417,631	S *	12/1999	Erlandson	D10/64
D434,682	S *	12/2000	Erlandson	D10/64
6,178,824	B1	1/2001	Hayakawa et al.	
D569,281	S *	5/2008	Chisholm	D10/64

OTHER PUBLICATIONS

International Searching Authority, Search Report for PCT/US2009/031531, Mar. 11, 2009, United States.

Roller Chain. Wikipedia: The Free Encyclopedia [online]. FL: Wikimedia Foundation, Inc. Jan. 14, 2008 [retrieved on Feb. 23, 2009]. Retrieved from the internet: <URL: http://en.wikipedia.org/w/index.php?title=Roller_chain&diff=184198614&oldid=179605088>; "Wear" section; "Variants in Design" section.

* cited by examiner

Primary Examiner—Antoine D Davis

(74) *Attorney, Agent, or Firm*—Vedder Price, P.C.

(57) **CLAIM**

The ornamental design of the AG roller chain wear gauge, as shown and described.

DESCRIPTION

FIG. 1 is a perspective view of one embodiment of an AG roller chain wear gauge;

FIG. 2 is a front view of the AG roller chain wear gauge of FIG. 1;

FIG. 3 is a back view of the AG roller chain wear gauge of FIG. 1, the back view being a mirror image of the front view shown in FIG. 2;

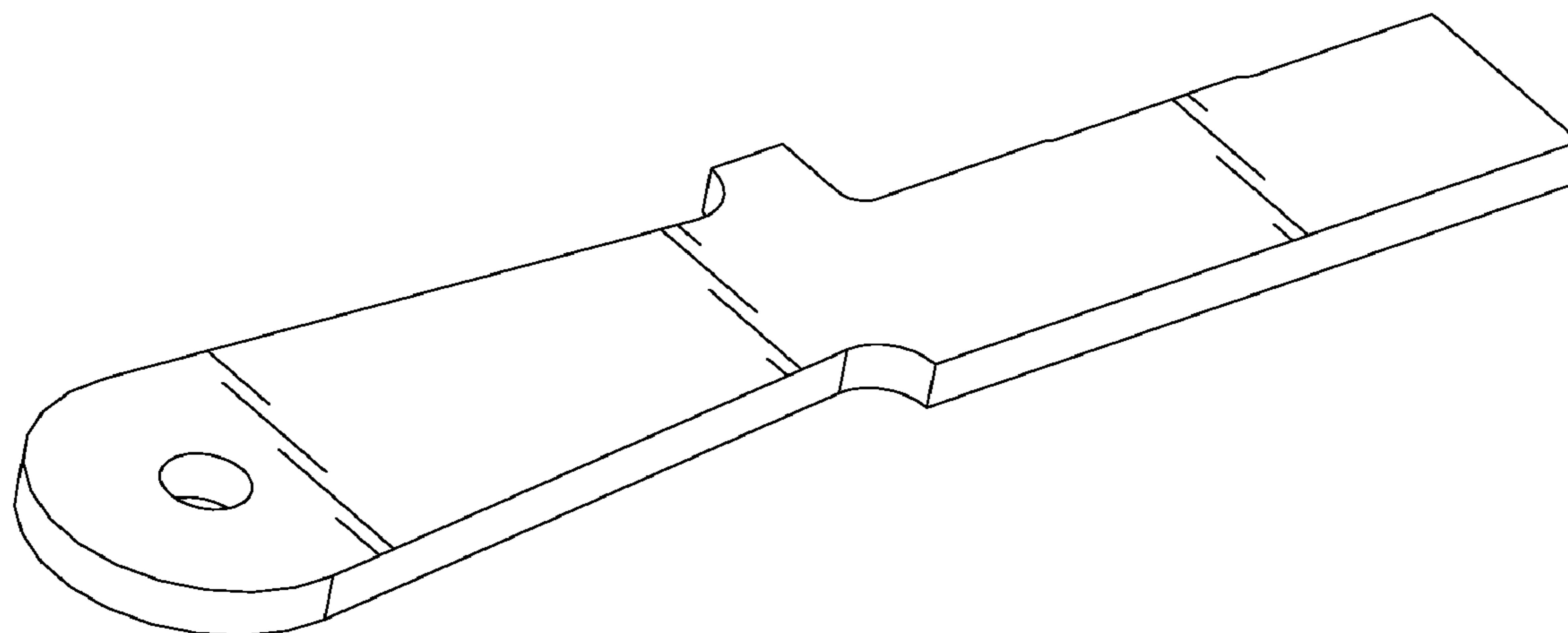
FIG. 4 is a left side view of the AG roller chain wear gauge, with respect to FIG. 2;

FIG. 5 is right side view of the AG roller chain wear gauge, with respect to FIG. 2;

FIG. 6 is a bottom view of the AG roller chain wear gauge, with respect to FIG. 2; and,

FIG. 7 is a top view of the AG roller chain wear gauge, with respect to FIG. 2.

1 Claim, 2 Drawing Sheets



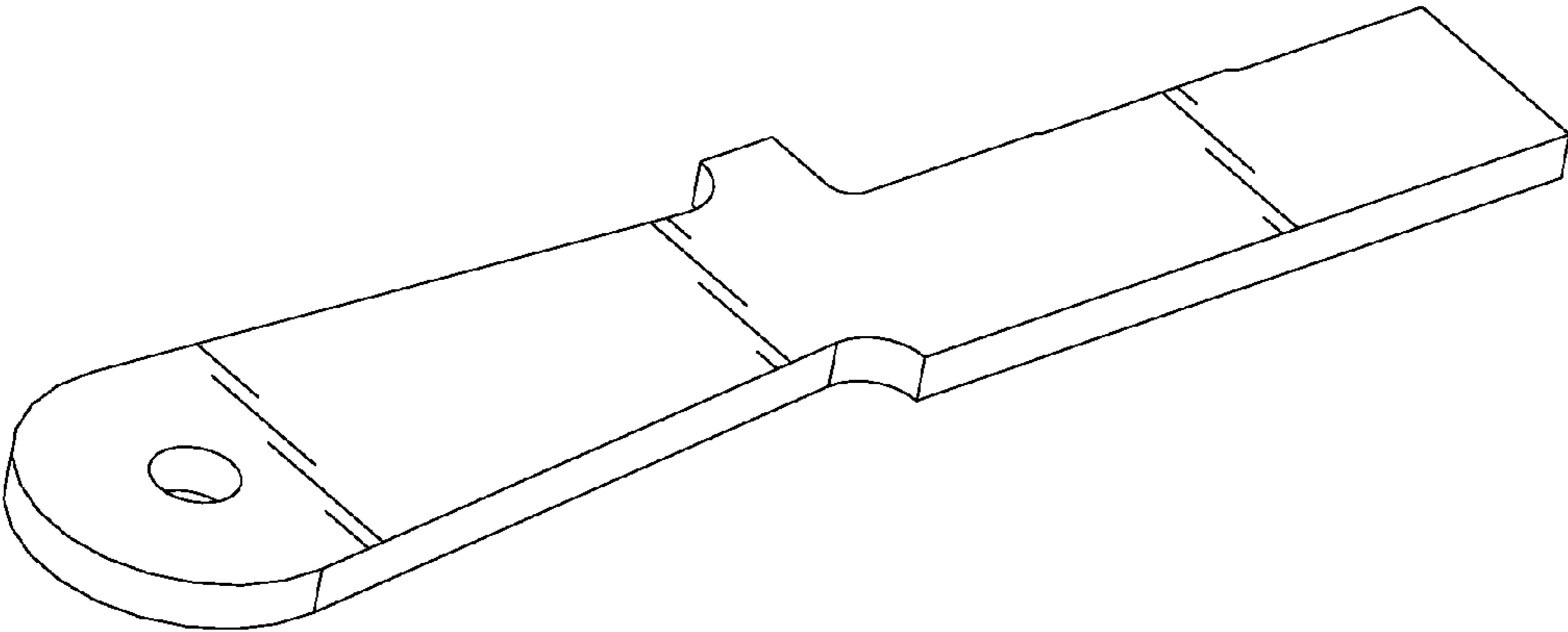


FIG. 1

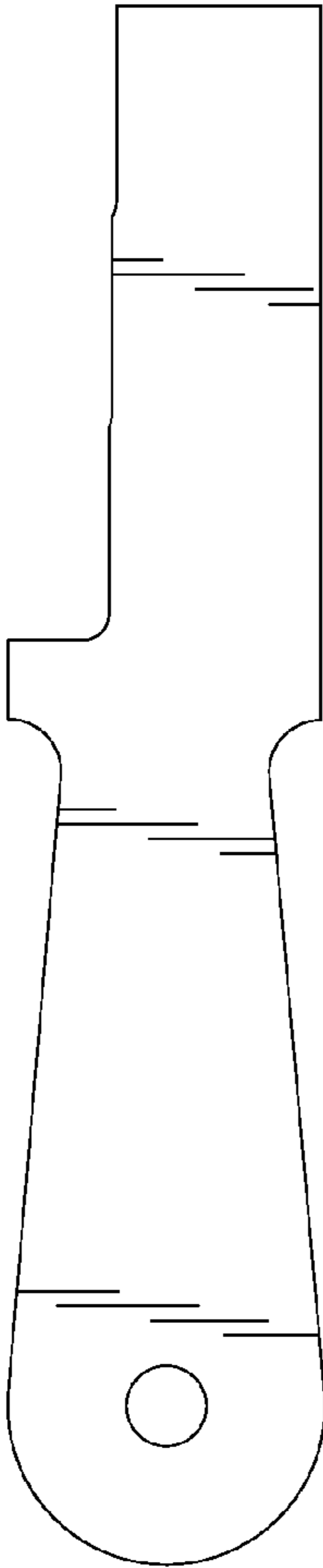


FIG. 2

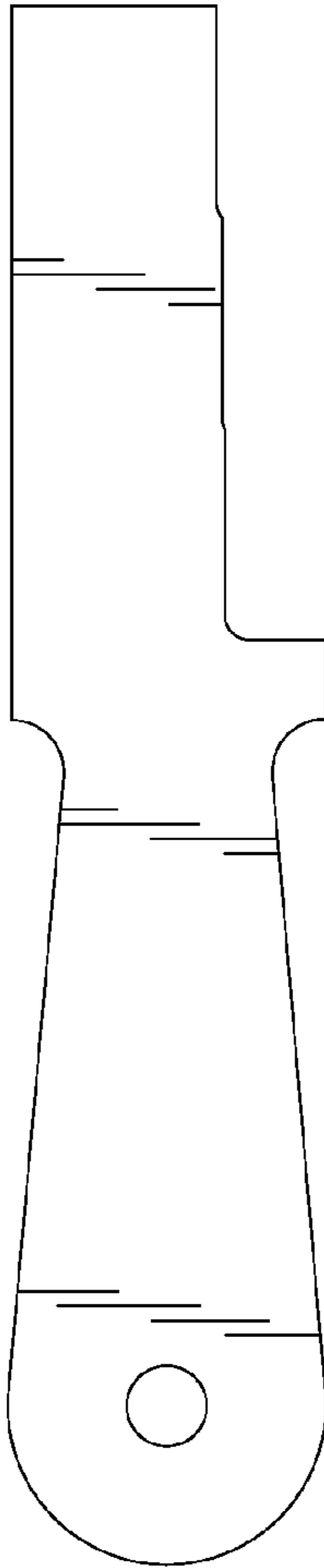


FIG. 3

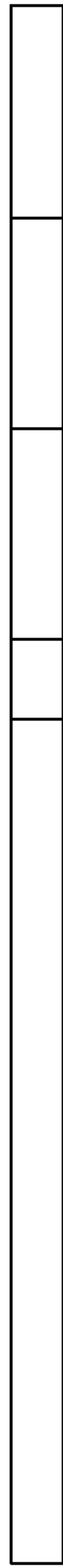


FIG. 4

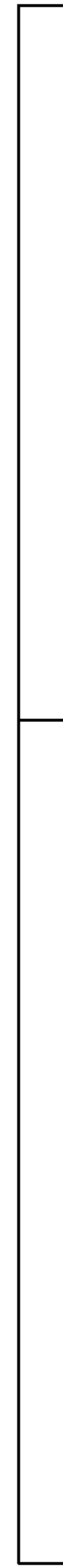


FIG. 5



FIG. 6



FIG. 7