

US00D596511S

(12) **United States Design Patent**
Bahler

(10) **Patent No.:** **US D596,511 S**
(45) **Date of Patent:** **** Jul. 21, 2009**

(54) **LINE-TRANSFER DEVICE**
(75) Inventor: **Philip J. Bahler**, Tolland, CT (US)
(73) Assignee: **Toolbro Innovators LLC**, South Windsor, CT (US)
(**) Term: **14 Years**
(21) Appl. No.: **29/294,518**
(22) Filed: **Jan. 15, 2008**

(51) **LOC (9) Cl.** **10-04**
(52) **U.S. Cl.** **D10/63**
(58) **Field of Classification Search** D8/51,
D8/71, 72; D10/63, 64, 65, 71, 73; D19/35;
29/272; 33/1 G, 1 N, 286, 418, 434, 452,
33/453, 465, 472, 473, 481, 482, 640, 645
See application file for complete search history.

(56) **References Cited**

U.S. PATENT DOCUMENTS

D125,062 S *	2/1941	Blazey	D10/63
D134,917 S *	1/1943	Eubanks	D10/63
D137,749 S *	4/1944	Murphy	D10/63
2,569,019 A *	9/1951	Ridgeway	33/21.3
3,462,843 A *	8/1969	Blake	33/1 H
4,503,618 A *	3/1985	Eberhardt	33/645
D280,493 S *	9/1985	Johnson	D10/73
D339,376 S *	9/1993	Abe	D19/35

6,823,603 B1 *	11/2004	Tindall	33/471
D557,152 S *	12/2007	Lewis et al.	D10/65
D577,975 S *	10/2008	Bahler	D8/70
2001/0034951 A1 *	11/2001	Sears	33/640

* cited by examiner

Primary Examiner—Elizabeth A Albert
(74) *Attorney, Agent, or Firm*—Ira S. Dorman

(57) **CLAIM**

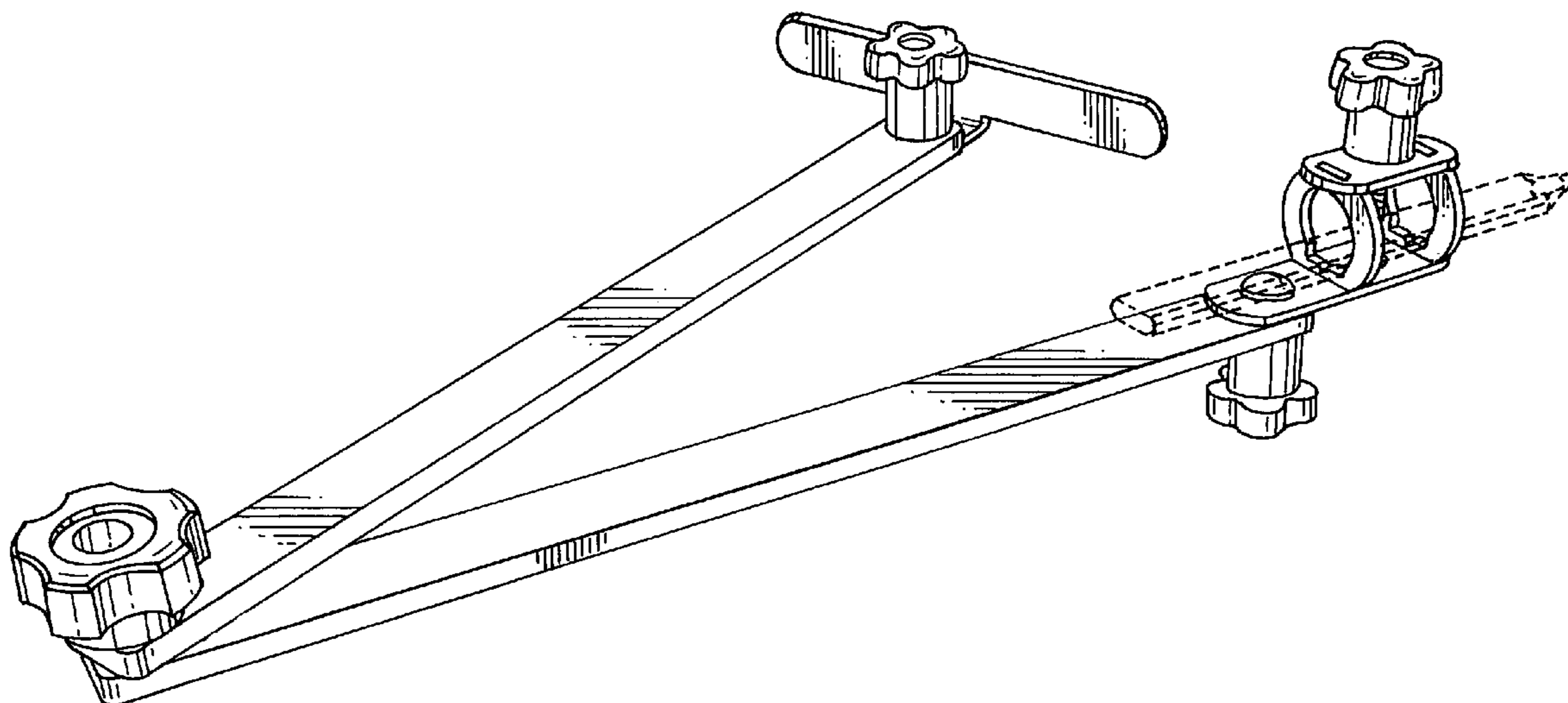
The ornamental design for a line-transfer device, as shown and described.

DESCRIPTION

FIG. 1 is perspective view of a line-transfer device showing my new design;
FIG. 2 is a top plan view of the line-transfer device;
FIG. 3 is a bottom view of the line-transfer device;
FIG. 4 is a front elevational view of the line-transfer device;
FIG. 5 is a rear elevational view of the line-transfer device;
FIG. 6 is a right end elevational view of the line-transfer device; and,
FIG. 7 is a left end elevational view of the line-transfer device.

The broken line showing a carpenter's pencil in FIG. 1 is intended for the purpose of illustrating environment, and forms no part of the claimed design.

1 Claim, 5 Drawing Sheets



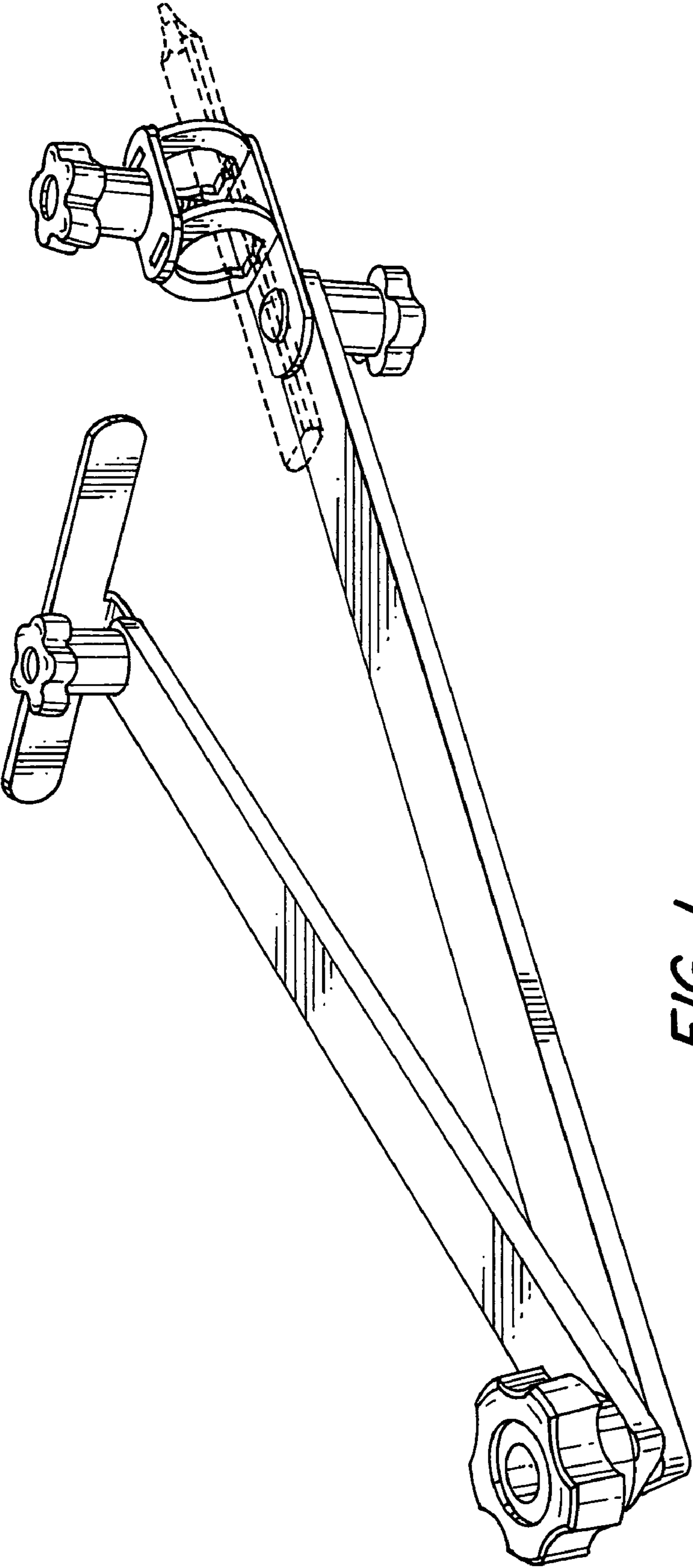


FIG. 1

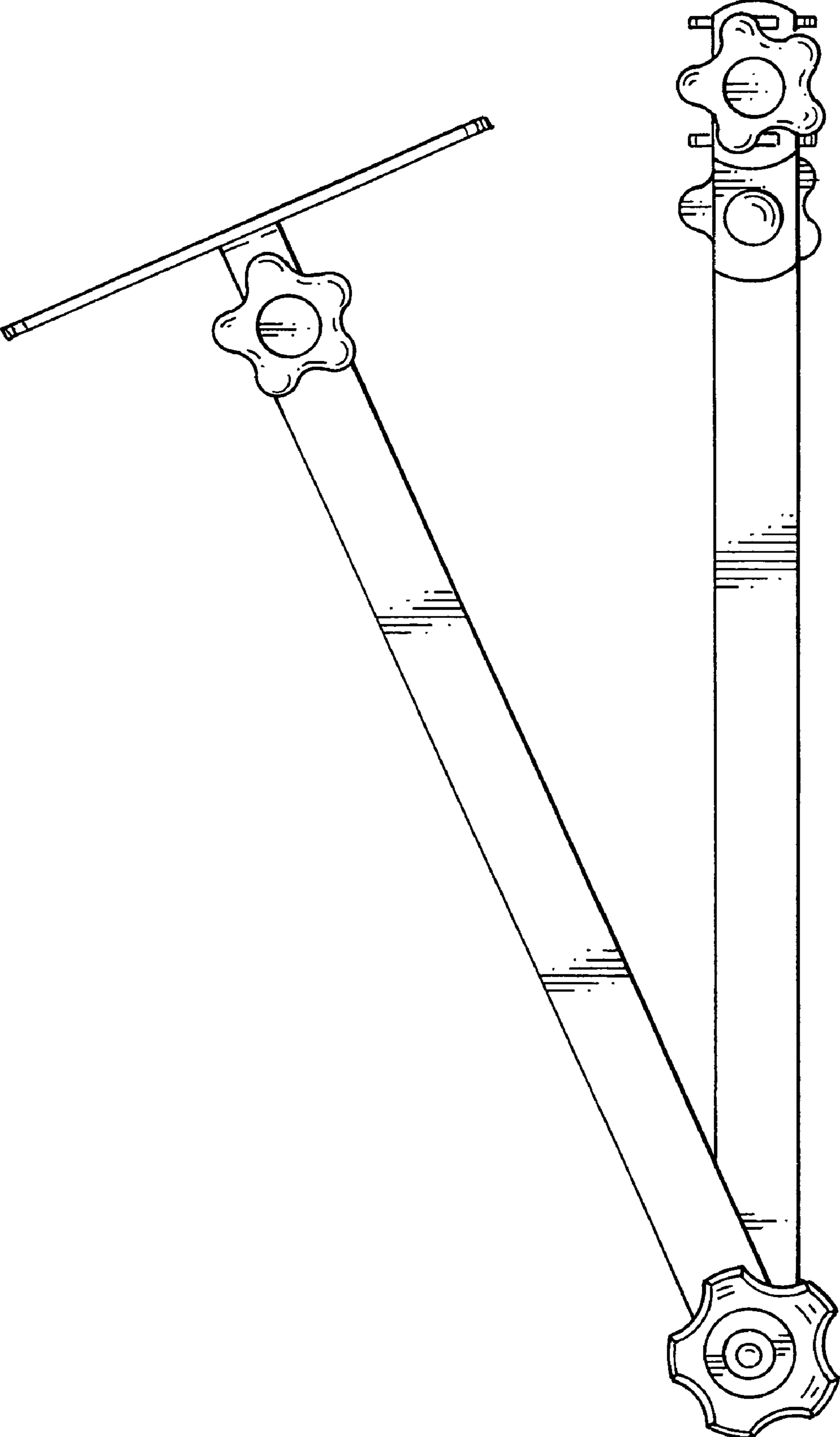


FIG. 2

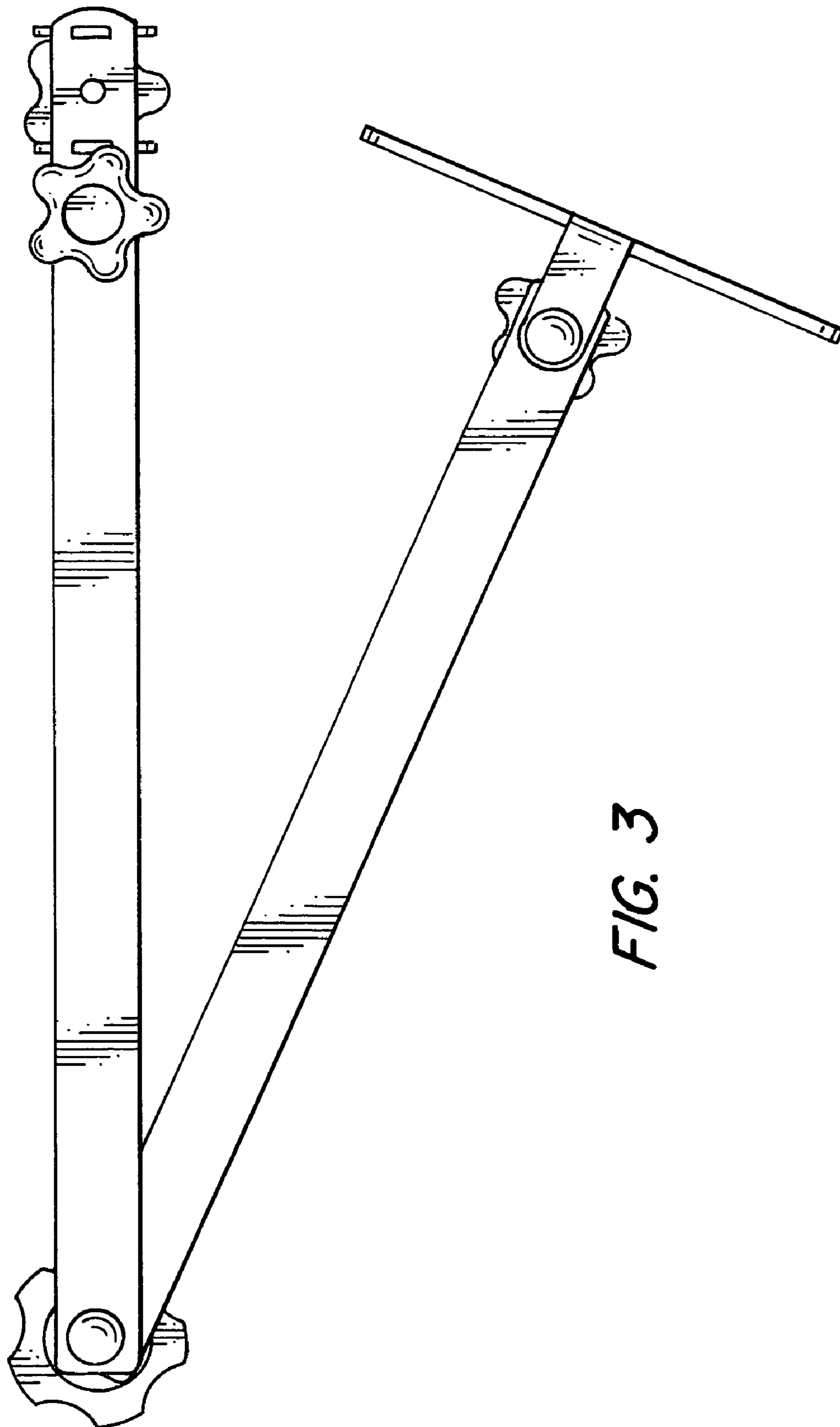


FIG. 3

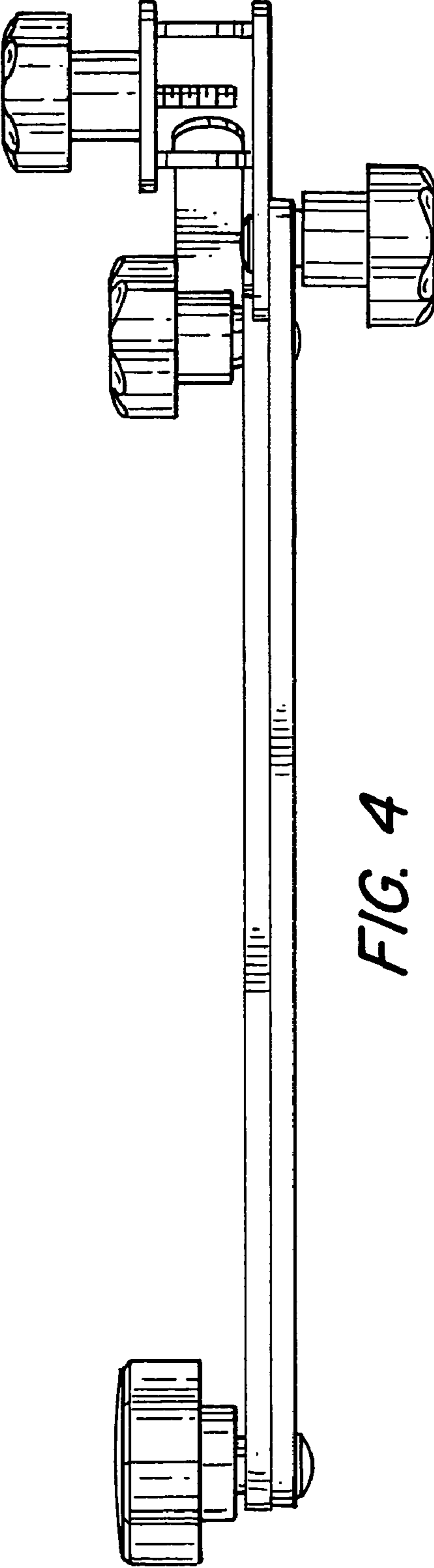


FIG. 4

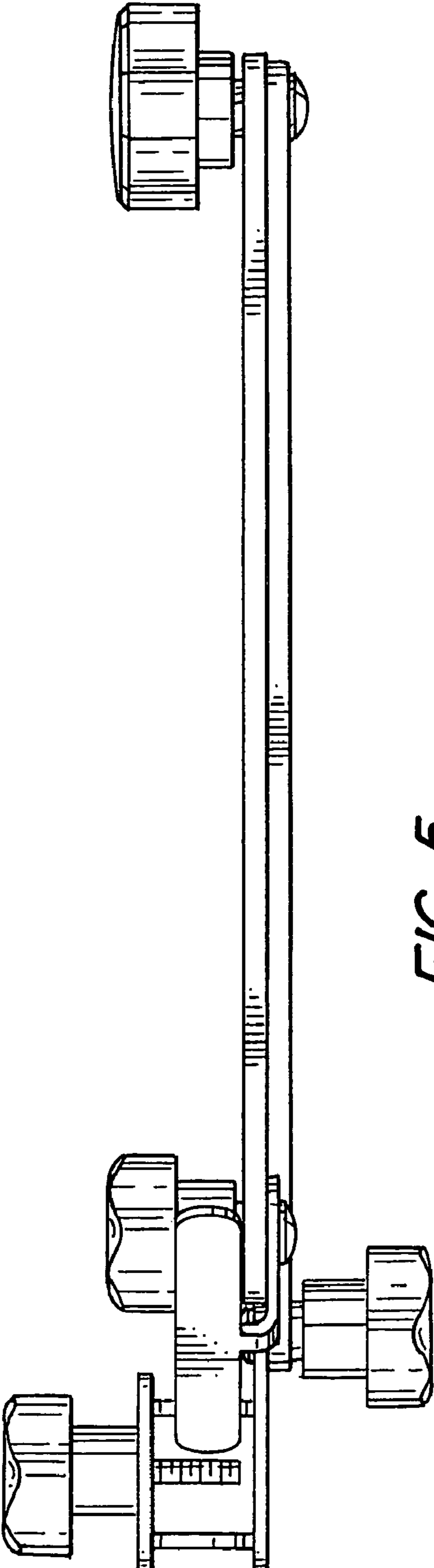


FIG. 5

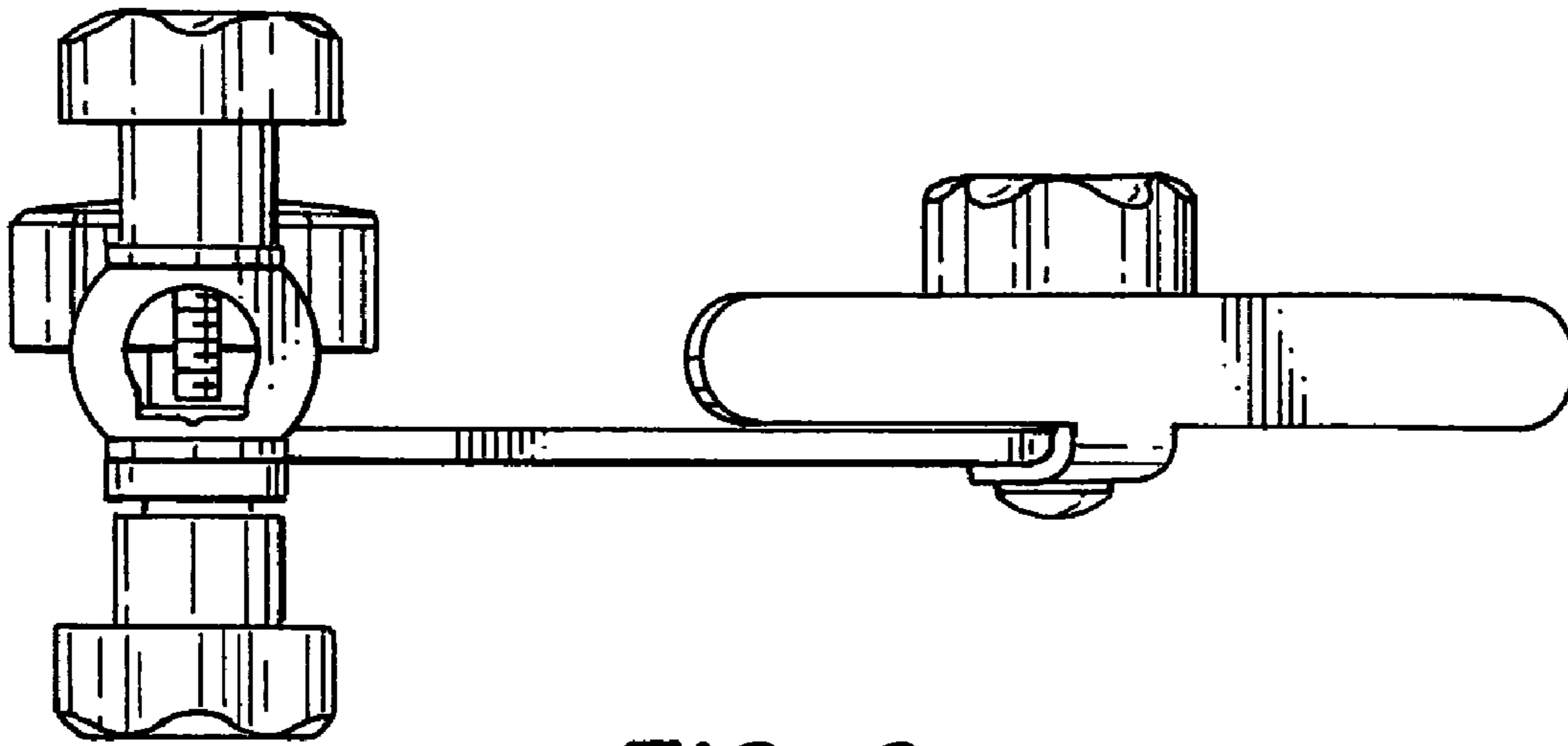


FIG. 6

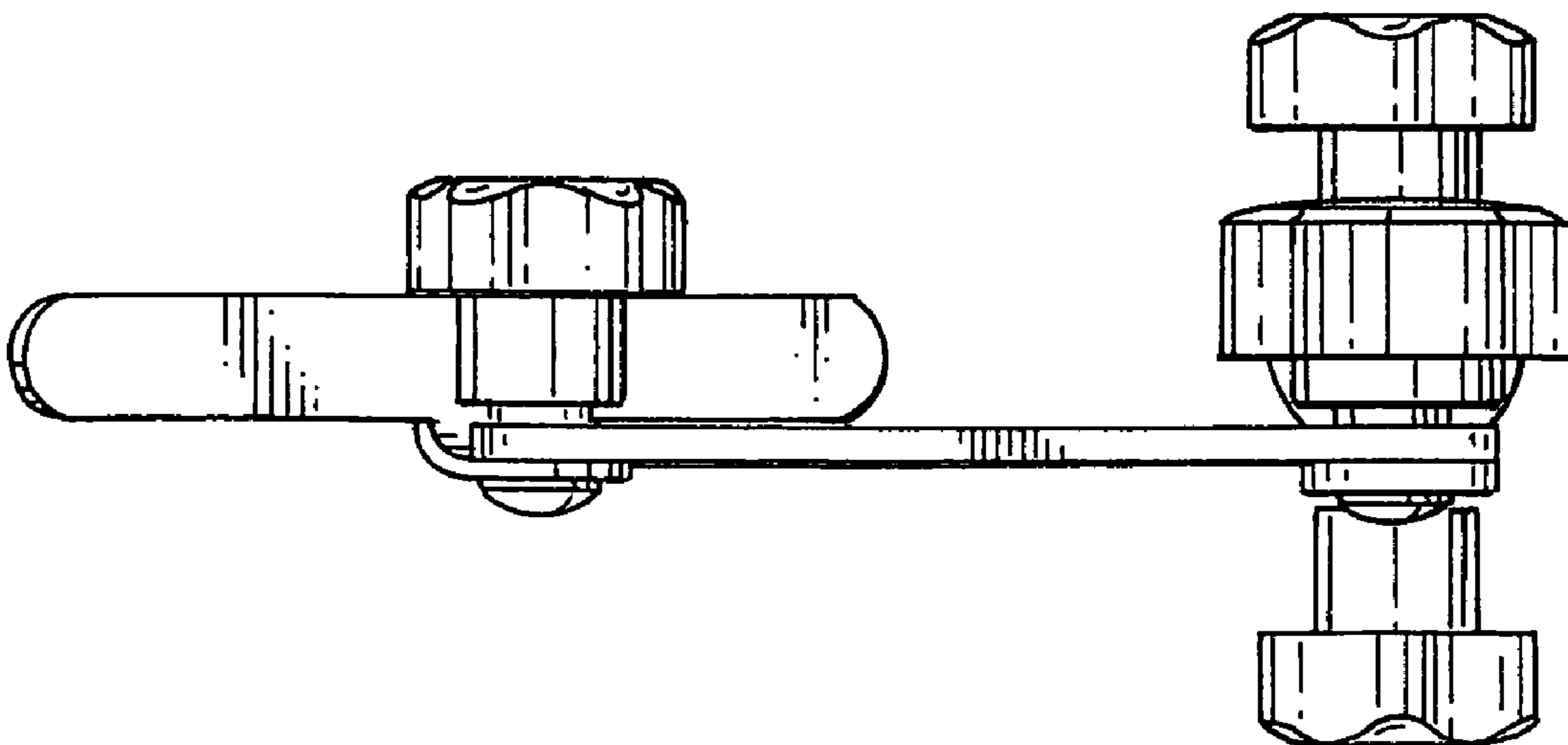


FIG. 7