



US00D596510S

(12) **United States Design Patent**  
**Register et al.**

(10) **Patent No.:** **US D596,510 S**  
(45) **Date of Patent:** **\*\* Jul. 21, 2009**

(54) **WATCH**

(75) Inventors: **Todd P. Register**, Olathe, KS (US);  
**Peter J. Henne**, Overland Park, KS  
(US); **Thomas A. Bondurant**, Shawnee,  
KS (US)

(73) Assignee: **Garmin Ltd.** (KY)

(\*\*) Term: **14 Years**

(21) Appl. No.: **29/333,291**

(22) Filed: **Mar. 5, 2009**

(51) **LOC (9) Cl.** ..... **10-02**

(52) **U.S. Cl.** ..... **D10/38**

(58) **Field of Classification Search** ..... D10/30-39,  
D10/65; 368/276, 278, 281, 282, 285, 82-84,  
368/223

See application file for complete search history.

(56) **References Cited**

**U.S. PATENT DOCUMENTS**

4,051,662	A	*	10/1977	O'Connor et al.	.....	368/29
4,180,969	A	*	1/1980	Naito	.....	368/21
D261,112	S	*	10/1981	Fukumura	.....	D10/38
D261,113	S	*	10/1981	Fukumura	.....	D10/39
D263,452	S	*	3/1982	Wada	.....	D10/38
D265,295	S	*	7/1982	Wada	.....	D10/38
D266,491	S	*	10/1982	Abe	.....	D10/39
4,398,834	A	*	8/1983	Wakai	.....	368/223
D303,769	S	*	10/1989	Ando	.....	D10/38
D331,020	S	*	11/1992	Ishii et al.	.....	D10/31
D331,021	S	*	11/1992	Ishii et al.	.....	D10/31
D355,610	S	*	2/1995	Sugita	.....	D10/31
D363,234	S	*	10/1995	Morishima et al.	.....	D10/38

D370,639	S	*	6/1996	Morishima et al.	.....	D10/38
D390,789	S	*	2/1998	Sugita et al.	.....	D10/30
D452,008	S	*	12/2001	Komulainen	.....	D24/167
D527,657	S	*	9/2006	Wilcox et al.	.....	D10/38
D549,602	S	*	8/2007	Oberrieder et al.	.....	D10/65
D550,105	S	*	9/2007	Oberrieder et al.	.....	D10/65
D551,094	S	*	9/2007	Yan	.....	D10/32
D560,520	S	*	1/2008	Oberrieder et al.	.....	D10/65
7,398,151	B1	*	7/2008	Burrell et al.	.....	701/200

**OTHER PUBLICATIONS**

U.S. Appl. No. 29/299,704 entitled Watch Device, filed Jan. 2, 2008.

\* cited by examiner

*Primary Examiner*—Lucy Lieberman

(74) *Attorney, Agent, or Firm*—Samuel M. Korte

(57) **CLAIM**

The ornamental design for a watch, as shown and described.

**DESCRIPTION**

FIG. 1 is a front and right side perspective view of a watch showing our new design;

FIG. 2 is a front view of the watch;

FIG. 3 is a left side elevation thereof;

FIG. 4 is a right side elevation thereof;

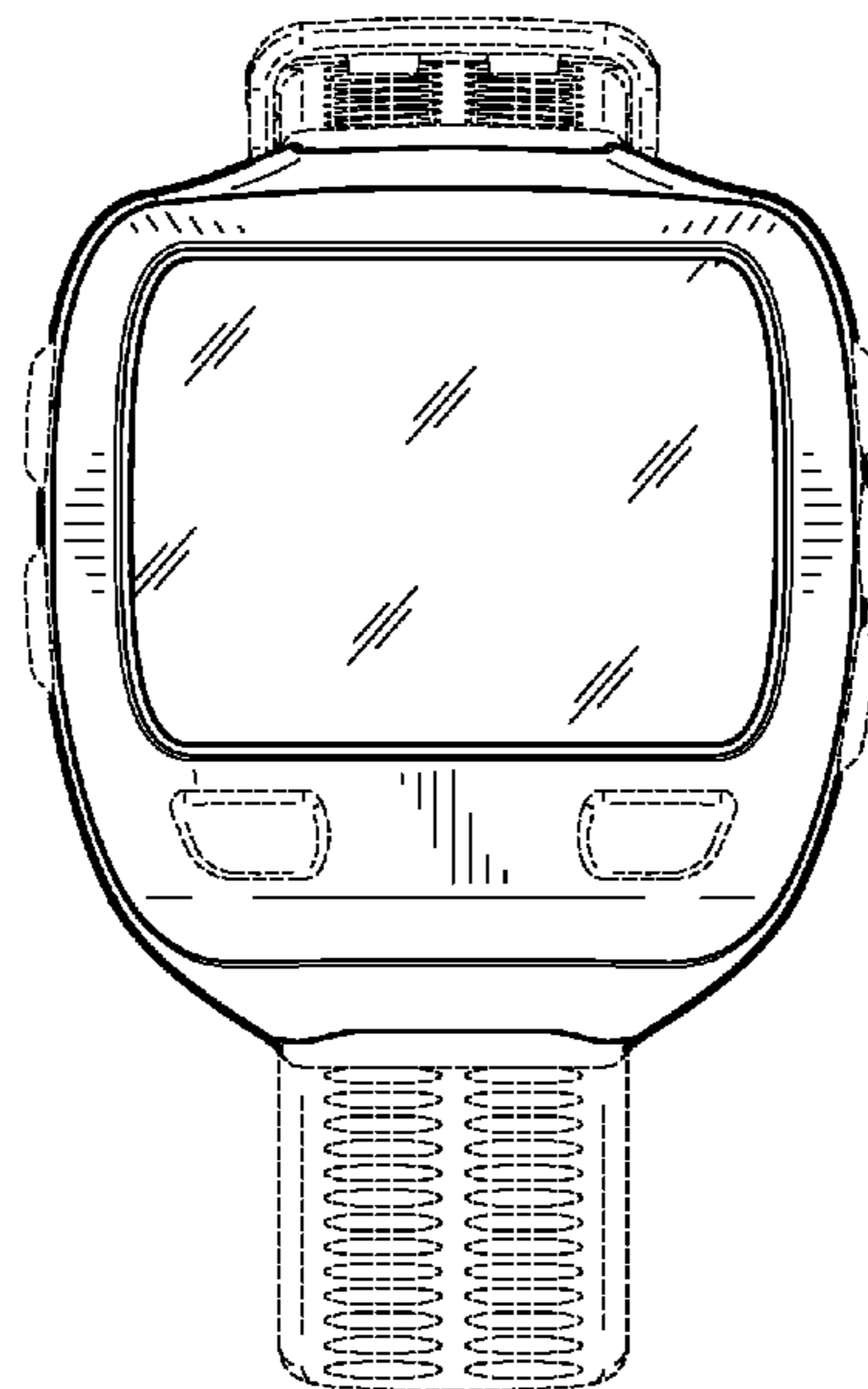
FIG. 5 is a top view of the watch;

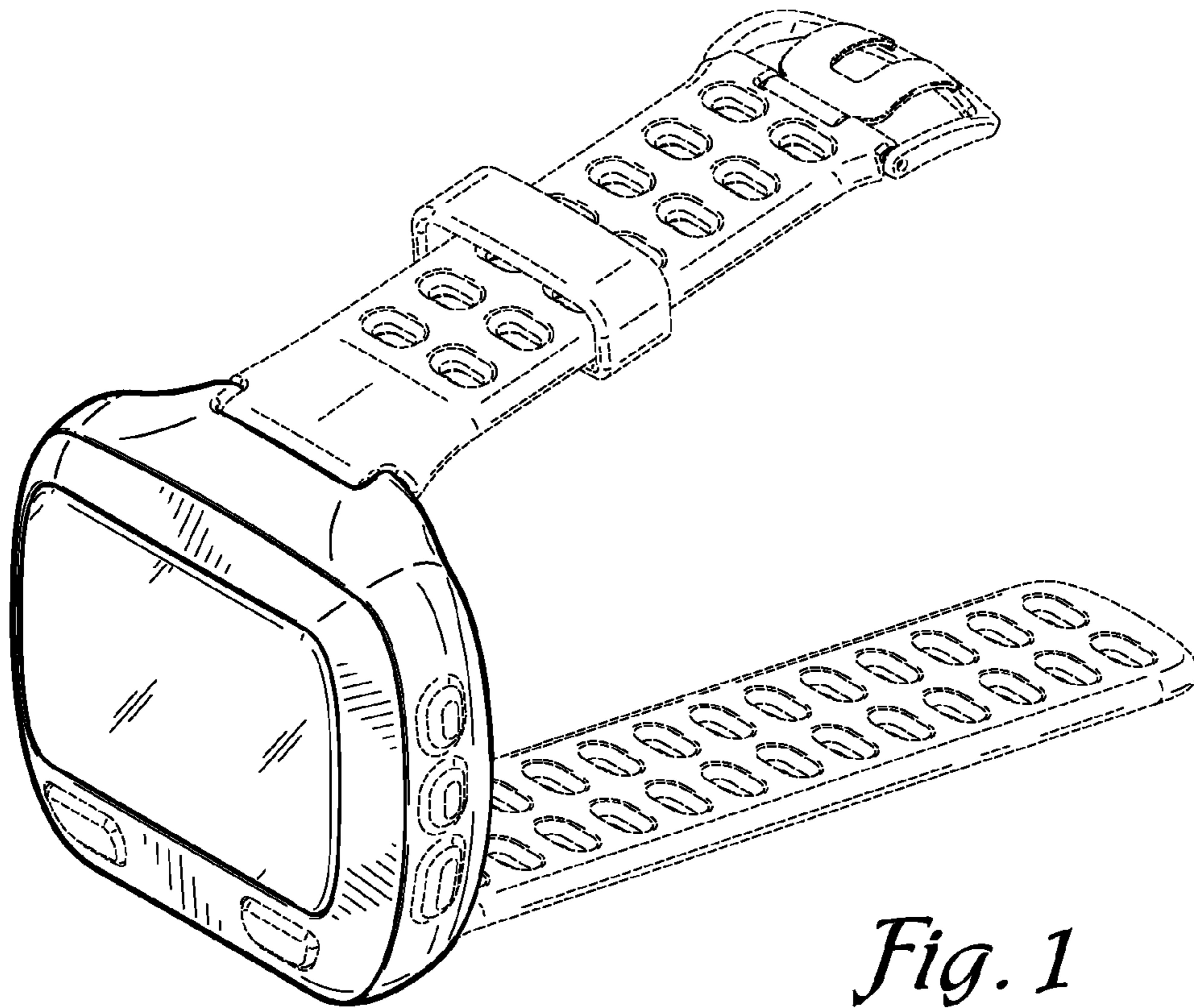
FIG. 6 is a bottom view of the watch; and,

FIG. 7 is a rear view of the watch.

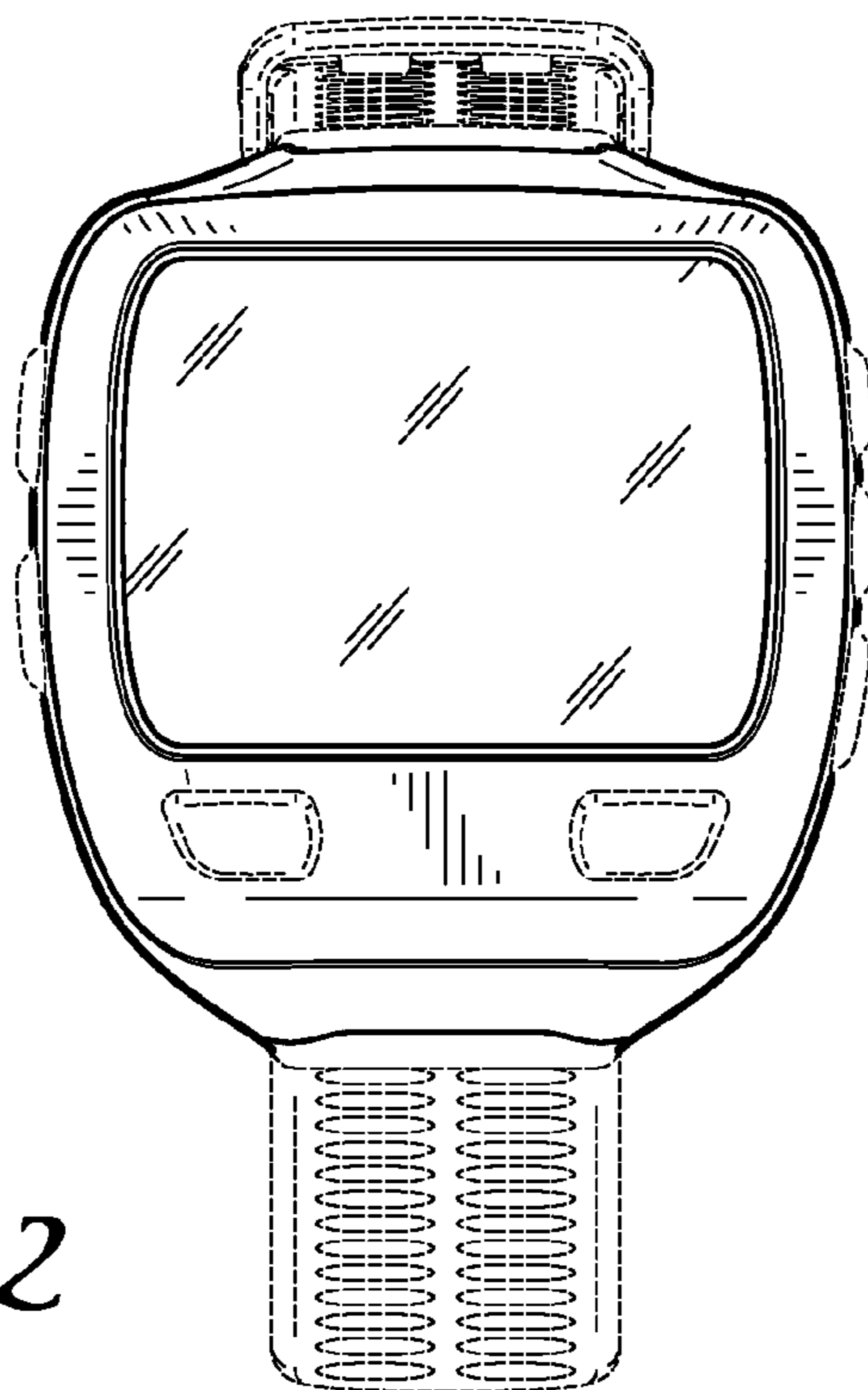
Portions of FIGS. 1 through 7 are shown in dashed lines for illustrative purposes only and form no part of the claimed design.

**1 Claim, 4 Drawing Sheets**

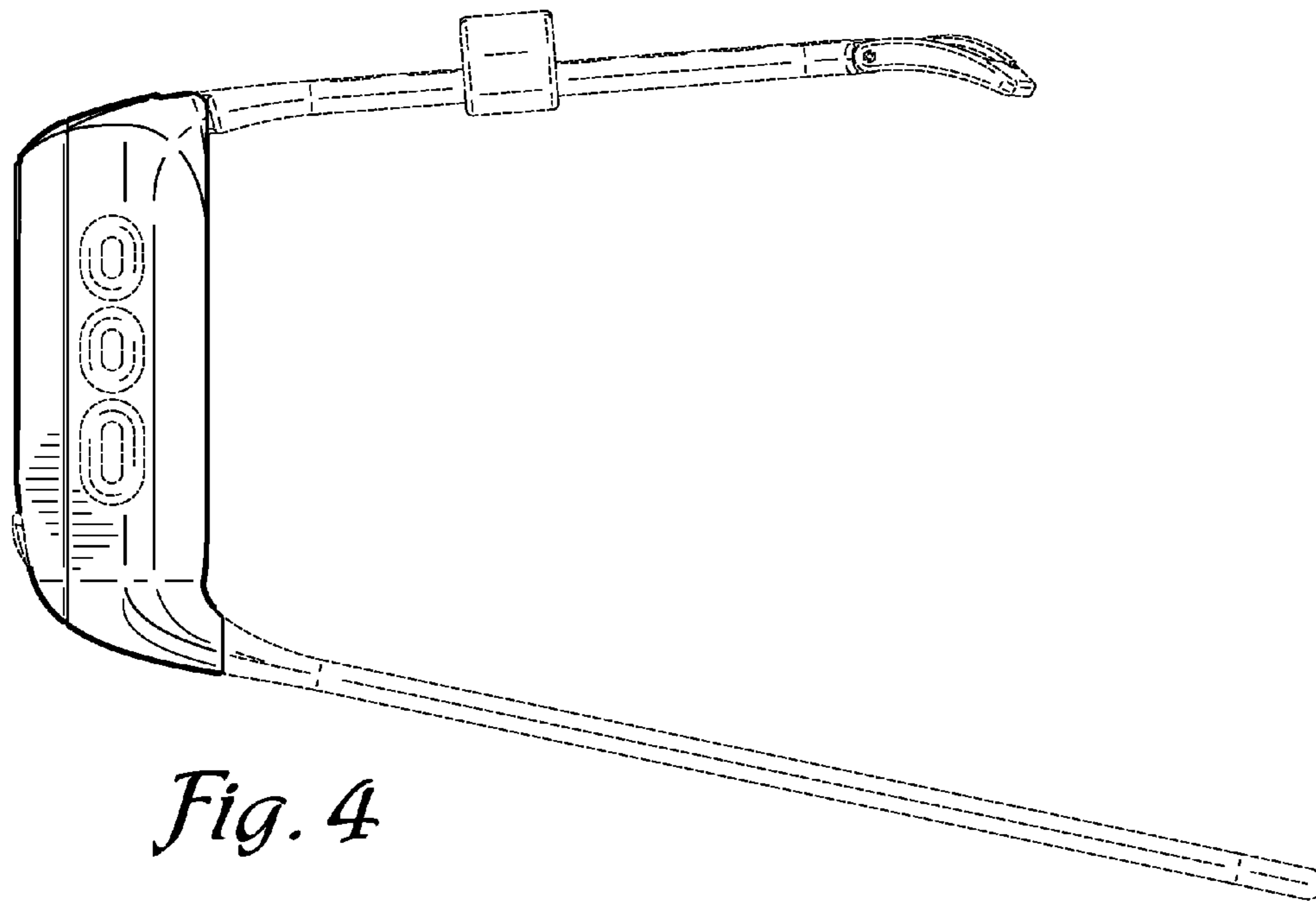
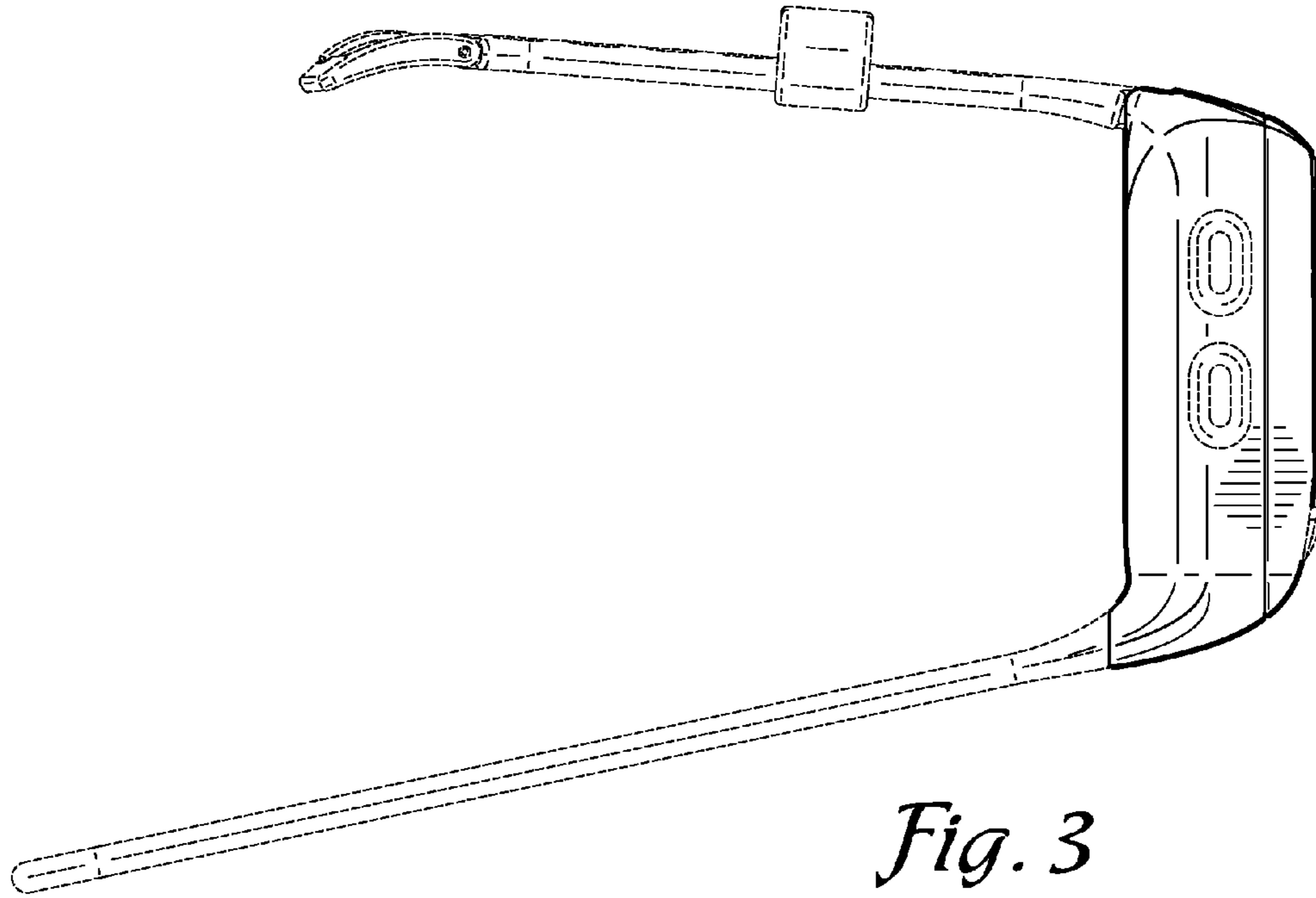


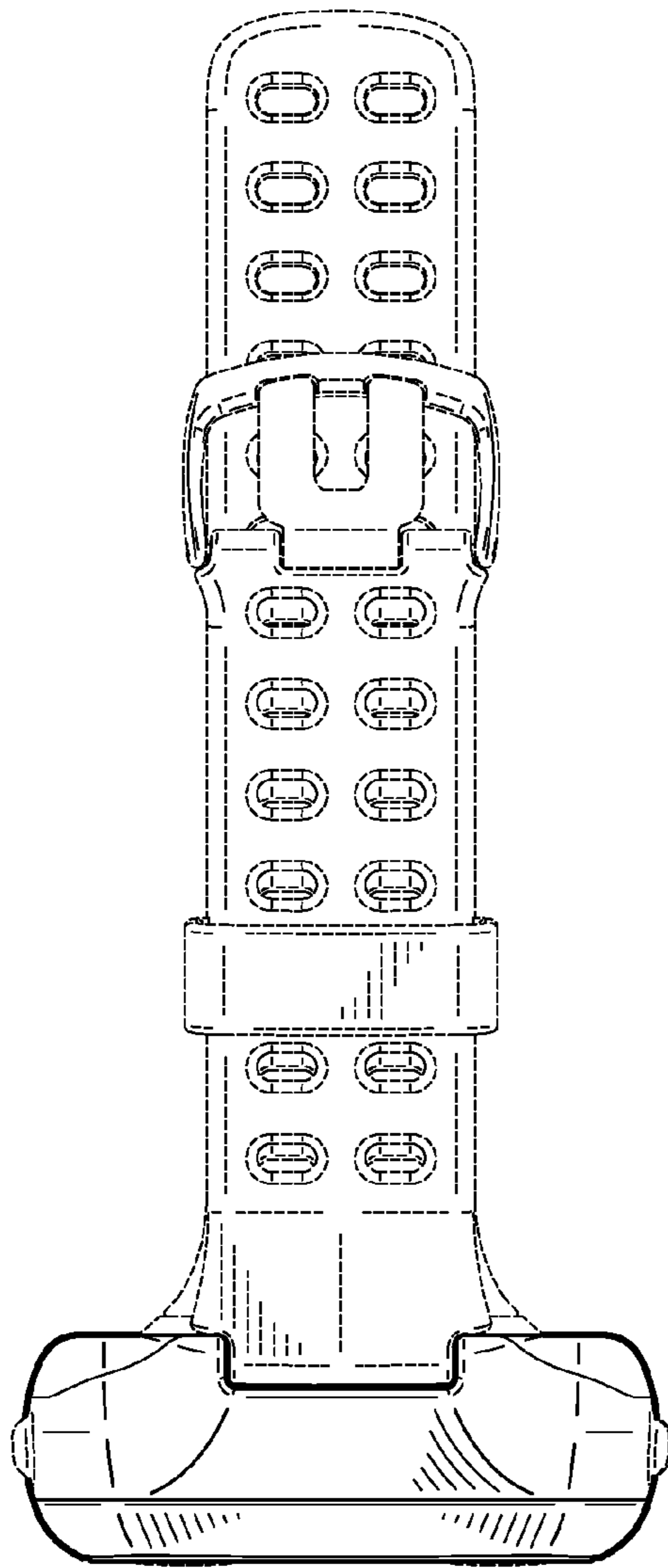


*Fig. 1*

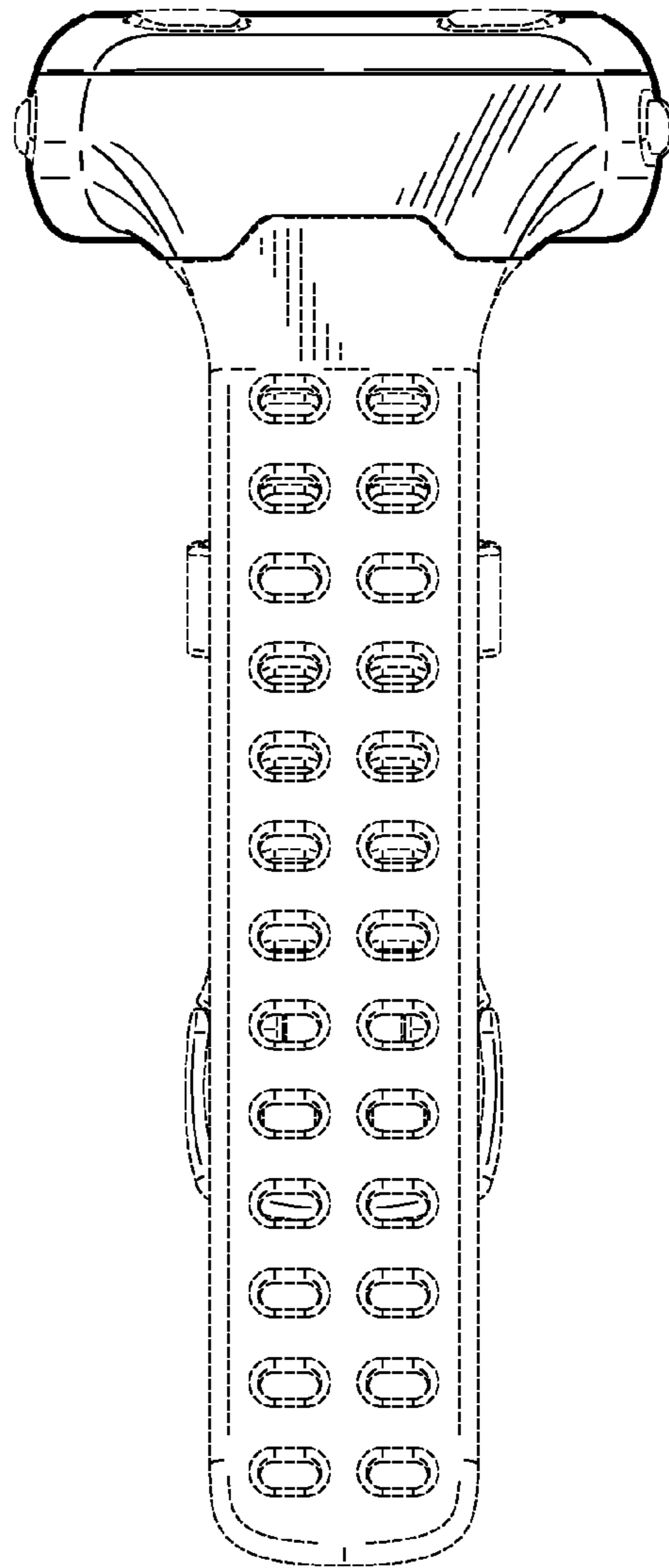


*Fig. 2*

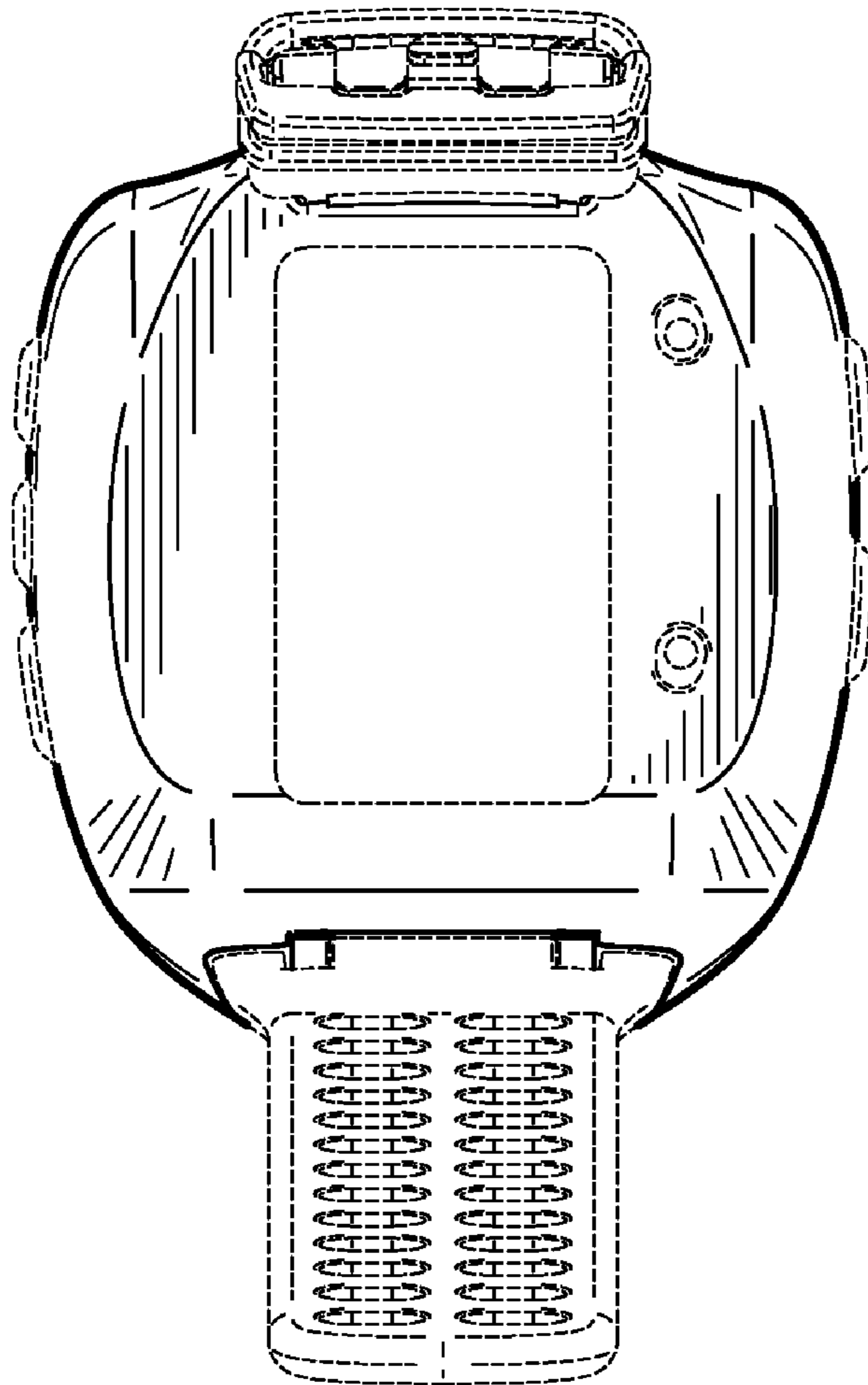




*Fig. 5*



*Fig. 6*



*Fig. 7*