



US00D596509S

(12) **United States Design Patent**  
**Kume et al.**

(10) **Patent No.:** **US D596,509 S**

(45) **Date of Patent:** **\*\* Jul. 21, 2009**

(54) **WATCH CASE**

(75) Inventors: **Katsunori Kume**, Tokyo (JP); **Keizo Kumano**, Chiba (JP)

(73) Assignee: **Seiko Watch Kabushiki Kaisha** (JP)

(\*\*) Term: **14 Years**

(21) Appl. No.: **29/333,277**

(22) Filed: **Mar. 5, 2009**

(30) **Foreign Application Priority Data**

Jan. 8, 2009 (JP) ..... 2009 000286

(51) **LOC (9) Cl.** ..... **10-02**

(52) **U.S. Cl.** ..... **D10/38**

(58) **Field of Classification Search** ..... D10/30-39;  
368/276, 281, 282, 285

See application file for complete search history.

(56) **References Cited**

**U.S. PATENT DOCUMENTS**

2,361,563	A	*	10/1944	Pellaton	.....	368/80
D264,945	S	*	6/1982	Pennell	.....	D10/32
D327,851	S	*	7/1992	Besson	.....	D10/39
D358,776	S	*	5/1995	Pandel	.....	D10/30
D373,538	S	*	9/1996	Riley	.....	D10/30
D418,427	S	*	1/2000	Fichter	.....	D10/30
D438,472	S	*	3/2001	Fichter	.....	D10/39
D474,118	S	*	5/2003	Monachon	.....	D10/32
6,570,823	B1	*	5/2003	Gilomen et al.	.....	368/113
D502,413	S	*	3/2005	Sugiura et al.	.....	D10/39
D517,432	S	*	3/2006	Laucella	.....	D10/39

D519,388	S	*	4/2006	Calvani	.....	D10/30
D536,628	S	*	2/2007	Roth	.....	D10/38
D538,182	S	*	3/2007	Lalo	.....	D10/32
D540,199	S	*	4/2007	Nussbaumer	.....	D10/38
D572,608	S	*	7/2008	Behling	.....	D10/32
D574,733	S	*	8/2008	Blair	.....	D10/32
D582,293	S	*	12/2008	Fasciano	.....	D10/30
D585,309	S	*	1/2009	Monachon	.....	D10/39

\* cited by examiner

*Primary Examiner*—Lucy Lieberman

(74) *Attorney, Agent, or Firm*—SAIDMAN DesignLaw Group

(57) **CLAIM**

The ornamental design for a watch case, as shown and described.

**DESCRIPTION**

FIG. 1 is a perspective view of a watch case;

FIG. 2 is a front view thereof;

FIG. 3 is a rear view thereof;

FIG. 4 is a left side view thereof;

FIG. 5 is a right side view thereof;

FIG. 6 is a top plan view thereof; and,

FIG. 7 is a bottom plan view thereof.

The broken lines showing on the drawing disclosure are for illustrative purposes only and form no part of the claimed design.

**1 Claim, 5 Drawing Sheets**

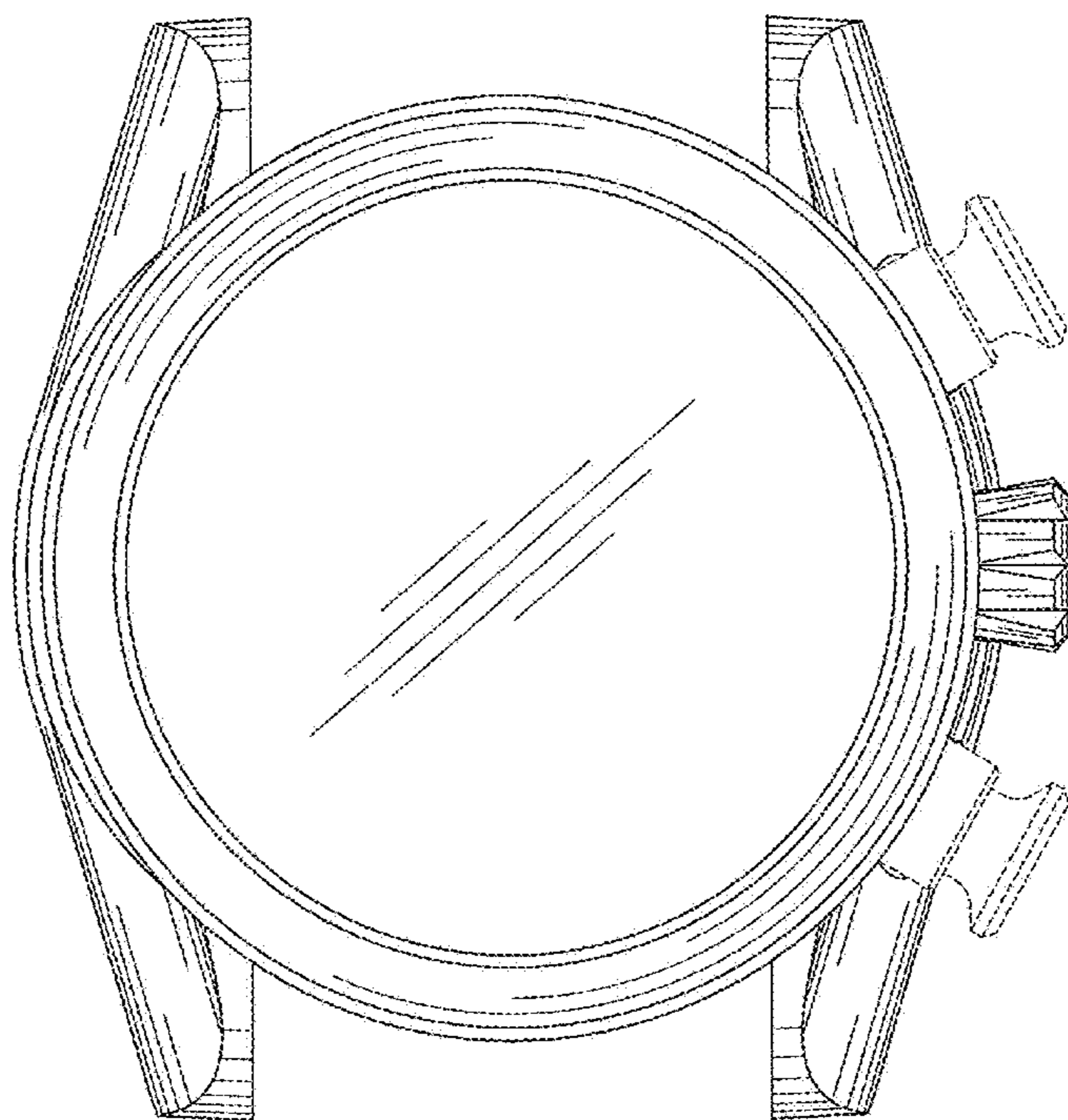


Fig.1

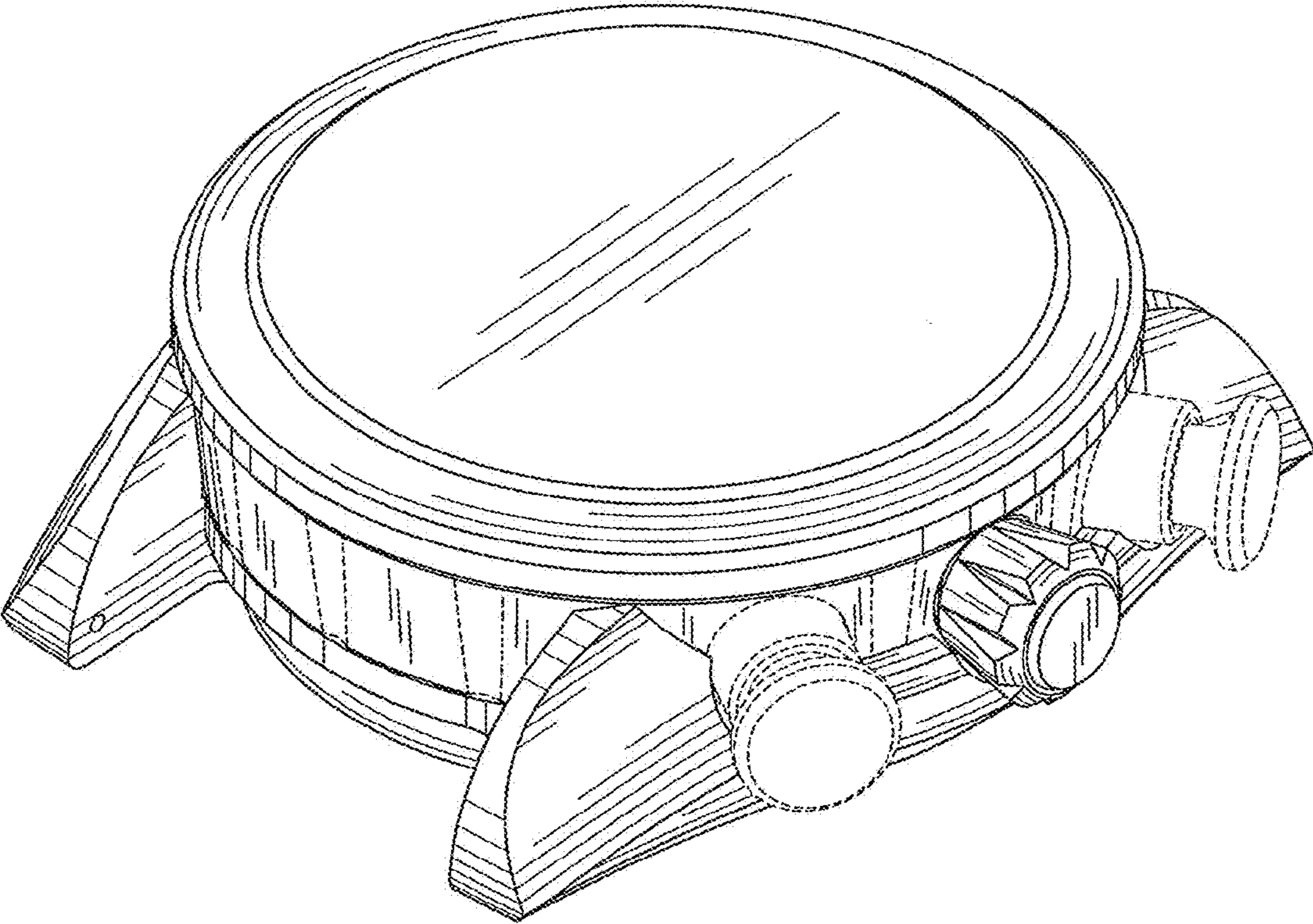


Fig.2

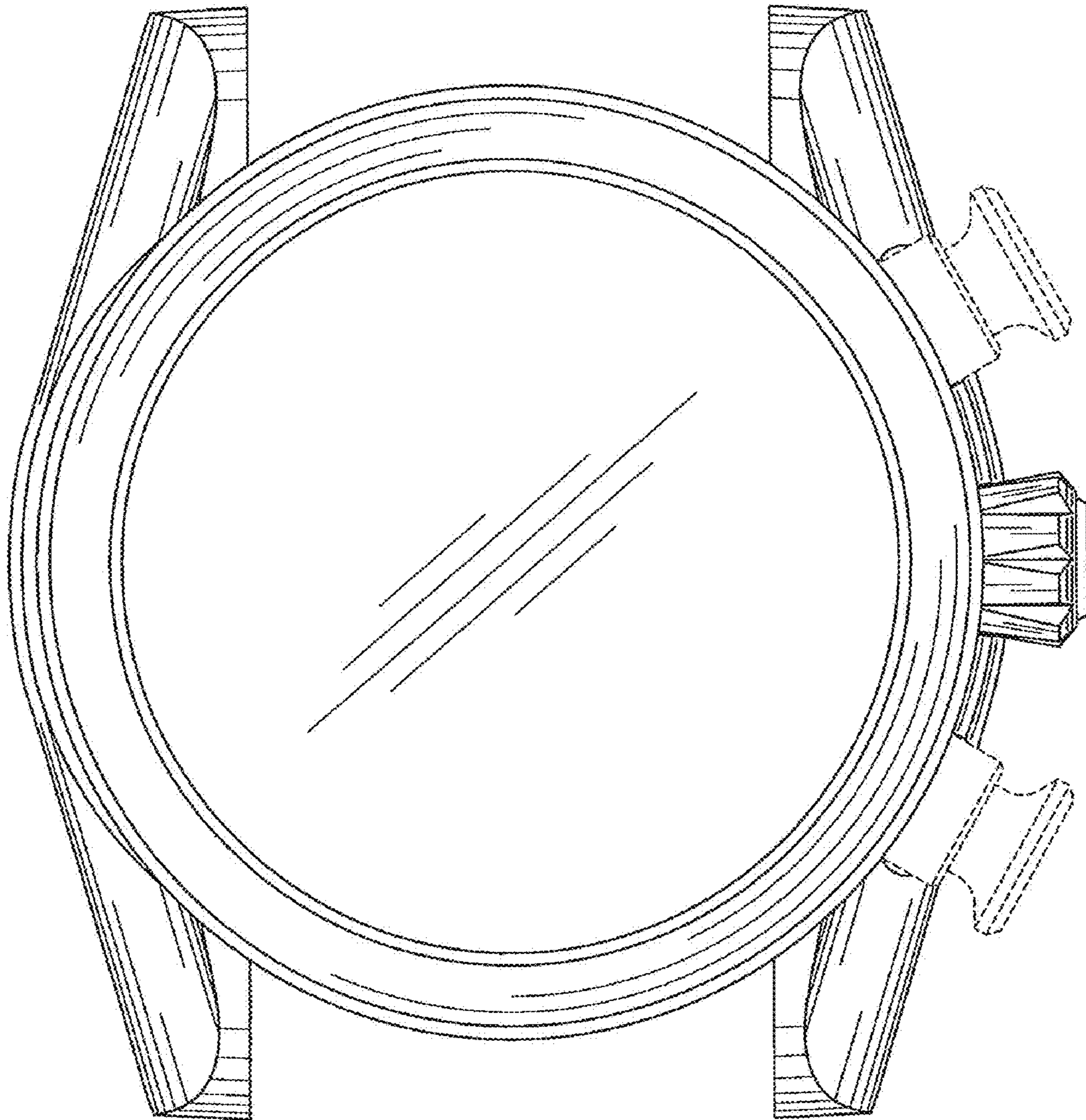


Fig.3

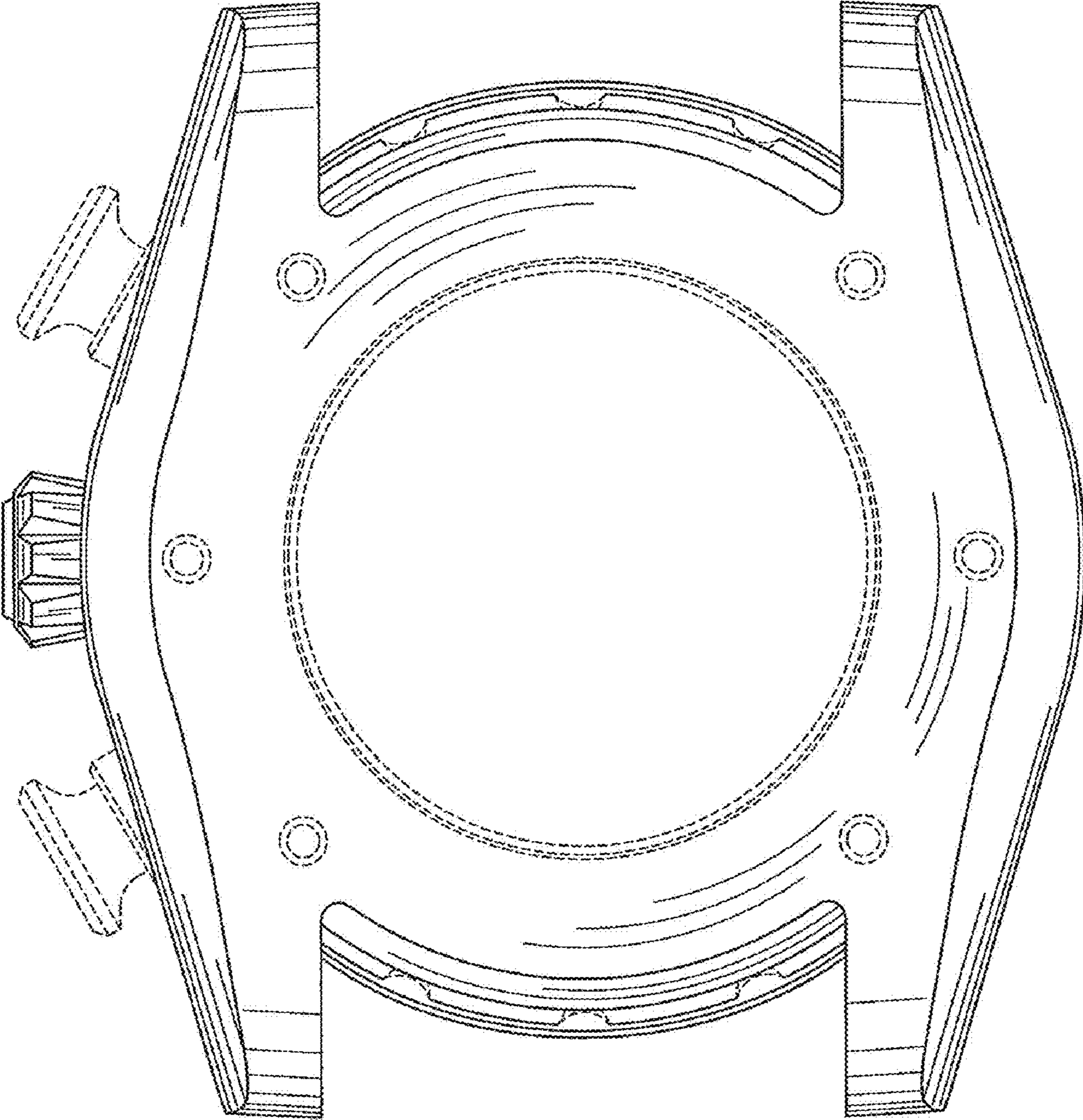


Fig.4

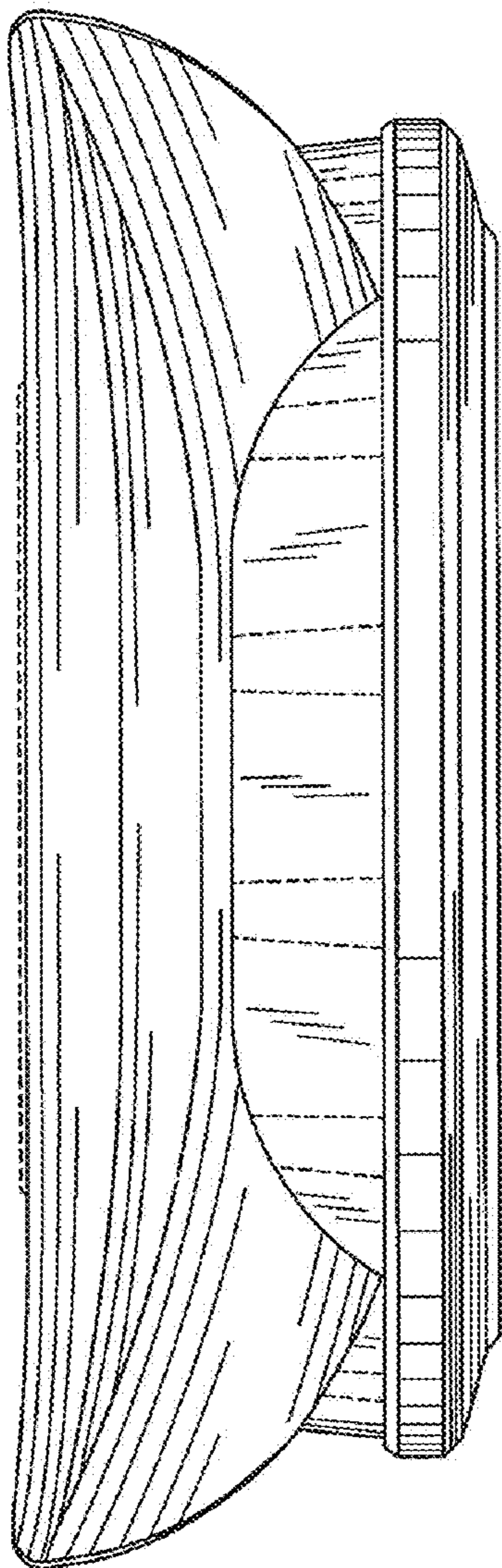


Fig.5

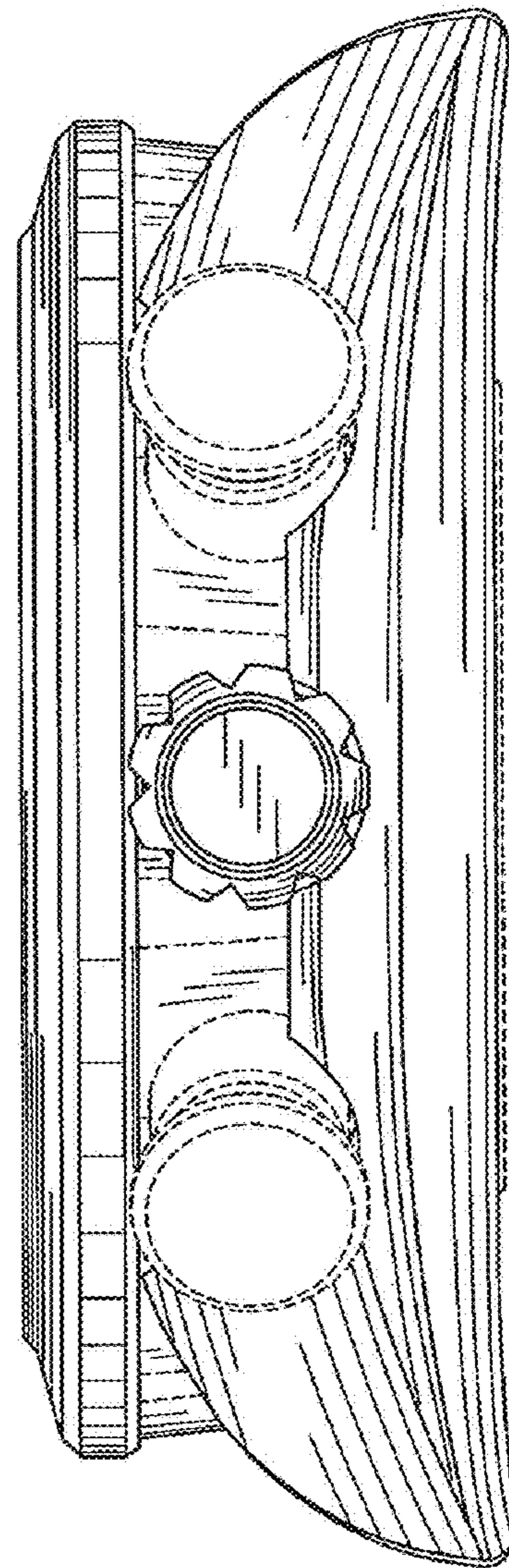


Fig.6

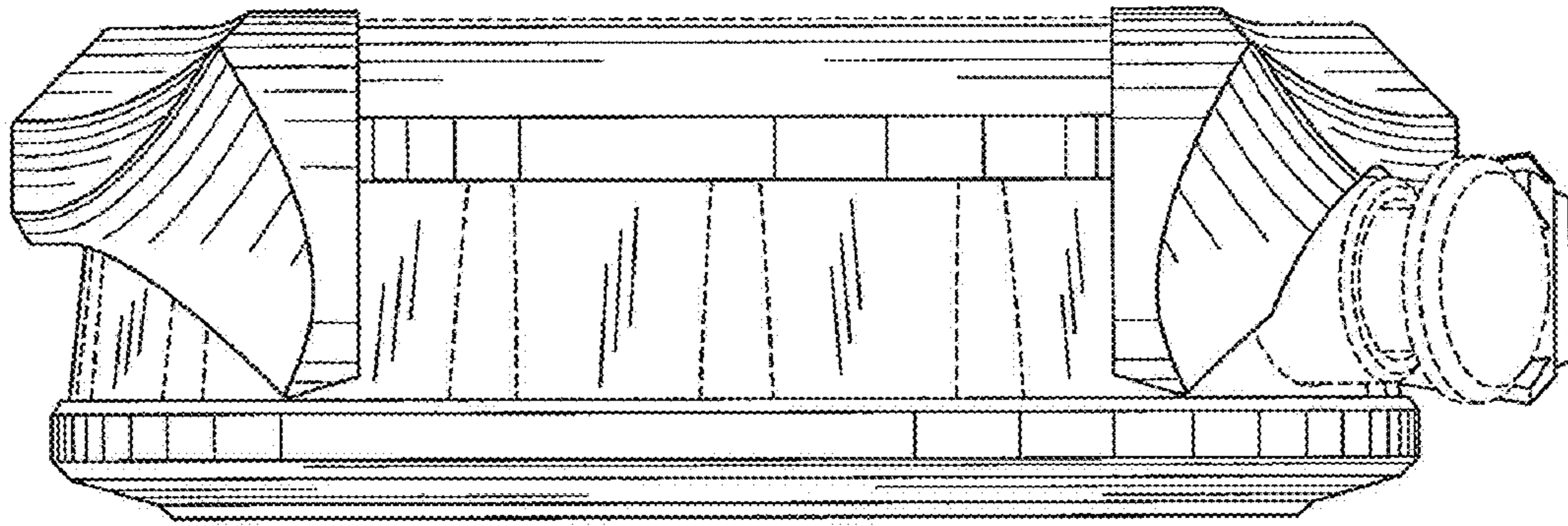


Fig.7

