



US00D596508S

(12) **United States Design Patent**
Warren

(10) **Patent No.:** **US D596,508 S**
(45) **Date of Patent:** **** Jul. 21, 2009**

(54) **MONEY CLIP**

(76) Inventor: **Willie Lee Warren**, 1008 Alameda Blvd., Troy, MI (US) 48085

(**) Term: **14 Years**

(21) Appl. No.: **29/321,930**

(22) Filed: **Jul. 25, 2008**

(51) **LOC (9) Cl.** **10-02**

(52) **U.S. Cl.** **D10/31; D11/78.1**

(58) **Field of Classification Search** D10/2,
D10/31, 30, 32, 38, 39; D11/78.1; D3/249;
368/10

See application file for complete search history.

(56) **References Cited**

U.S. PATENT DOCUMENTS

D131,492 S *	3/1942	Lee	D11/78.1
D142,357 S *	9/1945	Younghusband	D11/78.1
D292,677 S *	11/1987	Jordi	D10/31
4,705,408 A *	11/1987	Jordi	368/278
D295,501 S *	5/1988	Brayford	D10/31
D301,017 S *	5/1989	Norman et al.	D10/68
D301,120 S *	5/1989	Alviti	D11/2
D312,415 S *	11/1990	Muller et al.	D10/31
D313,759 S *	1/1991	Nomizu	D10/31
D314,154 S *	1/1991	Dumas	D10/39
D325,876 S *	5/1992	Klepper	D10/31
D386,420 S *	11/1997	Kennedy	D10/30
5,697,127 A *	12/1997	Tyler	24/3.7

5,697,131 A *	12/1997	Hunt et al.	24/563
D390,493 S *	2/1998	Fletcher	D11/78.1
5,970,777 A *	10/1999	Hunt et al.	72/379.2
D416,814 S *	11/1999	Welsh	D10/31
D436,373 S *	1/2001	Mershon	D19/34
D456,280 S *	4/2002	Osterholt et al.	D10/31
6,823,910 B1 *	11/2004	Elnekaveh	150/147
D505,086 S *	5/2005	Fernandez	D10/39
D527,284 S *	8/2006	Buccellati	D10/38
2004/0216825 A1 *	11/2004	Radochonski	150/106

* cited by examiner

Primary Examiner—Lucy Lieberman

(74) *Attorney, Agent, or Firm*—Patwrite LLC; Mark David Torche

(57) **CLAIM**

The ornamental design for a money clip, substantially as shown and described.

DESCRIPTION

FIG. 1 is a front elevational view of a money clip showing my new design:

FIG. 2 is a left side view thereof;

FIG. 3 is a rear view thereof;

FIG. 4 is a right side view thereof; and,

FIG. 5 is a perspective view thereof.

The broken lines are for illustrative purposes only and form no part of the claimed design.

1 Claim, 5 Drawing Sheets

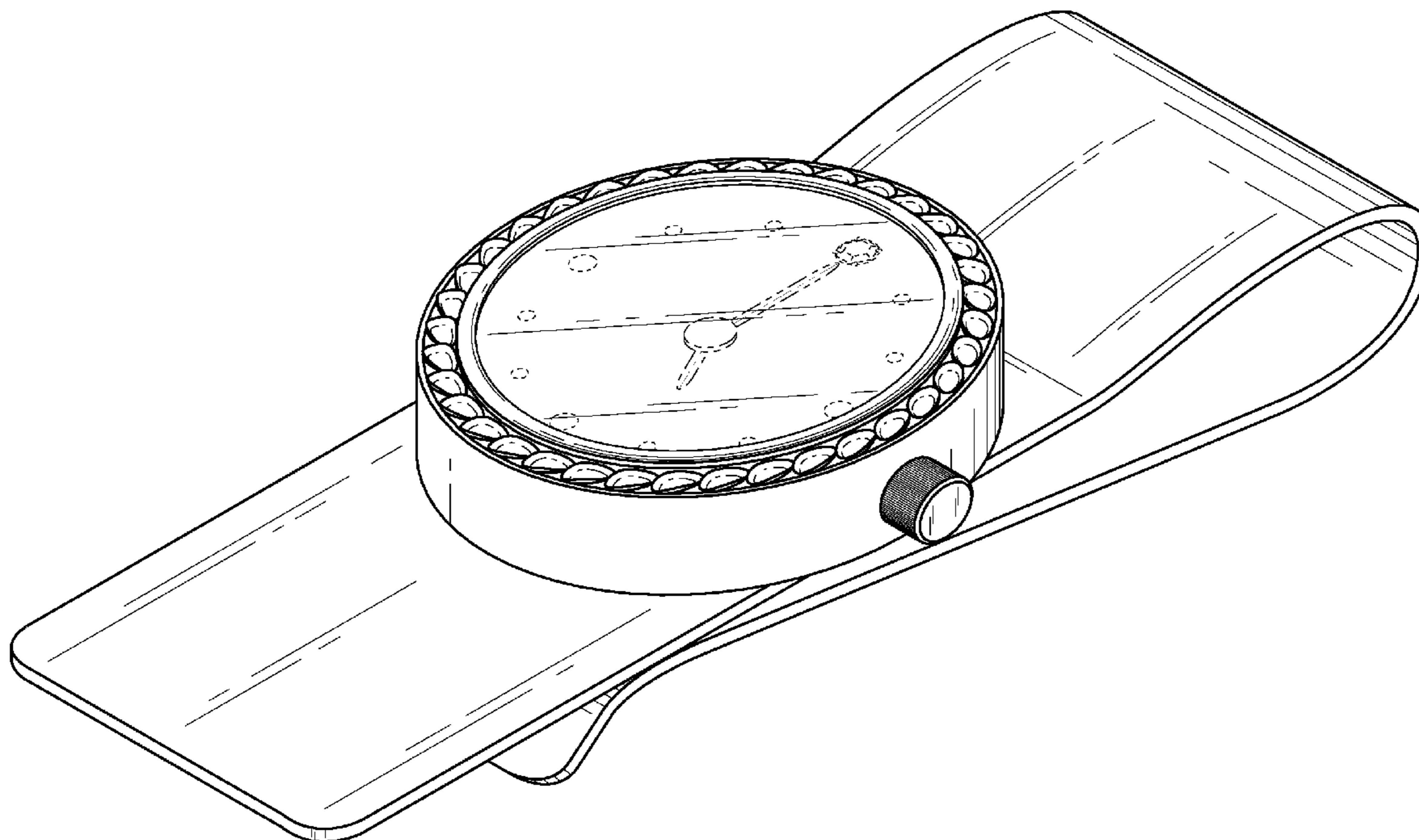


FIG. 1

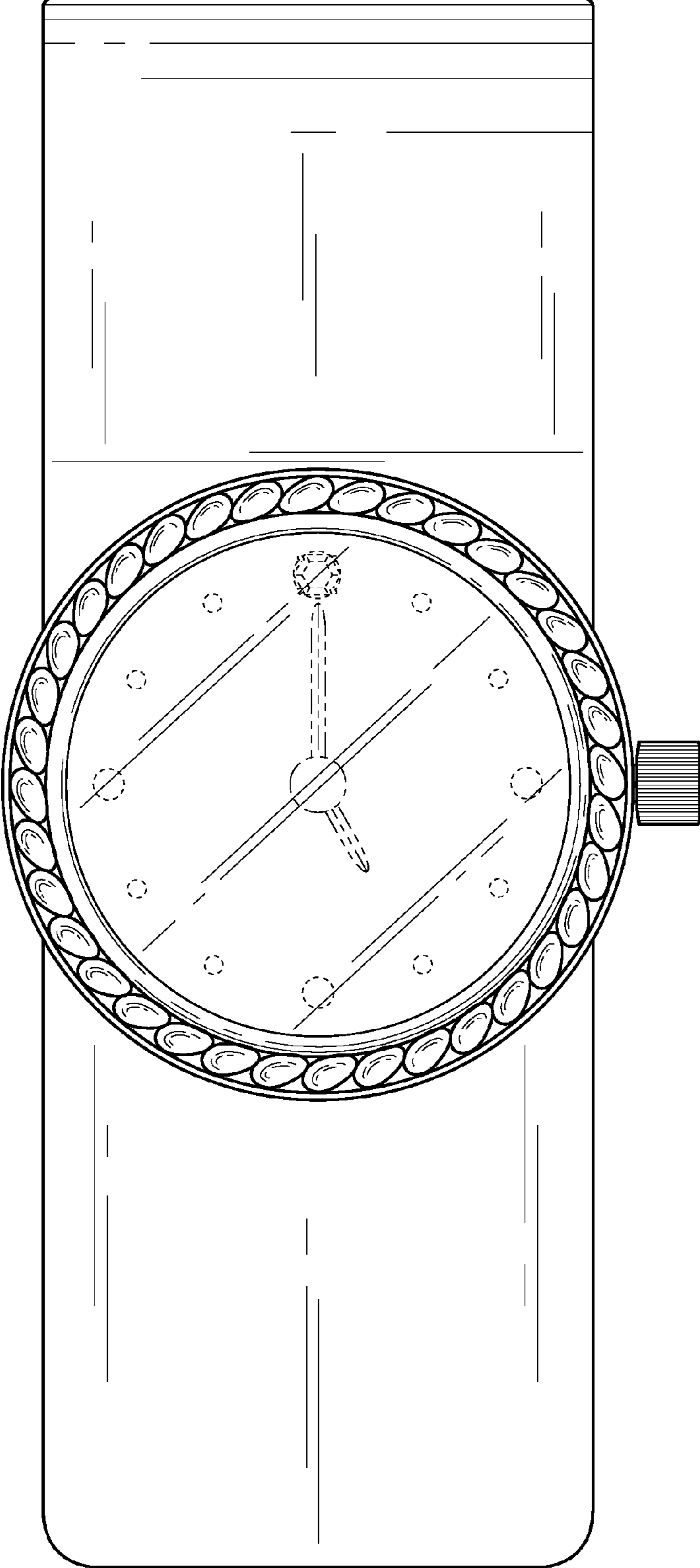


FIG. 2

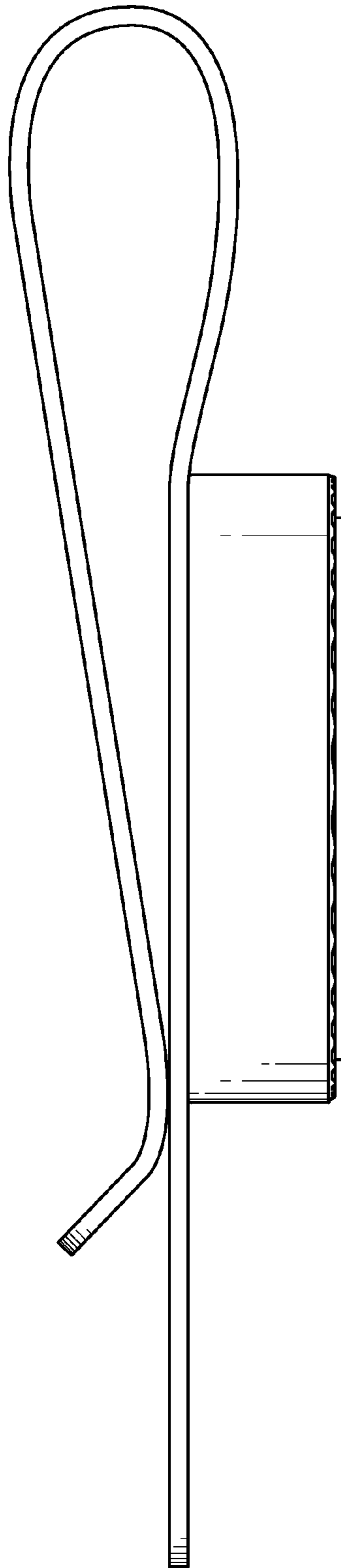


FIG. 3

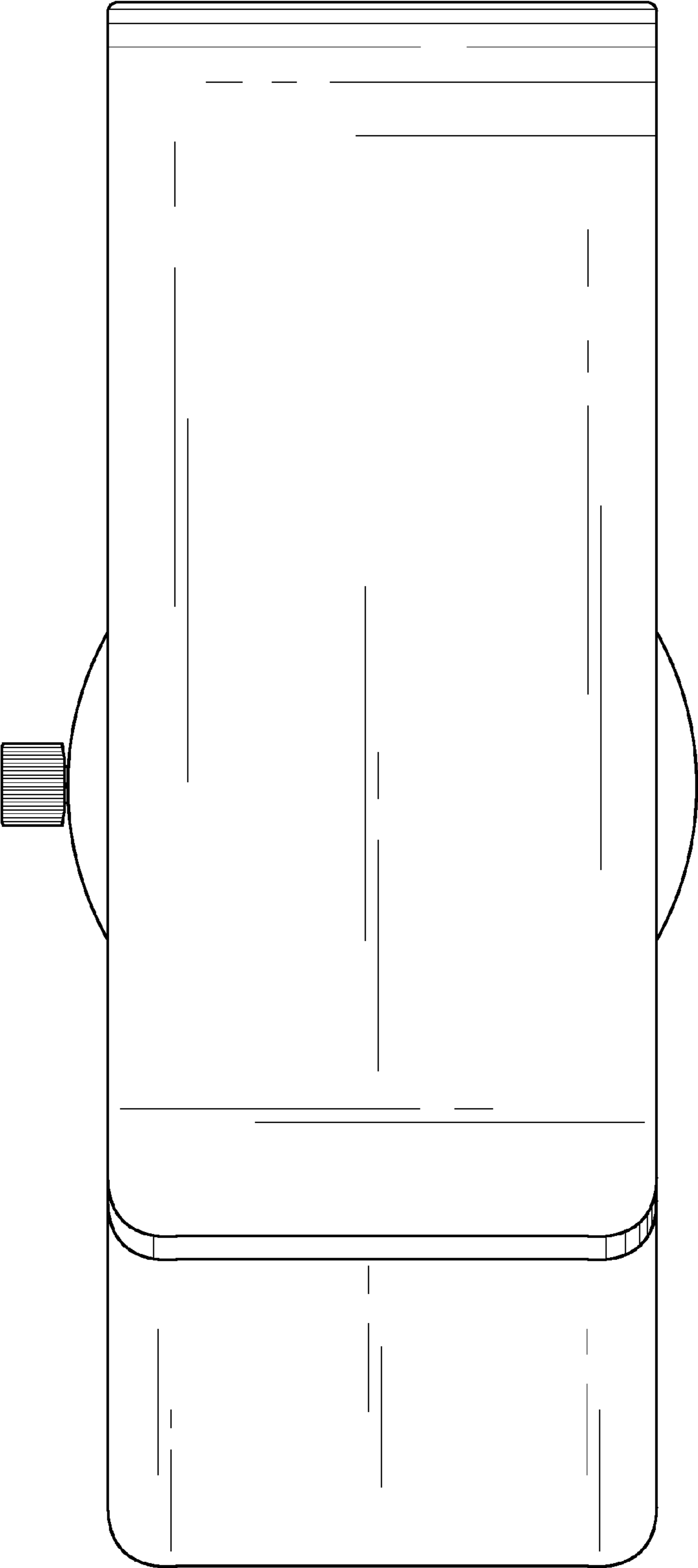
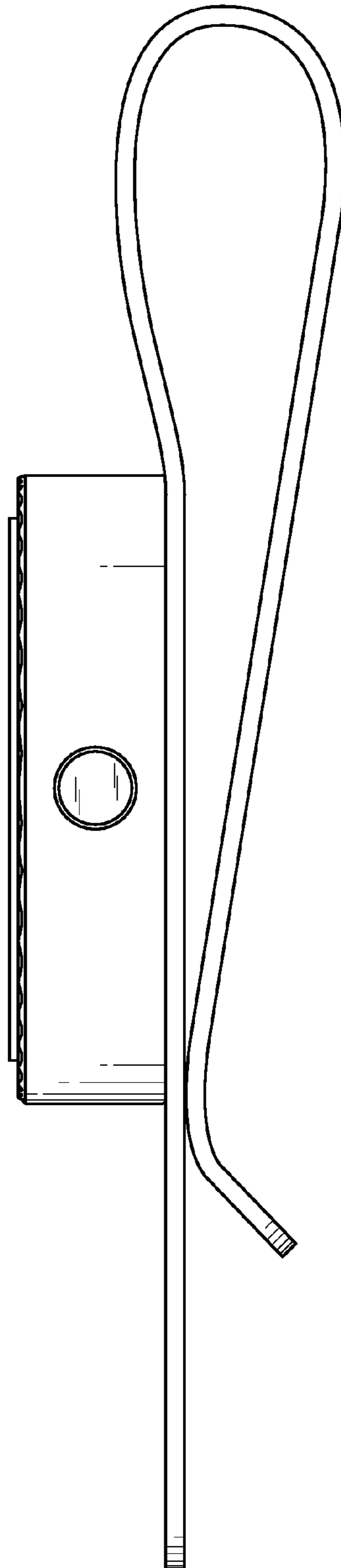


FIG. 4



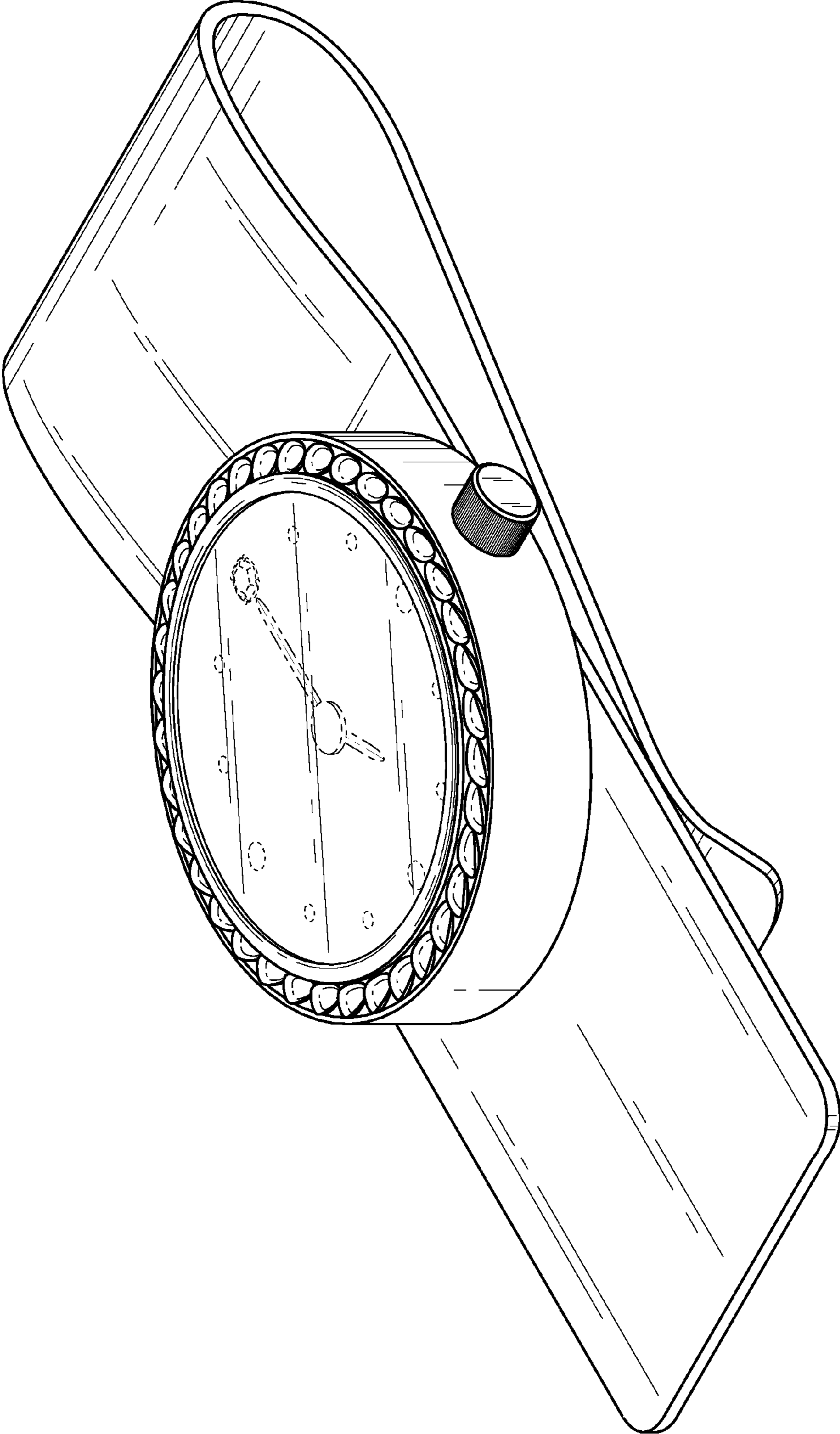


FIG. 5