



US00D596506S

(12) **United States Design Patent**  
**Fernie et al.**

(10) **Patent No.:** **US D596,506 S**  
(45) **Date of Patent:** **\*\* Jul. 21, 2009**

(54) **ALARM CLOCK**

(75) Inventors: **Douglas Fernie**, Cambridgeshire (GB);  
**Paul John Robbins**, Norfolk (GB);  
**Nicholas Ian Harvey**, Norfolk (GB);  
**Richard James Andrews**, Norfolk (GB)

(73) Assignee: **Outside In (Cambridge) Ltd.**,  
Cambridgeshire (GB)

(\*\*) Term: **14 Years**

(21) Appl. No.: **29/328,629**

(22) Filed: **Nov. 26, 2008**

(30) **Foreign Application Priority Data**

Jul. 31, 2008 (EP) ..... 000980107

(51) **LOC (9) Cl.** ..... **10-01**

(52) **U.S. Cl.** ..... **D10/1; D10/15; D10/23**

(58) **Field of Classification Search** ..... D10/1–29;  
368/276, 285, 316, 317, 250–259, 239–242,  
368/82–84, 29, 30

See application file for complete search history.

(56) **References Cited**

**U.S. PATENT DOCUMENTS**

D97,453 S	11/1935	Bars	
D149,079 S *	3/1948	Lux	D10/23
D190,749 S	6/1961	Marti	
D238,170 S	12/1975	Schmidt	
D240,270 S	6/1976	Kawano	
D245,198 S	7/1977	Terada et al.	
D276,703 S	12/1984	Au	
D319,589 S *	9/1991	Unruh et al.	D10/23
D347,182 S	5/1994	Wada	
5,425,006 A *	6/1995	Ya	368/262
D370,179 S *	5/1996	Mukoyama	D10/28
D384,957 S *	10/1997	Lee	D14/171

D412,909 S *	8/1999	Wang	D14/141.3
D415,431 S *	10/1999	Duke	D10/15
D437,236 S *	2/2001	Hargrove, III	D10/15
D450,049 S *	11/2001	Lacotta et al.	D14/171
D450,598 S *	11/2001	Chan	D10/4
D486,073 S *	2/2004	Morgan	D10/18
D491,073 S *	6/2004	Chan	D10/15
D500,296 S *	12/2004	Zeitman	D14/144
D525,880 S	8/2006	Okamura	
D585,766 S *	2/2009	Fernie et al.	D10/15

\* cited by examiner

*Primary Examiner*—Lucy Lieberman

(74) *Attorney, Agent, or Firm*—Knobbe Martens Olson & Bear LLP

(57) **CLAIM**

The ornamental design for an alarm clock, as shown and described.

**DESCRIPTION**

FIG. 1 is a front, top and right side perspective view of an alarm clock showing our new design;

FIG. 2 is a front side elevational view of the alarm clock of FIG. 1;

FIG. 3 is a rear side elevational view of the alarm clock of FIG. 1;

FIG. 4 is a top plan view thereof;

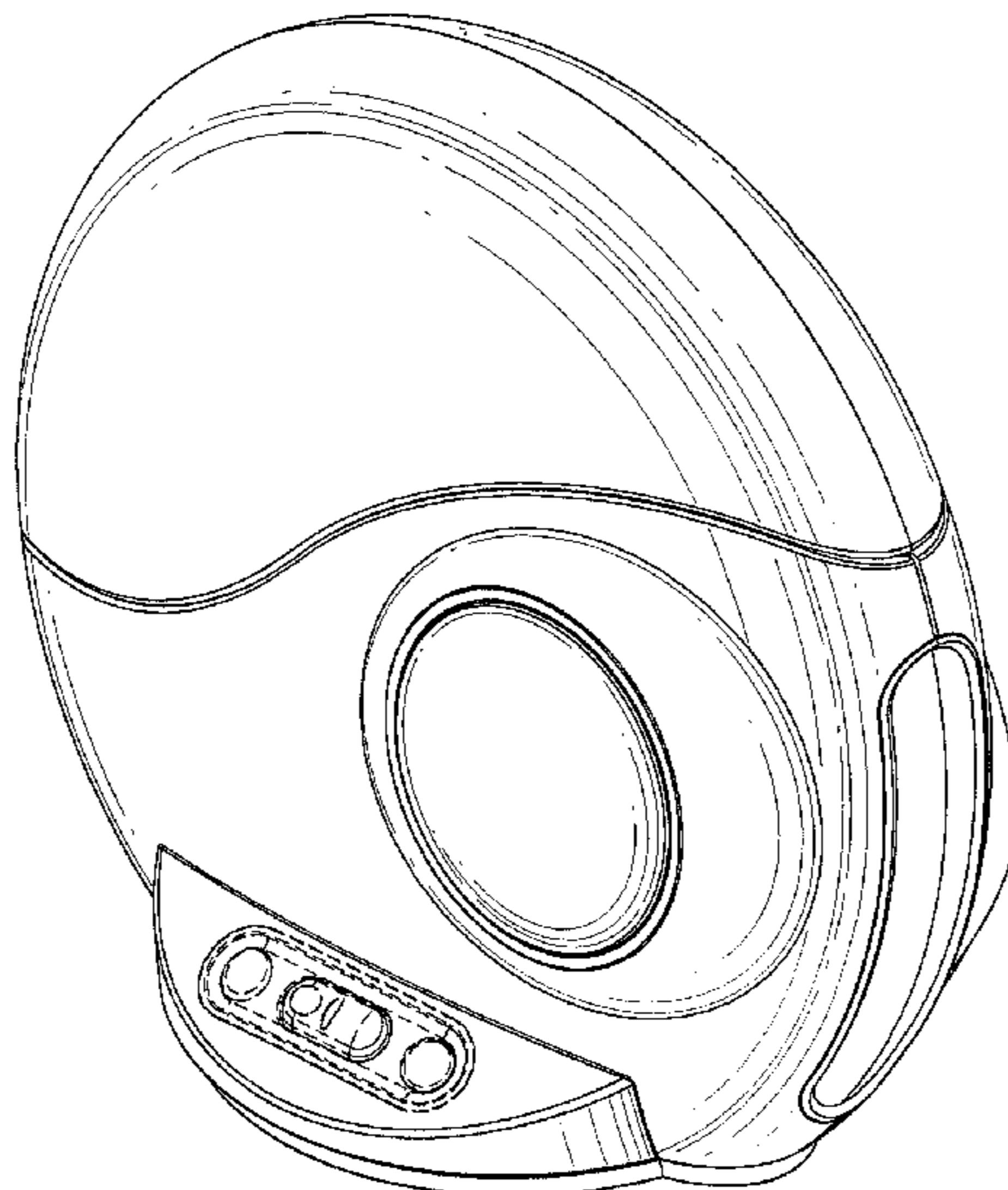
FIG. 5 is a bottom plan view thereof;

FIG. 6 is a left side elevational view of the alarm clock of FIG. 1; and,

FIG. 7 is a right side elevational view of the alarm clock of FIG. 1.

The broken lines of FIGS. 1–7 are for the purpose of illustrating structure of the alarm clock that form no part of the claimed design and that are unclaimed subject matter.

**1 Claim, 5 Drawing Sheets**



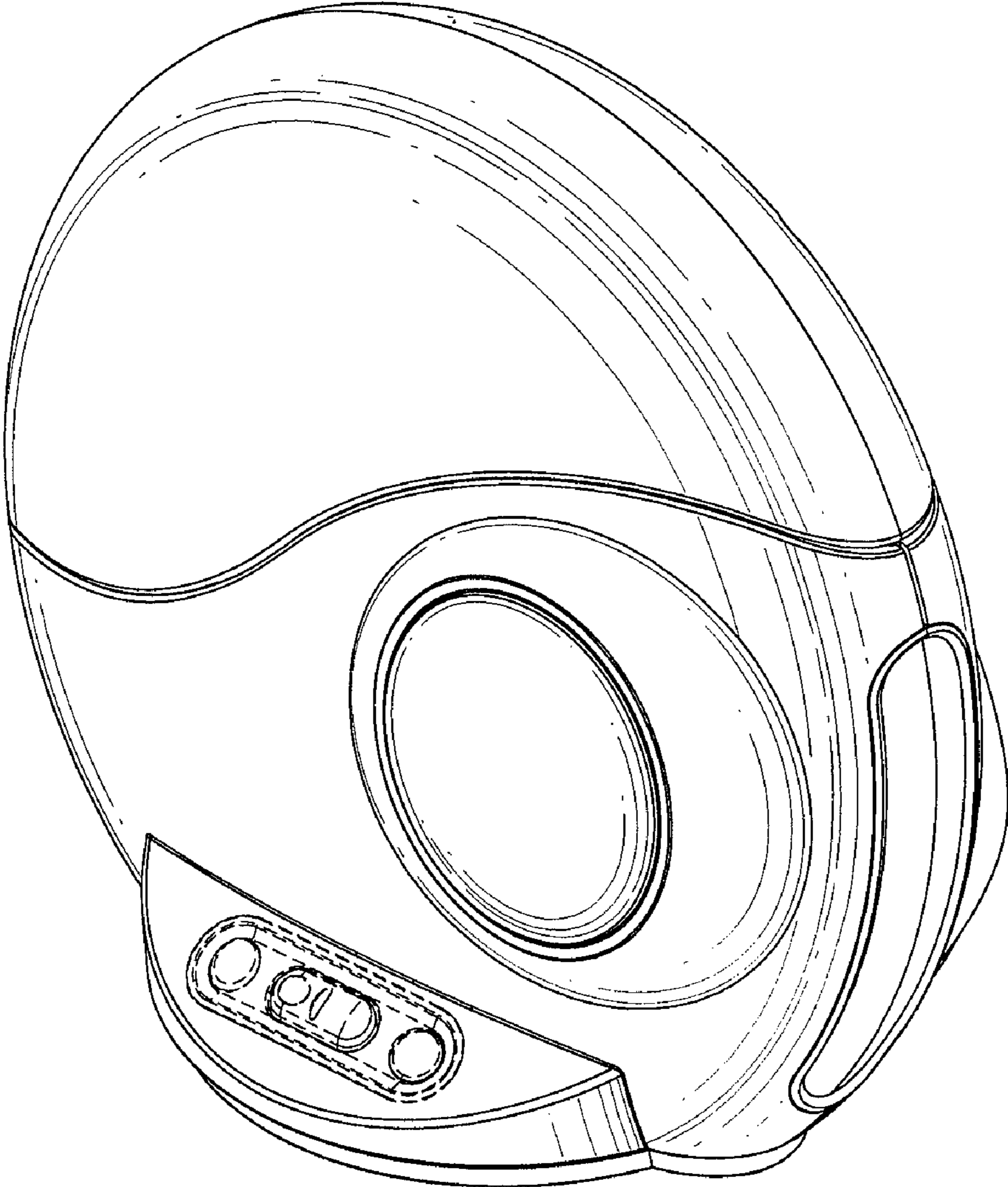


FIG. 1

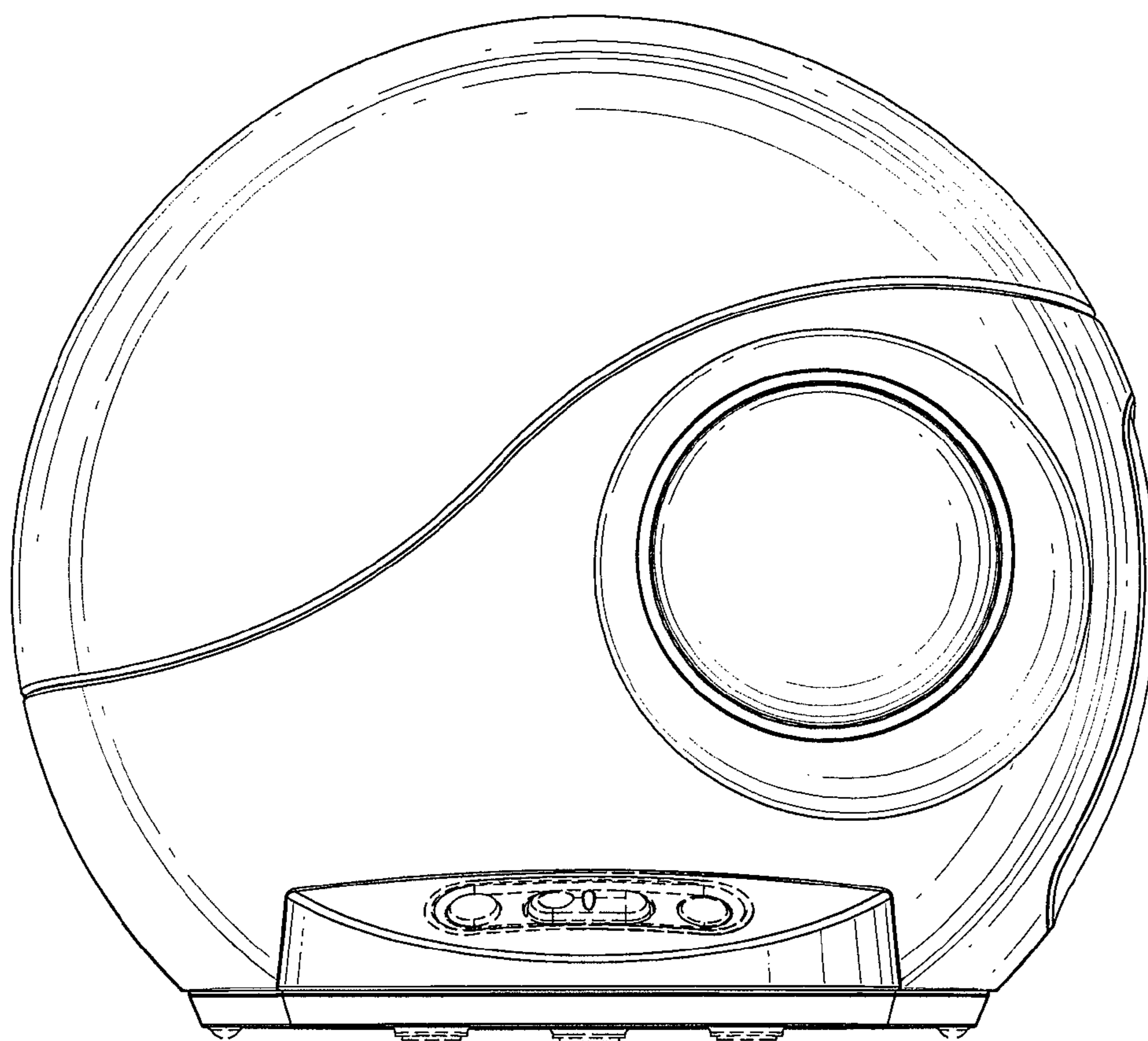


FIG. 2

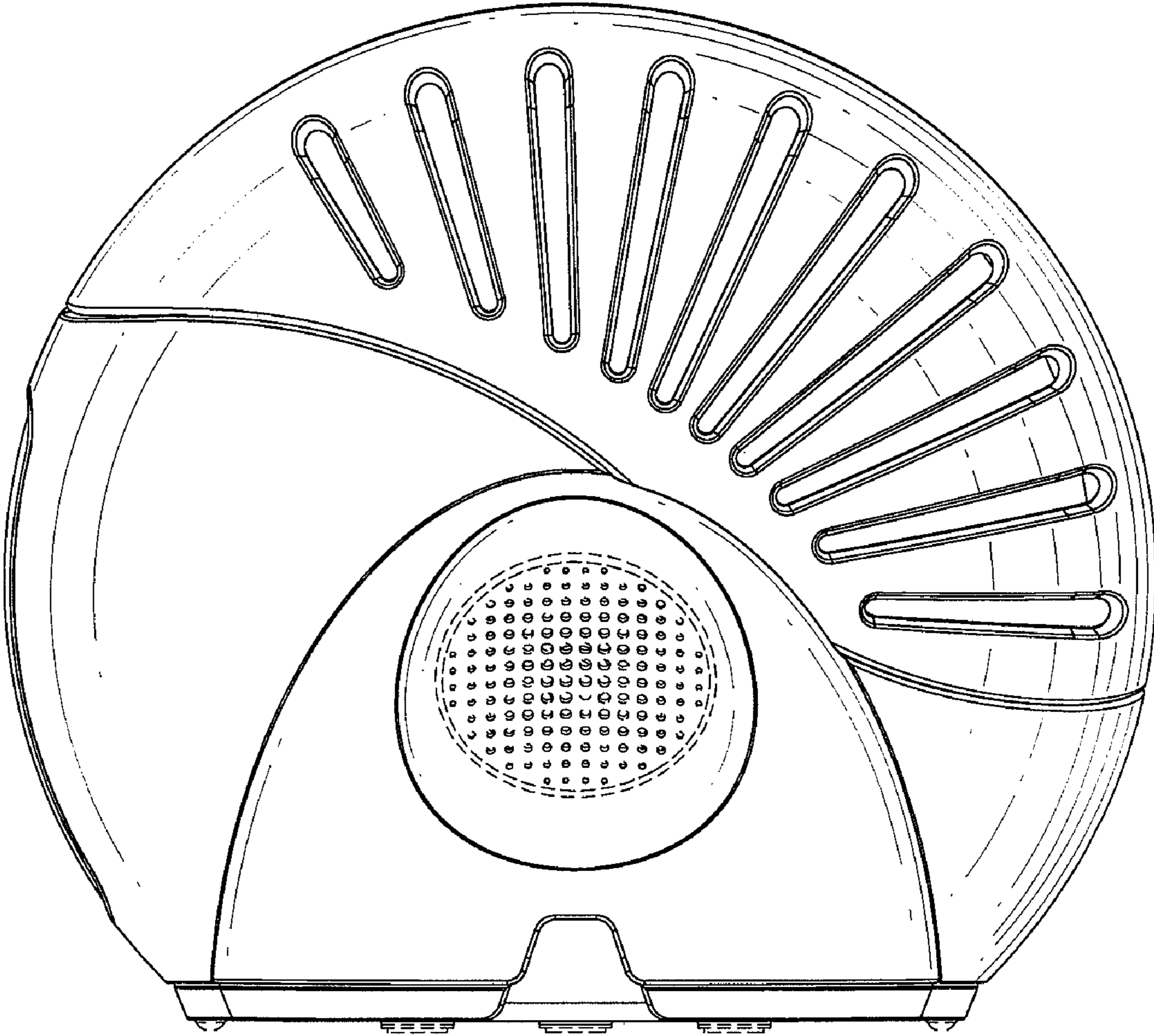


FIG. 3

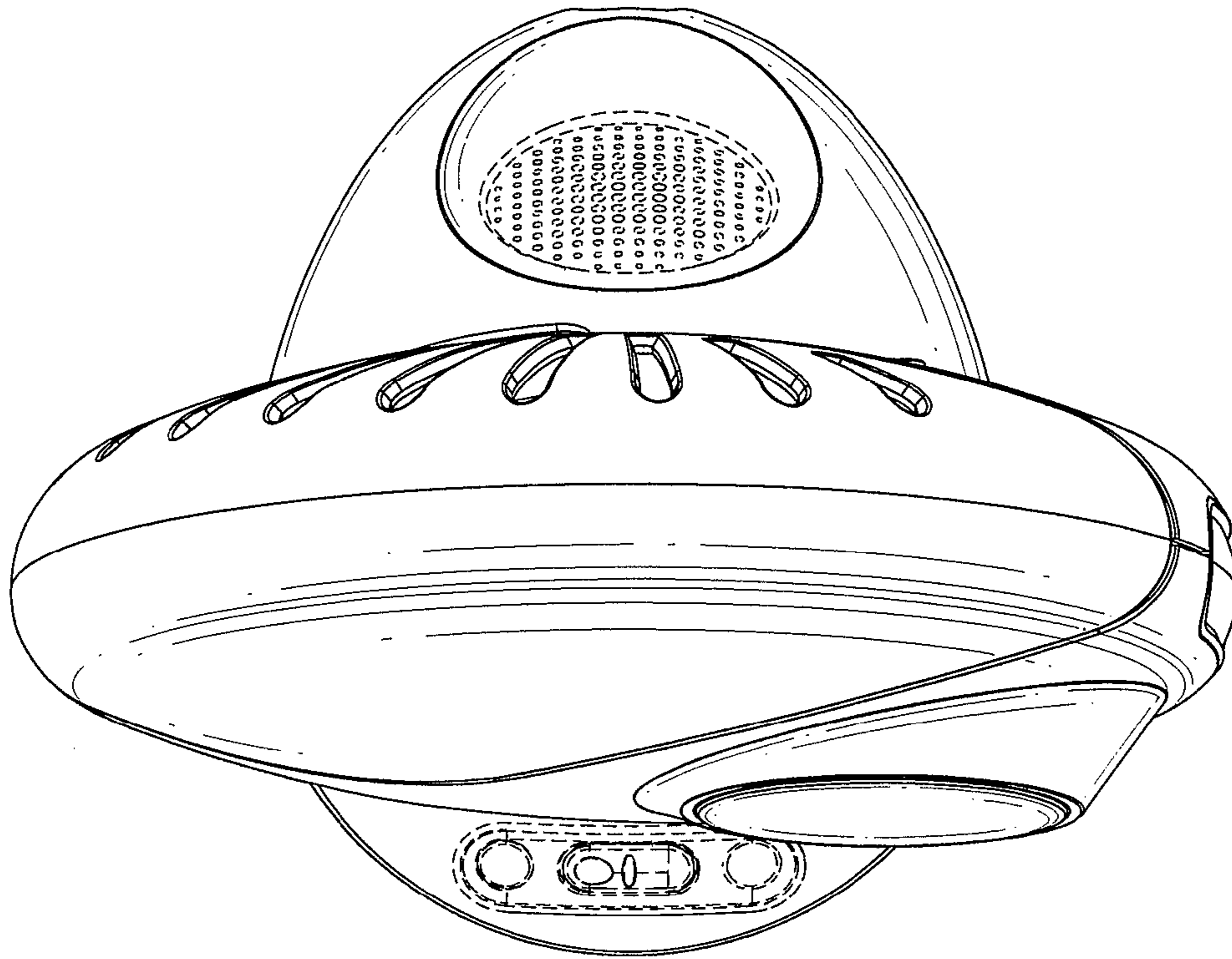


FIG. 4

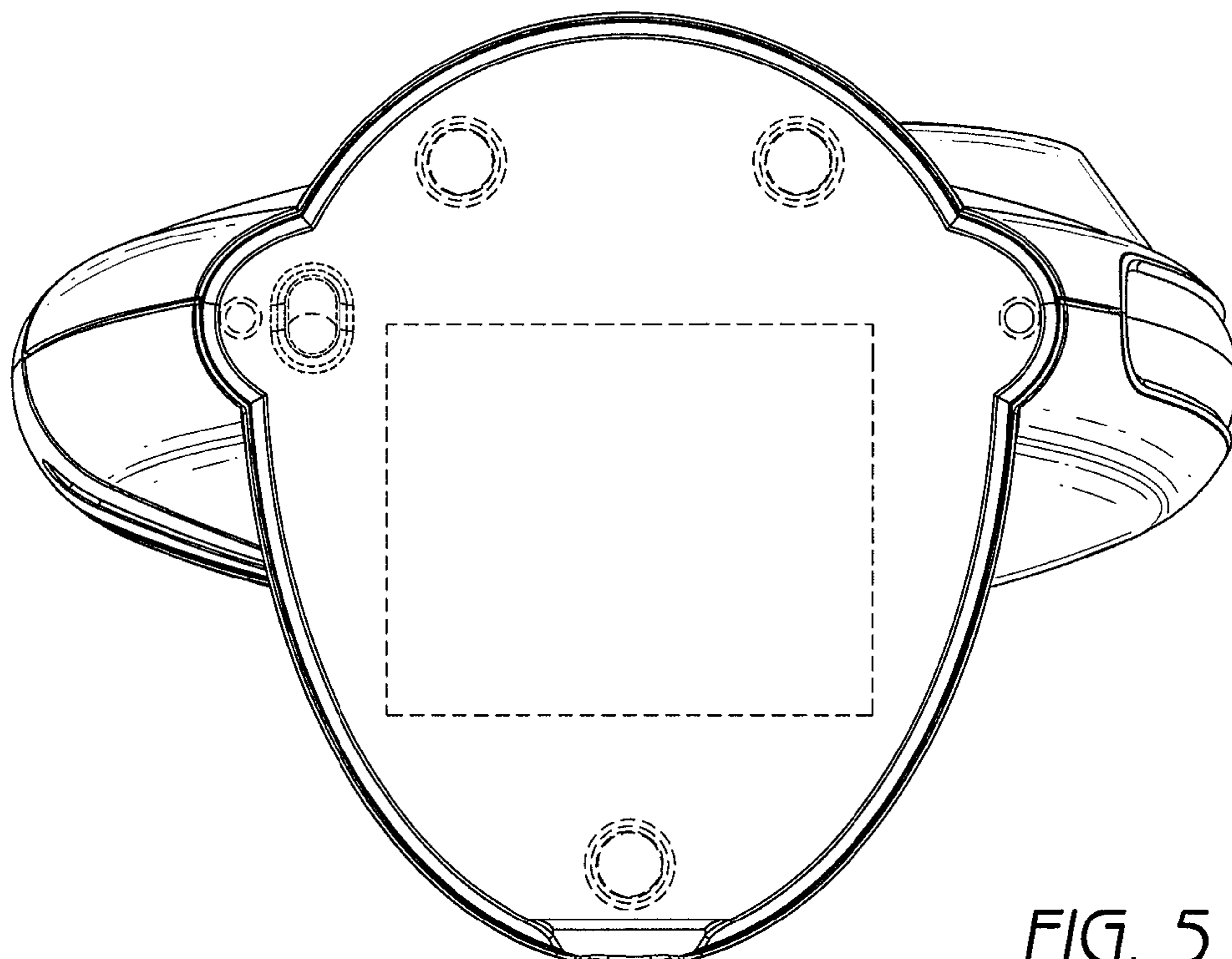


FIG. 5

FIG. 6

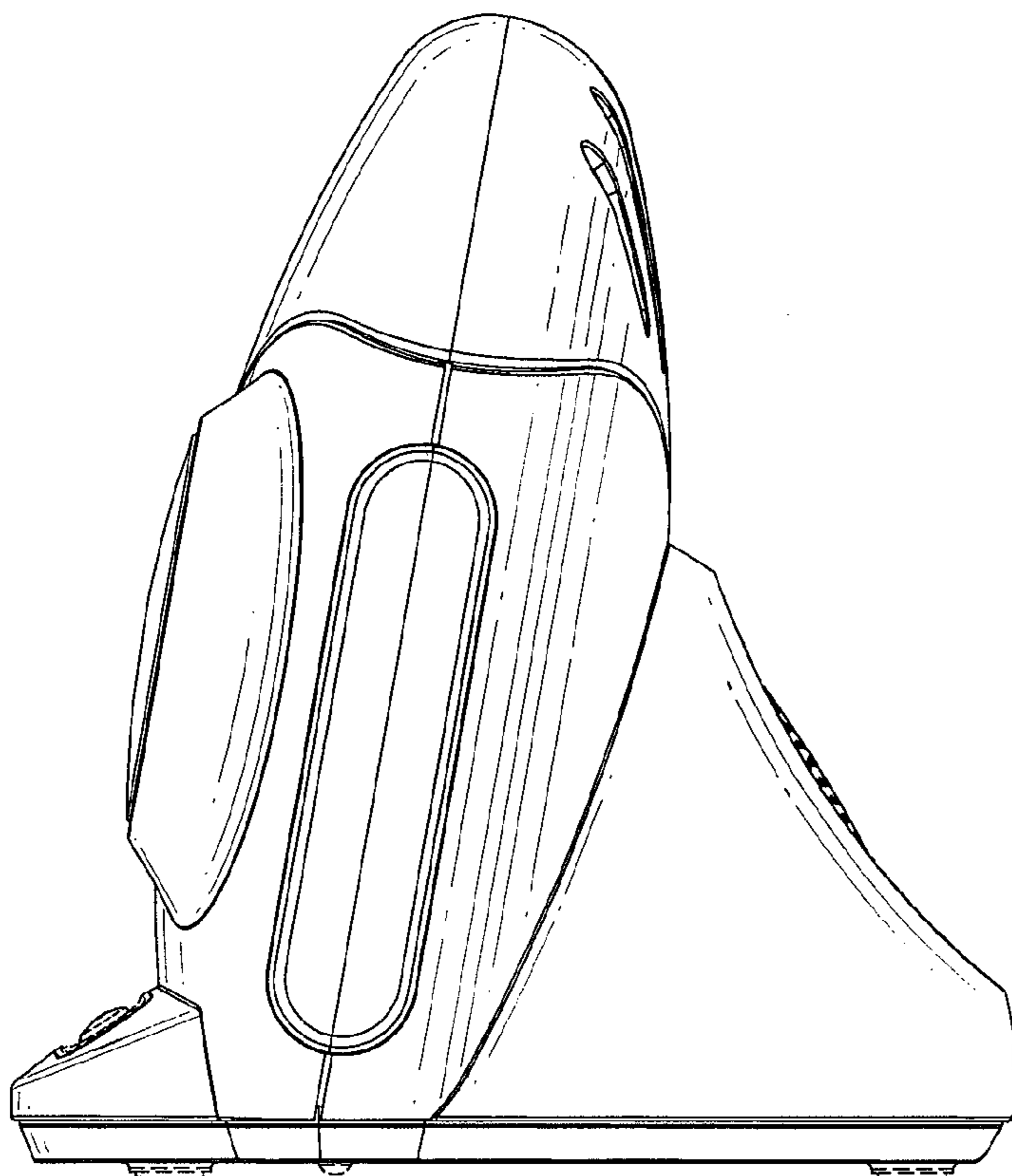


FIG. 7