

US00D596498S

(12) **United States Design Patent**  
**Kim**

(10) **Patent No.:** **US D596,498 S**  
(45) **Date of Patent:** **\*\* Jul. 21, 2009**

(54) **TIE BOX**

(75) Inventor: **Cin Kim**, Alpine, NJ (US)

(73) Assignee: **Peacock Apparel Group, Inc.**, New York, NY (US)

(\*\*) Term: **14 Years**

(21) Appl. No.: **29/320,241**

(22) Filed: **Jun. 24, 2008**

(51) **LOC (9) Cl.** ..... **09-01**

(52) **U.S. Cl.** ..... **D9/721**

(58) **Field of Classification Search** ..... D9/414,  
D9/415, 418, 423, 430, 432; D2/602, 605-607,  
D2/716, 769, 771, 786, 791, 812, 820, 836,  
D2/839, 857; D3/272; D6/300; 2/49.2,  
2/69, 137-139, 144-157; 229/87.15, 125.08,  
229/136, 160, 161, 240, 275, 863, 864  
See application file for complete search history.

(56) **References Cited**

**U.S. PATENT DOCUMENTS**

- 3,043,494 A \* 7/1962 Moore ..... 229/161
- D261,479 S \* 10/1981 Marks ..... D3/272
- 4,762,272 A \* 8/1988 Herrin ..... 229/125.08
- D343,356 S \* 1/1994 Wittman ..... D9/415
- D368,588 S \* 4/1996 Goraleski et al. .... D6/300

- 7,096,509 B2 \* 8/2006 Kim ..... 2/145
- D546,674 S \* 7/2007 Limber ..... D9/432
- D553,495 S \* 10/2007 Vandecasteele et al. .... D9/432
- D574,722 S \* 8/2008 Kim ..... D9/721

\* cited by examiner

*Primary Examiner*—Stella M Reid

*Assistant Examiner*—Shanda C Hill

(74) *Attorney, Agent, or Firm*—Leason Ellis LLP

(57) **CLAIM**

The ornamental design for a tie box, as shown and described.

**DESCRIPTION**

FIG. 1 is a top, front and side perspective view of a tie box showing my new design;

FIG. 2 is a front elevation view thereof;

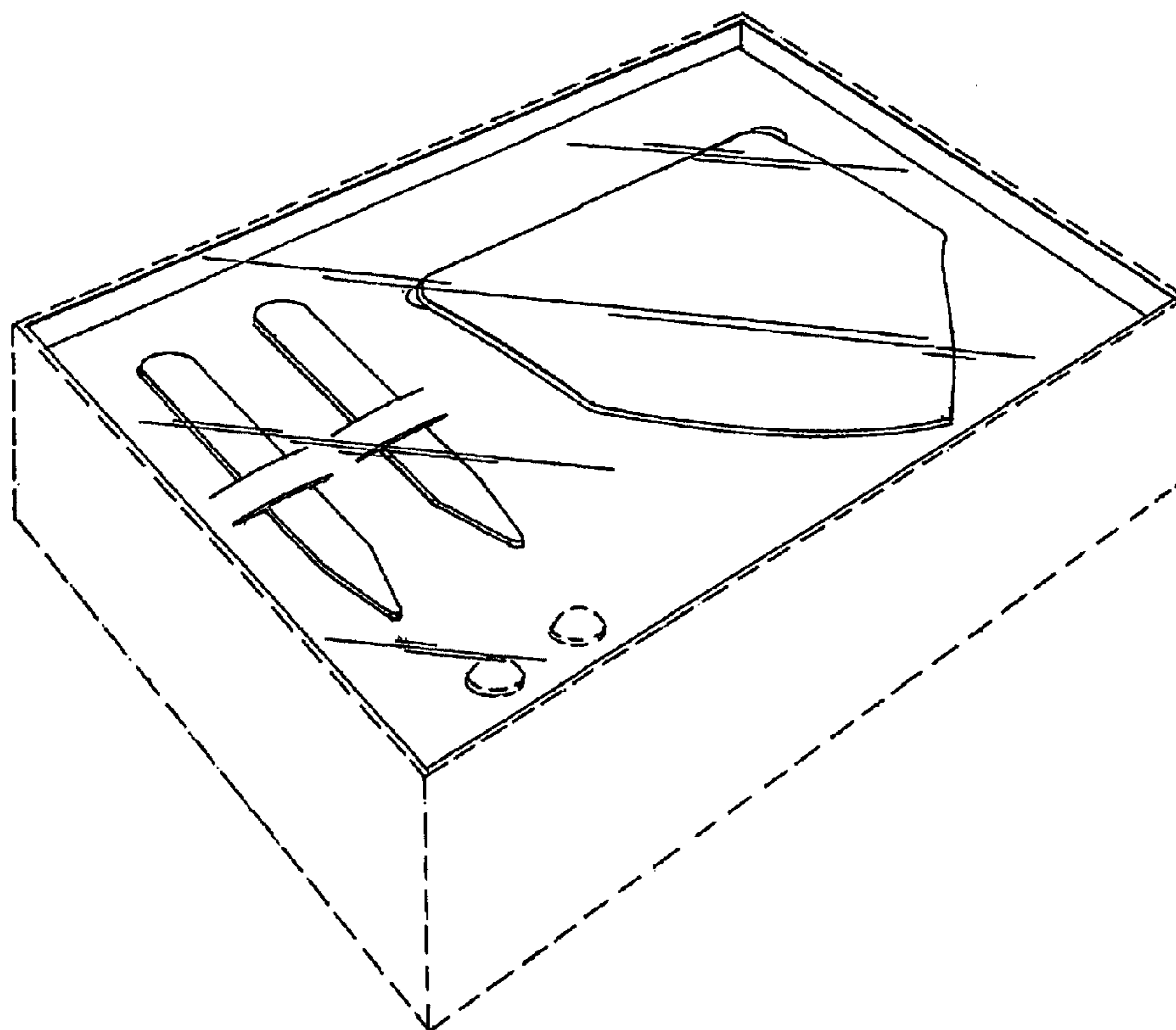
FIG. 3 is left side elevation view thereof, the right side being a mirror image thereof;

FIG. 4 is a top plan view thereof; and,

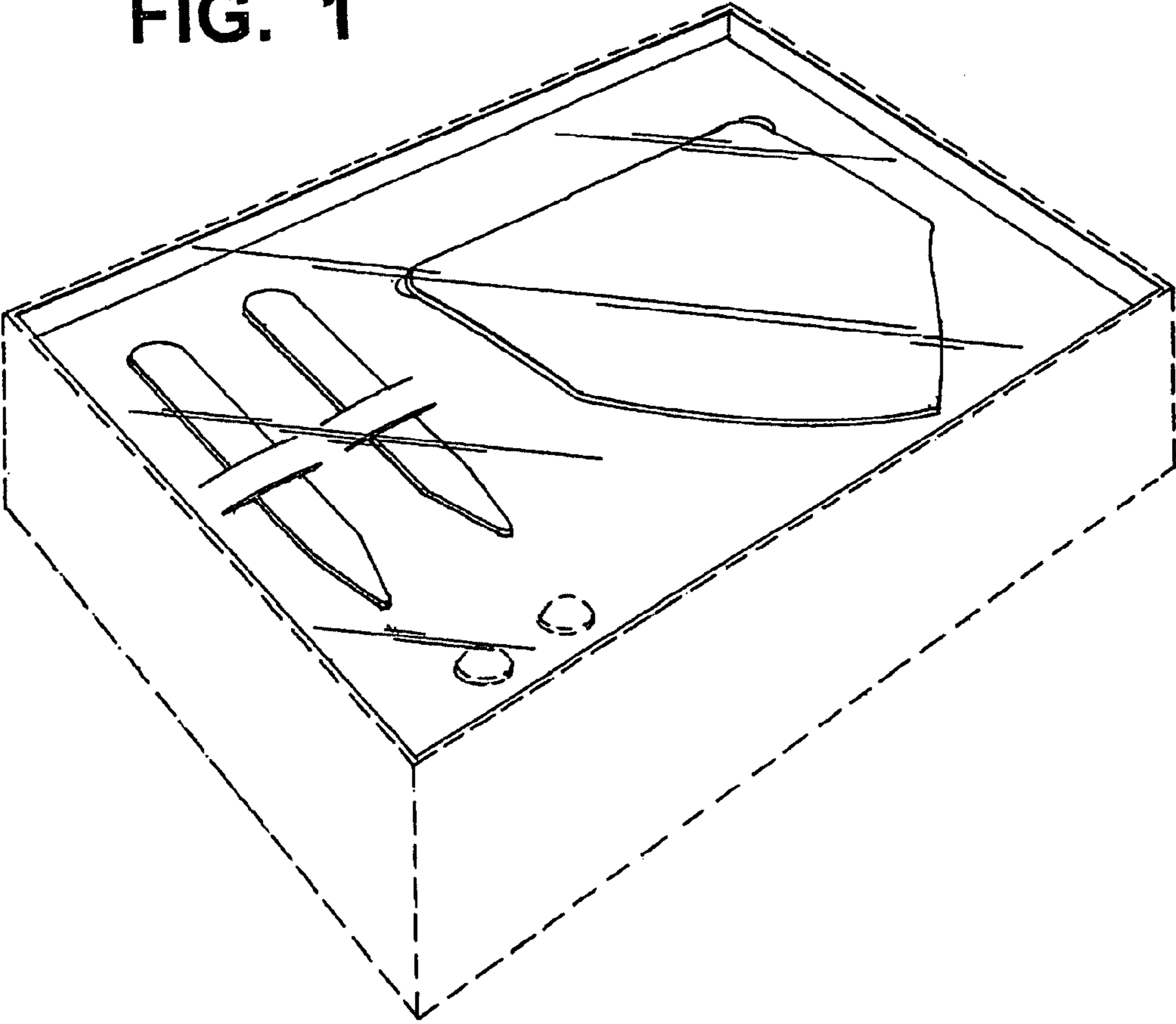
FIG. 5 is a bottom plan view thereof.

The broken line showing walls of the box and cuff links is for illustrative purposes only and forms no part of the claimed design. All sides not shown form no part of the claimed design.

**1 Claim, 2 Drawing Sheets**



**FIG. 1**



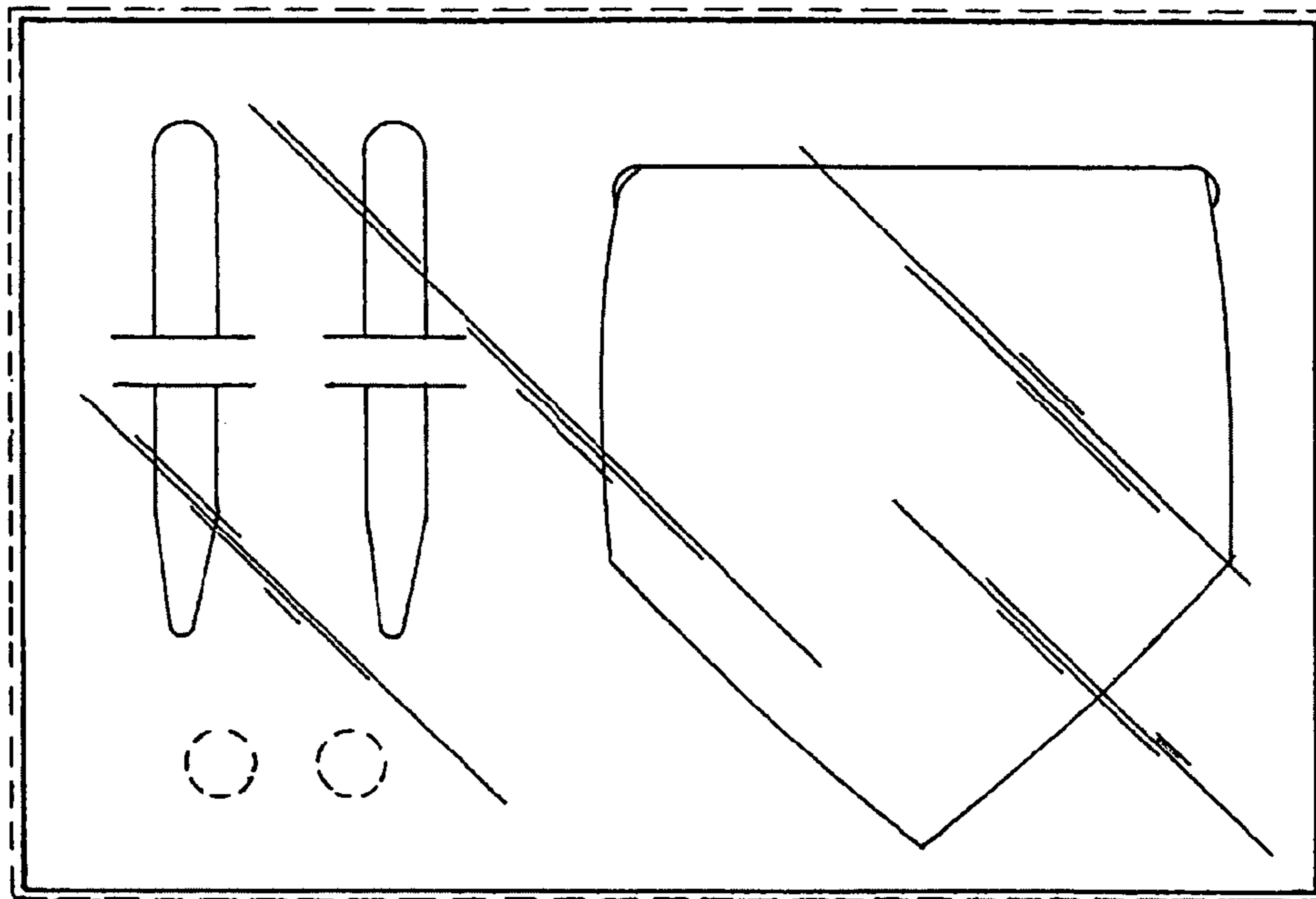
**FIG. 2**





**FIG. 3**

**FIG. 4**



**FIG. 5**

